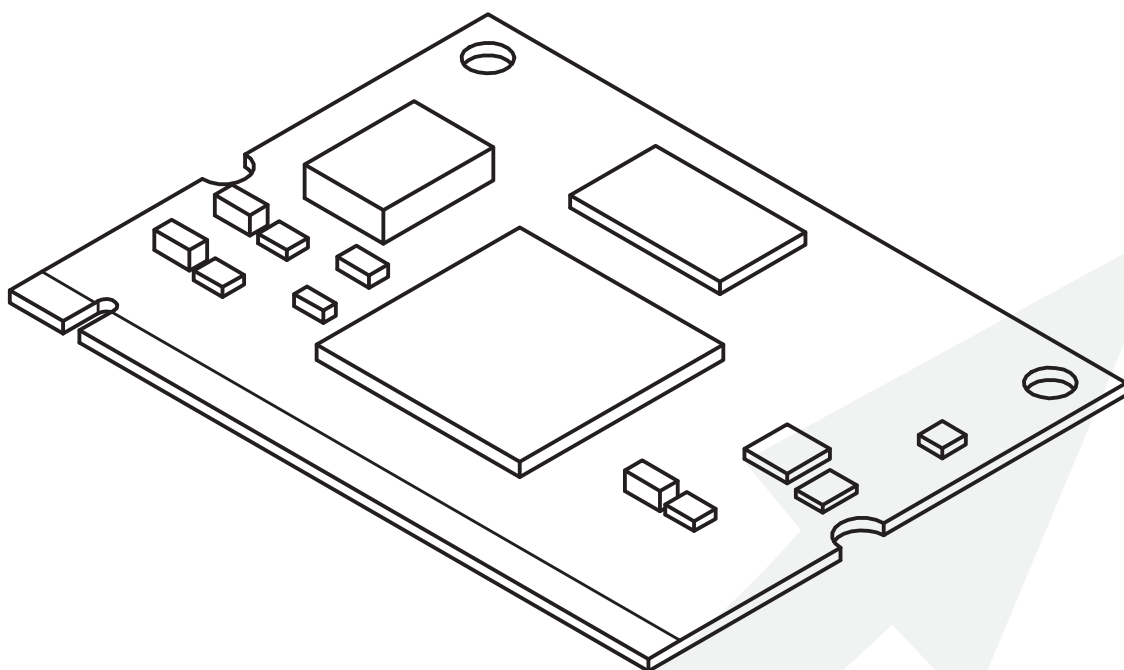


ANM88



ADDITIONAL INFORMATION

This manual is put together with much care, and is as complete as could be on the publication date. However, updates on the specifications, functionality or software may have occurred since publication. To obtain the latest version of both manual and software, please visit the Audac website @ audac.eu.



Table of contents



Introduction	05
Dante™/AES67 networked audio module with 8x8 license for LUNA-U	05
Precautions	06
Chapter 1	08
Network settings	08
Chapter 2	09
Installation	09
Updating the system	12
Technical specifications	13
Notes	14

Introduction

Dante™/AES67 networked audio module with 8x8 license for LUNA-U

The ANM88 is a hardware extension card that makes a LUNA-U audio matrix processor a Dante™/AES67 enabled device. It comes with 8x8 Dante™/AES67 channels and can be expanded with additional software extension SL-NAC8 for additional networked audio channels. The LUNA-U is limited to a maximum of 32x32 channels.

READ FOLLOWING INSTRUCTIONS FOR YOUR OWN SAFETY

ALWAYS KEEP THESE INSTRUCTIONS. NEVER THROW THEM AWAY

ALWAYS HANDLE THIS UNIT WITH CARE

HEED ALL WARNINGS

FOLLOW ALL INSTRUCTIONS

NEVER EXPOSE THIS EQUIPMENT TO RAIN, MOISTURE, ANY DRIPPING OR SPLASHING LIQUID. AND NEVER PLACE AN OBJECT FILLED WITH LIQUID ON TOP OF THIS DEVICE

NO NAKED FLAME SOURCES, SUCH AS LIGHTED CANDLES, SHOULD BE PLACED ON THE APPARATUS

DO NOT PLACE THIS UNIT IN AN ENCLOSED ENVIRONMENT SUCH AS A BOOKSHELF OR CLOSET. ENSURE THERE IS ADEQUATE VENTILATION TO COOL THE UNIT. DO NOT BLOCK THE VENTILATION OPENINGS.

DO NOT STICK ANY OBJECTS THROUGH THE VENTILATION OPENINGS.

DO NOT INSTALL THIS UNIT NEAR ANY HEAT SOURCES SUCH AS RADIATORS OR OTHER APPARATUS THAT PRODUCE HEAT

DO NOT PLACE THIS UNIT IN ENVIRONMENTS WHICH CONTAIN HIGH LEVELS OF DUST, HEAT, MOISTURE OR VIBRATION

THIS UNIT IS DEVELOPED FOR INDOOR USE ONLY. DO NOT USE IT OUTDOORS

PLACE THE UNIT ON A STABLE BASE OR MOUNT IT IN A STABLE RACK

ONLY USE ATTACHMENTS & ACCESSORIES SPECIFIED BY THE MANUFACTURER

USE THE APPARATUS ONLY IN MODERATE CLIMATES



CAUTION - SERVICING

This product contains no user serviceable parts. Refer all servicing to qualified service personnel. Do not perform any servicing (unless you are qualified to)



EC DECLARATION OF CONFORMITY

This product conforms to all the essential requirements and further relevant specifications described in following directives: 2014/30/EU (EMC) & 2014/35/EU (LVD).



WASTE ELECTRICAL AND ELECTRONIC EQUIPMENT (WEEE)

The WEEE marking indicates that this product should not be disposed with regular household waste at the end of its life cycle. This regulation is created to prevent any possible harm to the environment or human health.

This product is developed and manufactured with high quality materials and components which can be recycled and/or reused. Please dispose this product at your local collection point or recycling centre for electrical and electronic waste. This will make sure that it will be recycled in an environmentally friendly manner, and will help to protect the environment in which we all live.

Network settings

STANDARD NETWORK SETTINGS

DHCP: **ON**

IP Address: Depending on DHCP

Subnet Mask: 255.255.255.0 (Depending on DHCP)

Gateway: 192.168.0.253 (Depending on DHCP)

DNS 1: 8.8.4.4 (Depending on DHCP)

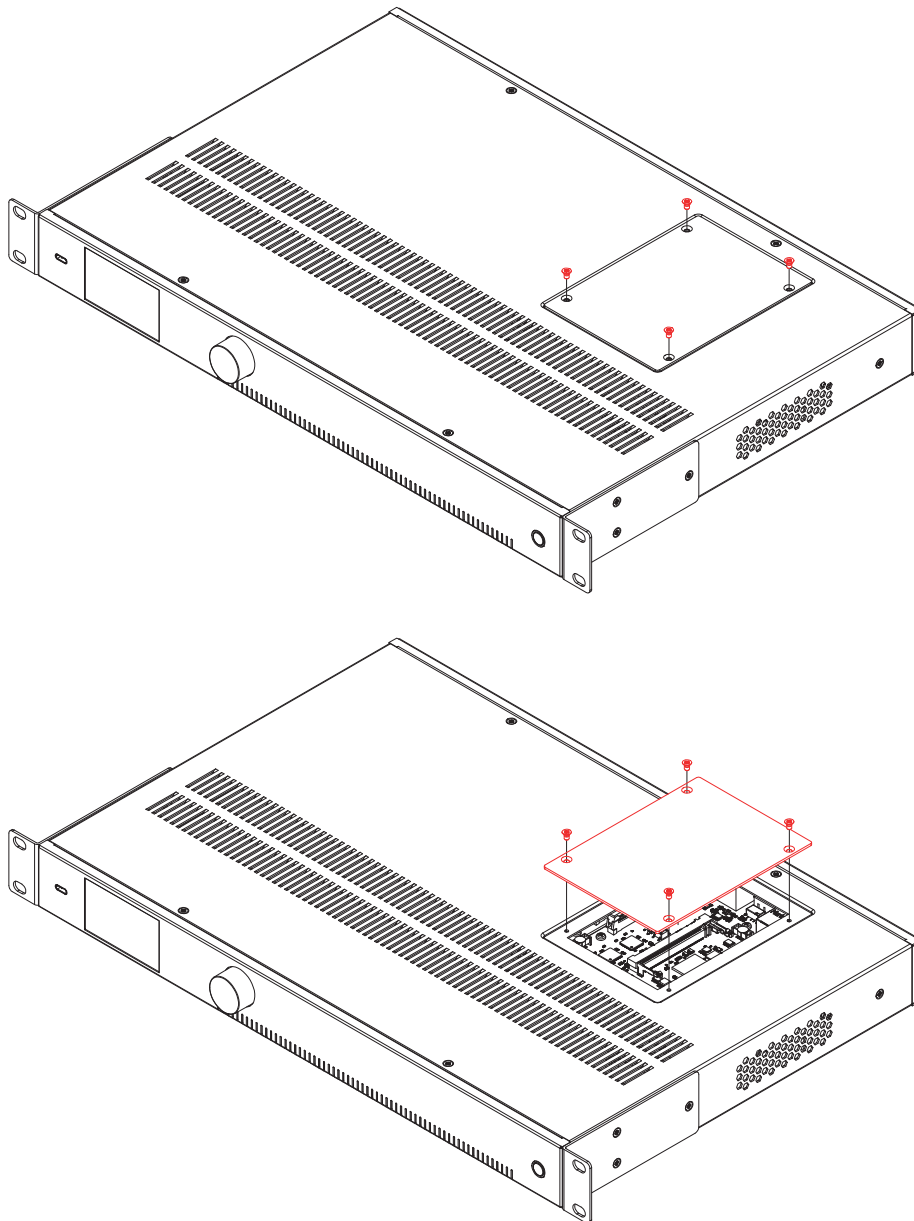
DNS 2: 8.8.8.8 (Depending on DHCP)

CAUTION

Before installing the Dante Brooklyn 3 module to LUNA-U, make sure the power is switched off and the power cord is disconnected. Malfunctions or electrical shocks may occur otherwise.

Step 1:

Make sure that the slot where the module should be installed is open and ready for installation. The corresponding slot can be reached by releasing the four screws on the cover panel located on top of the LUNA-U.

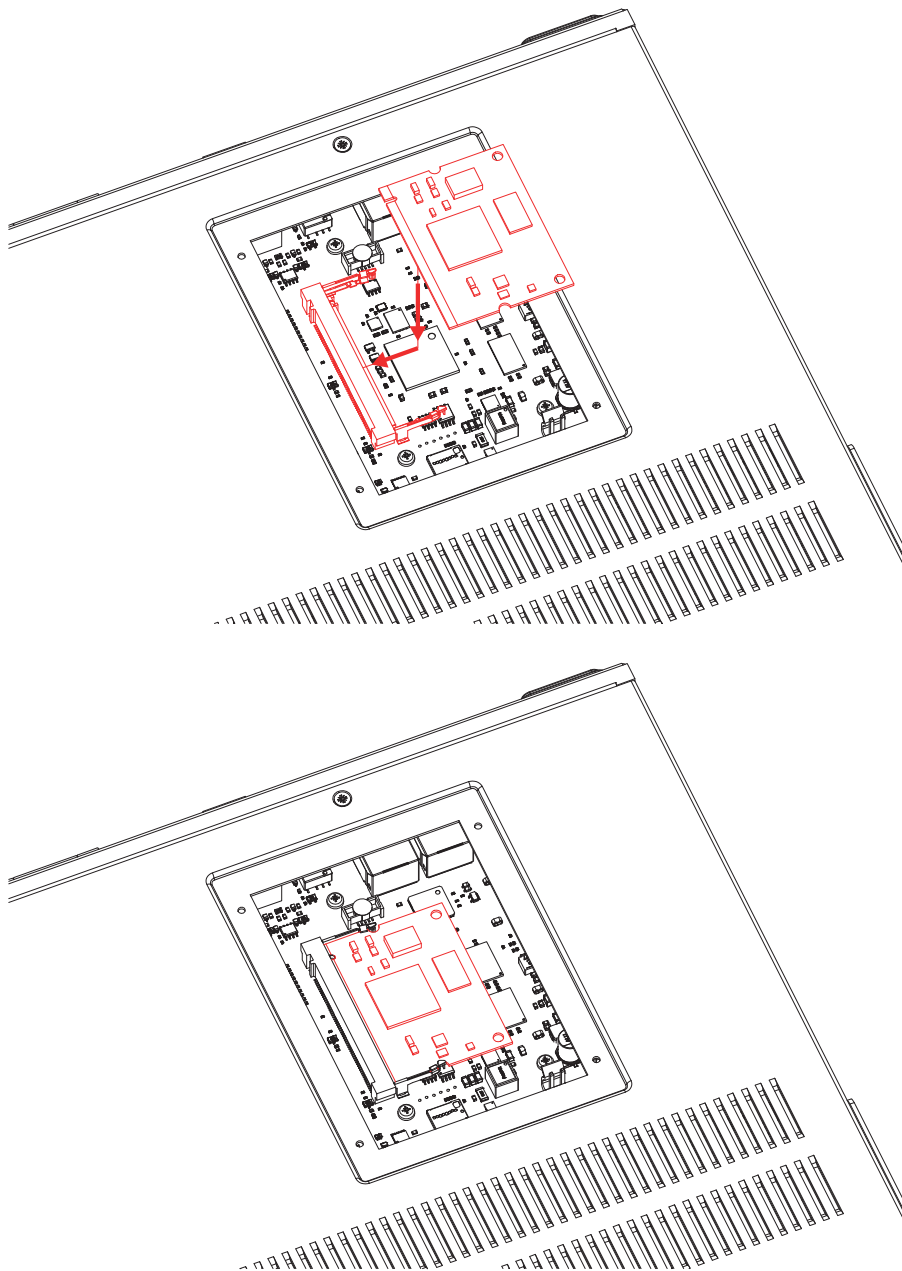


Step 2:

Before removing the module from its protective box, we recommend touching a grounded metal chassis (or any other grounded point) and during the installation wearing a grounded EAS wristband to prevent electrostatic discharges affecting the sensitive electronic components. It is recommended to always hold the module card by the metal connection panel and avoid touching the components on the circuit board directly.

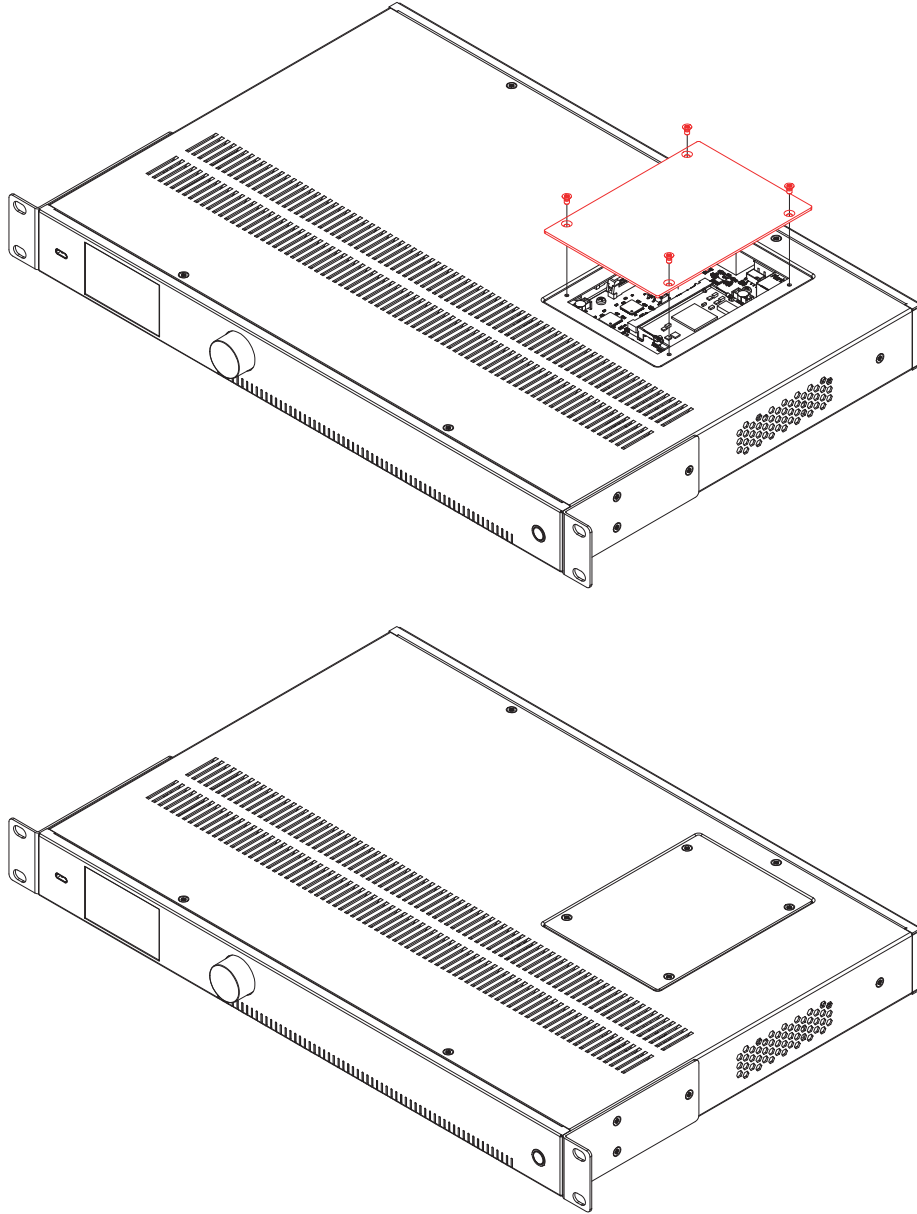
Step 3:

Align both edges of the module with the slot and carefully insert the module into the slot. It should slide into the slot without any considerable resistance when well positioned into the guide rail.



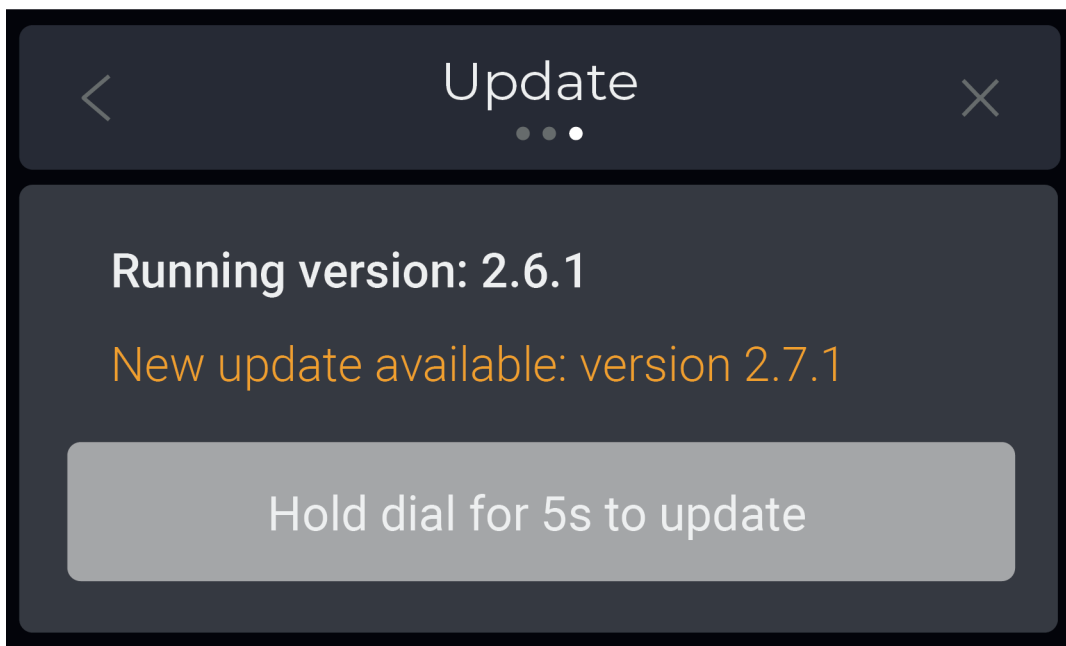
Step 4:

Fasten the cover panel using the four screws. Once the module is installed into the slot correctly, the system can be powered-on and the module functionality will be automatically discovered.



Updating the system

The update section on the front overview screen shows the running version of the device and the updates which are available. Thanks to the OTA feature of the LUNA series, the device automatically checks the latest version whenever the device is on the network. On this screen, the device can be updated to available software by holding the rotary function dial for 5 seconds.



Technical specifications



Dante Brooklyn 3 Module	
Network audio I/O	8x8 Dante™/AES67 I/O Channels (Up to 32x32 Channels with SL-NAC8)
Audio Transport Formats	Dante Audio over IP, AES67 RTP, SMPTE ST2110-30 RTP (enrolled devices)
Sample Bit Depth	16, 24 or 32 bits per sample
Audio Buffering	Up to 2000 samples per channel
Clocking	Onboard word clock or external word clock
Dimensions (W x D)	45 x 60 mm
Power	3.3VDC @ 2W max
Physical Connector	Mini-PCI
Compatible device	LUNA-U



Discover more on audac.eu