

Amhaze Stadium

User Manual



Model ID: (120V): AMHAZESTADIUM
Model ID: (230V): 230VAMHAZESTADIUM

TABLE OF CONTENTS

1. Edition Notes	1
Trademarks	1
Copyright Notice	1
Manual Use	1
Document Printing	1
Intended Audience	1
Disclaimer	1
Document Revision	1
2. Before You Begin	2
What Is Included	2
Claims	2
Manual Conventions	2
Symbols	2
Safety Notes	3
Personal Safety	3
Mounting and Rigging	3
Power and Wiring	3
Operation	3
3. Introduction	4
Description	4
Features	4
Product Overview	4
Product Dimensions	5
4. Setup	6
AC Power	6
AC Plug	6
Resetting the Breaker	6
DMX Linking	6
DMX Personalities	6
Mounting	7
Orientation	7
Rigging	7
Procedure	7
Preparing for Operation	8
5. Operation	9
Control Panel Operation	9
Control Options	9
Programming	9
Menu Map	9
Configuration (DMX)	10
DMX Control	10
DMX Values	10
Configuration (Standalone)	10
Interval	10
Duration	10
Priming the Pump	10
6. Maintenance	11
Product Maintenance	11
Storage	11
7. Technical Specifications	12
Contact Us	13
Warranty & Returns	13

1. Edition Notes

The AmHaze Stadium User Manual includes a description, safety precautions, installation, programming, operation and maintenance instructions for the AmHaze Stadium as of the release of this edition.

Trademarks

Chauvet, Chauvet Professional, the Chauvet logo, and Amhaze are registered trademarks or trademarks of Chauvet & Sons, LLC (d/b/a Chauvet and Chauvet Lighting) in the United States and other countries. Other company and product names and logos referred to herein may be trademarks of their respective companies.

Copyright Notice

The works of authorship contained in this manual, including, but not limited to, all design, text and images are owned by Chauvet.

© **Copyright 2023 Chauvet & Sons, LLC. All rights reserved.**

Electronically published by Chauvet in the United States of America.

Manual Use

Chauvet authorizes its customers to download and print this manual for professional information purposes only. Chauvet expressly prohibits the usage, copy, storage, distribution, modification, or printing of this manual or its content for any other purpose without written consent from Chauvet.

Document Printing

For best results, print this document in color, on letter size paper (8.5 x 11 in), double-sided. If using A4 paper (210 x 297 mm), configure the printer to scale the content accordingly.

Intended Audience

Any person installing, operating, and/or maintaining this product should completely read through the guide that shipped with the product, as well as this manual, before installing, operating, or maintaining this product.

Disclaimer

Chauvet believes that the information contained in this manual is accurate in all respects. However, Chauvet assumes no responsibility and specifically disclaims any and all liability to any party for any loss, damage or disruption caused by any errors or omissions in this document, whether such errors or omissions result from negligence, accident or any other cause. Chauvet reserves the right to revise the content of this document without any obligation to notify any person or company of such revision, however, Chauvet has no obligation to make, and does not commit to make, any such revisions. Download the latest version from www.chauvetprofessional.com.

Document Revision

This AmHaze Stadium User Manual is the 5th edition of this document. Go to www.chauvetprofessional.com for the latest version.

2. Before You Begin

What Is Included

- AmHaze Stadium
- Seetronic Powerkon IP65 power cable
- Quick Reference Guide

Claims

Carefully unpack the product immediately and check the container to make sure all the parts are in the package and are in good condition.





If the box or the contents (the product and included accessories) appear damaged from shipping, or show signs of mishandling, notify the carrier immediately, not Chauvet. Failure to report damage to the carrier immediately may invalidate a claim. In addition, keep the box and contents for inspection.

For other issues, such as missing components or parts, damage not related to shipping, or concealed damage, file a claim with Chauvet within 7 days of delivery.

Manual Conventions

Convention	Meaning
1–512	A range of values
50/60	A set of values of which only one can be chosen
<SET>	A button on the product's control panel
Settings	A product function or a menu option

Symbols

Symbol	Meaning
	Electrical warning. Not following these instructions may cause electrical damage to the product, accessories, or the user.
	Critical installation, configuration, or operation information. Not following these instructions may make the product not work, cause damage to the product, or cause harm to the operator.
	Important installation or configuration information. The product may not function correctly if this information is not used.
	Useful information.



Any reference to power connections in this manual assumes the use of Seetronic IP rated cables.



The term “DMX” used throughout this manual refers to the USITT DMX512-A digital data transmission protocol.

Safety Notes

Read all the following safety notes before working with this product. These notes contain important information about the installation, usage, and maintenance of this product.



This product contains no user-serviceable parts. Any reference to servicing in this User Manual will only apply to properly trained, certified technicians. Do not open the housing or attempt any repairs.



All applicable local codes and regulations apply to proper installation of this product.

Personal Safety

- Depending on the amount of haze generated, all haze machines may set off smoke detectors.
- Drain the tank before transporting the product.
- Always disconnect this product from its power source before servicing.
- The product's nozzle is very hot during operation and it remains hot for a long time after operation has stopped.
- Always connect this product to a grounded circuit to avoid the risk of electrocution.
- Do not drink the fluid.
- Do not use for space heating purposes.
- Do not touch this product's housing during operation because it may be very hot.

Mounting and Rigging

- This product is for indoor use only! To prevent risk of fire or shock, do not expose this product to rain or moisture. (IP20)
- CAUTION: When transferring product from extreme temperature environments, (e.g., cold truck to warm humid ballroom) condensation may form on the internal electronics of the product. To avoid causing a failure, allow product to fully acclimate to the surrounding environment before connecting it to power.
- Mount this product in a location with adequate ventilation, at least 20 in (50 cm) from adjacent surfaces.
- Make sure there are no flammable materials close to this product while it is operating.
- When hanging this product, always secure to a fastening device using a safety cable.

Power and Wiring

- Always make sure user is connecting this product to the proper voltage in accordance with the specifications in this manual or on the product's specification label.
- To eliminate unnecessary wear and improve its lifespan, during periods of non-use completely disconnect the product from power via breaker or by unplugging it.
- Never connect this product to a dimmer pack or rheostat.
- Never disconnect this product by pulling or tugging on the power cable.

Operation

- Do not operate this product if user sees damage to the housing, fluid tank, or cables. Have the damaged parts replaced by an authorized technician at once.
- Be sure that no ventilation slots on the product's housing are blocked.
- Never carry the product from the power cord or any moving part. Always use the handles.
- The haze exits the nozzle at a very high temperature and it remains hot for a long time after operation has stopped. Keep a minimum distance of 6.5 ft (2 m) from the nozzle to the nearest object.
- The operating temperature is -22 °F to 113 °F (-30 °C to 45 °C). Do not operate this product outside this temperature range.
- In the event of a serious operating problem, stop using this product immediately!
- Do not add perfume, alcohol, gasoline, or any other flammables to the fluid.
- Use only Chauvet water-based Premium Haze Fluid (PHF) or Grignard Pure!



If the Chauvet product requires service, contact Chauvet Technical Support.

3. Introduction

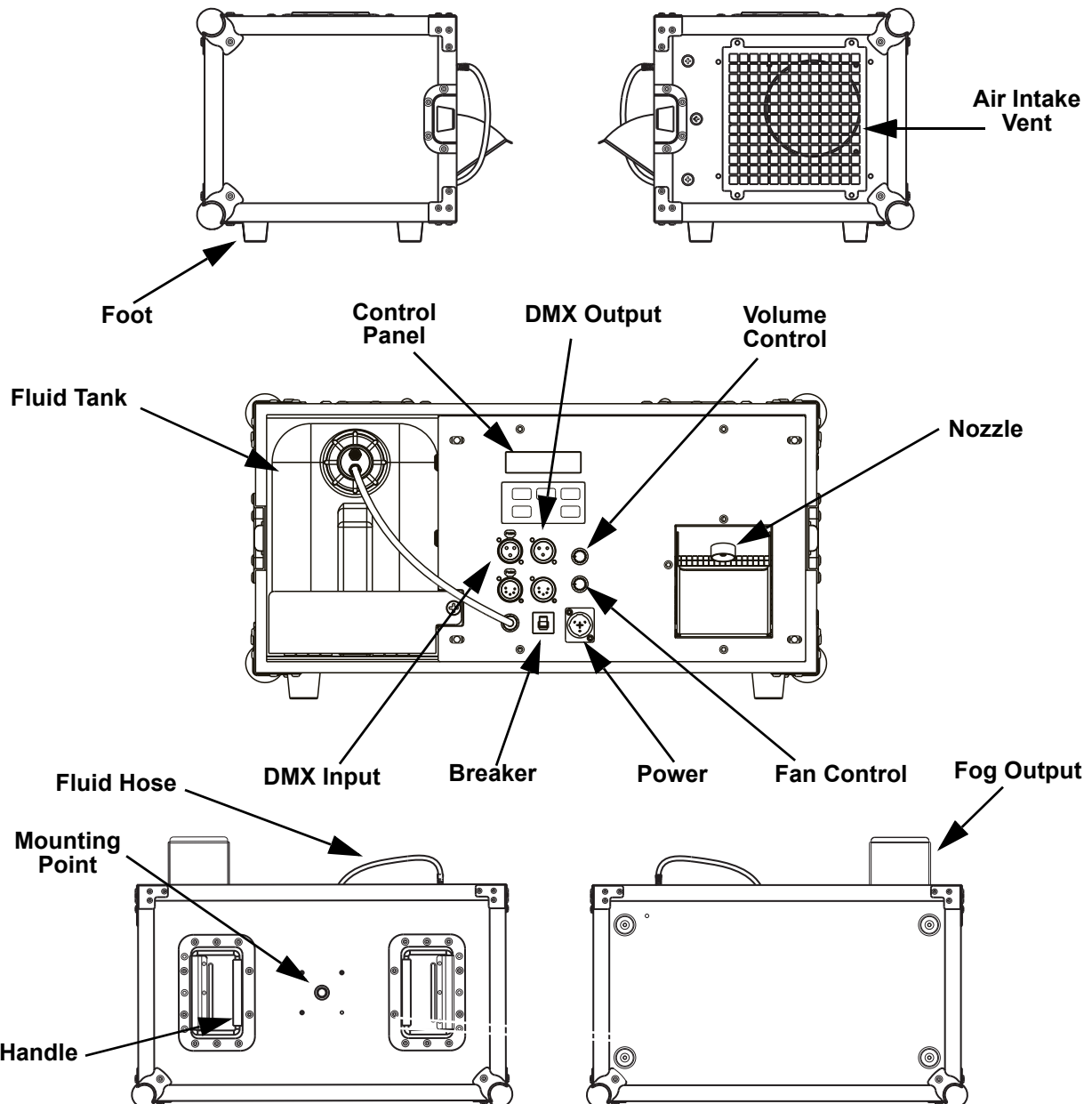
Description

The AmHaze Stadium is a water-based haze machine suited for large-scale applications. The AmHaze Stadium is built specifically to function with a wide variety of water-based fluids and features a durable road case for touring and production. The output and speed of haze can be easily adjusted via DMX or by the manual knobs, and the unit comes equipped with an M12 threaded insert for hanging.

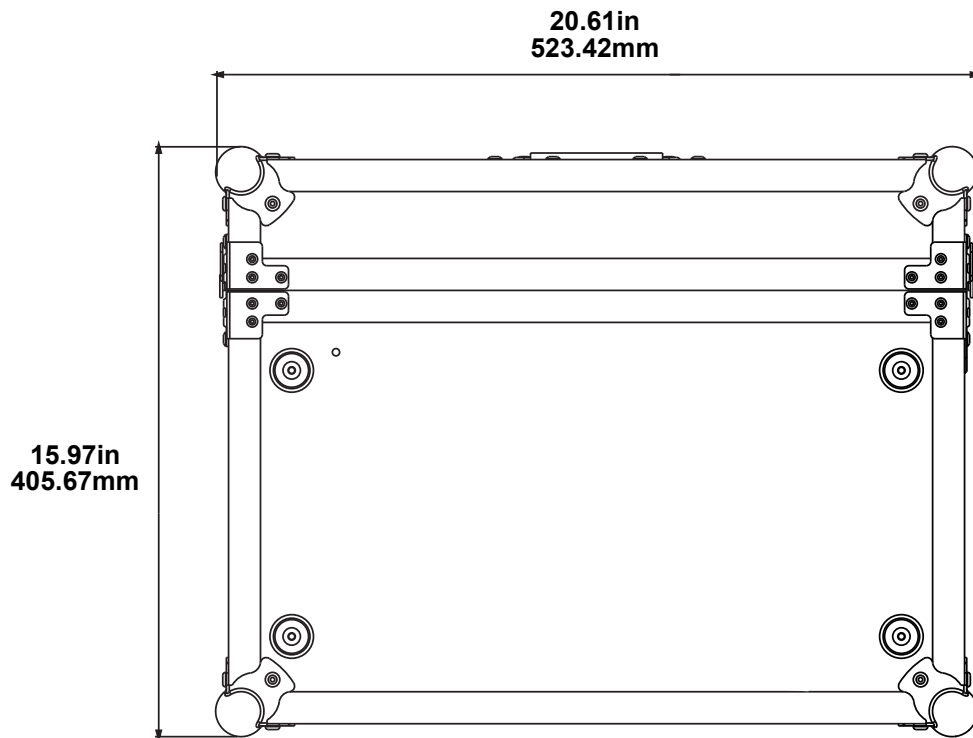
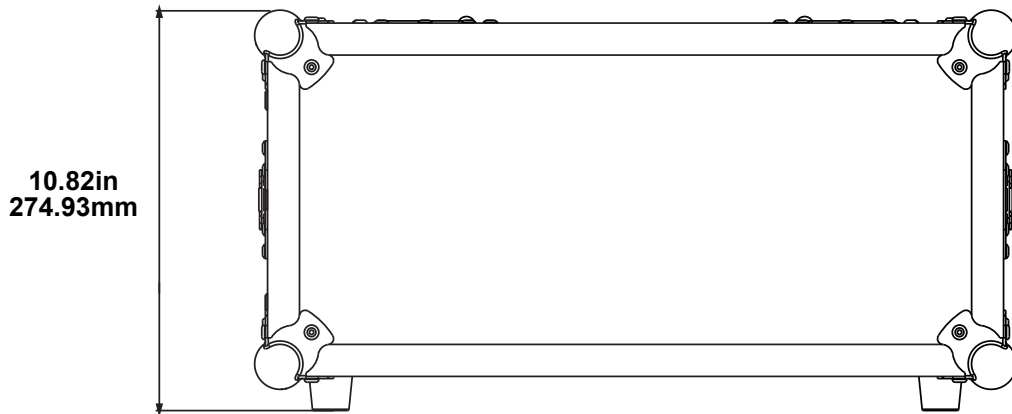
Features

- Professional water-based haze machine
- 30-sec heat up time nearly eliminates wait time for operation
- Adjustable vent louver for directional haze flow
- Tour-ready with a rugged road case and M12 threaded rigging insert
- Efficient fluid consumption lasts up to 11 hours on a single fluid container
- Achieve continuous variable haze output and blower speed, adjusted via DMX or manual knobs

Product Overview



Product Dimensions



4. Setup

AC Power

Each AmHaze Stadium has a fixed power supply that works with an input voltage of either 120 VAC, 60 Hz or 230 VAC, 50 Hz, depending on the specific model. To determine the power requirements for each AmHaze Stadium, refer to the label affixed to the product. The user can also refer to the Technical Specifications chart in this manual.

The listed current rating indicates the maximum current draw during normal operation. For more information, download Sizing Circuit Breakers from the Chauvet website: www.chauvetprofessional.com.



- **Always connect the product to a protected circuit (circuit breaker or fuse). Make sure the product has an appropriate electrical ground to avoid the risk of electrocution or fire.**
- **To eliminate unnecessary wear and improve its lifespan, during periods of non-use completely disconnect the product from power via breaker or by unplugging it.**



Never connect the product to a rheostat (variable resistor) or dimmer circuit, even if the rheostat or dimmer channel serves only as a 0 to 100% switch.

AC Plug

The AmHaze Stadium comes with a power input cord terminated with a Seetronic Powerkon IP65 connector on one end and an Edison plug on the other end (U.S. market). If the power input cord that came with the product has no plug, or if the user needs to change the plug, use the table below to wire the new plug.

Connection	Wire (U.S.)	Wire (Europe)	Screw Color
AC Live	Black	Brown	Yellow or Brass
AC Neutral	White	Blue	Silver
AC Ground	Green/Yellow	Green/Yellow	Green

Resetting the Breaker

This product is equipped with a resettable circuit breaker. If the breaker trips, all sections of this product will lose power.

1. Remove the power cord from mains power.
2. Allow unit to cool for 15 minutes.
3. After 15 minutes, user may attempt to reset the breaker by pressing the button with their finger.
4. Plug the product's power cord into the power outlet and continue using as recommended.

DMX Linking

The AmHaze Stadium can link to a DMX controller using a 3-pin or 5-pin DMX connection. If using other DMX-compatible products with this product, user can control each individually with a single DMX controller.

DMX Personalities

The AmHaze Stadium uses a 3-pin or 5-pin DMX data connection for the 2-channel DMX personality.

- Refer to the Introduction for a brief description of each DMX personality.
- Refer to the Operation chapter to learn how to configure the AmHaze Stadium to work in these personalities.
- The DMX Values section provides detailed information regarding the DMX personalities.



If not familiar with or need more information about DMX standards, Master/Slave connectivity, or the DMX cables needed to link this product to a DMX controller, download the DMX Primer from the Chauvet website:
www.chauvetprofessional.com.

Mounting

Before mounting the product, read and follow the safety recommendations indicated in the Safety Notes. For our Chauvet Professional line of mounting clamps, go to <http://trusst.com/products/>.

Orientation

Always mount this product in a safe position, making sure there is adequate room for ventilation, configuration, and maintenance.

Rigging

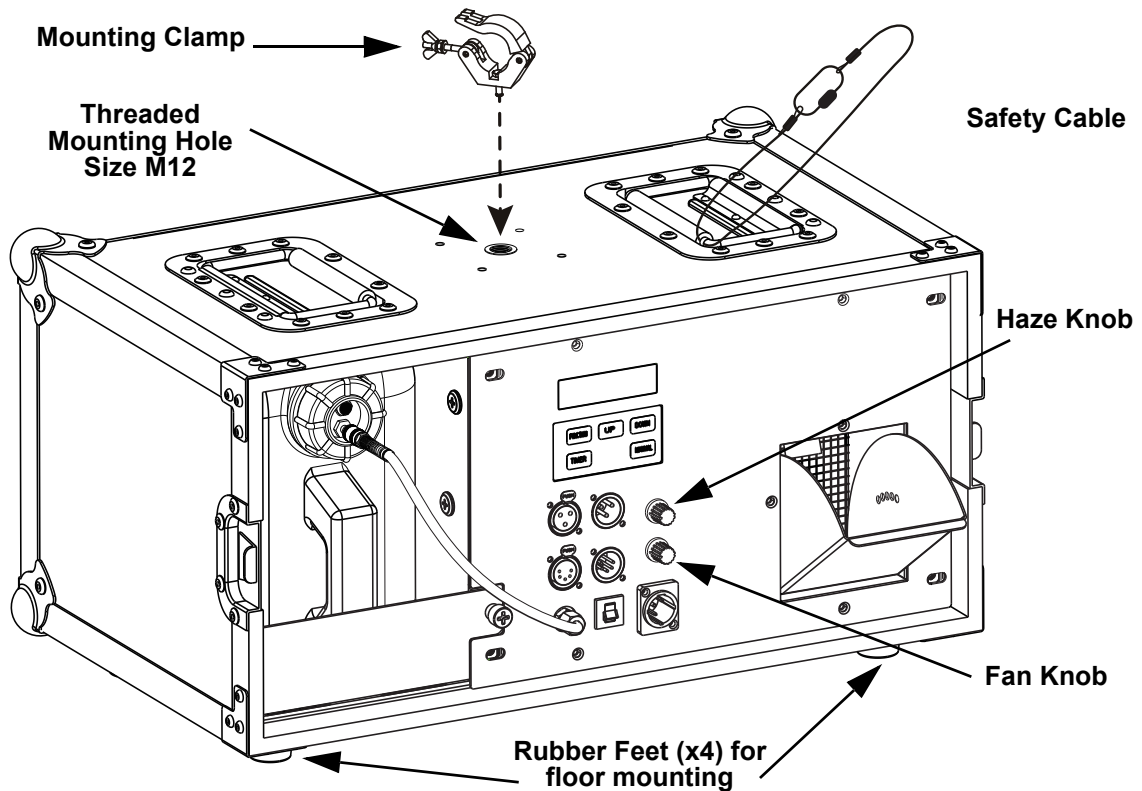
Chauvet recommends using the following general guidelines when mounting this product.

- Before deciding on a location for the product, make sure there is easy access to the product for maintenance and programming purposes.
- Make sure that the structure onto which the product is being mounted can support the product's weight. See the [Technical Specifications](#) for weight information.
- When mounting the product overhead, always use a safety cable. Mount the product securely to a rigging point, whether an elevated platform or a truss.
- When rigging the product onto a truss, use a mounting clamp of appropriate weight capacity.

Procedure

The AmHaze Stadium includes 4 rubber feet for floor mounting and comes with a threaded mounting hole, size M12, at the top of the hazer. This mounting hole is appropriate for use with a mounting clamp. User must supply the mounting clamps. Make sure the clamps are capable of supporting the weight of this product. Use at least one mounting point per product. For the Chauvet Professional line of mounting clamps, go to <http://www.trusst.com/products>.

Mounting Diagram



Setup

Preparing for Operation

To prepare the AmHaze Stadium for operation:

1. Open the flight case.
2. Pull out the fluid tank and remove the cap.
3. Verify that the two plastic hoses attached to the inside of the cap are in place and in good condition.
4. Pour Chauvet (PHF) haze fluid or Grignard Pure inside the tank, and re-cap.
5. Reinsert the tank.
6. Make sure that the plastic hose that goes from the cap to the hazer is not bent.
7. Plug in power and wait approximately 30 seconds for warm-up to complete.



Only use Chauvet approved (PHF) haze fluid or Grignard Pure. Otherwise, user might not have satisfactory results. In addition, unapproved fluid can damage the AmHaze Stadium or cause harm to humans or animals. This may void the warranty.



When storing the product, ALWAYS be sure to store the fluid tank with the cap up, as seen on the storage diagram below before installing the front cover to avoid tube damage that may cause leakage.

5. Operation

Control Panel Operation

Button	Function
<FUNCTION>	Exits from the current menu or function
<UP>	Navigates upwards through the menu list and increases the numeric value when in a function
<DOWN>	Navigates downwards through the menu list and decreases the numeric value when in a function
<TIMER>	Starts the timer controlled operation
<MANUAL>	Manual haze output
<VOLUME KNOB>	Controls the haze volume, 1-100%
<FAN KNOB>	Controls the fan speed, 1-100%

Control Options

Set the AmHaze Stadium starting address in the 001-512 DMX range. This enables control of up to 256 products in the 2-channel personality.

Programming

Refer to the Menu Map to understand the menu options. The menu map shows the main level and a variable number of programming levels for each option.

- To go to the desired main level, press **<FUNCTION>** repeatedly until the option shows on the display. The first programming level for that option will show on the display.
- To select an option or value within the current programming level, press **<UP>** or **<DOWN>** until the option shows on the display. The selected value or the first option of the next programming level will show on the display.
- Press **<FUNCTION>** repeatedly to exit to the previous main level.

Menu Map

Refer to the AmHaze Stadium product page on www.chauvetprofessional.com for the latest menu map.

Main Level	Programming Levels	Description
Interval Set	10-300 Seconds	Sets the interval between haze output
Duration Set	10-255 Seconds	Sets the duration of the haze output
DMX	001-512	Selects the DMX starting address

Operation

Configuration (DMX)

Use DMX configurations to operate the product with a DMX controller.

DMX Control

In this mode, each product will respond to a unique starting address from the DMX controller. All products with the same starting address will respond in unison.

1. Go to **DMX Add.** main level.
2. Select the starting address (**001–512**).

DMX Values

2 CH

Channel	Function	Value	Percent/Setting
1	Fan Speed	000 ⇔ 005	No function
		006 ⇔ 255	Fan speed (slow to fast)
2	Haze Volume	000 ⇔ 005	No function
		006 ⇔ 255	Haze volume 1-100%

Configuration (Standalone)

Use standalone configuration to operate the product without a DMX controller.

Interval

1. Go to **Interval Set** main level
2. Select the desired speed (**10-300**)

Duration

1. Go to the **Duration Set** main level
2. Select how long the haze flow will last (10-255)

Priming the Pump

The AmHaze Stadium features an automatic shut-off function. When the fluid sensor detects no fluid in the hose, the pump automatically shuts off. Sometimes an air bubble can be caught in the hose by the fluid sensor, triggering the auto shut-off. To prevent this, the pump must be primed every time the reservoir is refilled from empty and/or every time the hose runs dry.

To prime the pump and remove all air bubbles:

1. Ensure the filter tip of the hose is fully submerged in the fluid.
2. Run the AmHaze Stadium on low haze volume.
3. With two fingers, pinch the hose closed so nothing can pass through.



DO NOT use fingernails or anything which may cut the hose!

4. Keep the hose pinched closed for 20–30 seconds. The pump will make a noise that will slowly get louder.
5. After at least 20–30 seconds, release the hose. Fluid should pass quickly through it, preventing any bubbles from becoming trapped.



The pump must be primed every time the reservoir is refilled or the hose runs dry.

6. Maintenance

Product Maintenance

Do not allow the haze machine to become clogged. After every 40 hours of continuous operation, use Chauvet Fog Cleaner Quart (FCQ) through the system to prevent the accumulation of particulate matter in the heating element.

The recommended cleaning procedure is as follows.

1. Unplug the product from power.
2. Empty all fluid from the machine.
3. Add cleaning solution to the tank.
4. Connect the product to power and allow it to warm up.
5. Run the unit in a well-ventilated area until the tank is empty.
6. Refill with fluid to continue using the hazer. Run the machine briefly to clear any cleaning solution from the pump and heater.



- **FCQ (Fog Cleaner Quart) was specifically developed by Chauvet to clean the AmHaze Stadium. Make sure to use FCQ regularly to increase the life of the hazer.**
- **Do not spin the fans using compressed air because it could damage the hazer.**
- **Test-run the AmHaze Stadium on a monthly basis to achieve the best performance.**

Storage

Before storing the hazer, run FCQ through the system as described in the cleaning procedure above; however, only follow steps 1 through 5. Do not refill the tank with fluid if storing the hazer. Cleaning the system prior to storage will help prevent any particles from condensing inside the pump or heater while not in use.

Technical Specifications

7. Technical Specifications

Dimensions and Weight

Length	Width	Height	Weight
20.60 in (523.42 mm)	10.80 in (274.9 mm)	15.97 in (405.7 mm)	38.4 lb (17.4 kg)

Note: Dimensions in inches rounded to the nearest decimal digit.

Power

Power Supply Type	Range	Voltage Selection
Model-specific	120 VAC, 60 Hz or 230 VAC, 50 Hz	Fixed
Parameter	120 V, 60 Hz	230 V, 50 Hz
Consumption	1,230 W	2,430 W
Operating Current	10.25 A	10.56 A
Breaker	15 A, 250 V	15 A, 250 V
Power I/O	U.S./Worldwide	UK/Europe
Power input connector	Seetronic Powerkon IP65	Seetronic Powerkon IP65
Power Cord plug	Edison (U.S.)	Local Plug

Operation/Capacity/Consumption

Heat-up Time	Tank Capacity	Fluid Consumption
30 sec	1.3 gal (4.92 l)	7.45 ml/min (0.12 gallons/hour)
Fan Speed	Maximum Run Time	
157 CFM	11 hours @ full volume	

Thermal

Startup Temperature	Operating Temperature	Cooling System
-4 °F to 113 °F (-20 °C to 45 °C)	-22 °F to 113 °F (-30 °C to 45 °C)	Convection

DMX

I/O Connector	Channel Range
3-pin or 5-pin XLR	2

Ordering

Product Name	Item Code	UPC Number
AmHaze Stadium	AMHAZESTADIUM	781462217181
AmHaze Stadium 230V	230VAMHAZESTADIUM	781462217341



UL 499
CSA C22.2 No. 64-10
E115095



RoHS

CONTACT US

General Information	Technical Support
Chauvet World Headquarters	
Address: 3360 Davie Rd. Davie, FL 33314 Voice: (954) 577-4455 Fax: (954) 929-5560 Toll Free: (800) 762-1084	Voice: (844) 393-7575 Fax: (954) 756-8015 Email: chauvetcs@chauvetlighting.com Website: www.chauvetprofessional.com
Chauvet U.K.	
Address: Pod 1 EVO Park Little Oak Drive, Sherwood Park Nottinghamshire, NG15 0EB UK Voice: +44 (0) 1773 511115 Fax: +44 (0) 1773 511110	Email: UKtech@chauvetlighting.eu Website: www.chauvetprofessional.eu
Chauvet Benelux	
Address: Stokstraat 18 9770 Kruishoutem Belgium Voice: +32 9 388 93 97	Email: BNLtech@chauvetlighting.eu Website: www.chauvetprofessional.eu
Chauvet France	
Address: 3, Rue Ampère 91380 Chilly-Mazarin France Voice: +33 1 78 85 33 59	Email: FRtech@chauvetlighting.fr Website: www.chauvetprofessional.eu
Chauvet Germany	
Address: Bruno-Bürgel-Str. 11 28759 Bremen Germany Voice: +49 421 62 60 20	Email: DEtech@chauvetlighting.de Website: www.chauvetprofessional.eu
Chauvet Mexico	
Address: Av. de las Partidas 34 - 3B (Entrance by Calle 2) Zona Industrial Lerma Lerma, Edo. de México, CP 52000 Voice: +52 (728) 690-2010	Email: servicio@chauvet.com.mx Website: www.chauvetprofessional.mx

Warranty & Returns

For warranty terms and conditions and return information, please visit our website.

For customers in the United States and Mexico: www.chauvetlighting.com/warranty-registration.

For customers in the United Kingdom, Republic of Ireland, Belgium, the Netherlands, Luxembourg, France, and Germany: www.chauvetlighting.eu/warranty-registration.