

COLORADO *SOLO BAR*₆

User Manual



Model ID: COLORADOSOLOBAR6

Edition Notes

The COLORado Solo Bar 6 User Manual includes a description, safety precautions, installation, programming, operation, and maintenance instructions for the COLORado Solo Bar 6 as of the release date of this edition.

Trademarks

Chauvet, Chauvet Professional, the Chauvet logo, and COLORado are registered trademarks or trademarks of Chauvet & Sons, LLC (d/b/a Chauvet and Chauvet Lighting) in the United States and other countries. Other company and product names and logos referred to herein may be trademarks of their respective companies.

Copyright Notice

The works of authorship contained in this manual, including, but not limited to, all designs, text, and images are owned by Chauvet.

© Copyright 2024 Chauvet & Sons, LLC. All rights reserved.

Electronically published by Chauvet in the United States of America.

Manual Use

Chauvet authorizes its customers to download and print this manual for professional information purposes only. Chauvet expressly prohibits the usage, copy, storage, distribution, modification, or printing of this manual or its content for any other purpose without written consent from Chauvet.

Document Printing

For best results, print this document in color, on letter size paper (8.5 x 11 in), double-sided. If using A4 paper (210 x 297 mm), configure the printer to scale the content accordingly.

Intended Audience

Any person installing, operating, and/or maintaining this product should completely read through the guide that shipped with the product, as well as this manual, before installing, operating, or maintaining this product.

Disclaimer

Chauvet believes that the information contained in this manual is accurate in all respects. However, Chauvet assumes no responsibility and specifically disclaims any and all liability to any party for any loss, damage or disruption caused by any errors or omissions in this document, whether such errors or omissions result from negligence, accident, or any other cause. Chauvet reserves the right to revise the content of this document without any obligation to notify any person or company of such revision, however, Chauvet has no obligation to make, and does not commit to make, any such revisions.

Document Revision

Go to www.chauvetprofessional.com for the latest version.

Revision	Date	Description
1	10/2024	Initial release

TABLE OF CONTENTS

1. Before You Begin	1
What Is Included	1
Claims	1
Text Conventions	1
Symbols	1
Safety Notes.....	2
FCC Statement of Compliance	3
RF Exposure Warning for North America and Australia.....	3
Expected LED Lifespan.....	3
2. Introduction	4
Description	4
Features.....	4
Product Overview.....	4
Product Dimensions	5
3. Setup	6
AC Power.....	6
AC Plug	6
Power Linking.....	6
Signal Connections	6
Control Personalities	6
DMX Linking.....	6
Remote Device Management	6
Master/Slave Connectivity.....	7
Art-Net™ Connection.....	7
sACN Connection.....	7
Ethernet Connection Diagram.....	7
Lumenradio CRMX™ Connection	8
Initial Setup.....	8
Configuration	8
Product Pairing.....	8
USB Software Update	9
Fixture To Fixture Software Update	9
Force Upload.....	10
Mounting	11
Orientation.....	11
Rigging	11
Procedure.....	11
Mounting Diagram.....	11
Rotating the Yokes.....	12
Rotated Yoke Mounting Diagram	13
Glare Shield and Filters.....	14
Alignment Pins	15
4. Operation	16
Control Panel Description	16
Programming.....	16
Passcode	16

Menu Map	16
Control Configuration	24
Control Mode.....	24
Control Personalities	24
Starting Address.....	25
Ethernet Settings.....	26
IP Mode	26
Universe	26
Start Channel.....	26
IP Address	26
Ethernet to DMX	26
Virtual Color Wheel	27
Virtual Color Wheel Chart	27
Color Temperature Chart	28
DMX Channel Assignments and Values	28
Control Chart.....	28
Strobe Chart.....	28
24 Cell Personalities	29
XY.....	29
RGB 72ch - RGBWL Full 387ch	33
HSV 73ch	43
CCT 73ch	45
12 Cell Personalities	47
XY.....	47
RGB 36ch - RGBWL Full 195ch	49
HSV 37ch	54
CCT 37ch	55
8 Cell Personalities	56
XY.....	56
RGB 24ch - RGBWL Full 131ch	57
HSV 25ch	61
CCT 25ch	62
6 Cell Personalities	62
XY.....	62
RGB 18ch - RGBWL Full 99ch	64
HSV 19ch	66
CCT 19ch	67
4 Cell Personalities	68
XY.....	68
RGB 12ch - RGBWL Full 67ch	69
HSV 13ch	71
CCT 13ch	71
2 Cell Personalities	72
XY.....	72
RGB 6ch - RGBWL Full 35ch	72
HSV 7ch	73
CCT 7ch	73
1 Cell Personalities	74
XY.....	74
RGB 3ch - RGBWL Full 19ch	74
HSV 4ch	74
CCT 4ch	75
Standalone Configuration.....	75
Static Mode	75
Fixed Colors	75

Table of Contents

Manual Color Mixer	75
Color Temperature	75
Auto Show	75
Virtual Color Wheel.....	75
Color X-Fade Speed	75
Settings Configuration.....	76
Master/Slave	76
Test Modes	76
Wireless Lumenradio CRMX™ Settings	76
Toggle CRMX™	76
Receiver Reset.....	76
Wireless to DMX.....	76
Other Settings	76
Cell Order	76
Color Calibration.....	76
Red Shift.....	77
Dimmer Curve	77
Dimmer Speed Mode.....	77
Display Backlight	77
Display Invert.....	77
Fan Mode	77
Pulse Width Modulation.....	77
Key Lock.....	77
Info & Updating	78
Information.....	78
Fan Speed	78
Temperature	78
Clock Setting	78
Current Time.....	78
Factory Reset.....	78
Web Server	78
Home.....	78
Settings	78
Output	78
Security	78
Error Codes.....	79
5. Maintenance.....	80
Product Maintenance	80
Torque Measurements.....	80
Vacuum Test Measurements	80
6. Technical Specifications	81
Contact Us	82
Warranty & Returns.....	82

1. Before You Begin

What Is Included

- COLORado Solo Bar 6
- Seetronic Powerkon IP65 power cable
- Omega brackets with mounting hardware
- 50/50 filter, Cyc filter, Stealth filter, Clear protective filter (installed)
- Short mount accessory feet
- Glare shield
- Quick Reference Guide

Claims

Carefully unpack the product immediately and check the container to make sure all the parts are in the package and are in good condition.




If the box or the contents (the product and included accessories) appear damaged from shipping, or show signs of mishandling, notify the carrier immediately, not Chauvet. Failure to report damage to the carrier immediately may invalidate a claim. In addition, keep the box and contents for inspection.

For other issues, such as missing components or parts, damage not related to shipping, or concealed damage, file a claim with Chauvet within 7 days of delivery.

Text Conventions

Convention	Meaning
1–512	A range of values
50/60	A set of values of which only one can be chosen
Settings	A menu option not to be modified
<ENTER>	A key to be pressed on the product’s control panel

Symbols

Symbol	Meaning
	Critical installation, configuration, or operation information. Not following these instructions may make the product not work, cause damage to the product, or cause harm to the operator.
	Important installation or configuration information. The product may not function correctly if this information is not used.
	Useful information.



Any reference to data or power connections in this manual assumes the use of Seetronic IP rated cables.

The term “DMX” used throughout this manual refers to the USITT DMX512-A digital data transmission protocol.



Connection of the control signal: DMX line

- The product has XLR sockets for DMX input and output.
- **Notice:** This control circuit is isolated and belongs to the Class 2 data port.

The control circuit has a cumulative leakage current of less than 3.5 mA.

Before You Begin

Safety Notes

Read all the following safety notes before working with this product. These notes contain important information about the installation, usage, and maintenance of this product.



This product contains no user-serviceable parts. Any reference to servicing in this User Manual will only apply to properly trained, certified technicians. Do not open the housing or attempt any repairs.



All applicable local codes and regulations apply to proper installation of this product.

- The luminaire is intended for professional use only.
- The luminaire should be positioned so that prolonged staring into the luminaire at a distance closer than 7.5 ft (2.3 m) is not expected.
- If the external flexible cable or cord of this luminaire is damaged, it shall be replaced by a special cord or cord exclusively available from the manufacturer or its service agent.
- The light source contained in this luminaire shall only be replaced by the manufacturer or its service agent or a similar qualified person.
- **CAUTION:**
 - This product's housing may be hot when operating. Mount this product in a location with adequate ventilation, at least 20 in (50 cm) from adjacent surfaces.
 - When transferring the product from extreme temperature environments, (e.g., cold truck to warm humid ballroom) condensation may form on the internal electronics of the product. To avoid causing a failure, allow the product to fully acclimate to the surrounding environment before connecting it to power.
 - Flashing light is known to trigger epileptic seizures. User must comply with local laws regarding notification of strobe use.
- **ALWAYS:**
 - Disconnect from power before cleaning the product.
 - When using an IP65-rated product in an outdoor environment, use IP65- (or higher) rated power and data cable.
 - Replace and secure IP-rated protective covers to all power, data, USB, or other ports when not in use.
 - Use a safety cable when mounting this product overhead.
 - Connect this product to a grounded and protected circuit.
- **DO NOT:**
 - Open this product. It contains no user-serviceable parts.
 - Look at the light source when the product is on.
 - Leave any flammable material within 1 m of this product while operating or connected to power.
 - Connect this product to a dimmer or rheostat.
 - Operate this product if the housing, lenses, or cables appear damaged.
 - Submerge this product (adhere to standards for the published IP rating). Regular outdoor operation is fine.
 - Permanently install outdoors in locations with extreme environmental conditions. This includes, but is not limited to:
 - Exposure to a marine/saline environment (within 3 miles of a saltwater body of water).
 - Locations where normal temperatures exceed the temperature ranges in this manual.
 - Locations that are prone to flooding or being buried in snow.
 - Other areas where the product will be subject to extreme radiation or caustic substances.
 - **ONLY** use the hanging/mounting bracket to carry this product.
 - The maximum ambient temperature is 113 °F (45 °C). Do not operate this product at higher temperatures.
 - The minimum startup temperature is -4°F (-20°C). Do not start the product at lower temperatures.
 - The minimum ambient temperature is -22°F (-30°C). Do not operate the product at lower temperatures.
 - To eliminate unnecessary wear and improve its lifespan, during periods of non-use completely disconnect the product from power via breaker or by unplugging it.
 - In the event of a serious operating problem, stop using immediately.



If this Chauvet product requires service, contact Chauvet Technical Support.

FCC Statement of Compliance

This device complies with Part 15 Part B of the FCC rules. Operation is subject to the following two conditions:

1. This device may not cause harmful interference, and
2. This device must accept any interference received, including interference that may cause undesired operation.

This equipment has been tested and found to comply with the limits for a Class B digital device, pursuant to Part 15 of the FCC Rules. These limits are designed to provide reasonable protection against harmful interference in a residential installation. This equipment generates uses and can radiate radio frequency energy and, if not installed and used in accordance with the instructions, may cause harmful interference to radio communications. However, there is no guarantee that interference will not occur in a particular installation. If this equipment does cause harmful interference to radio or television reception, which can be determined by turning the equipment off and on, the user is encouraged to try to correct the interference by one or more of the following measures:

- Reorient or relocate the receiving antenna.
- Increase the separation between the equipment and receiver.
- Connect the equipment into an outlet on a circuit different from that to which the receiver is connected.
- Consult the dealer or an experienced radio/TV technician for help.

Any changes or modifications not expressly approved by the party responsible for compliance could void the user's authority to operate the equipment.

RF Exposure Warning for North America and Australia

Warning! This equipment complies with FCC radiation exposure limits set forth for an uncontrolled environment. This equipment should be installed and operated with a minimum distance of 20 cm between the radiator and the user. This transmitter must not be co-located or operating in conjunction with any other antenna or transmitter.

Expected LED Lifespan

Over time, use and heat will gradually reduce LED brightness. Clustered LEDs produce more heat than single LEDs, contributing to shorter lifespans if always used at full intensity. The average LED lifespan is 40,000 to 50,000 hours. To extend LED lifespan, maintain proper ventilation around the product, and limit the overall intensity.

2. Introduction

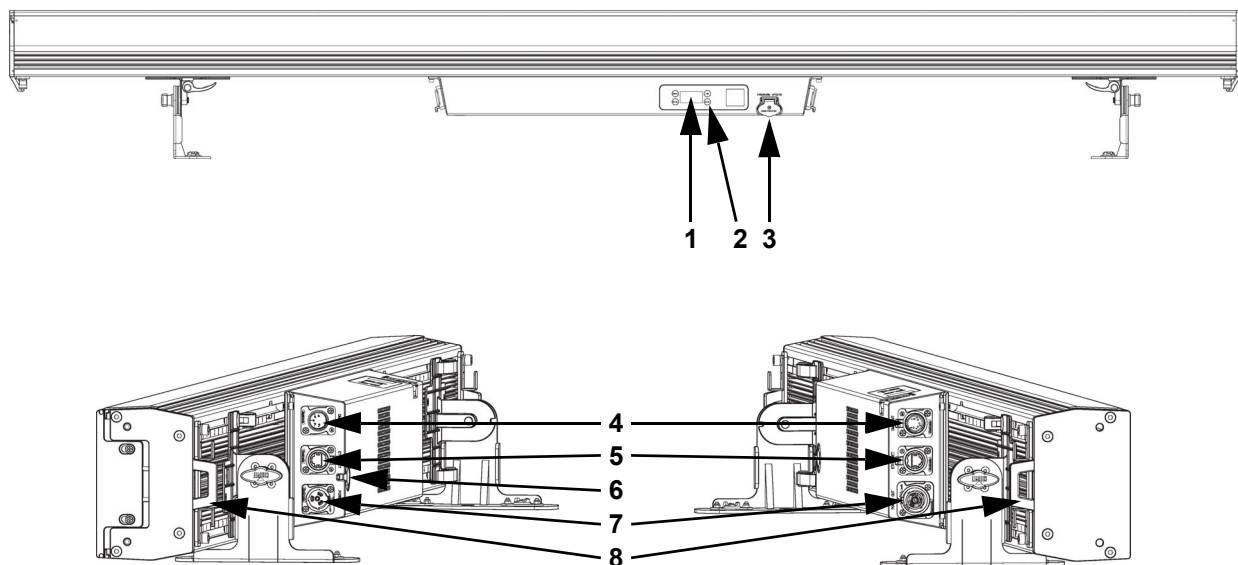
Description

The COLORado Solo Bar 6 is a 24-cell, IP65-rated, RGBWwL LED batten. Producing a full range of color and flexible whites with RGB, RGBWw, and full RGBWwL control, the COLORado Solo Bar 6 combines homogenized squares for end-to-end direct-view pixel-mapped looks. Performs equally well as a cyc, footlight, or down light with High output and long throw. The lighter weight IP65 design provides durability at home both on the road and in permanent installations. A selection of beam shaping filters is included for a choice of projection effects. Bring new versatility to touring, festivals, and both televised and theatrical productions with improved and simplified rigging options, virtually silent operation, and flawless performance live or on camera. Control via DMX, Art-Net™ or sACN.

Features

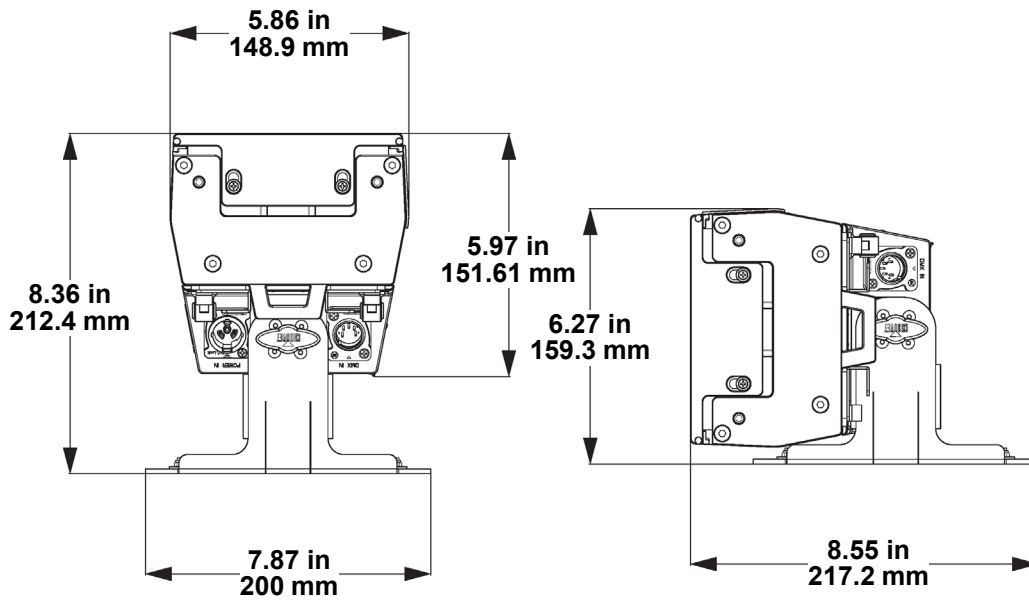
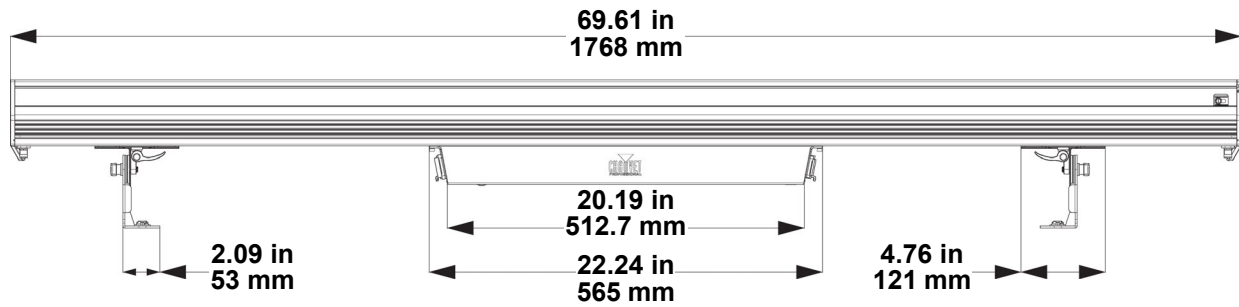
- Full-spectrum LED batten suited equally for rental/production, broadcast, film, and special events
- IP65 rating for all weather use and protection from dust/fog/haze indoors or out
- Linear color temperature presets from 2800 K to 8000 K with high TM-30, CRI and CQS
- Perfectly blended and even color from edge of the cell, no "circle in a square" look
- +/- Green adjustment and emulated red-shift via DMX or on-board control
- Multiple control methods from on-board DMX, RDM, CRMX, Art-Net and sACN
- Virtually silent operation for use in studio applications
- Easily adjustable sliding brackets (on standard T-rail) for optimal placement around truss supports
- Guide pins for easy end-to-end alignment
- Slide-in slot for various included and accessory filters as well as an on-board stowable glare shield
- Ultra-smooth 18-bit dimming curves and speeds to complement any lighting scheme

Product Overview



#	Name	#	Name
1	Display	5	Ethernet ports
2	Menu buttons	6	Condensation valve
3	USB-C port	7	Power in/out
4	DMX in/out	8	Safety loop

Product Dimensions



3. Setup

AC Power

The COLORado Solo Bar 6 has an auto-ranging power supply and it can work with an input voltage range of 100 to 240 VAC, 50/60 Hz.

To determine the product's power requirements (circuit breaker, power outlet, and wiring), use the current value listed on the label affixed to the product's back panel, or refer to the product's specifications chart. The listed current rating indicates the product's average current draw under normal conditions.



- **Always connect the product to a protected circuit (a circuit breaker or fuse). Ensure the product has an appropriate electrical ground to avoid the risk of electrocution or fire.**
- **To eliminate unnecessary wear and improve its lifespan, during periods of non-use completely disconnect the product from power via breaker or by unplugging it.**



Never connect the product to a rheostat (variable resistor) or dimmer circuit, even if the rheostat or dimmer channel serves only as a 0 to 100% switch.

AC Plug

The COLORado Solo Bar 6 comes with a power input cable terminated with a Seetronic Powerkon A connector on one end and an Edison plug on the other end (U.S. market). If the power cable which came with the product has no plug, or if it is necessary to change the plug, use the table below to wire a plug.

Connection	Wire (U.S.)	Wire (Europe)	Screw Color
AC Live	Black	Brown	Yellow or Brass
AC Neutral	White	Blue	Silver
AC Ground	Green/Yellow	Green/Yellow	Green

Power Linking

It is possible to power link COLORado Solo Bar 6 products. See the table below for the current draw at each voltage and frequency:

	100 V, 60 Hz	120 V, 60 Hz	208 V, 60 Hz	230 V, 50 Hz	240 V, 50 Hz
Current Draw	5.61 A	4.62 A	2.62 A	2.37 A	2.28 A

Never exceed 12 A on a single circuit. Power-linking cables can be purchased separately.

Signal Connections

The COLORado Solo Bar 6 can receive a DMX, CRMX™, Art-Net™, or sACN signal. The product has 2 Seetronic Etherkon through ports and 5-pin DMX in and out ports. If using other compatible products with this product, it is possible to control each individually with a single controller.

Control Personalities

The COLORado Solo Bar 6 uses a 5-pin DMX data connection, wireless Lumenradio CRMX™, Art-Net™, or sACN for its 84 control personalities, ranging from 3 to 387 channels in 1-, 2-, 4-, 6-, 8-, 12-, and 24-cell modes.

- Refer to the [Operation](#) chapter to learn how to configure the COLORado Solo Bar 6 to work in these personalities.
- The [DMX Channel Assignments and Values](#) section provides detailed information regarding the control personalities.



For more information about DMX standards or the DMX cables needed to link this product to a DMX controller, download the DMX Primer from the Chauvet website: www.chauvetprofessional.com.

DMX Linking

It is possible to link the COLORado Solo Bar 6 to a DMX controller using a 5-pin DMX connection or Lumenradio CRMX™. For more information about DMX, read the DMX primer at: https://www.chauvetprofessional.com/wp-content/uploads/2016/06/DMX_Primer.pdf.

Remote Device Management

Remote Device Management, or RDM, is a standard for allowing DMX-enabled devices to communicate bi-directionally along existing DMX cabling. Check the DMX controller's User Manual or with the manufacturer as not all DMX controllers have this capability. The COLORado Solo Bar 6 supports RDM protocol that allows feedback to make changes to menu map options.

Master/Slave Connectivity

The Master/Slave mode allows an COLORado Solo Bar 6 (the master) to control one or more COLORado Solo Bar 6 products (the slaves) without a DMX controller. One COLORado Solo Bar 6 becomes the master when running an auto program or in Static mode.

Each slave's control panel must be configured to operate in Slave mode. During Master/Slave operation, the slaves will operate in unison with the master.



DO NOT connect a DMX controller to products operating in Master/Slave mode. The DMX controller signals may interfere with the signals from the master.



- The [Operation](#) section of this manual provides detailed instructions on how to configure the master and slaves.
- For more information about DMX standards or the DMX cables needed to link this product to a DMX controller, download the DMX primer from the Chauvet website: www.chauvetprofessional.com.

Art-Net™ Connection

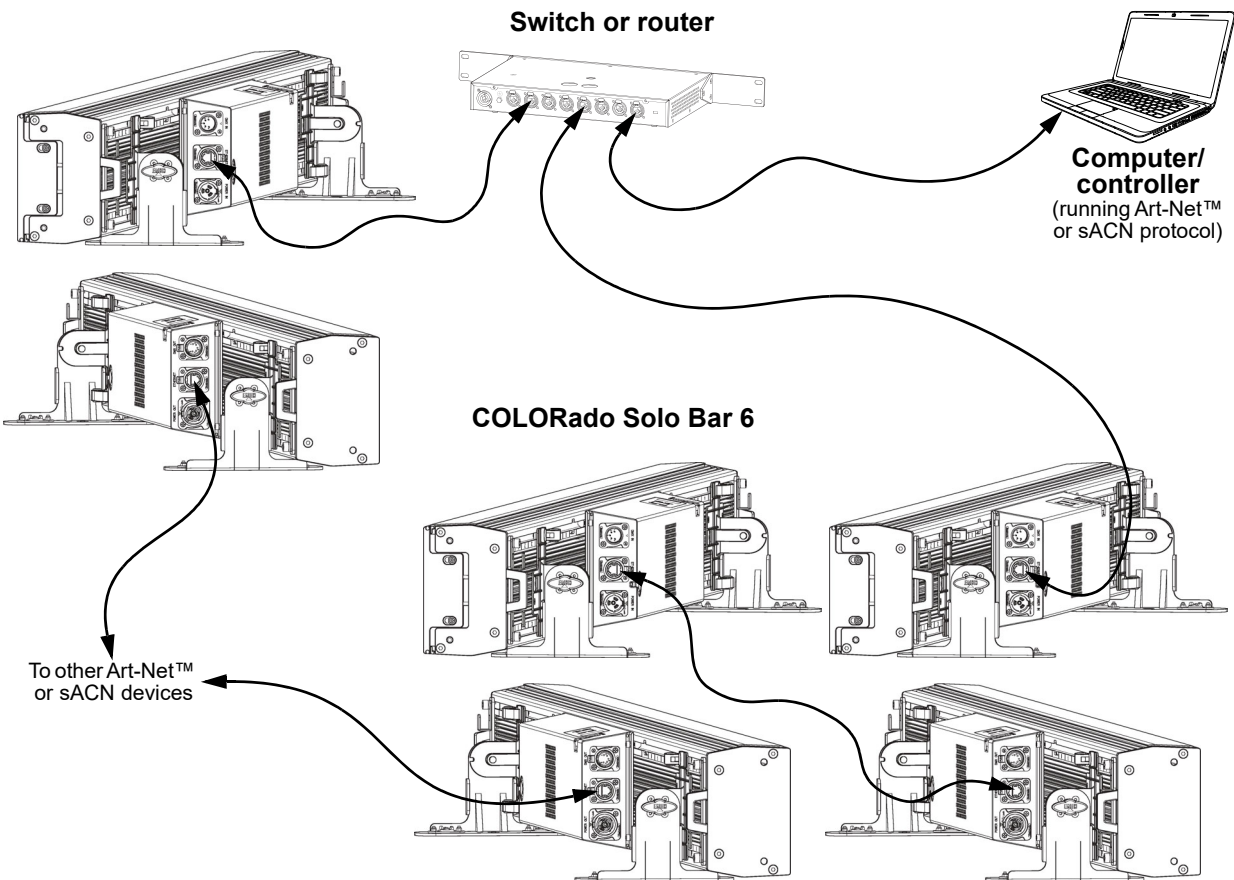
Art-Net™ is an Ethernet protocol that uses TCP/IP which transfers a large amount of DMX512 data using an ethernet connection over a large network. An Art-Net™ protocol document is available from www.chauvetprofessional.com.

Art-Net™ designed by and copyright Artistic Licence Holdings Ltd.

sACN Connection

Also known as ANSI E1.31, streaming ACN is an Ethernet protocol that uses the layering and formatting of Architecture for Control Networks to transport DMX512 data over IP or any other ACN compatible network.

Ethernet Connection Diagram



Setup

Lumenradio CRMX™ Connection

In optimal conditions, the COLORado Solo Bar 6 can operate up to 300 m (900 ft) away from the CRMX™ transmitter. The CRMX™ receiver in the COLORado Solo Bar 6 must be paired with the CRMX™ transmitter for wireless operation.

Initial Setup

1. Turn the CRMX™ transmitter on.
2. Connect the CRMX™ transmitter to a DMX controller.
3. Place the COLORado Solo Bar 6 within 300 m from the CRMX™ transmitter.
4. Turn the COLORado Solo Bar 6 on.

Configuration

1. From the COLORado Solo Bar 6's control panel, go to **DMX Address**.
2. Select the start address, as with any other DMX compatible product.
3. Go to **Wireless Setting > Receive Off/On**.
4. Select **On**. (The Signal Strength Indicator will show a ? in front of the bars)
5. Press the reset button on the CRMX™ transmitter. (The Signal Strength Indicator on the COLORado Solo Bar 6 will show a 4 in front of the bars for 3 seconds while a connection is established.)

Product Pairing

If the COLORado Solo Bar 6 has already been paired with the CRMX™ transmitter, the Signal Strength Indicator on top of the display will show the strength of the signal. In this case, the COLORado Solo Bar 6 is ready to work in Wireless mode.

Pairing the COLORado Solo Bar 6 and a New CRMX™ Transmitter

1. From the COLORado Solo Bar 6 control panel, go to **Wireless Setting > Receive Reset**.
2. Select **Yes**.
3. From the CRMX™ transmitter, press **<RESET>**. The signal indicator on the transmitter will flash.
4. Once the transmitter has found the COLORado Solo Bar 6, the signal indicator on the CRMX™ transmitter will illuminate solid.
5. The display screen on the COLORado Solo Bar 6 will show the strength of the signal.



CRMX™ operation can be interrupted or inhibited by people or liquid masses, including water or snow, between the transmitter and receiver. For best results, keep the area between the transmitter and receiver clear of any liquid masses.

USB Software Update

The COLORado Solo Bar 6 allows for a software update through USB using the built-in USB port. To update the software using a USB flash drive, do the following:

1. Power on the product and plug the flash drive into the USB port.
2. Once the flash drive has been detected, the message “**Update Firmware**” will be displayed. Press <ENTER>.
 - If a different message appears on the display, search for the updated software in the menu (**Update Firmware** in the **Info & Updating** menu) and select from **Only This Fixture**, **Multiple Fixture**, **Other Fixture Type**, or **Fixture to Fixture**. A list of the software update files will be displayed.



The “**Other Fixture Type**” option under **Update Firmware** can only be selected for connected products compatible with the **Upload 03** (the first 2 digits of the item code must be 03).

- See [Fixture To Fixture Software Update](#) for the **Fixture to Fixture** software update process.
3. Select the file that needs to be uploaded. The message “**Are you sure?**” will be displayed. Press <ENTER>.



If the selected file is incorrect, the upgrade will fail, and the display will go back to the main interface. Repeat steps 1-3 using the correct file.

4. If the selected file is correct, the update will start. DO NOT turn off power or disconnect the USB during the process. The USB update can take several minutes to complete.
5. When the update is complete, the product will automatically reboot.
6. Go to the **Information** level of the **Info & Updating** menu and confirm the software update.
7. When the boot-up process is finished, restart the product.



- Place the .chl file in the root directory of the USB drive.
- The product’s USB port supports up to 32GB capacity and only works with FAT32 file format.



Turning off the power, removing the DMX cable, or not setting the fixture to the correct protocol during the update can cause partial or total software failure in the targeted fixture. The user will need an Upload 03 device to fix the software failure issues. Please contact Chauvet customer service for this device.

Fixture To Fixture Software Update

The COLORado Solo Bar 6 allows for a software update through a DMX cable from one COLORado Solo Bar 6 to another. To update the software using a DMX cable connection, follow the instructions below:

1. Power on the products.
2. Connect the DMX out of the COLORado Solo Bar 6 with the latest software to the DMX in of the COLORado Solo Bar 6 that needs to be updated.
3. Go to the **Update Firmware** level of the receiving product’s menu.
4. Select the **Fixture To Fixture** option.
5. A warning “**make sure no other signal, Network or DMX controller is being sent! and press enter key to start update**” will show on the display. Press <ENTER> to start the update.



- DO NOT turn off the power or disconnect the DMX cable during the process. The update can take several minutes to complete.
- If the connected product is incorrect or has the incorrect software, the upgrade will fail, and the display will go back to the main interface. Repeat steps 1-5 using a COLORado Solo Bar 6 with valid software.

6. If the connected product is valid, the update will start. DO NOT turn off power or disconnect the DMX cable during the process. The update can take several minutes to complete.
7. When the update is complete, the product will automatically reboot.
8. Go to the **Information** level of the **Info & Updating** menu and confirm the software update.



- When updating software using **Fixture To Fixture**, make sure no other DMX signals or Ethernet signals are connected to the products.
- Turning off the power, removing the DMX cable, or not setting the fixture to the correct protocol during the update can cause partial or total software failure in the targeted fixture. The user will need an Upload 03 device to fix the software failure issues. Please contact Chauvet customer service for this device.

Force Upload

A Force Upload is done whenever a software update fails due to accidental removal of the USB flash drive, incorrect control protocol, or loss of power during a regular software update process.



- **A Force Upload process requires a target fixture (the fixture that needs a Force Upload and a main fixture (the fixture that controls the upload process).**
- **The Force Upload process can only be done one target fixture at a time.**

To do a Force Upload, follow the instructions below:

1. Link the target fixture to the main fixture via a DMX 5-pin connection. Ensure that the target fixture is turned off.
2. Turn on the main fixture and set its protocol to **DMX512**.
3. Plug the flash drive into the USB-C port of the main fixture.
4. Go to the **Information** level of the **Info & Updating** menu.
5. Choose between **Multiple Fixture** and **Other Fixture Type**. Press **<ENTER>**.
 - **Multiple Fixture:** Both the target fixture and main fixture are from the same product line (e.g., 2 COLORado Solo Bar 6 fixtures).
 - **Other Fixture Type:** The target fixture and main fixture are from different product series (e.g., a COLORado Solo Bar 6 as the target fixture and a Maverick Silens 2 Profile as the main fixture).
6. Select the file that needs to be uploaded. The message “**Are you sure?**” will appear on the screen. Press **<ENTER>**. Turn on the target fixture within 1–2 seconds of pressing **<ENTER>**. The display on the target fixture should remain off.
 - a. The main fixture will show the update progress (0–100%).
 - b. The target fixture’s display will turn on, and a notification “**<UPDATE>**” will appear on the screen.



The timing of when the target fixture’s display will turn on varies from fixture to fixture.

7. DO NOT turn off power or remove the USB flash drive. Once the software is done uploading, the target fixture will automatically reboot.
8. Go to the target fixture’s main menu and confirm that the firmware version has been updated.
9. Reboot the target fixture.

Mounting

Before mounting the product, read and follow the safety recommendations indicated in the [Safety Notes](#).

Orientation

Always mount this product in a safe position, making sure there is adequate room for ventilation, configuration, and maintenance.

Rigging

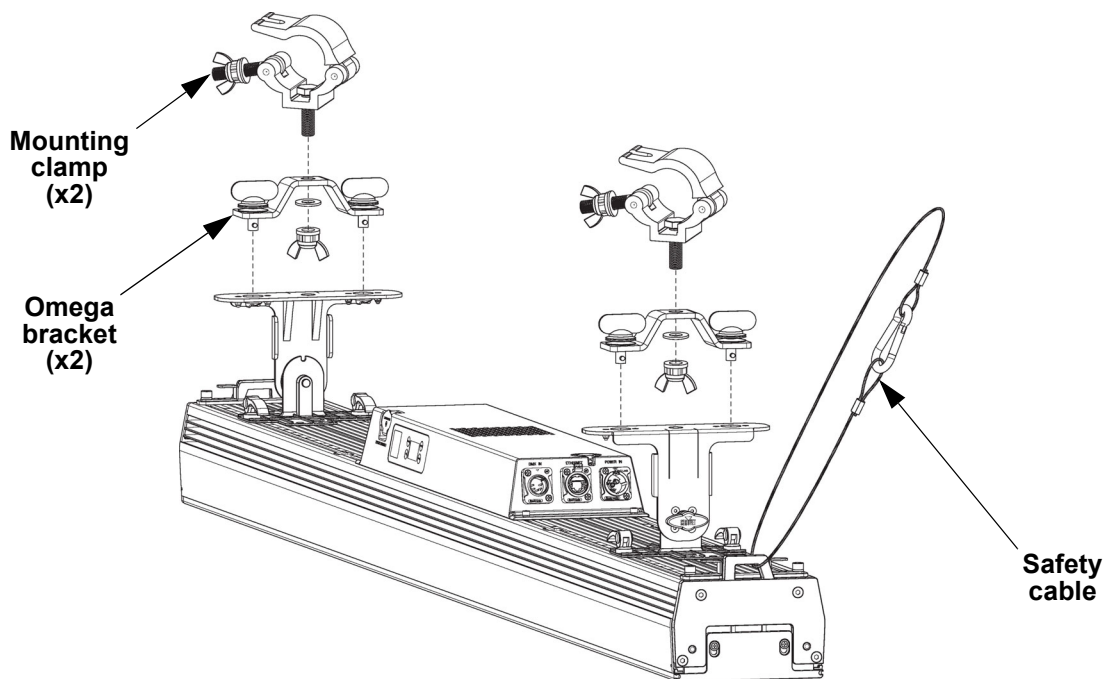
Chauvet recommends using the following general guidelines when mounting this product.

- Before deciding on a location for the product, make sure there is easy access to the product for maintenance and programming purposes.
- Make sure that the structure and attachment points can support the weight before hanging the product (see the [Technical Specifications](#) for weight information).
- When mounting the product overhead, always use a safety cable. Mount the product securely to a rigging point, whether an elevated platform or a truss.
- When rigging the product onto a truss, use a mounting clamp of appropriate weight capacity.

Procedure

The COLORado Solo Bar 6 comes with Omega brackets. The user can directly attach a mounting clamp to these Omega brackets. Make sure the clamp is capable of supporting the weight of this product. For the Chauvet Professional line of mounting clamps, go to <http://www.trusst.com/products>.

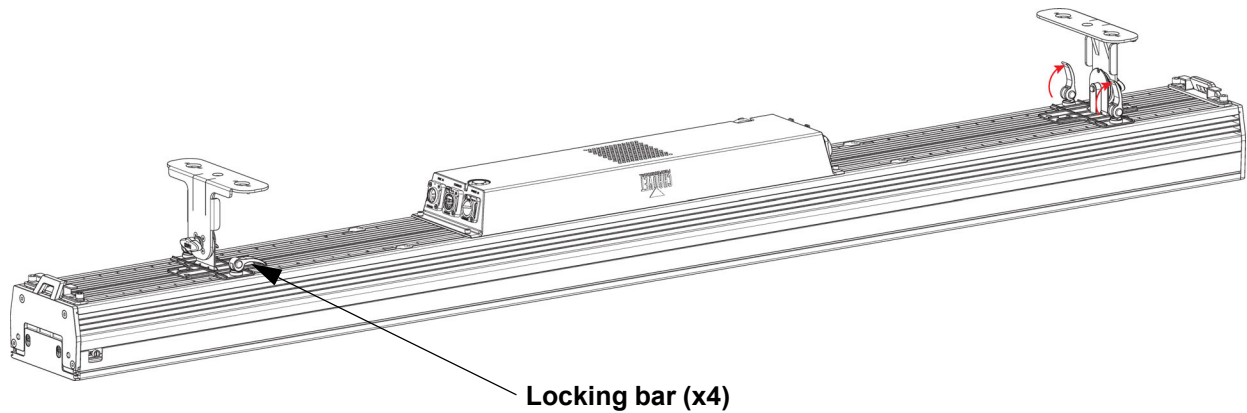
Mounting Diagram



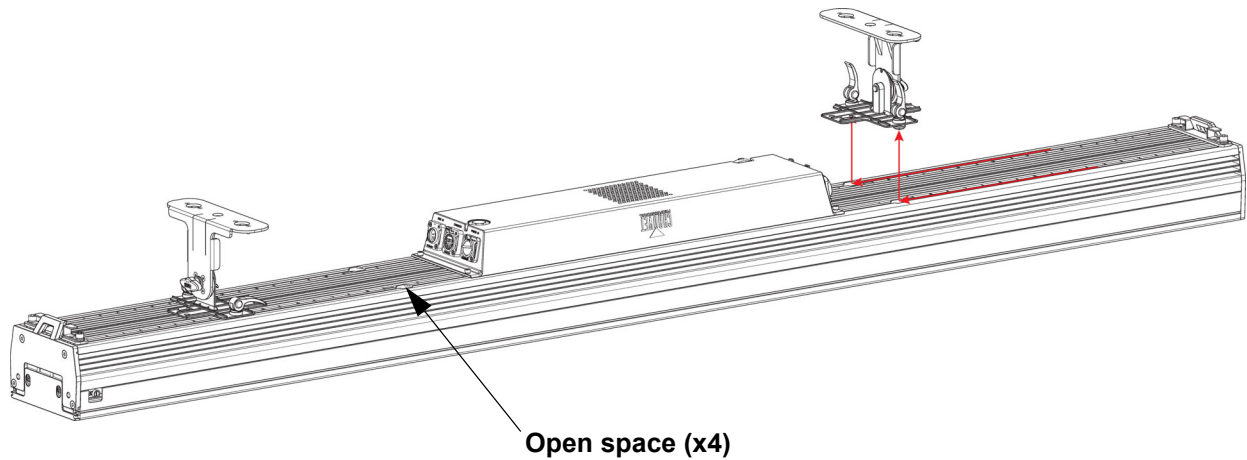
Setup

Rotating the Yokes

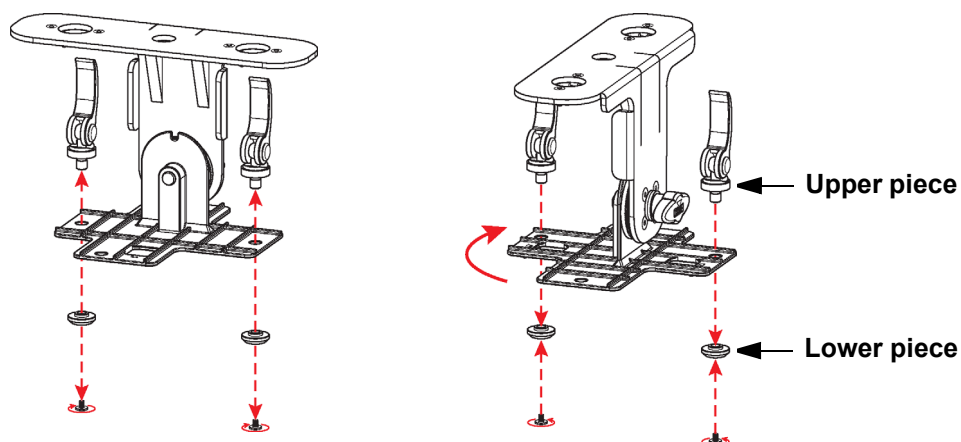
To rotate the yokes and make them less visible in mounting applications:



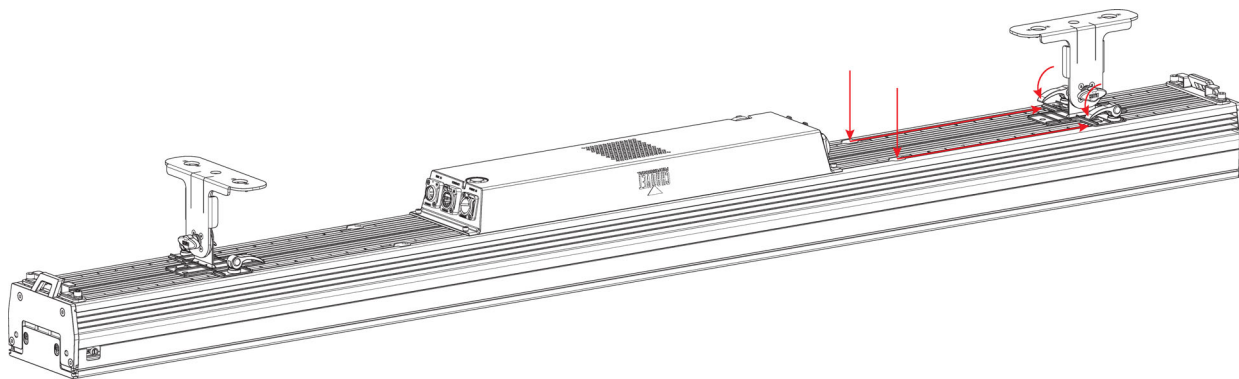
1. Open the locking bars.



2. Slide the yoke assembly along the tracks to the open spaces and remove it.

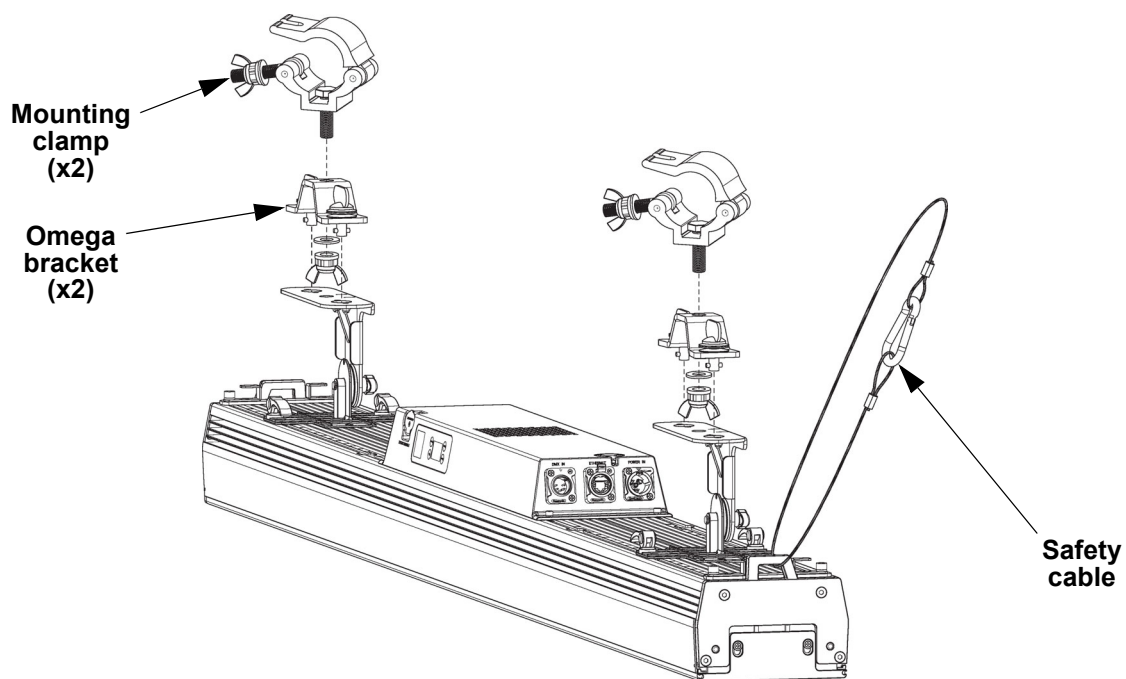


3. Uninstall the locking bars by removing a screw each and separating the lower pieces.
4. Install the locking bars in the alternate holes:
 - a. Insert the upper pieces.
 - b. Attach the lower pieces on the other side.
 - c. Secure with the screws.
5. Turn the yoke assembly 90°.



6. Insert the locking bar lower pieces into the open spaces on the tracks and slide to the desired position.
7. Close the locking bars.

Rotated Yoke Mounting Diagram

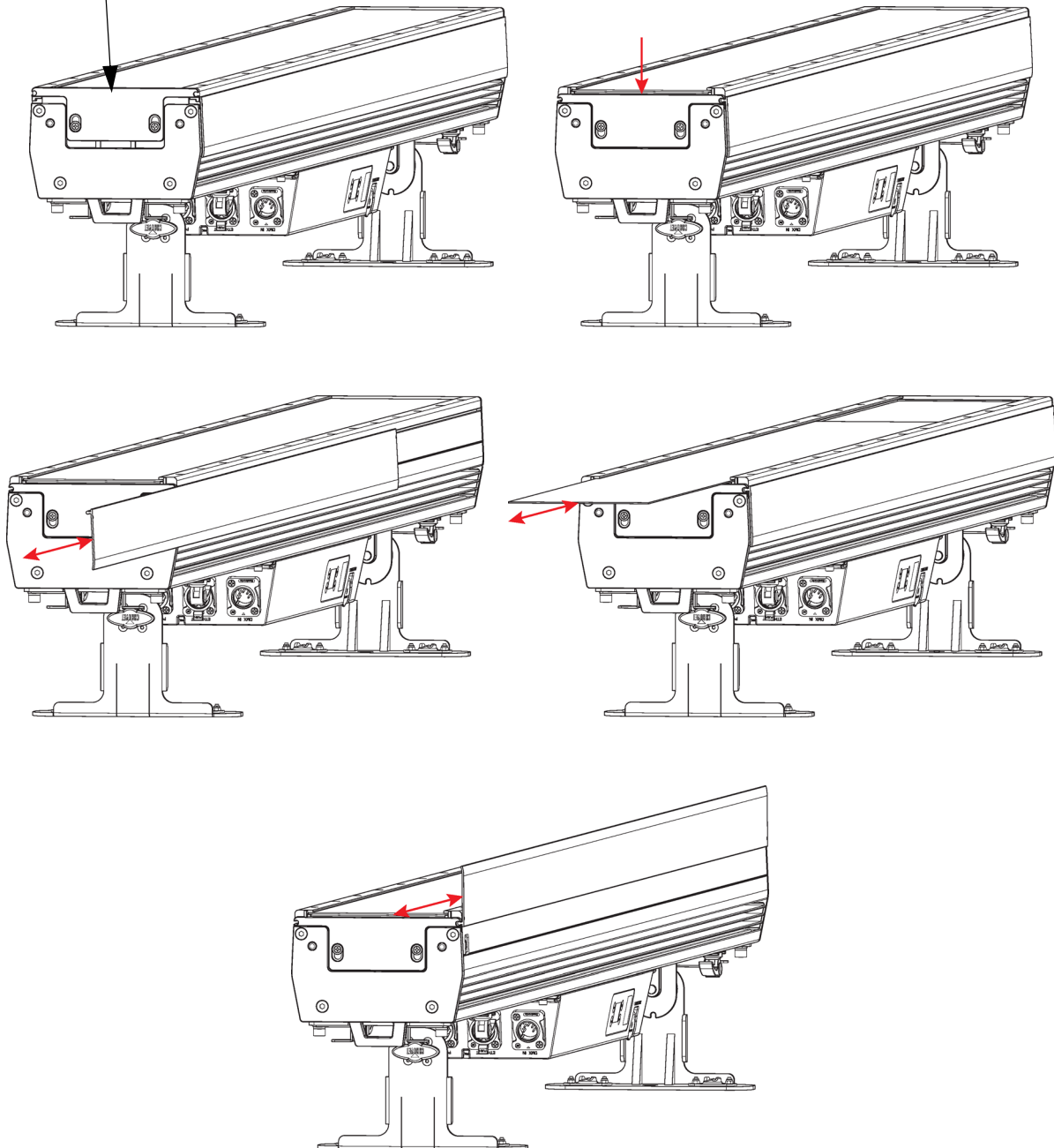


Glare Shield and Filters

The COLORado Solo Bar 6 comes with a glare shield, which can be stored or installed in a slot on the side of the product, and 4 filters including the clear protective filter which comes installed. The product keeps the glare shield and filter in place with a spring-loaded locking plate. To access the filter and glare shield slots:

1. Press and hold down the locking plate.
2. Slide the glare shield or filter out.
3. Slide the desired filter in, turn the glare shield to the desired orientation and slide it back in, or set the glare shield aside.
4. Release the locking plate.

Locking plate



Alignment Pins

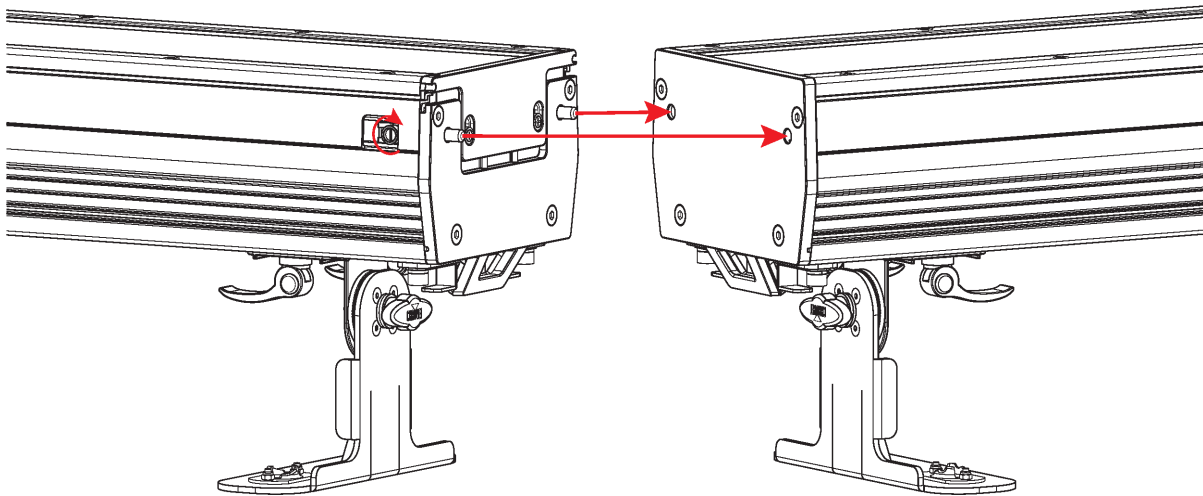
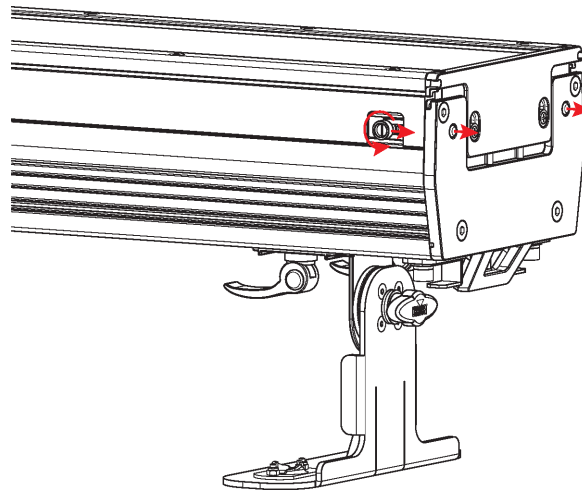
The COLORado Solo Bar 6 has 2 alignment pins which can assist in keeping linearly mounted products together in a straight line. To access and use the alignment pins:

1. Install the glare shield upright or remove it from the product, as shown in [Glare Shield and Filters](#).
2. Loosen the alignment pin locking screws on either side of the product with a flat-head screwdriver.



Only loosen the locking screws enough to allow movement of the pins.

3. Slide the locking screws so that the alignment pins emerge from the product.
4. Tighten the alignment pin locking screws until secure in place.
5. Insert the alignment pins into the alignment holes of another COLORado Solo Bar product during the mounting process.



4. Operation

Control Panel Description

Button	Function
<MENU>	Exits from the current menu or function
<ENTER>	Enables the currently displayed menu or sets the currently selected value into the selected function
<UP>	Navigates upwards through the menu list or increases the numeric value when in a function
<DOWN>	Navigates downwards through the menu list or decreases the numeric value when in a function

Programming

Refer to the Menu Map to understand the menu options. The menu map shows the main level and a variable number of programming levels for each option.

- To go to the desired main level, press <MENU> repeatedly until the option shows on the display. Press <ENTER> to select. This will enter the first programming level for that option.
- To select an option or value within the current programming level, press <UP> or <DOWN> until the option shows on the display. Press <ENTER> to select. In this case, if there is another programming level, that first option or the selected value will show on the display.
- Press <MENU> repeatedly to exit to the previous main level.

Passcode

After being prompted to enter the passcode, press <UP>, <DOWN>, <UP>, <DOWN>, <ENTER>.

Menu Map

Refer to the COLORado Solo Bar 6 product page on www.chauvetprofessional.com for the latest menu map and software.

Main Menu	Programming Levels		Description
Protocol	DMX512		Sets the control protocol
	Artnet		
	sACN		
DMX Address	Address	001–510*	Selects DMX address (*Highest channel restricted by personality)
DMX Channel	1 Cell	CCT 4ch	1-cell, 4-channel: dimmer, color temperature, tint, control
		HSV 4ch	1-cell, 4-channel: hue, sat., value, control
		RGB 3ch	1-cell, 3-channel: RGB
		RGBW 4ch	1-cell, 4-channel: RGBW
		RGBWL 5ch	1-cell, 5-channel: RGBW
		RGBWL 16-bit 10ch	1-cell, 10-channel: 16-bit RGBWL
		RGB Ext. 10ch	1-cell, 10-channel: dimmer, RGB, color temperature, tint, blend, strobe, virtual color wheel, control
		RGBW Ext. 11ch	1-cell, 11-channel: dimmer, RGBW, color temperature, tint, blend, strobe, virtual color wheel, control
		RGBWL Ext. 12ch	1-cell, 12-channel: dimmer, RGBWL, color temperature, tint, blend, strobe, virtual color wheel, control
		RGBWL Full 19ch	1-cell, 19-channel: 16-bit dimmer, 16-bit RGBWL, 16-bit color temperature, tint, blend, strobe, virtual color wheel, control
		XY 4ch	1-cell, 4-channel: dimmer, XY, control
		XY Ext. 9ch	1-cell, 9-channel: dimmer, 16-bit XY, strobe, virtual color wheel, control

Main Menu	Programming Levels	Description	
DMX Channel (cont.)	2 Cell	CCT 7ch	2-cell, 7-channel: dimmer, color temperature, tint, control
		HSV 7ch	2-cell, 7-channel: hue, sat., value, control
		RGB 6ch	2-cell, 6-channel: RGB
		RGBW 8ch	2-cell, 8-channel: RGBW
		RGBWL 10ch	2-cell, 10-channel: RGBWL
		RGBWL 16-bit 20ch	2-cell, 20-channel: 16-bit RGBWL
		RGB Ext. 17ch	2-cell, 17-channel: dimmer, RGB, color temperature, tint, blend, master strobe, master virtual color wheel, control
		RGBW Ext. 19ch	2-cell, 19-channel: dimmer, RGBW, color temperature, tint, blend, master strobe, master virtual color wheel, control
		RGBWL Ext. 21ch	2-cell, 21-channel: dimmer, RGBWL, color temperature, tint, blend, master strobe, master virtual color wheel, control
	RGBWL Full 35ch	2-cell, 35-channel: 16-bit dimmer, 16-bit RGBWL, 16-bit color temperature, tint, blend, master strobe, master virtual color wheel, control	
	XY 7ch	2-cell, 7-channel: dimmer, XY, control	
	XY Ext. 17ch	2-cell, 17-channel: dimmer, 16-bit XY, strobe, virtual color wheel, control	
	4 Cell	CCT 13ch	4-cell, 13-channel: dimmer, color temperature, tint, control
		HSV 13ch	4-cell, 13-channel: hue, sat., value, control
		RGB 12ch	4-cell, 12-channel: RGB
		RGBW 16ch	4-cell, 16-channel: RGBW
		RGBWL 20ch	4-cell, 20-channel: RGBWL
		RGBWL 16-bit 40ch	4-cell, 40-channel: 16-bit RGBWL
		RGB Ext. 31ch	4-cell, 31-channel: dimmer, RGB, color temperature, tint, blend, master strobe, master virtual color wheel, control
RGBW Ext. 35ch		4-cell, 35-channel: dimmer, RGBW, color temperature, tint, blend, master strobe, master virtual color wheel, control	
RGBWL Ext. 39ch		4-cell, 39-channel: dimmer, RGBWL, color temperature, tint, blend, master strobe, master virtual color wheel, control	
RGBWL Full 67ch		4-cell, 67-channel: 16-bit dimmer, 16-bit RGBWL, 16-bit color temperature, tint, blend, master strobe, master virtual color wheel, control	
XY 13ch	4-cell, 13-channel: dimmer, XY, control		
XY Ext. 33ch	4-cell, 33-channel: dimmer, 16-bit XY, strobe, virtual color wheel, control		

Main Menu	Programming Levels	Description	
DMX Channel (cont.)	6 Cell	CCT 19ch	6-cell, 19-channel: dimmer, color temperature, tint, control
		HSV 19ch	6-cell, 19-channel: hue, sat., value, control
		RGB 18ch	6-cell, 18-channel: RGB
		RGBW 24ch	6-cell, 24-channel: RGBW
		RGBWL 30ch	6-cell, 30-channel: RGBWL
		RGBWL 16-bit 60ch	6-cell, 60-channel: 16-bit RGBWL
		RGB Ext. 45ch	6-cell, 45-channel: dimmer, RGB, color temperature, tint, blend, master strobe, master virtual color wheel, control
		RGBW Ext. 51ch	6-cell, 51-channel: dimmer, RGBW, color temperature, tint, blend, master strobe, master virtual color wheel, control
		RGBWL Ext. 57ch	6-cell, 57-channel: dimmer, RGBWL, color temperature, tint, blend, master strobe, master virtual color wheel, control
		RGBWL Full 99ch	6-cell, 99-channel: 16-bit dimmer, 16-bit RGBWL, 16-bit color temperature, tint, blend, master strobe, master virtual color wheel, control
	XY 19ch	6-cell, 19-channel: dimmer, XY, control	
	XY Ext. 49ch	6-cell, 49-channel: dimmer, 16-bit XY, strobe, virtual color wheel, control	
	8 Cell	CCT 25ch	8-cell, 25-channel: dimmer, color temperature, tint, control
		HSV 25ch	8-cell, 25-channel: hue, sat., value, control
		RGB 24ch	8-cell, 24-channel: RGB
		RGBW 32ch	8-cell, 32-channel: RGBW
		RGBWL 40ch	8-cell, 40-channel: RGBWL
		RGBWL 16-bit 80ch	8-cell, 80-channel: 16-bit RGBWL
		RGB Ext. 59ch	8-cell, 59-channel: dimmer, RGB, color temperature, tint, blend, master strobe, master virtual color wheel, control
		RGBW Ext. 67ch	8-cell, 67-channel: dimmer, RGBW, color temperature, tint, blend, master strobe, master virtual color wheel, control
RGBWL Ext. 75ch		8-cell, 75-channel: dimmer, RGBWL, color temperature, tint, blend, master strobe, master virtual color wheel, control	
RGBWL Full 131ch		8-cell, 131-channel: 16-bit dimmer, 16-bit RGBWL, 16-bit color temperature, tint, blend, master strobe, master virtual color wheel, control	
XY 25ch	8-cell, 25-channel: dimmer, XY, control		
XY Ext. 65ch	8-cell, 65-channel: dimmer, 16-bit XY, strobe, virtual color wheel, control		

Main Menu	Programming Levels	Description	
DMX Channel (cont.)	12 Cell	CCT 37ch	12-cell, 37-channel: dimmer, color temperature, tint, control
		HSV 37ch	12-cell, 37-channel: hue, sat., value, control
		RGB 36ch	12-cell, 36-channel: RGB
		RGBW 48ch	12-cell, 48-channel: RGBW
		RGBWL 60ch	12-cell, 60-channel: RGBWL
		RGBWL 16-bit 120ch	12-cell, 120-channel: 16-bit RGBWL
		RGB Ext. 87ch	12-cell, 87-channel: dimmer, RGB, color temperature, tint, blend, master strobe, master virtual color wheel, control
		RGBW Ext. 99ch	12-cell, 99-channel: dimmer, RGBW, color temperature, tint, blend, master strobe, master virtual color wheel, control
		RGBWL Ext. 111ch	12-cell, 111-channel: dimmer, RGBWL, color temperature, tint, blend, master strobe, master virtual color wheel, control
		RGBWL Full 195ch	12-cell, 195-channel: 16-bit dimmer, 16-bit RGBWL, 16-bit color temperature, tint, blend, master strobe, master virtual color wheel, control
	XY 37ch	12-cell, 37-channel: dimmer, XY, control	
	XY Ext. 97ch	12-cell, 97-channel: dimmer, 16-bit XY, strobe, virtual color wheel, control	
	24 Cell	CCT 73ch	24-cell, 73-channel: dimmer, color temperature, tint, control
		HSV 73ch	24-cell, 73-channel: hue, sat., value, control
		RGB 72ch	24-cell, 72-channel: RGB
		RGBW 96ch	24-cell, 96-channel: RGBW
		RGBWL 120ch	24-cell, 120-channel: RGBWL
		RGBWL 16-bit 240ch	24-cell, 240-channel: 16-bit RGBWL
		RGB Ext. 171ch	24-cell, 171-channel: dimmer, RGB, color temperature, tint, blend, master strobe, master virtual color wheel, control
		RGBW Ext. 195ch	24-cell, 195-channel: dimmer, RGBW, color temperature, tint, blend, master strobe, master virtual color wheel, control
RGBWL Ext. 219ch		24-cell, 219-channel: dimmer, RGBWL, color temperature, tint, blend, master strobe, master virtual color wheel, control	
RGBWL Full 387ch		24-cell, 387-channel: 16-bit dimmer, 16-bit RGBWL, 16-bit color temperature, tint, blend, master strobe, master virtual color wheel, control	
XY 73ch	24-cell, 73-channel: dimmer, XY, control		
XY Ext. 193ch	24-cell, 193-channel: dimmer, 16-bit XY, strobe, virtual color wheel, control		

Main Menu	Programming Levels		Description	
Static	Fixed Colors	Red	Red	
		Green	Green	
		Blue	Blue	
		Warm White	White	
		Lime	Lime	
		RB	Red and blue	
		GB	Green and blue	
		RG	Red and green	
		RGB	Red, green, and blue	
		RGBWw	Red, green, blue, and white	
		RGBL	Red, green, blue, and lime	
	RGBWwL	Red, green, blue, white, and lime		
	Manual Color Mixer	Red	<000–255>	Combines red, green, blue, warm white, and lime to make a custom color (0–100%)
		Green		
		Blue		
		Warm White		
		Lime		
	Color Temperature	2800K	Dimmer <000–255>	Preset white color temperatures. Emulates a tungsten lamp at the specified color temperature. Refer to the Color Temperature Chart for specific values.
		3000K		
		3200K		
3500K				
4000K				
4500K				
5000K				
5600K		Dimmer <000–255>	Preset white color temperatures. Emulates a tungsten lamp at the specified color temperature. Refer to the Color Temperature Chart for specific values.	
6000K				
6500K				
7000K				
7500K				
8000K				
8000K				
Auto Show	Auto 1–6	<001–100>	Selects automatic programs and auto program speed	

Main Menu	Programming Levels		Description	
Static (cont.)	Virtual Color Wheel	C3050 - Md Yellow	Dimmer <000–255> Virtual Color Wheel simulates the output of each gel color. Refer to the Virtual Color Wheel Chart for specific values.	
		C3040 - Lt Yellow		
		C3240 - Amb Yellow		
		C2340 - VLt Amber		
		C2040 - Lt Amber		
		C2050 - Md Amber		
		C2060 - Dk Amber		
		C1050 - Lt Red		
		C1080 - Md Red		
		C1020 - NC Pink		
		C1030 - Md Pink		
		C1630 - Dk Pink		
		C1250 - Md Red Amber		
		C1060 - Dk Red Amber		
		C1650 - Magenta		
		C6170 - Dk Magenta		
		C6020 - Lt Lavender		
		C5030 - Lt Blue		
		C5020 - VLt Blue		
		C5430 - Lt Blue 2		
		C5070 - Blue		
		C5050 - Md Blue		
		C5060 - Dk Blue		
		C5690 - Indigo		
	C5080 - VDk Blue			
	C5081 - VDk Blue 2			
	C4370 - Yel Green			
C4070 - Green				
C4550 - Turquoise				
C4560 - Aqua				
C4570 - Blue Green				
Color X- Fade Speed	Off		Disables fade transition between colors	
	X-Fade Speed 1		Enables fade transition between colors in the Virtual Color Wheel menu, from fast (X-Fade Speed 1) to slow (X-Fade Speed 4)	
	X-Fade Speed 2			
	X-Fade Speed 3			
	X-Fade Speed 4			
Master/ Slave	Master		Standalone mode	
	Slave		Slave mode	
Test Modes	Auto Test	<Test>	Automatically test output	
	Manual Test	Dimmer	<000–255>	Test dimmer control
		Red		Test red output
		Green		Test green output
		Blue		Test blue output
		Warm White		Test white output
		Lime		Test lime output

Main Menu	Programming Levels			Description	
Wireless Setting	Receive Off/ On	On		Enables/disables CRMX™	
		Off			
	Receive Reset	No		Resets wireless receiver	
	Yes				
Wireless To DMX	No		Enables/disables wireless to DMX		
	Yes				
Ethernet Setting	IP Mode	Manual		Manually set IP address	
		DHCP		Network sets IP address	
		Static		Product sets IP address	
	Universe	000–255 (Art-net™)		Sets the Art-Net™ or sACN universe	
		001–256 (sACN)			
	Start Channel	001–512		Sets the starting channel	
IP Address	- - - - -		Sets each IP address digit from 000–255		
Ethernet To DMX	<No >		Enables/disables Ethernet to DMX		
	<Yes>				
Other Settings	Cell Order	1 > 24		Sets the cell order	
		24 > 1			
	Color Calibration	User Calibration	Off		Color calibration off
			<125–255>	Red	Sets maximum red LED value
				Green	Sets maximum green LED value
				Blue	Sets maximum blue LED value
				Warm White	Sets maximum white LED value
				Lime	Sets maximum lime LED value
	Factory Calibration		Color calibration set by factory		
	Red Shift	On		Enables or disables red shift	
		Off			
	Dimmer Curve	S-Curve		Sets the dimmer curve	
		Linear			
		Square			
		Inverse Square			
	Dimmer Mode	Off		Instantaneous dimmer	
		Dimmer 1–3		Dimmer mode, fast (1) to slow (3)	
Display Back Light	10S		Turns off display backlight after 10 seconds of inactivity		
	30S		Turns off display backlight after 30 seconds		
	2Min		Turns off display backlight after 2 minutes		
	Always On		Display backlight always on		
Display Invert	Auto		Sets display orientation automatically		
	No		Does not invert the display		
	Yes		Inverts the display		
Fan Mode	Auto		Sets the fan to auto mode		
	Full		Sets the fan to full output		
	Silent		Sets the fan to silent mode		
	Off		Sets the fan to always off		

Main Menu	Programming Levels		Description	
Other Settings (cont.)	LED Frequency	600Hz	Sets the Pulse Width Modulation frequency	
		1200Hz		
		2000Hz		
		4000Hz		
		6000Hz		
	Key Lock	On	Locks display (password: <UP>, <DOWN>, <UP>, <DOWN>, <ENTER>)	
Off				
Info & Updating	Information	Fixture Hours	<_ _ _ _ _H>	Shows total hours the product has been on
		LED Hours	<_ _ _ _ _H>	Shows total hours the LEDs have been on
		Disp Ver	<V1.1.3>	Shows current display firmware version
		Drv Ver	<V1.1.0>	Shows current driver firmware version
		UID	21A40_ _ _ _ _	Shows product UID
	Fan Speed	_ _ _ %		Shows the fan speed
	Temperature	DISP:	_ _ °C	Shows display temperature in °C
		LED1-24:	_ _ °C	Shows LED temperatures 1-4 in °C
	Update Firmware	Only This Fixture	_ _ _ _ _ .CHL	Selects an update file for this product, or shows "No such file!"
			...	
		Multiple Fixture	_ _ _ _ _ .CHL	Selects an update file for this and connected COLORado Solo Bar 6 products, or shows "No such file!"
			...	
	Other Fixture Type	_ _ _ _ _ .CHL	Selects an update file for other connected products, or shows "No such file!"	
		...		
Fixture To Fixture	make sure no other signal, Network or DMX controller is being sent! and press enter key to start update		Downloads update file from another COLORado Solo Bar 6 Driver via DMX.	
Clock Setting	2000-2099/01-12/01-31 00-24/01-59/01-59 Save&ESC		Sets the year, month, day, hour, minute, and second	
Current Time	_ _ _ / _ _ / _ _ : _ _ : _ _		Displays the current date and time	
Factory Reset	No		Resets the product to factory default settings	
	Yes			



When operating in Fan Mode: Off and Fan Mode: Silent, the product will become hotter to the touch than when using other fan modes. Use proper protective equipment to prevent burns. Keep a safe distance from flammable objects.



The "Other Fixture Type" option under Upgrade Firmware can only be selected for connected products compatible with the Upload 03 (the first 2 digits of the item code must be 03).

Operation

Control Configuration

Use control configurations to operate the product with a DMX, Art-Net™, or sACN controller.

Control Mode

The COLORado Solo Bar 6 works with DMX, Art-Net™, and sACN control signals. To select the protocol:

1. Go to the **Protocol** main level.
2. Select the desired protocol, from **DMX512**, **ArtNet**, or **sACN**.



See the [Ethernet Settings](#) section for further setup of ethernet protocols (Art-Net™ or sACN).

Control Personalities

To set the control personality:

1. Go to the **DMX Channel** main level.
2. Select from **1 Cell**, **2 Cell**, **4 Cell**, **6 Cell**, **8 Cell**, **12 Cell**, or **24 Cell**.
3. Select the personality from the table below.

1 Cell	2 Cell	4 Cell	6 Cell
CCT 4ch	CCT 7ch	CCT 13ch	CCT 19ch
HSV 4ch	HSV 7ch	HSV 13ch	HSV 19ch
RGB 3ch	RGB 6ch	RGB 12ch	RGB 18ch
RGBW 4ch	RGBW 8ch	RGBW 16ch	RGBW 24ch
RGBWL 5ch	RGBWL 10ch	RGBWL 20ch	RGBWL 30ch
RGBWL 16-bit 10ch	RGBWL 16-bit 20ch	RGBWL 16-bit 40ch	RGBWL 16-bit 60ch
RGB Ext. 10ch	RGB Ext. 17ch	RGB Ext. 31ch	RGB Ext. 45ch
RGBW Ext. 11ch	RGBW Ext. 19ch	RGBW Ext. 35ch	RGBW Ext. 51ch
RGBWL Ext. 12ch	RGBWL Ext. 21ch	RGBWL Ext. 39ch	RGBWL Ext. 57ch
RGBWL Full 19ch	RGBWL Full 35ch	RGBWL Full 67ch	RGBWL Full 99ch
XY 4ch	XY 7ch	XY 13ch	XY 19ch
XY Ext. 9ch	XY Ext. 17ch	XY Ext. 33ch	XY Ext. 49ch

8 Cell	12 Cell	24 Cell
CCT 25ch	CCT 37ch	CCT 73ch
HSV 25ch	HSV 37ch	HSV 73ch
RGB 24ch	RGB 36ch	RGB 72ch
RGBW 32ch	RGBW 48ch	RGBW 96ch
RGBWL 40ch	RGBWL 60ch	RGBWL 120ch
RGBWL 16-bit 80ch	RGBWL 16-bit 120ch	RGBWL 16-bit 240ch
RGB Ext. 59ch	RGB Ext. 87ch	RGB Ext. 171ch
RGBW Ext. 67ch	RGBW Ext. 99ch	RGBW Ext. 195ch
RGBWL Ext. 75ch	RGBWL Ext. 111ch	RGBWL Ext. 219ch
RGBWL Full 131ch	RGBWL Full 195ch	RGBWL Full 387ch
XY 25ch	XY 37ch	XY 73ch
XY Ext. 65ch	XY Ext. 97ch	XY Ext. 193ch



- See the [Starting Address](#) section for the highest selectable starting address for each personality.
- Make sure that the starting addresses on the various products do not overlap.

Starting Address

Each product will respond to a unique starting address from the controller. All products with the same starting address will respond in unison. To set the starting address in DMX mode:

1. Go to the **DMX Address** main level.
2. Select the starting address (**001–510**).

	Personality	Highest Address	Products/ Universe		Personality	Highest Address	Products/ Universe	
1 Cell	CCT 4ch	509	128	6 Cell	RGB Ext. 45ch	468	11	
	HSV 4ch	509	128		RGBW Ext. 51ch	462	10	
	RGB 3ch	510	170		RGBWL Ext. 57ch	456	8	
	RGBW 4ch	509	128		RGBWL Full 99ch	414	5	
	RGBWL 5ch	508	102		XY 19ch	494	26	
	RGBWL 16-bit 10ch	503	51		XY Ext. 49ch	464	10	
	2 Cell	RGB Ext. 10ch	503	51	8 Cell	CCT 25ch	488	20
		RGBW Ext. 11ch	502	46		HSV 25ch	488	20
		RGBWL Ext. 12ch	501	42		RGB 24ch	489	21
		RGBWL Full 19ch	494	26		RGBW 32ch	481	16
		XY 4ch	509	128		RGBWL 40ch	473	12
		XY Ext. 9ch	504	56		RGBWL 16-bit 80ch	433	6
2 Cell		CCT 7ch	506	73		RGB Ext. 59ch	454	8
		HSV 7ch	506	73		RGBW Ext. 67ch	446	7
		RGB 6ch	507	85		RGBWL Ext. 75ch	438	6
		RGBW 8ch	505	64		RGBWL Full 131ch	382	3
	RGBWL 10ch	503	51	XY 25ch	488	20		
	RGBWL 16-bit 20ch	493	25	XY Ext. 65ch	448	7		
	4 Cell	RGB Ext. 17ch	496	30	12 Cell	CCT 37ch	476	13
		RGBW Ext. 19ch	494	26		HSV 37ch	476	13
		RGBWL Ext. 21ch	492	24		RGB 36ch	477	14
		RGBWL Full 35ch	478	14		RGBW 48ch	465	10
XY 7ch		506	73	RGBWL 60ch		453	8	
XY Ext. 17ch		496	30	RGBWL 16-bit 120ch		393	4	
4 Cell		CCT 13ch	500	39		RGB Ext. 87ch	426	5
		HSV 13ch	500	39		RGBW Ext. 99ch	414	5
		RGB 12ch	501	42		RGBWL Ext. 111ch	402	4
		RGBW 16ch	497	32		RGBWL Full 195ch	318	2
	RGBWL 20ch	493	25	XY 37ch	476	13		
	RGBWL 16-bit 40ch	473	12	XY Ext. 97ch	416	5		
	6 Cell	RGB Ext. 31ch	482	16	24 Cell	CCT 73ch	440	7
		RGBW Ext. 35ch	478	14		HSV 73ch	440	7
		RGBWL Ext. 39ch	474	13		RGB 72ch	441	7
		RGBWL Full 67ch	446	7		RGBW 96ch	417	5
XY 13ch		500	39	RGBWL 120ch		393	4	
XY Ext. 33ch		480	15	RGBWL 16-bit 240ch		273	2	
6 Cell		CCT 19ch	494	26		RGB Ext. 171ch	342	2
		HSV 19ch	494	26		RGBW Ext. 195ch	318	2
		RGB 18ch	495	28		RGBWL Ext. 219ch	294	2
		RGBW 24ch	489	21		RGBWL Full 387ch	126	1
	RGBWL 30ch	483	17	XY 73ch	440	7		
	RGBWL 16-bit 60ch	453	8	XY Ext. 193ch	320	2		

Operation

Ethernet Settings

The Ethernet Settings control the universe, start address (Art-Net™ or sACN), IP address, and ethernet conversion functions of the product.

IP Mode

It is possible to set the IP address of the COLORado Solo Bar 6 manually, by the network, or to a preset static address specific to each product. To set the IP mode, follow the instructions below:

1. Go to the **Ethernet Setting** main level.
2. Select the **IP Mode** option.
3. Select the desired IP mode, from **Manual** (set the IP address with the control panel), **DHCP** (the network sets the IP address), or **Static** (a preset address specific to each product).

Universe

To assign an Art-Net™ or sACN universe to the COLORado Solo Bar 6:

1. Go to the **Ethernet Setting** main level.
2. Select the **Universe** option.
3. Set the universe, from **000–255** (for Art-Net™) or from **001–256** (for sACN).

Start Channel

Each product will respond to a unique starting address from the controller. All products with the same starting address will respond in unison. To set the starting address in Art-Net™ or sACN mode:

1. Go to the **Ethernet Setting** main level.
2. Select the **Start Channel** option.
3. Select the starting address (**001–512**)



- See the [Starting Address](#) section for the highest selectable starting address for each personality.
- Make sure that the starting addresses on the various products do not overlap due to the new personality setting.

IP Address

To set the IP address:

1. Go to the **Ethernet Setting** main level.
2. Select the **IP Address** option.
3. Set the first value of the IP address from **000–255**.
4. Press **<ENTER>** to cycle through the 4 values of the IP address.
5. Set the other 3 values from **000–255**.
6. Press **<MENU>** to exit when the IP address is set as desired.

Ethernet to DMX

When Ethernet to DMX is active, the selected universe of the Art-Net™ or sACN signal will be converted to DMX and output through the 5-pin DMX out port.

1. Go to the **Ethernet Setting** main level.
2. Select the **Ethernet To DMX** option.
3. Select from **No** (do not convert) or **Yes** (convert).

Virtual Color Wheel

The COLORado Solo Bar 6 includes a feature called the Virtual Color Wheel (VCW). This feature is available as a standalone control mode and as a control channel in select DMX personalities. More than 30 premixed colors, custom blended by Chauvet engineers, are available to call up for easier programming.

The DMX values used for these colors are provided below. The intensity of the output can be adjusted to more closely replicate industry-standard colors. A chart is available at www.chauvetprofessional.com to compare Chauvet's premixed colors with popular gel colors. This chart is for comparison purposes only and is not an assertion that Chauvet's premixed colors match any of the gel colors listed.

Virtual Color Wheel Chart

DMX Value	Display Readout	Red	Green	Blue	White	Lime
000 ⇔ 005	--	--	--	--	--	--
006 ⇔ 013	C3050–Md Yellow	255	255	000	255	000
014 ⇔ 021	C3040–Lt Yellow	255	235	006	255	000
022 ⇔ 028	C3240–Amb Yellow	255	230	000	255	000
029 ⇔ 035	C2340–VLt Amber	255	119	015	255	000
036 ⇔ 043	C2040–Lt Amber	255	060	006	255	039
044 ⇔ 051	C2050–Md Amber	255	102	000	255	000
052 ⇔ 059	C2060–Dk Amber	255	056	000	255	000
060 ⇔ 067	C1050–Lt Red	255	000	001	005	003
068 ⇔ 075	C1080–Md Red	255	000	000	002	000
076 ⇔ 083	C1020–NC Pink	220	010	019	000	255
084 ⇔ 091	C1030–Md Pink	255	000	023	000	176
092 ⇔ 099	C1630–Dk Pink	232	018	023	000	255
100 ⇔ 107	C1250–Md Red Amber	255	000	000	013	018
108 ⇔ 115	C1060–Dk Red Amber	255	000	005	000	008
116 ⇔ 121	C1650–Magenta	255	000	027	000	055
122 ⇔ 130	C6170–Dk Magenta	255	000	064	000	000
131 ⇔ 138	C6020–Lt Lavender	255	190	064	000	255
139 ⇔ 146	C5030–Lt Blue	030	255	099	030	028
147 ⇔ 154	C5020–VLt Blue	038	255	103	044	094
155 ⇔ 162	C5430–Lt Blue2	022	255	075	026	030
163 ⇔ 170	C5070–Blue	015	255	165	000	000
171 ⇔ 178	C5050–Md Blue	055	255	122	000	000
179 ⇔ 186	C5060–Dk Blue	040	255	169	000	000
187 ⇔ 194	C5690–Indigo	040	000	255	006	000
195 ⇔ 202	C5080–VDk Blue	000	230	255	006	000
203 ⇔ 210	C5081–VDk Blue2	000	178	255	010	000
211 ⇔ 218	C4370–Yel Green	006	255	004	010	000
219 ⇔ 226	C4070–Green	039	255	007	012	000
227 ⇔ 234	C4550–Turquoise	090	255	024	000	000
235 ⇔ 242	C4560–Aqua	070	255	028	000	006
243 ⇔ 250	C4570–Blue Green	000	255	026	000	005
251 ⇔ 255	--	--	--	--	--	--



The colors above are simulated renditions of the color output produced compared with other similar incandescent products. Chauvet makes no guarantee of the color output accuracy.

Operation

Color Temperature Chart

DMX Value	Temperature	R	G	B	W	L	DMX Value	Temperature	R	G	B	W	L
000 ⇔ 005	No function						161	5000K	026	073	032	255	040
006	2800K	075	009	000	255	078	162 ⇔ 202	5001–5599K					
007 ⇔ 020	2801–2999K						203	5600K	017	081	035	255	013
021	3000K	063	019	003	255	63	204 ⇔ 216	5601–5999K					
022 ⇔ 034	3001–3199K						217	6000K	016	091	040	255	015
035	3200K	053	023	007	255	059	218 ⇔ 223	6001–6499K					
036 ⇔ 055	3201–3499K						224	6500K	014	095	045	255	017
056	3500K	046	033	011	255	059	225 ⇔ 230	6501–6999K					
057 ⇔ 090	3501–3999K						231	7000K	012	100	051	255	019
091	4000K	036	046	019	255	050	232 ⇔ 237	7001–7499K					
092 ⇔ 125	4001–4499K						238	7500K	012	108	057	255	021
126	4500K	030	059	026	255	049	239 ⇔ 244	7501–7999K					
127 ⇔ 160	4501–4999K						245 ⇔ 255	8000K	012	116	063	255	024



The color temperatures above are simulated renditions of the color output produced compared with a tungsten lamp at the specified color temperature. Chauvet makes no guarantee of the color output accuracy.

DMX Channel Assignments and Values

Control Chart

Value	Percent/Setting	Value	Percent/Setting	Value	Percent/Setting
000 ⇔ 009	No function	080 ⇔ 084	X-Fade speed 3	145 ⇔ 149	PWM 4000 Hz
010 ⇔ 014	Reset dimmer	085 ⇔ 089	X-Fade speed 4	150 ⇔ 154	PWM 6000 Hz
015 ⇔ 024	Reserved for future use	090 ⇔ 094	White calibration off	155 ⇔ 159	PWM 25000 Hz
025 ⇔ 029	S-curve dimmer	095 ⇔ 099	User custom white calibration	160 ⇔ 164	Cell order 1 > 16
030 ⇔ 034	Linear dimmer	100 ⇔ 104	Factory white calibration	165 ⇔ 169	Cell order 16 > 1
035 ⇔ 039	Square dimmer	105 ⇔ 109	No function	170 ⇔ 174	Do not invert display
040 ⇔ 044	Inverse square dimmer	110 ⇔ 114	Fan mode auto	175 ⇔ 179	Invert display
045 ⇔ 059	Dimmer mode off	115 ⇔ 119	Fan mode full	180 ⇔ 184	Key lock on
050 ⇔ 054	Dimmer mode 1 (fast)	120 ⇔ 124	Fan mode silent	185 ⇔ 189	Key lock off
055 ⇔ 059	Dimmer mode 2	125 ⇔ 129	Fan mode off	190 ⇔ 194	Red shift on
060 ⇔ 064	Dimmer mode 3 (slow)	130 ⇔ 134	PWM 600 Hz	195 ⇔ 199	Red shift off
065 ⇔ 069	X-Fade speed off	135 ⇔ 139	PWM 1200 Hz	200 ⇔ 243	Reserved for future use
070 ⇔ 074	X-Fade speed 1	140 ⇔ 144	PWM 2000 Hz	244 ⇔ 249	Dimmer mode override
075 ⇔ 079	X-Fade speed 2			250 ⇔ 255	Reserved for future use

Strobe Chart

Value	Percent/Setting	Value	Percent/Setting
000 ⇔ 009	No function	145 ⇔ 149	No function
010 ⇔ 084	Strobe, slow to fast	150 ⇔ 199	Random strobe all, slow to fast
085 ⇔ 094	No function	200 ⇔ 204	No function
095 ⇔ 144	Lightning effect, slow to fast	205 ⇔ 255	Random strobe cells, slow to fast

24 Cell Personalities

XY

XY	Ext.	Function	Value	Percent/Setting
1	1	Dimmer 1	000 ⇔ 255	0–100%
–	2	Fine dimmer 1	000 ⇔ 255	0–100%
2	3	X coordinate 1	000 ⇔ 255	0–100%
–	4	Fine X coordinate 1	000 ⇔ 255	0–100%
3	5	Y coordinate 1	000 ⇔ 255	0–100%
–	6	Fine Y coordinate 1	000 ⇔ 255	0–100%
–	7	Strobe 1	000 ⇔ 255	See the Strobe Chart
–	8	Virtual Color Wheel 1	000 ⇔ 255	See the Virtual Color Wheel Chart
4	9	Dimmer 2	000 ⇔ 255	0–100%
–	10	Fine dimmer 2	000 ⇔ 255	0–100%
5	11	X coordinate 2	000 ⇔ 255	0–100%
–	12	Fine X coordinate 2	000 ⇔ 255	0–100%
6	13	Y coordinate 2	000 ⇔ 255	0–100%
–	14	Fine Y coordinate 2	000 ⇔ 255	0–100%
–	15	Strobe 2	000 ⇔ 255	See the Strobe Chart
–	16	Virtual Color Wheel 2	000 ⇔ 255	See the Virtual Color Wheel Chart
7	17	Dimmer 3	000 ⇔ 255	0–100%
–	18	Fine dimmer 3	000 ⇔ 255	0–100%
8	19	X coordinate 3	000 ⇔ 255	0–100%
–	20	Fine X coordinate 3	000 ⇔ 255	0–100%
9	21	Y coordinate 3	000 ⇔ 255	0–100%
–	22	Fine Y coordinate 3	000 ⇔ 255	0–100%
–	23	Strobe 3	000 ⇔ 255	See the Strobe Chart
–	24	Virtual Color Wheel 3	000 ⇔ 255	See the Virtual Color Wheel Chart
10	25	Dimmer 4	000 ⇔ 255	0–100%
–	26	Fine dimmer 4	000 ⇔ 255	0–100%
11	27	X coordinate 4	000 ⇔ 255	0–100%
–	28	Fine X coordinate 4	000 ⇔ 255	0–100%
12	29	Y coordinate 4	000 ⇔ 255	0–100%
–	30	Fine Y coordinate 4	000 ⇔ 255	0–100%
–	31	Strobe 4	000 ⇔ 255	See the Strobe Chart
–	32	Virtual Color Wheel 4	000 ⇔ 255	See the Virtual Color Wheel Chart
13	33	Dimmer 5	000 ⇔ 255	0–100%
–	34	Fine dimmer 5	000 ⇔ 255	0–100%
14	35	X coordinate 5	000 ⇔ 255	0–100%
–	36	Fine X coordinate 5	000 ⇔ 255	0–100%
15	37	Y coordinate 5	000 ⇔ 255	0–100%
–	38	Fine Y coordinate 5	000 ⇔ 255	0–100%
–	39	Strobe 5	000 ⇔ 255	See the Strobe Chart
–	40	Virtual Color Wheel 5	000 ⇔ 255	See the Virtual Color Wheel Chart
16	41	Dimmer 6	000 ⇔ 255	0–100%
–	42	Fine dimmer 6	000 ⇔ 255	0–100%
17	43	X coordinate 6	000 ⇔ 255	0–100%
–	44	Fine X coordinate 6	000 ⇔ 255	0–100%

Operation

XY	Ext.	Function	Value	Percent/Setting
18	45	Y coordinate 6	000 ⇔ 255	0–100%
–	46	Fine Y coordinate 6	000 ⇔ 255	0–100%
–	47	Strobe 6	000 ⇔ 255	See the Strobe Chart
–	48	Virtual Color Wheel 6	000 ⇔ 255	See the Virtual Color Wheel Chart
19	49	Dimmer 7	000 ⇔ 255	0–100%
–	50	Fine dimmer 7	000 ⇔ 255	0–100%
20	51	X coordinate 7	000 ⇔ 255	0–100%
–	52	Fine X coordinate 7	000 ⇔ 255	0–100%
21	53	Y coordinate 7	000 ⇔ 255	0–100%
–	54	Fine Y coordinate 7	000 ⇔ 255	0–100%
–	55	Strobe 7	000 ⇔ 255	See the Strobe Chart
–	56	Virtual Color Wheel 7	000 ⇔ 255	See the Virtual Color Wheel Chart
22	57	Dimmer 8	000 ⇔ 255	0–100%
–	58	Fine dimmer 8	000 ⇔ 255	0–100%
23	59	X coordinate 8	000 ⇔ 255	0–100%
–	60	Fine X coordinate 8	000 ⇔ 255	0–100%
24	61	Y coordinate 8	000 ⇔ 255	0–100%
–	62	Fine Y coordinate 8	000 ⇔ 255	0–100%
–	63	Strobe 8	000 ⇔ 255	See the Strobe Chart
–	64	Virtual Color Wheel 8	000 ⇔ 255	See the Virtual Color Wheel Chart
25	65	Dimmer 9	000 ⇔ 255	0–100%
–	66	Fine dimmer 9	000 ⇔ 255	0–100%
26	67	X coordinate 9	000 ⇔ 255	0–100%
–	68	Fine X coordinate 9	000 ⇔ 255	0–100%
27	69	Y coordinate 9	000 ⇔ 255	0–100%
–	70	Fine Y coordinate 9	000 ⇔ 255	0–100%
–	71	Strobe 9	000 ⇔ 255	See the Strobe Chart
–	72	Virtual Color Wheel 9	000 ⇔ 255	See the Virtual Color Wheel Chart
28	73	Dimmer 10	000 ⇔ 255	0–100%
–	74	Fine dimmer 10	000 ⇔ 255	0–100%
29	75	X coordinate 10	000 ⇔ 255	0–100%
–	76	Fine X coordinate 10	000 ⇔ 255	0–100%
30	77	Y coordinate 10	000 ⇔ 255	0–100%
–	78	Fine Y coordinate 10	000 ⇔ 255	0–100%
–	79	Strobe 10	000 ⇔ 255	See the Strobe Chart
–	80	Virtual Color Wheel 10	000 ⇔ 255	See the Virtual Color Wheel Chart
31	81	Dimmer 11	000 ⇔ 255	0–100%
–	82	Fine dimmer 11	000 ⇔ 255	0–100%
32	83	X coordinate 11	000 ⇔ 255	0–100%
–	84	Fine X coordinate 11	000 ⇔ 255	0–100%
33	85	Y coordinate 11	000 ⇔ 255	0–100%
–	86	Fine Y coordinate 11	000 ⇔ 255	0–100%
–	87	Strobe 11	000 ⇔ 255	See the Strobe Chart
–	88	Virtual Color Wheel 11	000 ⇔ 255	See the Virtual Color Wheel Chart
34	89	Dimmer 12	000 ⇔ 255	0–100%
–	90	Fine dimmer 12	000 ⇔ 255	0–100%
35	91	X coordinate 12	000 ⇔ 255	0–100%

XY	Ext.	Function	Value	Percent/Setting
-	92	Fine X coordinate 12	000 ⇔ 255	0–100%
36	93	Y coordinate 12	000 ⇔ 255	0–100%
-	94	Fine Y coordinate 12	000 ⇔ 255	0–100%
-	95	Strobe 12	000 ⇔ 255	See the Strobe Chart
-	96	Virtual Color Wheel 12	000 ⇔ 255	See the Virtual Color Wheel Chart
37	97	Dimmer 13	000 ⇔ 255	0–100%
-	98	Fine dimmer 13	000 ⇔ 255	0–100%
38	99	X coordinate 13	000 ⇔ 255	0–100%
-	100	Fine X coordinate 13	000 ⇔ 255	0–100%
39	101	Y coordinate 13	000 ⇔ 255	0–100%
-	102	Fine Y coordinate 13	000 ⇔ 255	0–100%
-	103	Strobe 13	000 ⇔ 255	See the Strobe Chart
-	104	Virtual Color Wheel 13	000 ⇔ 255	See the Virtual Color Wheel Chart
40	105	Dimmer 14	000 ⇔ 255	0–100%
-	106	Fine dimmer 14	000 ⇔ 255	0–100%
41	107	X coordinate 14	000 ⇔ 255	0–100%
-	108	Fine X coordinate 14	000 ⇔ 255	0–100%
42	109	Y coordinate 14	000 ⇔ 255	0–100%
-	110	Fine Y coordinate 14	000 ⇔ 255	0–100%
-	111	Strobe 14	000 ⇔ 255	See the Strobe Chart
-	112	Virtual Color Wheel 14	000 ⇔ 255	See the Virtual Color Wheel Chart
43	113	Dimmer 15	000 ⇔ 255	0–100%
-	114	Fine dimmer 15	000 ⇔ 255	0–100%
44	115	X coordinate 15	000 ⇔ 255	0–100%
-	116	Fine X coordinate 15	000 ⇔ 255	0–100%
45	117	Y coordinate 15	000 ⇔ 255	0–100%
-	118	Fine Y coordinate 15	000 ⇔ 255	0–100%
-	119	Strobe 15	000 ⇔ 255	See the Strobe Chart
-	120	Virtual Color Wheel 15	000 ⇔ 255	See the Virtual Color Wheel Chart
46	121	Dimmer 16	000 ⇔ 255	0–100%
-	122	Fine dimmer 16	000 ⇔ 255	0–100%
47	123	X coordinate 16	000 ⇔ 255	0–100%
-	124	Fine X coordinate 16	000 ⇔ 255	0–100%
48	125	Y coordinate 16	000 ⇔ 255	0–100%
-	126	Fine Y coordinate 16	000 ⇔ 255	0–100%
-	127	Strobe 16	000 ⇔ 255	See the Strobe Chart
-	128	Virtual Color Wheel 16	000 ⇔ 255	See the Virtual Color Wheel Chart
49	129	Dimmer 17	000 ⇔ 255	0–100%
-	130	Fine dimmer 17	000 ⇔ 255	0–100%
50	131	X coordinate 17	000 ⇔ 255	0–100%
-	132	Fine X coordinate 17	000 ⇔ 255	0–100%
51	133	Y coordinate 17	000 ⇔ 255	0–100%
-	134	Fine Y coordinate 17	000 ⇔ 255	0–100%
-	135	Strobe 17	000 ⇔ 255	See the Strobe Chart
-	136	Virtual Color Wheel 17	000 ⇔ 255	See the Virtual Color Wheel Chart
52	137	Dimmer 18	000 ⇔ 255	0–100%
-	138	Fine dimmer 18	000 ⇔ 255	0–100%

Operation

XY	Ext.	Function	Value	Percent/Setting
53	139	X coordinate 18	000 ⇔ 255	0–100%
–	140	Fine X coordinate 18	000 ⇔ 255	0–100%
54	141	Y coordinate 18	000 ⇔ 255	0–100%
–	142	Fine Y coordinate 18	000 ⇔ 255	0–100%
–	143	Strobe 18	000 ⇔ 255	See the Strobe Chart
–	144	Virtual Color Wheel 18	000 ⇔ 255	See the Virtual Color Wheel Chart
55	145	Dimmer 19	000 ⇔ 255	0–100%
–	146	Fine dimmer 19	000 ⇔ 255	0–100%
56	147	X coordinate 19	000 ⇔ 255	0–100%
–	148	Fine X coordinate 19	000 ⇔ 255	0–100%
57	149	Y coordinate 19	000 ⇔ 255	0–100%
–	150	Fine Y coordinate 19	000 ⇔ 255	0–100%
–	151	Strobe 19	000 ⇔ 255	See the Strobe Chart
–	152	Virtual Color Wheel 19	000 ⇔ 255	See the Virtual Color Wheel Chart
58	153	Dimmer 20	000 ⇔ 255	0–100%
–	154	Fine dimmer 20	000 ⇔ 255	0–100%
59	155	X coordinate 20	000 ⇔ 255	0–100%
–	156	Fine X coordinate 20	000 ⇔ 255	0–100%
60	157	Y coordinate 20	000 ⇔ 255	0–100%
–	158	Fine Y coordinate 20	000 ⇔ 255	0–100%
–	159	Strobe 20	000 ⇔ 255	See the Strobe Chart
–	160	Virtual Color Wheel 20	000 ⇔ 255	See the Virtual Color Wheel Chart
61	161	Dimmer 21	000 ⇔ 255	0–100%
–	162	Fine dimmer 21	000 ⇔ 255	0–100%
64	163	X coordinate 21	000 ⇔ 255	0–100%
–	164	Fine X coordinate 21	000 ⇔ 255	0–100%
63	165	Y coordinate 21	000 ⇔ 255	0–100%
–	166	Fine Y coordinate 21	000 ⇔ 255	0–100%
–	167	Strobe 21	000 ⇔ 255	See the Strobe Chart
–	168	Virtual Color Wheel 21	000 ⇔ 255	See the Virtual Color Wheel Chart
64	169	Dimmer 22	000 ⇔ 255	0–100%
–	170	Fine dimmer 22	000 ⇔ 255	0–100%
65	171	X coordinate 22	000 ⇔ 255	0–100%
–	172	Fine X coordinate 22	000 ⇔ 255	0–100%
66	173	Y coordinate 22	000 ⇔ 255	0–100%
–	174	Fine Y coordinate 22	000 ⇔ 255	0–100%
–	175	Strobe 22	000 ⇔ 255	See the Strobe Chart
–	176	Virtual Color Wheel 22	000 ⇔ 255	See the Virtual Color Wheel Chart
67	177	Dimmer 23	000 ⇔ 255	0–100%
–	178	Fine dimmer 23	000 ⇔ 255	0–100%
68	179	X coordinate 23	000 ⇔ 255	0–100%
–	180	Fine X coordinate 23	000 ⇔ 255	0–100%
69	181	Y coordinate 23	000 ⇔ 255	0–100%
–	182	Fine Y coordinate 23	000 ⇔ 255	0–100%
–	183	Strobe 23	000 ⇔ 255	See the Strobe Chart
–	184	Virtual Color Wheel 23	000 ⇔ 255	See the Virtual Color Wheel Chart
70	185	Dimmer 24	000 ⇔ 255	0–100%

XY	Ext.	Function	Value	Percent/Setting
-	186	Fine dimmer 24	000 ⇔ 255	0–100%
71	187	X coordinate 24	000 ⇔ 255	0–100%
-	188	Fine X coordinate 24	000 ⇔ 255	0–100%
72	189	Y coordinate 24	000 ⇔ 255	0–100%
-	190	Fine Y coordinate 24	000 ⇔ 255	0–100%
-	191	Strobe 24	000 ⇔ 255	See the Strobe Chart
-	192	Virtual Color Wheel 24	000 ⇔ 255	See the Virtual Color Wheel Chart
73	193	Control	000 ⇔ 255	See the Control Chart

RGB 72ch - RGBWL Full 387ch

387: RGBWL Full 387ch, **219:** RGBWL Ext. 219ch, **195:** RGBW Ext. 195ch, **171:** RGB Ext. 171ch, **240:** RGBWL 16-bit 240ch, **120:** RGBWL 120ch, **96:** RGBW 96ch, **72:** RGB 72ch

72	96	120	240	171	195	219	387	Function	Value	Percent/Setting
-	-	-	-	1	1	1	1	Dimmer 1	000 ⇔ 255	0–100%
-	-	-	-	-	-	-	2	Fine dimmer 1	000 ⇔ 255	0–100%
1	1	1	1	2	2	2	3	Red 1	000 ⇔ 255	0–100%
-	-	-	2	-	-	-	4	Fine red 1	000 ⇔ 255	0–100%
2	2	2	3	3	3	3	5	Green 1	000 ⇔ 255	0–100%
-	-	-	4	-	-	-	6	Fine green 1	000 ⇔ 255	0–100%
3	3	3	5	4	4	4	7	Blue 1	000 ⇔ 255	0–100%
-	-	-	6	-	-	-	8	Fine blue 1	000 ⇔ 255	0–100%
-	4	4	7	-	5	5	9	White 1	000 ⇔ 255	0–100%
-	-	-	8	-	-	-	10	Fine white 1	000 ⇔ 255	0–100%
-	-	5	9	-	-	6	11	Lime 1	000 ⇔ 255	0–100%
-	-	-	10	-	-	-	12	Fine lime 1	000 ⇔ 255	0–100%
-	-	-	-	5	6	7	13	Color temperature 1	000 ⇔ 255	See the Color Temperature Chart
-	-	-	-	-	-	-	14	Fine color temp. 1	000 ⇔ 255	Fine CCT adjust
-	-	-	-	6	7	8	15	Tint 1 (default to 128)	000 ⇔ 255	-25–+25% green
-	-	-	-	7	8	9	16	Blend CCT with RGBWwL mix 1 (default to 255)	000 001 ⇔ 126 127 ⇔ 128 129 ⇔ 254 255	100% color temperature control 99–51% CCT, 1–49% RGBWwL 50% CCT, 50% RGBWwL mix 49–1% CCT, 51–99% RGBWwL 100% RGBWwL mix
-	-	-	-	8	9	10	17	Dimmer 2	000 ⇔ 255	0–100%
-	-	-	-	-	-	-	18	Fine dimmer 2	000 ⇔ 255	0–100%
4	5	6	11	9	10	11	19	Red 2	000 ⇔ 255	0–100%
-	-	-	12	-	-	-	20	Fine red 2	000 ⇔ 255	0–100%
5	6	7	13	10	11	12	21	Green 2	000 ⇔ 255	0–100%
-	-	-	14	-	-	-	22	Fine green 2	000 ⇔ 255	0–100%
6	7	8	15	11	12	13	23	Blue 2	000 ⇔ 255	0–100%
-	-	-	16	-	-	-	24	Fine blue 2	000 ⇔ 255	0–100%
-	8	9	17	-	13	14	25	White 2	000 ⇔ 255	0–100%
-	-	-	18	-	-	-	26	Fine white 2	000 ⇔ 255	0–100%
-	-	10	19	-	-	15	27	Lime 2	000 ⇔ 255	0–100%
-	-	-	20	-	-	-	28	Fine lime 2	000 ⇔ 255	0–100%
-	-	-	-	12	14	16	29	Color temperature 2	000 ⇔ 255	See the Color Temperature Chart
-	-	-	-	-	-	-	30	Fine color temp. 2	000 ⇔ 255	Fine CCT adjust
-	-	-	-	13	15	17	31	Tint 2 (default to 128)	000 ⇔ 255	-25–+25% green

72	96	120	240	171	195	219	387	Function	Value	Percent/Setting
-	-	-	-	14	16	18	32	Blend CCT with RGBWwL mix 2 (default to 255)	000 001 ⇔ 126 127 ⇔ 128 129 ⇔ 254 255	100% color temperature control 99–51% CCT, 1–49% RGBWwL 50% CCT, 50% RGBWwL mix 49–1% CCT, 51–99% RGBWwL 100% RGBWwL mix
-	-	-	-	15	17	19	33	Dimmer 3	000 ⇔ 255	0–100%
-	-	-	-	-	-	-	34	Fine dimmer 3	000 ⇔ 255	0–100%
7	9	11	21	16	18	20	35	Red 3	000 ⇔ 255	0–100%
-	-	-	22	-	-	-	36	Fine red 3	000 ⇔ 255	0–100%
8	10	12	23	17	19	21	37	Green 3	000 ⇔ 255	0–100%
-	-	-	24	-	-	-	38	Fine green 3	000 ⇔ 255	0–100%
9	11	13	25	18	20	22	39	Blue 3	000 ⇔ 255	0–100%
-	-	-	26	-	-	-	40	Fine blue 3	000 ⇔ 255	0–100%
-	12	14	27	-	21	23	41	White 3	000 ⇔ 255	0–100%
-	-	-	28	-	-	-	42	Fine white 3	000 ⇔ 255	0–100%
-	-	15	29	-	-	24	43	Lime 3	000 ⇔ 255	0–100%
-	-	-	30	-	-	-	44	Fine lime 3	000 ⇔ 255	0–100%
-	-	-	-	19	22	25	45	Color temperature 3	000 ⇔ 255	See the Color Temperature Chart
-	-	-	-	-	-	-	46	Fine color temp. 3	000 ⇔ 255	Fine CCT adjust, warm to cool
-	-	-	-	20	23	26	47	Tint 3 (default to 128)	000 ⇔ 255	-25–+25% green
-	-	-	-	21	24	27	48	Blend CCT with RGBWwL mix 3 (default to 255)	000 001 ⇔ 126 127 ⇔ 128 129 ⇔ 254 255	100% color temperature control 99–51% CCT, 1–49% RGBWwL 50% CCT, 50% RGBWwL mix 49–1% CCT, 51–99% RGBWwL 100% RGBWwL mix
-	-	-	-	22	25	28	49	Dimmer 4	000 ⇔ 255	0–100%
-	-	-	-	-	-	-	50	Fine dimmer 4	000 ⇔ 255	0–100%
10	13	16	31	23	26	29	51	Red 4	000 ⇔ 255	0–100%
-	-	-	32	-	-	-	52	Fine red 4	000 ⇔ 255	0–100%
11	14	17	33	24	27	30	53	Green 4	000 ⇔ 255	0–100%
-	-	-	34	-	-	-	54	Fine green 4	000 ⇔ 255	0–100%
12	15	18	35	25	28	31	55	Blue 4	000 ⇔ 255	0–100%
-	-	-	36	-	-	-	56	Fine blue 4	000 ⇔ 255	0–100%
-	16	19	37	-	29	32	57	White 4	000 ⇔ 255	0–100%
-	-	-	38	-	-	-	58	Fine white 4	000 ⇔ 255	0–100%
-	-	20	39	-	-	33	59	Lime 4	000 ⇔ 255	0–100%
-	-	-	40	-	-	-	60	Fine lime 4	000 ⇔ 255	0–100%
-	-	-	-	26	30	34	61	Color temperature 4	000 ⇔ 255	See the Color Temperature Chart
-	-	-	-	-	-	-	62	Fine color temp. 4	000 ⇔ 255	Fine CCT adjust
-	-	-	-	27	31	35	63	Tint 4 (default to 128)	000 ⇔ 255	-25–+25% green
-	-	-	-	28	32	36	64	Blend CCT with RGBWwL mix 4 (default to 255)	000 001 ⇔ 126 127 ⇔ 128 129 ⇔ 254 255	100% color temperature control 99–51% CCT, 1–49% RGBWwL 50% CCT, 50% RGBWwL mix 49–1% CCT, 51–99% RGBWwL 100% RGBWwL mix
-	-	-	-	29	33	37	65	Dimmer 5	000 ⇔ 255	0–100%
-	-	-	-	-	-	-	66	Fine dimmer 5	000 ⇔ 255	0–100%
13	17	21	41	30	34	38	67	Red 5	000 ⇔ 255	0–100%

72	96	120	240	171	195	219	387	Function	Value	Percent/Setting
-	-	-	42	-	-	-	68	Fine red 5	000 ⇔ 255	0–100%
14	18	22	43	31	35	39	69	Green 5	000 ⇔ 255	0–100%
-	-	-	44	-	-	-	70	Fine green 5	000 ⇔ 255	0–100%
15	19	23	45	32	36	40	71	Blue 5	000 ⇔ 255	0–100%
-	-	-	46	-	-	-	72	Fine blue 5	000 ⇔ 255	0–100%
-	20	24	47	-	37	41	73	White 5	000 ⇔ 255	0–100%
-	-	-	48	-	-	-	74	Fine white 5	000 ⇔ 255	0–100%
-	-	25	49	-	-	42	75	Lime 5	000 ⇔ 255	0–100%
-	-	-	50	-	-	-	76	Fine lime 5	000 ⇔ 255	0–100%
-	-	-	-	33	38	43	77	Color temperature 5	000 ⇔ 255	See the Color Temperature Chart
-	-	-	-	-	-	-	78	Fine color temp. 5	000 ⇔ 255	Fine CCT adjust
-	-	-	-	34	39	44	79	Tint 5 (default to 128)	000 ⇔ 255	-25–+25% green
-	-	-	-	35	40	45	80	Blend CCT with RGBWwL mix 5 (default to 255)	000 001 ⇔ 126 127 ⇔ 128 129 ⇔ 254 255	100% color temperature control 99–51% CCT, 1–49% RGBWwL 50% CCT, 50% RGBWwL mix 49–1% CCT, 51–99% RGBWwL 100% RGBWwL mix
-	-	-	-	36	41	46	81	Dimmer 6	000 ⇔ 255	0–100%
-	-	-	-	-	-	-	82	Fine dimmer 6	000 ⇔ 255	0–100%
16	21	26	51	37	42	47	83	Red 6	000 ⇔ 255	0–100%
-	-	-	52	-	-	-	84	Fine red 6	000 ⇔ 255	0–100%
17	22	27	53	38	43	48	85	Green 6	000 ⇔ 255	0–100%
-	-	-	54	-	-	-	86	Fine green 6	000 ⇔ 255	0–100%
18	23	28	55	39	44	49	87	Blue 6	000 ⇔ 255	0–100%
-	-	-	56	-	-	-	88	Fine blue 6	000 ⇔ 255	0–100%
-	24	29	57	-	45	50	89	White 6	000 ⇔ 255	0–100%
-	-	-	58	-	-	-	90	Fine white 6	000 ⇔ 255	0–100%
-	-	30	59	-	-	51	91	Lime 6	000 ⇔ 255	0–100%
-	-	-	60	-	-	-	92	Fine lime 6	000 ⇔ 255	0–100%
-	-	-	-	40	46	52	93	Color temperature 6	000 ⇔ 255	See the Color Temperature Chart
-	-	-	-	-	-	-	94	Fine color temp. 6	000 ⇔ 255	Fine CCT adjust
-	-	-	-	41	47	53	95	Tint 6 (default to 128)	000 ⇔ 255	-25–+25% green
-	-	-	-	42	48	54	96	Blend CCT with RGBWwL mix 6 (default to 255)	000 001 ⇔ 126 127 ⇔ 128 129 ⇔ 254 255	100% color temperature control 99–51% CCT, 1–49% RGBWwL 50% CCT, 50% RGBWwL mix 49–1% CCT, 51–99% RGBWwL 100% RGBWwL mix
-	-	-	-	43	49	55	97	Dimmer 7	000 ⇔ 255	0–100%
-	-	-	-	-	-	-	98	Fine dimmer 7	000 ⇔ 255	0–100%
19	25	31	61	44	50	56	99	Red 7	000 ⇔ 255	0–100%
-	-	-	62	-	-	-	100	Fine red 7	000 ⇔ 255	0–100%
20	26	32	63	45	51	57	101	Green 7	000 ⇔ 255	0–100%
-	-	-	64	-	-	-	102	Fine green 7	000 ⇔ 255	0–100%
21	27	33	65	46	52	58	103	Blue 7	000 ⇔ 255	0–100%
-	-	-	66	-	-	-	104	Fine blue 7	000 ⇔ 255	0–100%
-	28	34	67	-	53	59	105	White 7	000 ⇔ 255	0–100%
-	-	-	68	-	-	-	106	Fine white 7	000 ⇔ 255	0–100%
-	-	35	69	-	-	60	107	Lime 7	000 ⇔ 255	0–100%

Operation

72	96	120	240	171	195	219	387	Function	Value	Percent/Setting
-	-	-	70	-	-	-	108	Fine lime 7	000 ⇄ 255	0–100%
-	-	-	-	47	54	61	109	Color temperature 7	000 ⇄ 255	See the Color Temperature Chart
-	-	-	-	-	-	-	110	Fine color temp. 7	000 ⇄ 255	Fine CCT adjust
-	-	-	-	48	55	62	111	Tint 7 (default to 128)	000 ⇄ 255	-25–+25% green
-	-	-	-	49	56	63	112	Blend CCT with RGBWwL mix 7 (default to 255)	000 001 ⇄ 126 127 ⇄ 128 129 ⇄ 254 255	100% color temperature control 99–51% CCT, 1–49% RGBWwL 50% CCT, 50% RGBWwL mix 49–1% CCT, 51–99% RGBWwL 100% RGBWwL mix
-	-	-	-	50	57	64	113	Dimmer 8	000 ⇄ 255	0–100%
-	-	-	-	-	-	-	114	Fine dimmer 8	000 ⇄ 255	0–100%
22	29	36	71	51	58	65	115	Red 8	000 ⇄ 255	0–100%
-	-	-	72	-	-	-	116	Fine red 8	000 ⇄ 255	0–100%
23	30	37	73	52	59	66	117	Green 8	000 ⇄ 255	0–100%
-	-	-	74	-	-	-	118	Fine green 8	000 ⇄ 255	0–100%
24	31	38	75	53	60	67	119	Blue 8	000 ⇄ 255	0–100%
-	-	-	76	-	-	-	120	Fine blue 8	000 ⇄ 255	0–100%
-	32	39	77	-	61	68	121	White 8	000 ⇄ 255	0–100%
-	-	-	78	-	-	-	122	Fine white 8	000 ⇄ 255	0–100%
-	-	40	79	-	-	69	123	Lime 8	000 ⇄ 255	0–100%
-	-	-	80	-	-	-	124	Fine lime 8	000 ⇄ 255	0–100%
-	-	-	-	54	62	70	125	Color temperature 8	000 ⇄ 255	See the Color Temperature Chart
-	-	-	-	-	-	-	126	Fine color temp. 8	000 ⇄ 255	Fine CCT adjust
-	-	-	-	55	63	71	127	Tint 8 (default to 128)	000 ⇄ 255	-25–+25% green
-	-	-	-	56	64	72	128	Blend CCT with RGBWwL mix 8 (default to 255)	000 001 ⇄ 126 127 ⇄ 128 129 ⇄ 254 255	100% color temperature control 99–51% CCT, 1–49% RGBWwL 50% CCT, 50% RGBWwL mix 49–1% CCT, 51–99% RGBWwL 100% RGBWwL mix
-	-	-	-	57	65	73	129	Dimmer 9	000 ⇄ 255	0–100%
-	-	-	-	-	-	-	130	Fine dimmer 9	000 ⇄ 255	0–100%
25	33	41	81	58	66	74	131	Red 9	000 ⇄ 255	0–100%
-	-	-	82	-	-	-	132	Fine red 9	000 ⇄ 255	0–100%
26	34	42	83	59	67	75	133	Green 9	000 ⇄ 255	0–100%
-	-	-	84	-	-	-	134	Fine green 9	000 ⇄ 255	0–100%
27	35	43	85	60	68	76	135	Blue 9	000 ⇄ 255	0–100%
-	-	-	86	-	-	-	136	Fine blue 9	000 ⇄ 255	0–100%
-	36	44	87	-	69	77	137	White 9	000 ⇄ 255	0–100%
-	-	-	88	-	-	-	138	Fine white 9	000 ⇄ 255	0–100%
-	-	45	89	-	-	78	139	Lime 9	000 ⇄ 255	0–100%
-	-	-	90	-	-	-	140	Fine lime 9	000 ⇄ 255	0–100%
-	-	-	-	61	70	79	141	Color temperature 9	000 ⇄ 255	See the Color Temperature Chart
-	-	-	-	-	-	-	142	Fine color temp. 9	000 ⇄ 255	Fine CCT adjust
-	-	-	-	62	71	80	143	Tint 9 (default to 128)	000 ⇄ 255	-25–+25% green

72	96	120	240	171	195	219	387	Function	Value	Percent/Setting
-	-	-	-	63	72	81	144	Blend CCT with RGBWwL mix 9 (default to 255)	000 001 ⇔ 126 127 ⇔ 128 129 ⇔ 254 255	100% color temperature control 99–51% CCT, 1–49% RGBWwL 50% CCT, 50% RGBWwL mix 49–1% CCT, 51–99% RGBWwL 100% RGBWwL mix
-	-	-	-	64	73	82	145	Dimmer 10	000 ⇔ 255	0–100%
-	-	-	-	-	-	-	146	Fine dimmer 10	000 ⇔ 255	0–100%
28	37	46	91	65	74	83	147	Red 10	000 ⇔ 255	0–100%
-	-	-	92	-	-	-	148	Fine red 10	000 ⇔ 255	0–100%
29	38	47	93	66	75	84	149	Green 10	000 ⇔ 255	0–100%
-	-	-	94	-	-	-	150	Fine green 10	000 ⇔ 255	0–100%
30	39	48	95	67	76	85	151	Blue 10	000 ⇔ 255	0–100%
-	-	-	96	-	-	-	152	Fine blue 10	000 ⇔ 255	0–100%
-	40	49	97	-	77	86	153	White 10	000 ⇔ 255	0–100%
-	-	-	98	-	-	-	154	Fine white 10	000 ⇔ 255	0–100%
-	-	50	99	-	-	87	155	Lime 10	000 ⇔ 255	0–100%
-	-	-	100	-	-	-	156	Fine lime 10	000 ⇔ 255	0–100%
-	-	-	-	68	78	88	157	Color temperature 10	000 ⇔ 255	See the Color Temperature Chart
-	-	-	-	-	-	-	158	Fine color temp. 10	000 ⇔ 255	Fine CCT adjust
-	-	-	-	69	79	89	159	Tint 10 (default to 128)	000 ⇔ 255	-25–+25% green
-	-	-	-	70	80	90	160	Blend CCT with RGBWwL mix 10 (default to 255)	000 001 ⇔ 126 127 ⇔ 128 129 ⇔ 254 255	100% color temperature control 99–51% CCT, 1–49% RGBWwL 50% CCT, 50% RGBWwL mix 49–1% CCT, 51–99% RGBWwL 100% RGBWwL mix
-	-	-	-	71	81	91	161	Dimmer 11	000 ⇔ 255	0–100%
-	-	-	-	-	-	-	162	Fine dimmer 11	000 ⇔ 255	0–100%
31	41	51	101	72	82	92	163	Red 11	000 ⇔ 255	0–100%
-	-	-	102	-	-	-	164	Fine red 11	000 ⇔ 255	0–100%
32	42	52	103	73	83	93	165	Green 11	000 ⇔ 255	0–100%
-	-	-	104	-	-	-	166	Fine green 11	000 ⇔ 255	0–100%
33	43	53	105	74	84	94	167	Blue 11	000 ⇔ 255	0–100%
-	-	-	106	-	-	-	168	Fine blue 11	000 ⇔ 255	0–100%
-	44	54	107	-	85	95	169	White 11	000 ⇔ 255	0–100%
-	-	-	108	-	-	-	170	Fine white 11	000 ⇔ 255	0–100%
-	-	55	109	-	-	96	171	Lime 11	000 ⇔ 255	0–100%
-	-	-	110	-	-	-	172	Fine lime 11	000 ⇔ 255	0–100%
-	-	-	-	75	86	97	173	Color temperature 11	000 ⇔ 255	See the Color Temperature Chart
-	-	-	-	-	-	-	174	Fine color temp. 11	000 ⇔ 255	Fine CCT adjust
-	-	-	-	76	87	98	175	Tint 11 (default to 128)	000 ⇔ 255	-25–+25% green
-	-	-	-	77	88	99	176	Blend CCT with RGBWwL mix 11 (default to 255)	000 001 ⇔ 126 127 ⇔ 128 129 ⇔ 254 255	100% color temperature control 99–51% CCT, 1–49% RGBWwL 50% CCT, 50% RGBWwL mix 49–1% CCT, 51–99% RGBWwL 100% RGBWwL mix
-	-	-	-	78	89	100	177	Dimmer 12	000 ⇔ 255	0–100%
-	-	-	-	-	-	-	178	Fine dimmer 12	000 ⇔ 255	0–100%
34	45	56	111	79	90	101	179	Red 12	000 ⇔ 255	0–100%

Operation



72	96	120	240	171	195	219	387	Function	Value	Percent/Setting
-	-	-	112	-	-	-	180	Fine red 12	000 ⇔ 255	0–100%
35	46	57	113	80	91	102	181	Green 12	000 ⇔ 255	0–100%
-	-	-	114	-	-	-	182	Fine green 12	000 ⇔ 255	0–100%
36	47	58	115	81	92	103	183	Blue 12	000 ⇔ 255	0–100%
-	-	-	116	-	-	-	184	Fine blue 12	000 ⇔ 255	0–100%
-	48	59	117	-	93	104	185	White 12	000 ⇔ 255	0–100%
-	-	-	118	-	-	-	186	Fine white 12	000 ⇔ 255	0–100%
-	-	60	119	-	-	105	187	Lime 12	000 ⇔ 255	0–100%
-	-	-	120	-	-	-	188	Fine lime 12	000 ⇔ 255	0–100%
-	-	-	-	82	94	106	189	Color temperature 12	000 ⇔ 255	See the Color Temperature Chart
-	-	-	-	-	-	-	190	Fine color temp. 12	000 ⇔ 255	Fine CCT adjust
-	-	-	-	83	95	107	191	Tint 12 (default to 128)	000 ⇔ 255	-25–+25% green
-	-	-	-	84	96	108	192	Blend CCT with RGBWwL mix 12 (default to 255)	000 001 ⇔ 126 127 ⇔ 128 129 ⇔ 254 255	100% color temperature control 99–51% CCT, 1–49% RGBWwL 50% CCT, 50% RGBWwL mix 49–1% CCT, 51–99% RGBWwL 100% RGBWwL mix
-	-	-	-	85	97	109	193	Dimmer 13	000 ⇔ 255	0–100%
-	-	-	-	-	-	-	194	Fine dimmer 13	000 ⇔ 255	0–100%
37	49	61	121	86	98	110	195	Red 13	000 ⇔ 255	0–100%
-	-	-	122	-	-	-	196	Fine red 13	000 ⇔ 255	0–100%
38	50	62	123	87	99	111	197	Green 13	000 ⇔ 255	0–100%
-	-	-	124	-	-	-	198	Fine green 13	000 ⇔ 255	0–100%
39	51	63	125	88	100	112	199	Blue 13	000 ⇔ 255	0–100%
-	-	-	126	-	-	-	200	Fine blue 13	000 ⇔ 255	0–100%
-	52	64	127	-	101	113	201	White 13	000 ⇔ 255	0–100%
-	-	-	128	-	-	-	202	Fine white 13	000 ⇔ 255	0–100%
-	-	65	129	-	-	114	203	Lime 13	000 ⇔ 255	0–100%
-	-	-	130	-	-	-	204	Fine lime 13	000 ⇔ 255	0–100%
-	-	-	-	89	102	115	205	Color temperature 13	000 ⇔ 255	See the Color Temperature Chart
-	-	-	-	-	-	-	206	Fine color temp. 13	000 ⇔ 255	Fine CCT adjust
-	-	-	-	90	103	116	207	Tint 13 (default to 128)	000 ⇔ 255	-25–+25% green
-	-	-	-	91	104	117	208	Blend CCT with RGBWwL mix 13 (default to 255)	000 001 ⇔ 126 127 ⇔ 128 129 ⇔ 254 255	100% color temperature control 99–51% CCT, 1–49% RGBWwL 50% CCT, 50% RGBWwL mix 49–1% CCT, 51–99% RGBWwL 100% RGBWwL mix
-	-	-	-	92	105	118	209	Dimmer 14	000 ⇔ 255	0–100%
-	-	-	-	-	-	-	210	Fine dimmer 14	000 ⇔ 255	0–100%
40	53	66	131	93	106	119	211	Red 14	000 ⇔ 255	0–100%
-	-	-	132	-	-	-	212	Fine red 14	000 ⇔ 255	0–100%
41	54	67	133	94	107	120	213	Green 14	000 ⇔ 255	0–100%
-	-	-	134	-	-	-	214	Fine green 14	000 ⇔ 255	0–100%
42	55	68	135	95	108	121	215	Blue 14	000 ⇔ 255	0–100%
-	-	-	136	-	-	-	216	Fine blue 14	000 ⇔ 255	0–100%
-	56	69	137	-	109	122	217	White 14	000 ⇔ 255	0–100%
-	-	-	138	-	-	-	218	Fine white 14	000 ⇔ 255	0–100%
-	-	70	139	-	-	123	219	Lime 14	000 ⇔ 255	0–100%

72	96	120	240	171	195	219	387	Function	Value	Percent/Setting
-	-	-	140	-	-	-	220	Fine lime 14	000 ⇄ 255	0–100%
-	-	-	-	96	110	124	221	Color temperature 14	000 ⇄ 255	See the Color Temperature Chart
-	-	-	-	-	-	-	222	Fine color temp. 14	000 ⇄ 255	Fine CCT adjust
-	-	-	-	97	111	125	223	Tint 14 (default to 128)	000 ⇄ 255	-25–+25% green
-	-	-	-	98	112	126	224	Blend CCT with RGBWwL mix 14 (default to 255)	000 001 ⇄ 126 127 ⇄ 128 129 ⇄ 254 255	100% color temperature control 99–51% CCT, 1–49% RGBWwL 50% CCT, 50% RGBWwL mix 49–1% CCT, 51–99% RGBWwL 100% RGBWwL mix
-	-	-	-	99	113	127	225	Dimmer 15	000 ⇄ 255	0–100%
-	-	-	-	-	-	-	226	Fine dimmer 15	000 ⇄ 255	0–100%
43	57	71	141	100	114	128	227	Red 15	000 ⇄ 255	0–100%
-	-	-	142	-	-	-	228	Fine red 15	000 ⇄ 255	0–100%
44	58	72	143	101	115	129	229	Green 15	000 ⇄ 255	0–100%
-	-	-	144	-	-	-	230	Fine green 15	000 ⇄ 255	0–100%
45	59	73	145	102	116	130	231	Blue 15	000 ⇄ 255	0–100%
-	-	-	146	-	-	-	232	Fine blue 15	000 ⇄ 255	0–100%
-	60	74	147	-	117	131	233	White 15	000 ⇄ 255	0–100%
-	-	-	148	-	-	-	234	Fine white 15	000 ⇄ 255	0–100%
-	-	75	149	-	-	132	235	Lime 15	000 ⇄ 255	0–100%
-	-	-	150	-	-	-	236	Fine lime 15	000 ⇄ 255	0–100%
-	-	-	-	103	118	133	237	Color temperature 15	000 ⇄ 255	See the Color Temperature Chart
-	-	-	-	-	-	-	238	Fine color temp. 15	000 ⇄ 255	Fine CCT adjust
-	-	-	-	104	119	134	239	Tint 15 (default to 128)	000 ⇄ 255	-25–+25% green
-	-	-	-	105	120	135	240	Blend CCT with RGBWwL mix 15 (default to 255)	000 001 ⇄ 126 127 ⇄ 128 129 ⇄ 254 255	100% color temperature control 99–51% CCT, 1–49% RGBWwL 50% CCT, 50% RGBWwL mix 49–1% CCT, 51–99% RGBWwL 100% RGBWwL mix
-	-	-	-	106	121	136	241	Dimmer 16	000 ⇄ 255	0–100%
-	-	-	-	-	-	-	242	Fine dimmer 16	000 ⇄ 255	0–100%
46	61	76	151	107	122	137	243	Red 16	000 ⇄ 255	0–100%
-	-	-	152	-	-	-	244	Fine red 16	000 ⇄ 255	0–100%
47	62	77	153	108	123	138	245	Green 16	000 ⇄ 255	0–100%
-	-	-	154	-	-	-	246	Fine green 16	000 ⇄ 255	0–100%
48	63	78	155	109	124	139	247	Blue 16	000 ⇄ 255	0–100%
-	-	-	156	-	-	-	248	Fine blue 16	000 ⇄ 255	0–100%
-	64	79	157	-	125	140	249	White 16	000 ⇄ 255	0–100%
-	-	-	158	-	-	-	250	Fine white 16	000 ⇄ 255	0–100%
-	-	80	159	-	-	141	251	Lime 16	000 ⇄ 255	0–100%
-	-	-	160	-	-	-	252	Fine lime 16	000 ⇄ 255	0–100%
-	-	-	-	110	126	142	253	Color temperature 16	000 ⇄ 255	See the Color Temperature Chart
-	-	-	-	-	-	-	254	Fine color temp. 16	000 ⇄ 255	Fine CCT adjust
-	-	-	-	111	127	143	255	Tint 16 (default to 128)	000 ⇄ 255	-25–+25% green

Operation



72	96	120	240	171	195	219	387	Function	Value	Percent/Setting
-	-	-	-	112	128	144	256	Blend CCT with RGBWwL mix 16 (default to 255)	000 001 ⇔ 126 127 ⇔ 128 129 ⇔ 254 255	100% color temperature control 99–51% CCT, 1–49% RGBWwL 50% CCT, 50% RGBWwL mix 49–1% CCT, 51–99% RGBWwL 100% RGBWwL mix
-	-	-	-	113	129	145	257	Dimmer 17	000 ⇔ 255	0–100%
-	-	-	-	-	-	-	258	Fine dimmer 17	000 ⇔ 255	0–100%
49	65	81	161	114	130	146	259	Red 17	000 ⇔ 255	0–100%
-	-	-	162	-	-	-	260	Fine red 17	000 ⇔ 255	0–100%
50	66	82	163	115	131	147	261	Green 17	000 ⇔ 255	0–100%
-	-	-	164	-	-	-	262	Fine green 17	000 ⇔ 255	0–100%
51	67	83	165	116	132	148	263	Blue 17	000 ⇔ 255	0–100%
-	-	-	166	-	-	-	264	Fine blue 17	000 ⇔ 255	0–100%
-	68	84	167	-	133	149	265	White 17	000 ⇔ 255	0–100%
-	-	-	168	-	-	-	266	Fine white 17	000 ⇔ 255	0–100%
-	-	85	169	-	-	150	267	Lime 17	000 ⇔ 255	0–100%
-	-	-	170	-	-	-	268	Fine lime 17	000 ⇔ 255	0–100%
-	-	-	-	117	134	151	269	Color temperature 17	000 ⇔ 255	See the Color Temperature Chart
-	-	-	-	-	-	-	270	Fine color temp. 17	000 ⇔ 255	Fine CCT adjust
-	-	-	-	118	135	152	271	Tint 17 (default to 128)	000 ⇔ 255	-25–+25% green
-	-	-	-	119	136	153	272	Blend CCT with RGBWwL mix 17 (default to 255)	000 001 ⇔ 126 127 ⇔ 128 129 ⇔ 254 255	100% color temperature control 99–51% CCT, 1–49% RGBWwL 50% CCT, 50% RGBWwL mix 49–1% CCT, 51–99% RGBWwL 100% RGBWwL mix
-	-	-	-	120	137	154	273	Dimmer 18	000 ⇔ 255	0–100%
-	-	-	-	-	-	-	274	Fine dimmer 18	000 ⇔ 255	0–100%
52	69	86	171	121	138	155	275	Red 18	000 ⇔ 255	0–100%
-	-	-	172	-	-	-	276	Fine red 18	000 ⇔ 255	0–100%
53	70	87	173	122	139	156	277	Green 18	000 ⇔ 255	0–100%
-	-	-	174	-	-	-	278	Fine green 18	000 ⇔ 255	0–100%
54	71	88	175	123	140	157	279	Blue 18	000 ⇔ 255	0–100%
-	-	-	176	-	-	-	280	Fine blue 18	000 ⇔ 255	0–100%
-	72	89	177	-	141	158	281	White 18	000 ⇔ 255	0–100%
-	-	-	178	-	-	-	282	Fine white 18	000 ⇔ 255	0–100%
-	-	90	179	-	-	159	283	Lime 18	000 ⇔ 255	0–100%
-	-	-	180	-	-	-	284	Fine lime 18	000 ⇔ 255	0–100%
-	-	-	-	124	142	160	285	Color temperature 18	000 ⇔ 255	See the Color Temperature Chart
-	-	-	-	-	-	-	286	Fine color temp. 18	000 ⇔ 255	Fine CCT adjust
-	-	-	-	125	143	161	287	Tint 18 (default to 128)	000 ⇔ 255	-25–+25% green
-	-	-	-	126	144	162	288	Blend CCT with RGBWwL mix 18 (default to 255)	000 001 ⇔ 126 127 ⇔ 128 129 ⇔ 254 255	100% color temperature control 99–51% CCT, 1–49% RGBWwL 50% CCT, 50% RGBWwL mix 49–1% CCT, 51–99% RGBWwL 100% RGBWwL mix
-	-	-	-	127	145	163	289	Dimmer 19	000 ⇔ 255	0–100%
-	-	-	-	-	-	-	290	Fine dimmer 19	000 ⇔ 255	0–100%
55	73	91	181	128	146	164	291	Red 19	000 ⇔ 255	0–100%

72	96	120	240	171	195	219	387	Function	Value	Percent/Setting
-	-	-	182	-	-	-	292	Fine red 19	000 ⇔ 255	0–100%
56	74	92	183	129	147	165	293	Green 19	000 ⇔ 255	0–100%
-	-	-	184	-	-	-	294	Fine green 19	000 ⇔ 255	0–100%
57	75	93	185	130	148	166	295	Blue 19	000 ⇔ 255	0–100%
-	-	-	186	-	-	-	296	Fine blue 19	000 ⇔ 255	0–100%
-	76	94	187	-	149	167	297	White 19	000 ⇔ 255	0–100%
-	-	-	188	-	-	-	298	Fine white 19	000 ⇔ 255	0–100%
-	-	95	189	-	-	168	299	Lime 19	000 ⇔ 255	0–100%
-	-	-	190	-	-	-	300	Fine lime 19	000 ⇔ 255	0–100%
-	-	-	-	131	150	169	301	Color temperature 19	000 ⇔ 255	See the Color Temperature Chart
-	-	-	-	-	-	-	302	Fine color temp. 19	000 ⇔ 255	Fine CCT adjust
-	-	-	-	132	151	170	303	Tint 19 (default to 128)	000 ⇔ 255	-25–+25% green
-	-	-	-	133	152	171	304	Blend CCT with RGBWwL mix 19 (default to 255)	000 001 ⇔ 126 127 ⇔ 128 129 ⇔ 254 255	100% color temperature control 99–51% CCT, 1–49% RGBWwL 50% CCT, 50% RGBWwL mix 49–1% CCT, 51–99% RGBWwL 100% RGBWwL mix
-	-	-	-	134	153	172	305	Dimmer 20	000 ⇔ 255	0–100%
-	-	-	-	-	-	-	306	Fine dimmer 20	000 ⇔ 255	0–100%
58	77	96	191	135	154	173	307	Red 20	000 ⇔ 255	0–100%
-	-	-	192	-	-	-	308	Fine red 20	000 ⇔ 255	0–100%
59	78	97	193	136	155	174	309	Green 20	000 ⇔ 255	0–100%
-	-	-	194	-	-	-	310	Fine green 20	000 ⇔ 255	0–100%
60	79	98	195	137	156	175	311	Blue 20	000 ⇔ 255	0–100%
-	-	-	196	-	-	-	312	Fine blue 20	000 ⇔ 255	0–100%
-	80	99	197	-	157	176	313	White 20	000 ⇔ 255	0–100%
-	-	-	198	-	-	-	314	Fine white 20	000 ⇔ 255	0–100%
-	-	100	199	-	-	177	315	Lime 20	000 ⇔ 255	0–100%
-	-	-	200	-	-	-	316	Fine lime 20	000 ⇔ 255	0–100%
-	-	-	-	138	158	178	317	Color temperature 20	000 ⇔ 255	See the Color Temperature Chart
-	-	-	-	-	-	-	318	Fine color temp. 20	000 ⇔ 255	Fine CCT adjust
-	-	-	-	139	159	179	319	Tint 20 (default to 128)	000 ⇔ 255	-25–+25% green
-	-	-	-	140	160	180	320	Blend CCT with RGBWwL mix 20 (default to 255)	000 001 ⇔ 126 127 ⇔ 128 129 ⇔ 254 255	100% color temperature control 99–51% CCT, 1–49% RGBWwL 50% CCT, 50% RGBWwL mix 49–1% CCT, 51–99% RGBWwL 100% RGBWwL mix
-	-	-	-	141	161	181	321	Dimmer 21	000 ⇔ 255	0–100%
-	-	-	-	-	-	-	322	Fine dimmer 21	000 ⇔ 255	0–100%
61	81	101	201	142	162	182	323	Red 21	000 ⇔ 255	0–100%
-	-	-	202	-	-	-	324	Fine red 21	000 ⇔ 255	0–100%
62	82	102	203	143	163	183	325	Green 21	000 ⇔ 255	0–100%
-	-	-	204	-	-	-	326	Fine green 21	000 ⇔ 255	0–100%
63	83	103	205	144	164	184	327	Blue 21	000 ⇔ 255	0–100%
-	-	-	206	-	-	-	328	Fine blue 21	000 ⇔ 255	0–100%
-	84	104	207	-	165	185	329	White 21	000 ⇔ 255	0–100%
-	-	-	208	-	-	-	330	Fine white 21	000 ⇔ 255	0–100%
-	-	105	209	-	-	186	331	Lime 21	000 ⇔ 255	0–100%

Operation

72	96	120	240	171	195	219	387	Function	Value	Percent/Setting
-	-	-	210	-	-	-	332	Fine lime 21	000 ⇄ 255	0–100%
-	-	-	-	145	166	187	333	Color temperature 21	000 ⇄ 255	See the Color Temperature Chart
-	-	-	-	-	-	-	334	Fine color temp. 21	000 ⇄ 255	Fine CCT adjust
-	-	-	-	146	167	188	335	Tint 21 (default to 128)	000 ⇄ 255	-25–+25% green
-	-	-	-	147	168	189	336	Blend CCT with RGBWwL mix 21 (default to 255)	000 001 ⇄ 126 127 ⇄ 128 129 ⇄ 254 255	100% color temperature control 99–51% CCT, 1–49% RGBWwL 50% CCT, 50% RGBWwL mix 49–1% CCT, 51–99% RGBWwL 100% RGBWwL mix
-	-	-	-	148	169	190	337	Dimmer 22	000 ⇄ 255	0–100%
-	-	-	-	-	-	-	338	Fine dimmer 22	000 ⇄ 255	0–100%
64	85	106	211	149	170	191	339	Red 22	000 ⇄ 255	0–100%
-	-	-	212	-	-	-	340	Fine red 22	000 ⇄ 255	0–100%
65	86	107	213	150	171	192	341	Green 22	000 ⇄ 255	0–100%
-	-	-	214	-	-	-	342	Fine green 22	000 ⇄ 255	0–100%
66	87	108	215	151	172	193	343	Blue 22	000 ⇄ 255	0–100%
-	-	-	216	-	-	-	344	Fine blue 22	000 ⇄ 255	0–100%
-	88	109	217	-	173	194	345	White 22	000 ⇄ 255	0–100%
-	-	-	218	-	-	-	346	Fine white 22	000 ⇄ 255	0–100%
-	-	110	219	-	-	195	347	Lime 22	000 ⇄ 255	0–100%
-	-	-	220	-	-	-	348	Fine lime 22	000 ⇄ 255	0–100%
-	-	-	-	152	174	196	349	Color temperature 22	000 ⇄ 255	See the Color Temperature Chart
-	-	-	-	-	-	-	350	Fine color temp. 22	000 ⇄ 255	Fine CCT adjust
-	-	-	-	153	175	197	351	Tint 22 (default to 128)	000 ⇄ 255	-25–+25% green
-	-	-	-	154	176	198	352	Blend CCT with RGBWwL mix 22 (default to 255)	000 001 ⇄ 126 127 ⇄ 128 129 ⇄ 254 255	100% color temperature control 99–51% CCT, 1–49% RGBWwL 50% CCT, 50% RGBWwL mix 49–1% CCT, 51–99% RGBWwL 100% RGBWwL mix
-	-	-	-	155	177	199	353	Dimmer 23	000 ⇄ 255	0–100%
-	-	-	-	-	-	-	354	Fine dimmer 23	000 ⇄ 255	0–100%
67	89	111	221	156	178	200	355	Red 23	000 ⇄ 255	0–100%
-	-	-	222	-	-	-	356	Fine red 23	000 ⇄ 255	0–100%
68	90	112	223	157	179	201	357	Green 23	000 ⇄ 255	0–100%
-	-	-	224	-	-	-	358	Fine green 23	000 ⇄ 255	0–100%
69	91	113	225	158	180	202	359	Blue 23	000 ⇄ 255	0–100%
-	-	-	226	-	-	-	360	Fine blue 23	000 ⇄ 255	0–100%
-	92	114	227	-	181	203	361	White 23	000 ⇄ 255	0–100%
-	-	-	228	-	-	-	362	Fine white 23	000 ⇄ 255	0–100%
-	-	115	229	-	-	204	363	Lime 23	000 ⇄ 255	0–100%
-	-	-	230	-	-	-	364	Fine lime 23	000 ⇄ 255	0–100%
-	-	-	-	159	182	205	365	Color temperature 23	000 ⇄ 255	See the Color Temperature Chart
-	-	-	-	-	-	-	366	Fine color temp. 23	000 ⇄ 255	Fine CCT adjust
-	-	-	-	160	183	206	367	Tint 23 (default to 128)	000 ⇄ 255	-25–+25% green

72	96	120	240	171	195	219	387	Function	Value	Percent/Setting
-	-	-	-	161	184	207	368	Blend CCT with RGBWwL mix 23 (default to 255)	000 001 ⇔ 126 127 ⇔ 128 129 ⇔ 254 255	100% color temperature control 99–51% CCT, 1–49% RGBWwL 50% CCT, 50% RGBWwL mix 49–1% CCT, 51–99% RGBWwL 100% RGBWwL mix
-	-	-	-	162	185	208	369	Dimmer 24	000 ⇔ 255	0–100%
-	-	-	-	-	-	-	370	Fine dimmer 24	000 ⇔ 255	0–100%
70	93	116	231	163	186	209	371	Red 24	000 ⇔ 255	0–100%
-	-	-	232	-	-	-	372	Fine red 24	000 ⇔ 255	0–100%
71	94	117	233	164	187	210	373	Green 24	000 ⇔ 255	0–100%
-	-	-	234	-	-	-	374	Fine green 24	000 ⇔ 255	0–100%
72	95	118	235	165	188	211	375	Blue 24	000 ⇔ 255	0–100%
-	-	-	236	-	-	-	376	Fine blue 24	000 ⇔ 255	0–100%
-	96	119	237	-	189	212	377	White 24	000 ⇔ 255	0–100%
-	-	-	238	-	-	-	378	Fine white 24	000 ⇔ 255	0–100%
-	-	120	239	-	-	213	379	Lime 24	000 ⇔ 255	0–100%
-	-	-	240	-	-	-	380	Fine lime 24	000 ⇔ 255	0–100%
-	-	-	-	166	190	214	381	Color temperature 24	000 ⇔ 255	See the Color Temperature Chart
-	-	-	-	-	-	-	382	Fine color temp. 24	000 ⇔ 255	Fine CCT adjust
-	-	-	-	167	191	215	383	Tint 24 (default to 128)	000 ⇔ 255	-25–+25% green
-	-	-	-	168	192	216	384	Blend CCT with RGBWwL mix 24 (default to 255)	000 001 ⇔ 126 127 ⇔ 128 129 ⇔ 254 255	100% color temperature control 99–51% CCT, 1–49% RGBWwL 50% CCT, 50% RGBWwL mix 49–1% CCT, 51–99% RGBWwL 100% RGBWwL mix
-	-	-	-	169	193	217	385	Strobe	000 ⇔ 255	See the Strobe Chart
-	-	-	-	170	194	218	386	Virtual Color Wheel	000 ⇔ 255	See the Virtual Color Wheel Chart
-	-	-	-	171	195	219	387	Control	000 ⇔ 255	See the Control Chart

HSV 73ch

Channel	Function	Value	Percent/Setting
1	Hue 1	000 ⇔ 255	0–100%
2	Saturation 1	000 ⇔ 255	0–100%
3	Value 1	000 ⇔ 255	0–100%
4	Hue 2	000 ⇔ 255	0–100%
5	Saturation 2	000 ⇔ 255	0–100%
6	Value 2	000 ⇔ 255	0–100%
7	Hue 3	000 ⇔ 255	0–100%
8	Saturation 3	000 ⇔ 255	0–100%
9	Value 3	000 ⇔ 255	0–100%
10	Hue 4	000 ⇔ 255	0–100%
11	Saturation 4	000 ⇔ 255	0–100%
12	Value 4	000 ⇔ 255	0–100%
13	Hue 5	000 ⇔ 255	0–100%
14	Saturation 5	000 ⇔ 255	0–100%
15	Value 5	000 ⇔ 255	0–100%
16	Hue 6	000 ⇔ 255	0–100%

Operation

Channel	Function	Value	Percent/Setting
17	Saturation 6	000 ⇔ 255	0–100%
18	Value 6	000 ⇔ 255	0–100%
19	Hue 7	000 ⇔ 255	0–100%
20	Saturation 7	000 ⇔ 255	0–100%
21	Value 7	000 ⇔ 255	0–100%
22	Hue 8	000 ⇔ 255	0–100%
23	Saturation 8	000 ⇔ 255	0–100%
24	Value 8	000 ⇔ 255	0–100%
25	Hue 9	000 ⇔ 255	0–100%
26	Saturation 9	000 ⇔ 255	0–100%
27	Value 9	000 ⇔ 255	0–100%
28	Hue 10	000 ⇔ 255	0–100%
29	Saturation 10	000 ⇔ 255	0–100%
30	Value 10	000 ⇔ 255	0–100%
31	Hue 11	000 ⇔ 255	0–100%
32	Saturation 11	000 ⇔ 255	0–100%
33	Value 11	000 ⇔ 255	0–100%
34	Hue 12	000 ⇔ 255	0–100%
35	Saturation 12	000 ⇔ 255	0–100%
36	Value 12	000 ⇔ 255	0–100%
37	Hue 13	000 ⇔ 255	0–100%
38	Saturation 13	000 ⇔ 255	0–100%
39	Value 13	000 ⇔ 255	0–100%
40	Hue 14	000 ⇔ 255	0–100%
41	Saturation 14	000 ⇔ 255	0–100%
42	Value 14	000 ⇔ 255	0–100%
43	Hue 15	000 ⇔ 255	0–100%
44	Saturation 15	000 ⇔ 255	0–100%
45	Value 15	000 ⇔ 255	0–100%
46	Hue 16	000 ⇔ 255	0–100%
47	Saturation 16	000 ⇔ 255	0–100%
48	Value 16	000 ⇔ 255	0–100%
49	Hue 17	000 ⇔ 255	0–100%
50	Saturation 17	000 ⇔ 255	0–100%
51	Value 17	000 ⇔ 255	0–100%
52	Hue 18	000 ⇔ 255	0–100%
53	Saturation 18	000 ⇔ 255	0–100%
54	Value 18	000 ⇔ 255	0–100%
55	Hue 19	000 ⇔ 255	0–100%
56	Saturation 19	000 ⇔ 255	0–100%
57	Value 19	000 ⇔ 255	0–100%
58	Hue 20	000 ⇔ 255	0–100%
59	Saturation 20	000 ⇔ 255	0–100%
60	Value 20	000 ⇔ 255	0–100%
61	Hue 21	000 ⇔ 255	0–100%
62	Saturation 21	000 ⇔ 255	0–100%
63	Value 21	000 ⇔ 255	0–100%

Channel	Function	Value	Percent/Setting
64	Hue 22	000 ⇔ 255	0–100%
65	Saturation 22	000 ⇔ 255	0–100%
66	Value 22	000 ⇔ 255	0–100%
67	Hue 23	000 ⇔ 255	0–100%
68	Saturation 23	000 ⇔ 255	0–100%
69	Value 23	000 ⇔ 255	0–100%
70	Hue 24	000 ⇔ 255	0–100%
71	Saturation 24	000 ⇔ 255	0–100%
72	Value 24	000 ⇔ 255	0–100%
73	Control	000 ⇔ 255	See the Control Chart

CCT 73ch

Channel	Function	Value	Percent/Setting
1	Dimmer 1	000 ⇔ 255	0–100%
2	Color temperature 1	000 ⇔ 255	See the Color Temperature Chart
3	Tint 1 (default to 128)	000 ⇔ 255	-25–+25% green
4	Dimmer 2	000 ⇔ 255	0–100%
5	Color temperature 2	000 ⇔ 255	See the Color Temperature Chart
6	Tint 2 (default to 128)	000 ⇔ 255	-25–+25% green
7	Dimmer 3	000 ⇔ 255	0–100%
8	Color temperature 3	000 ⇔ 255	See the Color Temperature Chart
9	Tint 3 (default to 128)	000 ⇔ 255	-25–+25% green
10	Dimmer 4	000 ⇔ 255	0–100%
11	Color temperature 4	000 ⇔ 255	See the Color Temperature Chart
12	Tint 4 (default to 128)	000 ⇔ 255	-25–+25% green
13	Dimmer 5	000 ⇔ 255	0–100%
14	Color temperature 5	000 ⇔ 255	See the Color Temperature Chart
15	Tint 5 (default to 128)	000 ⇔ 255	-25–+25% green
16	Dimmer 6	000 ⇔ 255	0–100%
17	Color temperature 6	000 ⇔ 255	See the Color Temperature Chart
18	Tint 6 (default to 128)	000 ⇔ 255	-25–+25% green
19	Dimmer 7	000 ⇔ 255	0–100%
20	Color temperature 7	000 ⇔ 255	See the Color Temperature Chart
21	Tint 7 (default to 128)	000 ⇔ 255	-25–+25% green
22	Dimmer 8	000 ⇔ 255	0–100%
23	Color temperature 8	000 ⇔ 255	See the Color Temperature Chart
24	Tint 8 (default to 128)	000 ⇔ 255	-25–+25% green
25	Dimmer 9	000 ⇔ 255	0–100%
26	Color temperature 9	000 ⇔ 255	See the Color Temperature Chart
27	Tint 9 (default to 128)	000 ⇔ 255	-25–+25% green
28	Dimmer 10	000 ⇔ 255	0–100%
29	Color temperature 10	000 ⇔ 255	See the Color Temperature Chart
30	Tint 10 (default to 128)	000 ⇔ 255	-25–+25% green
31	Dimmer 11	000 ⇔ 255	0–100%
32	Color temperature 11	000 ⇔ 255	See the Color Temperature Chart
33	Tint 11 (default to 128)	000 ⇔ 255	-25–+25% green
34	Dimmer 12	000 ⇔ 255	0–100%

Operation

Channel	Function	Value	Percent/Setting
35	Color temperature 12	000 ⇔ 255	See the Color Temperature Chart
36	Tint 12 (default to 128)	000 ⇔ 255	-25–+25% green
37	Dimmer 13	000 ⇔ 255	0–100%
38	Color temperature 13	000 ⇔ 255	See the Color Temperature Chart
39	Tint 13 (default to 128)	000 ⇔ 255	-25–+25% green
40	Dimmer 14	000 ⇔ 255	0–100%
41	Color temperature 14	000 ⇔ 255	See the Color Temperature Chart
42	Tint 14 (default to 128)	000 ⇔ 255	-25–+25% green
43	Dimmer 15	000 ⇔ 255	0–100%
44	Color temperature 15	000 ⇔ 255	See the Color Temperature Chart
45	Tint 15 (default to 128)	000 ⇔ 255	-25–+25% green
46	Dimmer 16	000 ⇔ 255	0–100%
47	Color temperature 16	000 ⇔ 255	See the Color Temperature Chart
48	Tint 16 (default to 128)	000 ⇔ 255	-25–+25% green
49	Dimmer 17	000 ⇔ 255	0–100%
50	Color temperature 17	000 ⇔ 255	See the Color Temperature Chart
51	Tint 17 (default to 128)	000 ⇔ 255	-25–+25% green
52	Dimmer 18	000 ⇔ 255	0–100%
53	Color temperature 18	000 ⇔ 255	See the Color Temperature Chart
54	Tint 18 (default to 128)	000 ⇔ 255	-25–+25% green
55	Dimmer 19	000 ⇔ 255	0–100%
56	Color temperature 19	000 ⇔ 255	See the Color Temperature Chart
57	Tint 19 (default to 128)	000 ⇔ 255	-25–+25% green
58	Dimmer 20	000 ⇔ 255	0–100%
59	Color temperature 20	000 ⇔ 255	See the Color Temperature Chart
60	Tint 20 (default to 128)	000 ⇔ 255	-25–+25% green
61	Dimmer 21	000 ⇔ 255	0–100%
62	Color temperature 21	000 ⇔ 255	See the Color Temperature Chart
63	Tint 21 (default to 128)	000 ⇔ 255	-25–+25% green
64	Dimmer 22	000 ⇔ 255	0–100%
65	Color temperature 22	000 ⇔ 255	See the Color Temperature Chart
66	Tint 22 (default to 128)	000 ⇔ 255	-25–+25% green
67	Dimmer 23	000 ⇔ 255	0–100%
68	Color temperature 23	000 ⇔ 255	See the Color Temperature Chart
69	Tint 23 (default to 128)	000 ⇔ 255	-25–+25% green
70	Dimmer 24	000 ⇔ 255	0–100%
71	Color temperature 24	000 ⇔ 255	See the Color Temperature Chart
72	Tint 24 (default to 128)	000 ⇔ 255	-25–+25% green
73	Control	000 ⇔ 255	See the Control Chart

12 Cell Personalities

XY

XY	Ext.	Function	Value	Percent/Setting
1	1	Dimmer 1	000 ⇄ 255	0–100%
–	2	Fine dimmer 1	000 ⇄ 255	0–100%
2	3	X coordinate 1	000 ⇄ 255	0–100%
–	4	Fine X coordinate 1	000 ⇄ 255	0–100%
3	5	Y coordinate 1	000 ⇄ 255	0–100%
–	6	Fine Y coordinate 1	000 ⇄ 255	0–100%
–	7	Strobe 1	000 ⇄ 255	See the Strobe Chart
–	8	Virtual Color Wheel 1	000 ⇄ 255	See the Virtual Color Wheel Chart
4	9	Dimmer 2	000 ⇄ 255	0–100%
–	10	Fine dimmer 2	000 ⇄ 255	0–100%
5	11	X coordinate 2	000 ⇄ 255	0–100%
–	12	Fine X coordinate 2	000 ⇄ 255	0–100%
6	13	Y coordinate 2	000 ⇄ 255	0–100%
–	14	Fine Y coordinate 2	000 ⇄ 255	0–100%
–	15	Strobe 2	000 ⇄ 255	See the Strobe Chart
–	16	Virtual Color Wheel 2	000 ⇄ 255	See the Virtual Color Wheel Chart
7	17	Dimmer 3	000 ⇄ 255	0–100%
–	18	Fine dimmer 3	000 ⇄ 255	0–100%
8	19	X coordinate 3	000 ⇄ 255	0–100%
–	20	Fine X coordinate 3	000 ⇄ 255	0–100%
9	21	Y coordinate 3	000 ⇄ 255	0–100%
–	22	Fine Y coordinate 3	000 ⇄ 255	0–100%
–	23	Strobe 3	000 ⇄ 255	See the Strobe Chart
–	24	Virtual Color Wheel 3	000 ⇄ 255	See the Virtual Color Wheel Chart
10	25	Dimmer 4	000 ⇄ 255	0–100%
–	26	Fine dimmer 4	000 ⇄ 255	0–100%
11	27	X coordinate 4	000 ⇄ 255	0–100%
–	28	Fine X coordinate 4	000 ⇄ 255	0–100%
12	29	Y coordinate 4	000 ⇄ 255	0–100%
–	30	Fine Y coordinate 4	000 ⇄ 255	0–100%
–	31	Strobe 4	000 ⇄ 255	See the Strobe Chart
–	32	Virtual Color Wheel 4	000 ⇄ 255	See the Virtual Color Wheel Chart
13	33	Dimmer 5	000 ⇄ 255	0–100%
–	34	Fine dimmer 5	000 ⇄ 255	0–100%
14	35	X coordinate 5	000 ⇄ 255	0–100%
–	36	Fine X coordinate 5	000 ⇄ 255	0–100%
15	37	Y coordinate 5	000 ⇄ 255	0–100%
–	38	Fine Y coordinate 5	000 ⇄ 255	0–100%
–	39	Strobe 5	000 ⇄ 255	See the Strobe Chart
–	40	Virtual Color Wheel 5	000 ⇄ 255	See the Virtual Color Wheel Chart
16	41	Dimmer 6	000 ⇄ 255	0–100%
–	42	Fine dimmer 6	000 ⇄ 255	0–100%
17	43	X coordinate 6	000 ⇄ 255	0–100%
–	44	Fine X coordinate 6	000 ⇄ 255	0–100%

Operation

XY	Ext.	Function	Value	Percent/Setting
18	45	Y coordinate 6	000 ⇔ 255	0–100%
–	46	Fine Y coordinate 6	000 ⇔ 255	0–100%
–	47	Strobe 6	000 ⇔ 255	See the Strobe Chart
–	48	Virtual Color Wheel 6	000 ⇔ 255	See the Virtual Color Wheel Chart
19	49	Dimmer 7	000 ⇔ 255	0–100%
–	50	Fine dimmer 7	000 ⇔ 255	0–100%
20	51	X coordinate 7	000 ⇔ 255	0–100%
–	52	Fine X coordinate 7	000 ⇔ 255	0–100%
21	53	Y coordinate 7	000 ⇔ 255	0–100%
–	54	Fine Y coordinate 7	000 ⇔ 255	0–100%
–	55	Strobe 7	000 ⇔ 255	See the Strobe Chart
–	56	Virtual Color Wheel 7	000 ⇔ 255	See the Virtual Color Wheel Chart
22	57	Dimmer 8	000 ⇔ 255	0–100%
–	58	Fine dimmer 8	000 ⇔ 255	0–100%
23	59	X coordinate 8	000 ⇔ 255	0–100%
–	60	Fine X coordinate 8	000 ⇔ 255	0–100%
24	61	Y coordinate 8	000 ⇔ 255	0–100%
–	62	Fine Y coordinate 8	000 ⇔ 255	0–100%
–	63	Strobe 8	000 ⇔ 255	See the Strobe Chart
–	64	Virtual Color Wheel 8	000 ⇔ 255	See the Virtual Color Wheel Chart
25	65	Dimmer 9	000 ⇔ 255	0–100%
–	66	Fine dimmer 9	000 ⇔ 255	0–100%
26	67	X coordinate 9	000 ⇔ 255	0–100%
–	68	Fine X coordinate 9	000 ⇔ 255	0–100%
27	69	Y coordinate 9	000 ⇔ 255	0–100%
–	70	Fine Y coordinate 9	000 ⇔ 255	0–100%
–	71	Strobe 9	000 ⇔ 255	See the Strobe Chart
–	72	Virtual Color Wheel 9	000 ⇔ 255	See the Virtual Color Wheel Chart
28	73	Dimmer 10	000 ⇔ 255	0–100%
–	74	Fine dimmer 10	000 ⇔ 255	0–100%
29	75	X coordinate 10	000 ⇔ 255	0–100%
–	76	Fine X coordinate 10	000 ⇔ 255	0–100%
30	77	Y coordinate 10	000 ⇔ 255	0–100%
–	78	Fine Y coordinate 10	000 ⇔ 255	0–100%
–	79	Strobe 10	000 ⇔ 255	See the Strobe Chart
–	80	Virtual Color Wheel 10	000 ⇔ 255	See the Virtual Color Wheel Chart
31	81	Dimmer 11	000 ⇔ 255	0–100%
–	82	Fine dimmer 11	000 ⇔ 255	0–100%
32	83	X coordinate 11	000 ⇔ 255	0–100%
–	84	Fine X coordinate 11	000 ⇔ 255	0–100%
33	85	Y coordinate 11	000 ⇔ 255	0–100%
–	86	Fine Y coordinate 11	000 ⇔ 255	0–100%
–	87	Strobe 11	000 ⇔ 255	See the Strobe Chart
–	88	Virtual Color Wheel 11	000 ⇔ 255	See the Virtual Color Wheel Chart
34	89	Dimmer 12	000 ⇔ 255	0–100%
–	90	Fine dimmer 12	000 ⇔ 255	0–100%
35	91	X coordinate 12	000 ⇔ 255	0–100%

XY	Ext.	Function	Value	Percent/Setting
-	92	Fine X coordinate 12	000 ⇔ 255	0–100%
36	93	Y coordinate 12	000 ⇔ 255	0–100%
-	94	Fine Y coordinate 12	000 ⇔ 255	0–100%
-	95	Strobe 12	000 ⇔ 255	See the Strobe Chart
-	96	Virtual Color Wheel 12	000 ⇔ 255	See the Virtual Color Wheel Chart
37	97	Control	000 ⇔ 255	See the Control Chart

RGB 36ch - RGBWL Full 195ch

195: RGBWL Full 195ch, 111: RGBWL Ext. 111ch, 99: RGBW Ext. 99ch, 87: RGB Ext. 87ch, 120: RGBWL 16-bit 120ch, 60: RGBWL 60ch, 48: RGBW 48ch, 36: RGB 36ch

36	48	60	120	87	99	111	195	Function	Value	Percent/Setting
-	-	-	-	1	1	1	1	Dimmer 1	000 ⇔ 255	0–100%
-	-	-	-	-	-	-	2	Fine dimmer 1	000 ⇔ 255	0–100%
1	1	1	1	2	2	2	3	Red 1	000 ⇔ 255	0–100%
-	-	-	2	-	-	-	4	Fine red 1	000 ⇔ 255	0–100%
2	2	2	3	3	3	3	5	Green 1	000 ⇔ 255	0–100%
-	-	-	4	-	-	-	6	Fine green 1	000 ⇔ 255	0–100%
3	3	3	5	4	4	4	7	Blue 1	000 ⇔ 255	0–100%
-	-	-	6	-	-	-	8	Fine blue 1	000 ⇔ 255	0–100%
-	4	4	7	-	5	5	9	White 1	000 ⇔ 255	0–100%
-	-	-	8	-	-	-	10	Fine white 1	000 ⇔ 255	0–100%
-	-	5	9	-	-	6	11	Lime 1	000 ⇔ 255	0–100%
-	-	-	10	-	-	-	12	Fine lime 1	000 ⇔ 255	0–100%
-	-	-	-	5	6	7	13	Color temperature 1	000 ⇔ 255	See the Color Temperature Chart
-	-	-	-	-	-	-	14	Fine color temp. 1	000 ⇔ 255	Fine CCT adjust
-	-	-	-	6	7	8	15	Tint 1 (default to 128)	000 ⇔ 255	-25–+25% green
-	-	-	-	7	8	9	16	Blend CCT with RGBWwL mix 1 (default to 255)	000 001 ⇔ 126 127 ⇔ 128 129 ⇔ 254 255	100% color temperature control 99–51% CCT, 1–49% RGBWwL 50% CCT, 50% RGBWwL mix 49–1% CCT, 51–99% RGBWwL 100% RGBWwL mix
-	-	-	-	8	9	10	17	Dimmer 2	000 ⇔ 255	0–100%
-	-	-	-	-	-	-	18	Fine dimmer 2	000 ⇔ 255	0–100%
4	5	6	11	9	10	11	19	Red 2	000 ⇔ 255	0–100%
-	-	-	12	-	-	-	20	Fine red 2	000 ⇔ 255	0–100%
5	6	7	13	10	11	12	21	Green 2	000 ⇔ 255	0–100%
-	-	-	14	-	-	-	22	Fine green 2	000 ⇔ 255	0–100%
6	7	8	15	11	12	13	23	Blue 2	000 ⇔ 255	0–100%
-	-	-	16	-	-	-	24	Fine blue 2	000 ⇔ 255	0–100%
-	8	9	17	-	13	14	25	White 2	000 ⇔ 255	0–100%
-	-	-	18	-	-	-	26	Fine white 2	000 ⇔ 255	0–100%
-	-	10	19	-	-	15	27	Lime 2	000 ⇔ 255	0–100%
-	-	-	20	-	-	-	28	Fine lime 2	000 ⇔ 255	0–100%
-	-	-	-	12	14	16	29	Color temperature 2	000 ⇔ 255	See the Color Temperature Chart
-	-	-	-	-	-	-	30	Fine color temp. 2	000 ⇔ 255	Fine CCT adjust
-	-	-	-	13	15	17	31	Tint 2 (default to 128)	000 ⇔ 255	-25–+25% green

Operation

36	48	60	120	87	99	111	195	Function	Value	Percent/Setting
-	-	-	-	14	16	18	32	Blend CCT with RGBWwL mix 2 (default to 255)	000 001 ⇔ 126 127 ⇔ 128 129 ⇔ 254 255	100% color temperature control 99–51% CCT, 1–49% RGBWwL 50% CCT, 50% RGBWwL mix 49–1% CCT, 51–99% RGBWwL 100% RGBWwL mix
-	-	-	-	15	17	19	33	Dimmer 3	000 ⇔ 255	0–100%
-	-	-	-	-	-	-	34	Fine dimmer 3	000 ⇔ 255	0–100%
7	9	11	21	16	18	20	35	Red 3	000 ⇔ 255	0–100%
-	-	-	22	-	-	-	36	Fine red 3	000 ⇔ 255	0–100%
8	10	12	23	17	19	21	37	Green 3	000 ⇔ 255	0–100%
-	-	-	24	-	-	-	38	Fine green 3	000 ⇔ 255	0–100%
9	11	13	25	18	20	22	39	Blue 3	000 ⇔ 255	0–100%
-	-	-	26	-	-	-	40	Fine blue 3	000 ⇔ 255	0–100%
-	12	14	27	-	21	23	41	White 3	000 ⇔ 255	0–100%
-	-	-	28	-	-	-	42	Fine white 3	000 ⇔ 255	0–100%
-	-	15	29	-	-	24	43	Lime 3	000 ⇔ 255	0–100%
-	-	-	30	-	-	-	44	Fine lime 3	000 ⇔ 255	0–100%
-	-	-	-	19	22	25	45	Color temperature 3	000 ⇔ 255	See the Color Temperature Chart
-	-	-	-	-	-	-	46	Fine color temp. 3	000 ⇔ 255	Fine CCT adjust, warm to cool
-	-	-	-	20	23	26	47	Tint 3 (default to 128)	000 ⇔ 255	-25–+25% green
-	-	-	-	21	24	27	48	Blend CCT with RGBWwL mix 3 (default to 255)	000 001 ⇔ 126 127 ⇔ 128 129 ⇔ 254 255	100% color temperature control 99–51% CCT, 1–49% RGBWwL 50% CCT, 50% RGBWwL mix 49–1% CCT, 51–99% RGBWwL 100% RGBWwL mix
-	-	-	-	22	25	28	49	Dimmer 4	000 ⇔ 255	0–100%
-	-	-	-	-	-	-	50	Fine dimmer 4	000 ⇔ 255	0–100%
10	13	16	31	23	26	29	51	Red 4	000 ⇔ 255	0–100%
-	-	-	32	-	-	-	52	Fine red 4	000 ⇔ 255	0–100%
11	14	17	33	24	27	30	53	Green 4	000 ⇔ 255	0–100%
-	-	-	34	-	-	-	54	Fine green 4	000 ⇔ 255	0–100%
12	15	18	35	25	28	31	55	Blue 4	000 ⇔ 255	0–100%
-	-	-	36	-	-	-	56	Fine blue 4	000 ⇔ 255	0–100%
-	16	19	37	-	29	32	57	White 4	000 ⇔ 255	0–100%
-	-	-	38	-	-	-	58	Fine white 4	000 ⇔ 255	0–100%
-	-	20	39	-	-	33	59	Lime 4	000 ⇔ 255	0–100%
-	-	-	40	-	-	-	60	Fine lime 4	000 ⇔ 255	0–100%
-	-	-	-	26	30	34	61	Color temperature 4	000 ⇔ 255	See the Color Temperature Chart
-	-	-	-	-	-	-	62	Fine color temp. 4	000 ⇔ 255	Fine CCT adjust
-	-	-	-	27	31	35	63	Tint 4 (default to 128)	000 ⇔ 255	-25–+25% green
-	-	-	-	28	32	36	64	Blend CCT with RGBWwL mix 4 (default to 255)	000 001 ⇔ 126 127 ⇔ 128 129 ⇔ 254 255	100% color temperature control 99–51% CCT, 1–49% RGBWwL 50% CCT, 50% RGBWwL mix 49–1% CCT, 51–99% RGBWwL 100% RGBWwL mix
-	-	-	-	29	33	37	65	Dimmer 5	000 ⇔ 255	0–100%
-	-	-	-	-	-	-	66	Fine dimmer 5	000 ⇔ 255	0–100%
13	17	21	41	30	34	38	67	Red 5	000 ⇔ 255	0–100%

36	48	60	120	87	99	111	195	Function	Value	Percent/Setting
-	-	-	42	-	-	-	68	Fine red 5	000 ⇔ 255	0–100%
14	18	22	43	31	35	39	69	Green 5	000 ⇔ 255	0–100%
-	-	-	44	-	-	-	70	Fine green 5	000 ⇔ 255	0–100%
15	19	23	45	32	36	40	71	Blue 5	000 ⇔ 255	0–100%
-	-	-	46	-	-	-	72	Fine blue 5	000 ⇔ 255	0–100%
-	20	24	47	-	37	41	73	White 5	000 ⇔ 255	0–100%
-	-	-	48	-	-	-	74	Fine white 5	000 ⇔ 255	0–100%
-	-	25	49	-	-	42	75	Lime 5	000 ⇔ 255	0–100%
-	-	-	50	-	-	-	76	Fine lime 5	000 ⇔ 255	0–100%
-	-	-	-	33	38	43	77	Color temperature 5	000 ⇔ 255	See the Color Temperature Chart
-	-	-	-	-	-	-	78	Fine color temp. 5	000 ⇔ 255	Fine CCT adjust
-	-	-	-	34	39	44	79	Tint 5 (default to 128)	000 ⇔ 255	-25–+25% green
-	-	-	-	35	40	45	80	Blend CCT with RGBWwL mix 5 (default to 255)	000 001 ⇔ 126 127 ⇔ 128 129 ⇔ 254 255	100% color temperature control 99–51% CCT, 1–49% RGBWwL 50% CCT, 50% RGBWwL mix 49–1% CCT, 51–99% RGBWwL 100% RGBWwL mix
-	-	-	-	36	41	46	81	Dimmer 6	000 ⇔ 255	0–100%
-	-	-	-	-	-	-	82	Fine dimmer 6	000 ⇔ 255	0–100%
16	21	26	51	37	42	47	83	Red 6	000 ⇔ 255	0–100%
-	-	-	52	-	-	-	84	Fine red 6	000 ⇔ 255	0–100%
17	22	27	53	38	43	48	85	Green 6	000 ⇔ 255	0–100%
-	-	-	54	-	-	-	86	Fine green 6	000 ⇔ 255	0–100%
18	23	28	55	39	44	49	87	Blue 6	000 ⇔ 255	0–100%
-	-	-	56	-	-	-	88	Fine blue 6	000 ⇔ 255	0–100%
-	24	29	57	-	45	50	89	White 6	000 ⇔ 255	0–100%
-	-	-	58	-	-	-	90	Fine white 6	000 ⇔ 255	0–100%
-	-	30	59	-	-	51	91	Lime 6	000 ⇔ 255	0–100%
-	-	-	60	-	-	-	92	Fine lime 6	000 ⇔ 255	0–100%
-	-	-	-	40	46	52	93	Color temperature 6	000 ⇔ 255	See the Color Temperature Chart
-	-	-	-	-	-	-	94	Fine color temp. 6	000 ⇔ 255	Fine CCT adjust
-	-	-	-	41	47	53	95	Tint 6 (default to 128)	000 ⇔ 255	-25–+25% green
-	-	-	-	42	48	54	96	Blend CCT with RGBWwL mix 6 (default to 255)	000 001 ⇔ 126 127 ⇔ 128 129 ⇔ 254 255	100% color temperature control 99–51% CCT, 1–49% RGBWwL 50% CCT, 50% RGBWwL mix 49–1% CCT, 51–99% RGBWwL 100% RGBWwL mix
-	-	-	-	43	49	55	97	Dimmer 7	000 ⇔ 255	0–100%
-	-	-	-	-	-	-	98	Fine dimmer 7	000 ⇔ 255	0–100%
19	25	31	61	44	50	56	99	Red 7	000 ⇔ 255	0–100%
-	-	-	62	-	-	-	100	Fine red 7	000 ⇔ 255	0–100%
20	26	32	63	45	51	57	101	Green 7	000 ⇔ 255	0–100%
-	-	-	64	-	-	-	102	Fine green 7	000 ⇔ 255	0–100%
21	27	33	65	46	52	58	103	Blue 7	000 ⇔ 255	0–100%
-	-	-	66	-	-	-	104	Fine blue 7	000 ⇔ 255	0–100%
-	28	34	67	-	53	59	105	White 7	000 ⇔ 255	0–100%
-	-	-	68	-	-	-	106	Fine white 7	000 ⇔ 255	0–100%
-	-	35	69	-	-	60	107	Lime 7	000 ⇔ 255	0–100%

Operation

36	48	60	120	87	99	111	195	Function	Value	Percent/Setting
-	-	-	70	-	-	-	108	Fine lime 7	000 ⇔ 255	0–100%
-	-	-	-	47	54	61	109	Color temperature 7	000 ⇔ 255	See the Color Temperature Chart
-	-	-	-	-	-	-	110	Fine color temp. 7	000 ⇔ 255	Fine CCT adjust
-	-	-	-	48	55	62	111	Tint 7 (default to 128)	000 ⇔ 255	-25–+25% green
-	-	-	-	49	56	63	112	Blend CCT with RGBWwL mix 7 (default to 255)	000 001 ⇔ 126 127 ⇔ 128 129 ⇔ 254 255	100% color temperature control 99–51% CCT, 1–49% RGBWwL 50% CCT, 50% RGBWwL mix 49–1% CCT, 51–99% RGBWwL 100% RGBWwL mix
-	-	-	-	50	57	64	113	Dimmer 8	000 ⇔ 255	0–100%
-	-	-	-	-	-	-	114	Fine dimmer 8	000 ⇔ 255	0–100%
22	29	36	71	51	58	65	115	Red 8	000 ⇔ 255	0–100%
-	-	-	72	-	-	-	116	Fine red 8	000 ⇔ 255	0–100%
23	30	37	73	52	59	66	117	Green 8	000 ⇔ 255	0–100%
-	-	-	74	-	-	-	118	Fine green 8	000 ⇔ 255	0–100%
24	31	38	75	53	60	67	119	Blue 8	000 ⇔ 255	0–100%
-	-	-	76	-	-	-	120	Fine blue 8	000 ⇔ 255	0–100%
-	32	39	77	-	61	68	121	White 8	000 ⇔ 255	0–100%
-	-	-	78	-	-	-	122	Fine white 8	000 ⇔ 255	0–100%
-	-	40	79	-	-	69	123	Lime 8	000 ⇔ 255	0–100%
-	-	-	80	-	-	-	124	Fine lime 8	000 ⇔ 255	0–100%
-	-	-	-	54	62	70	125	Color temperature 8	000 ⇔ 255	See the Color Temperature Chart
-	-	-	-	-	-	-	126	Fine color temp. 8	000 ⇔ 255	Fine CCT adjust
-	-	-	-	55	63	71	127	Tint 8 (default to 128)	000 ⇔ 255	-25–+25% green
-	-	-	-	56	64	72	128	Blend CCT with RGBWwL mix 8 (default to 255)	000 001 ⇔ 126 127 ⇔ 128 129 ⇔ 254 255	100% color temperature control 99–51% CCT, 1–49% RGBWwL 50% CCT, 50% RGBWwL mix 49–1% CCT, 51–99% RGBWwL 100% RGBWwL mix
-	-	-	-	57	65	73	129	Dimmer 9	000 ⇔ 255	0–100%
-	-	-	-	-	-	-	130	Fine dimmer 9	000 ⇔ 255	0–100%
25	33	41	81	58	66	74	131	Red 9	000 ⇔ 255	0–100%
-	-	-	82	-	-	-	132	Fine red 9	000 ⇔ 255	0–100%
26	34	42	83	59	67	75	133	Green 9	000 ⇔ 255	0–100%
-	-	-	84	-	-	-	134	Fine green 9	000 ⇔ 255	0–100%
27	35	43	85	60	68	76	135	Blue 9	000 ⇔ 255	0–100%
-	-	-	86	-	-	-	136	Fine blue 9	000 ⇔ 255	0–100%
-	36	44	87	-	69	77	137	White 9	000 ⇔ 255	0–100%
-	-	-	88	-	-	-	138	Fine white 9	000 ⇔ 255	0–100%
-	-	45	89	-	-	78	139	Lime 9	000 ⇔ 255	0–100%
-	-	-	90	-	-	-	140	Fine lime 9	000 ⇔ 255	0–100%
-	-	-	-	61	70	79	141	Color temperature 9	000 ⇔ 255	See the Color Temperature Chart
-	-	-	-	-	-	-	142	Fine color temp. 9	000 ⇔ 255	Fine CCT adjust
-	-	-	-	62	71	80	143	Tint 9 (default to 128)	000 ⇔ 255	-25–+25% green

36	48	60	120	87	99	111	195	Function	Value	Percent/Setting
-	-	-	-	63	72	81	144	Blend CCT with RGBWwL mix 9 (default to 255)	000 001 ⇔ 126 127 ⇔ 128 129 ⇔ 254 255	100% color temperature control 99–51% CCT, 1–49% RGBWwL 50% CCT, 50% RGBWwL mix 49–1% CCT, 51–99% RGBWwL 100% RGBWwL mix
-	-	-	-	64	73	82	145	Dimmer 10	000 ⇔ 255	0–100%
-	-	-	-	-	-	-	146	Fine dimmer 10	000 ⇔ 255	0–100%
28	37	46	91	65	74	83	147	Red 10	000 ⇔ 255	0–100%
-	-	-	92	-	-	-	148	Fine red 10	000 ⇔ 255	0–100%
29	38	47	93	66	75	84	149	Green 10	000 ⇔ 255	0–100%
-	-	-	94	-	-	-	150	Fine green 10	000 ⇔ 255	0–100%
30	39	48	95	67	76	85	151	Blue 10	000 ⇔ 255	0–100%
-	-	-	96	-	-	-	152	Fine blue 10	000 ⇔ 255	0–100%
-	40	49	97	-	77	86	153	White 10	000 ⇔ 255	0–100%
-	-	-	98	-	-	-	154	Fine white 10	000 ⇔ 255	0–100%
-	-	50	99	-	-	87	155	Lime 10	000 ⇔ 255	0–100%
-	-	-	100	-	-	-	156	Fine lime 10	000 ⇔ 255	0–100%
-	-	-	-	68	78	88	157	Color temperature 10	000 ⇔ 255	See the Color Temperature Chart
-	-	-	-	-	-	-	158	Fine color temp. 10	000 ⇔ 255	Fine CCT adjust
-	-	-	-	69	79	89	159	Tint 10 (default to 128)	000 ⇔ 255	-25–+25% green
-	-	-	-	70	80	90	160	Blend CCT with RGBWwL mix 10 (default to 255)	000 001 ⇔ 126 127 ⇔ 128 129 ⇔ 254 255	100% color temperature control 99–51% CCT, 1–49% RGBWwL 50% CCT, 50% RGBWwL mix 49–1% CCT, 51–99% RGBWwL 100% RGBWwL mix
-	-	-	-	71	81	91	161	Dimmer 11	000 ⇔ 255	0–100%
-	-	-	-	-	-	-	162	Fine dimmer 11	000 ⇔ 255	0–100%
31	41	51	101	72	82	92	163	Red 11	000 ⇔ 255	0–100%
-	-	-	102	-	-	-	164	Fine red 11	000 ⇔ 255	0–100%
32	42	52	103	73	83	93	165	Green 11	000 ⇔ 255	0–100%
-	-	-	104	-	-	-	166	Fine green 11	000 ⇔ 255	0–100%
33	43	53	105	74	84	94	167	Blue 11	000 ⇔ 255	0–100%
-	-	-	106	-	-	-	168	Fine blue 11	000 ⇔ 255	0–100%
-	44	54	107	-	85	95	169	White 11	000 ⇔ 255	0–100%
-	-	-	108	-	-	-	170	Fine white 11	000 ⇔ 255	0–100%
-	-	55	109	-	-	96	171	Lime 11	000 ⇔ 255	0–100%
-	-	-	110	-	-	-	172	Fine lime 11	000 ⇔ 255	0–100%
-	-	-	-	75	86	97	173	Color temperature 11	000 ⇔ 255	See the Color Temperature Chart
-	-	-	-	-	-	-	174	Fine color temp. 11	000 ⇔ 255	Fine CCT adjust
-	-	-	-	76	87	98	175	Tint 11 (default to 128)	000 ⇔ 255	-25–+25% green
-	-	-	-	77	88	99	176	Blend CCT with RGBWwL mix 11 (default to 255)	000 001 ⇔ 126 127 ⇔ 128 129 ⇔ 254 255	100% color temperature control 99–51% CCT, 1–49% RGBWwL 50% CCT, 50% RGBWwL mix 49–1% CCT, 51–99% RGBWwL 100% RGBWwL mix
-	-	-	-	78	89	100	177	Dimmer 12	000 ⇔ 255	0–100%
-	-	-	-	-	-	-	178	Fine dimmer 12	000 ⇔ 255	0–100%
34	45	56	111	79	90	101	179	Red 12	000 ⇔ 255	0–100%

Operation

36	48	60	120	87	99	111	195	Function	Value	Percent/Setting
-	-	-	112	-	-	-	180	Fine red 12	000 ⇔ 255	0–100%
35	46	57	113	80	91	102	181	Green 12	000 ⇔ 255	0–100%
-	-	-	114	-	-	-	182	Fine green 12	000 ⇔ 255	0–100%
36	47	58	115	81	92	103	183	Blue 12	000 ⇔ 255	0–100%
-	-	-	116	-	-	-	184	Fine blue 12	000 ⇔ 255	0–100%
-	48	59	117	-	93	104	185	White 12	000 ⇔ 255	0–100%
-	-	-	118	-	-	-	186	Fine white 12	000 ⇔ 255	0–100%
-	-	60	119	-	-	105	187	Lime 12	000 ⇔ 255	0–100%
-	-	-	120	-	-	-	188	Fine lime 12	000 ⇔ 255	0–100%
-	-	-	-	82	94	106	189	Color temperature 12	000 ⇔ 255	See the Color Temperature Chart
-	-	-	-	-	-	-	190	Fine color temp. 12	000 ⇔ 255	Fine CCT adjust
-	-	-	-	83	95	107	191	Tint 12 (default to 128)	000 ⇔ 255	-25–+25% green
-	-	-	-	84	96	108	192	Blend CCT with RGBWwL mix 12 (default to 255)	000 001 ⇔ 126 127 ⇔ 128 129 ⇔ 254 255	100% color temperature control 99–51% CCT, 1–49% RGBWwL 50% CCT, 50% RGBWwL mix 49–1% CCT, 51–99% RGBWwL 100% RGBWwL mix
-	-	-	-	85	97	109	193	Strobe	000 ⇔ 255	See the Strobe Chart
-	-	-	-	86	98	110	194	Virtual Color Wheel	000 ⇔ 255	See the Virtual Color Wheel Chart
-	-	-	-	87	99	111	195	Control	000 ⇔ 255	See the Control Chart

HSV 37ch

Channel	Function	Value	Percent/Setting
1	Hue 1	000 ⇔ 255	0–100%
2	Saturation 1	000 ⇔ 255	0–100%
3	Value 1	000 ⇔ 255	0–100%
4	Hue 2	000 ⇔ 255	0–100%
5	Saturation 2	000 ⇔ 255	0–100%
6	Value 2	000 ⇔ 255	0–100%
7	Hue 3	000 ⇔ 255	0–100%
8	Saturation 3	000 ⇔ 255	0–100%
9	Value 3	000 ⇔ 255	0–100%
10	Hue 4	000 ⇔ 255	0–100%
11	Saturation 4	000 ⇔ 255	0–100%
12	Value 4	000 ⇔ 255	0–100%
13	Hue 5	000 ⇔ 255	0–100%
14	Saturation 5	000 ⇔ 255	0–100%
15	Value 5	000 ⇔ 255	0–100%
16	Hue 6	000 ⇔ 255	0–100%
17	Saturation 6	000 ⇔ 255	0–100%
18	Value 6	000 ⇔ 255	0–100%
19	Hue 7	000 ⇔ 255	0–100%
20	Saturation 7	000 ⇔ 255	0–100%
21	Value 7	000 ⇔ 255	0–100%
22	Hue 8	000 ⇔ 255	0–100%
23	Saturation 8	000 ⇔ 255	0–100%
24	Value 8	000 ⇔ 255	0–100%

Channel	Function	Value	Percent/Setting
25	Hue 9	000 ⇔ 255	0–100%
26	Saturation 9	000 ⇔ 255	0–100%
27	Value 9	000 ⇔ 255	0–100%
28	Hue 10	000 ⇔ 255	0–100%
29	Saturation 10	000 ⇔ 255	0–100%
30	Value 10	000 ⇔ 255	0–100%
31	Hue 11	000 ⇔ 255	0–100%
32	Saturation 11	000 ⇔ 255	0–100%
33	Value 11	000 ⇔ 255	0–100%
34	Hue 12	000 ⇔ 255	0–100%
35	Saturation 12	000 ⇔ 255	0–100%
36	Value 12	000 ⇔ 255	0–100%
37	Control	000 ⇔ 255	See the Control Chart

CCT 37ch

Channel	Function	Value	Percent/Setting
1	Dimmer 1	000 ⇔ 255	0–100%
2	Color temperature 1	000 ⇔ 255	See the Color Temperature Chart
3	Tint 1 (default to 128)	000 ⇔ 255	-25–+25% green
4	Dimmer 2	000 ⇔ 255	0–100%
5	Color temperature 2	000 ⇔ 255	See the Color Temperature Chart
6	Tint 2 (default to 128)	000 ⇔ 255	-25–+25% green
7	Dimmer 3	000 ⇔ 255	0–100%
8	Color temperature 3	000 ⇔ 255	See the Color Temperature Chart
9	Tint 3 (default to 128)	000 ⇔ 255	-25–+25% green
10	Dimmer 4	000 ⇔ 255	0–100%
11	Color temperature 4	000 ⇔ 255	See the Color Temperature Chart
12	Tint 4 (default to 128)	000 ⇔ 255	-25–+25% green
13	Dimmer 5	000 ⇔ 255	0–100%
14	Color temperature 5	000 ⇔ 255	See the Color Temperature Chart
15	Tint 5 (default to 128)	000 ⇔ 255	-25–+25% green
16	Dimmer 6	000 ⇔ 255	0–100%
17	Color temperature 6	000 ⇔ 255	See the Color Temperature Chart
18	Tint 6 (default to 128)	000 ⇔ 255	-25–+25% green
19	Dimmer 7	000 ⇔ 255	0–100%
20	Color temperature 7	000 ⇔ 255	See the Color Temperature Chart
21	Tint 7 (default to 128)	000 ⇔ 255	-25–+25% green
22	Dimmer 8	000 ⇔ 255	0–100%
23	Color temperature 8	000 ⇔ 255	See the Color Temperature Chart
24	Tint 8 (default to 128)	000 ⇔ 255	-25–+25% green
25	Dimmer 9	000 ⇔ 255	0–100%
26	Color temperature 9	000 ⇔ 255	See the Color Temperature Chart
27	Tint 9 (default to 128)	000 ⇔ 255	-25–+25% green
28	Dimmer 10	000 ⇔ 255	0–100%
29	Color temperature 10	000 ⇔ 255	See the Color Temperature Chart
30	Tint 10 (default to 128)	000 ⇔ 255	-25–+25% green
31	Dimmer 11	000 ⇔ 255	0–100%

Operation

Channel	Function	Value	Percent/Setting
32	Color temperature 11	000 ⇔ 255	See the Color Temperature Chart
33	Tint 11 (default to 128)	000 ⇔ 255	-25→+25% green
34	Dimmer 12	000 ⇔ 255	0–100%
35	Color temperature 12	000 ⇔ 255	See the Color Temperature Chart
36	Tint 12 (default to 128)	000 ⇔ 255	-25→+25% green
37	Control	000 ⇔ 255	See the Control Chart

8 Cell Personalities

XY

XY	Ext.	Function	Value	Percent/Setting
1	1	Dimmer 1	000 ⇔ 255	0–100%
–	2	Fine dimmer 1	000 ⇔ 255	0–100%
2	3	X coordinate 1	000 ⇔ 255	0–100%
–	4	Fine X coordinate 1	000 ⇔ 255	0–100%
3	5	Y coordinate 1	000 ⇔ 255	0–100%
–	6	Fine Y coordinate 1	000 ⇔ 255	0–100%
–	7	Strobe 1	000 ⇔ 255	See the Strobe Chart
–	8	Virtual Color Wheel 1	000 ⇔ 255	See the Virtual Color Wheel Chart
4	9	Dimmer 2	000 ⇔ 255	0–100%
–	10	Fine dimmer 2	000 ⇔ 255	0–100%
5	11	X coordinate 2	000 ⇔ 255	0–100%
–	12	Fine X coordinate 2	000 ⇔ 255	0–100%
6	13	Y coordinate 2	000 ⇔ 255	0–100%
–	14	Fine Y coordinate 2	000 ⇔ 255	0–100%
–	15	Strobe 2	000 ⇔ 255	See the Strobe Chart
–	16	Virtual Color Wheel 2	000 ⇔ 255	See the Virtual Color Wheel Chart
7	17	Dimmer 3	000 ⇔ 255	0–100%
–	18	Fine dimmer 3	000 ⇔ 255	0–100%
8	19	X coordinate 3	000 ⇔ 255	0–100%
–	20	Fine X coordinate 3	000 ⇔ 255	0–100%
9	21	Y coordinate 3	000 ⇔ 255	0–100%
–	22	Fine Y coordinate 3	000 ⇔ 255	0–100%
–	23	Strobe 3	000 ⇔ 255	See the Strobe Chart
–	24	Virtual Color Wheel 3	000 ⇔ 255	See the Virtual Color Wheel Chart
10	25	Dimmer 4	000 ⇔ 255	0–100%
–	26	Fine dimmer 4	000 ⇔ 255	0–100%
11	27	X coordinate 4	000 ⇔ 255	0–100%
–	28	Fine X coordinate 4	000 ⇔ 255	0–100%
12	29	Y coordinate 4	000 ⇔ 255	0–100%
–	30	Fine Y coordinate 4	000 ⇔ 255	0–100%
–	31	Strobe 4	000 ⇔ 255	See the Strobe Chart
–	32	Virtual Color Wheel 4	000 ⇔ 255	See the Virtual Color Wheel Chart
13	33	Dimmer 5	000 ⇔ 255	0–100%
–	34	Fine dimmer 5	000 ⇔ 255	0–100%
14	35	X coordinate 5	000 ⇔ 255	0–100%
–	36	Fine X coordinate 5	000 ⇔ 255	0–100%

XY	Ext.	Function	Value	Percent/Setting
15	37	Y coordinate 5	000 ⇔ 255	0–100%
–	38	Fine Y coordinate 5	000 ⇔ 255	0–100%
–	39	Strobe 5	000 ⇔ 255	See the Strobe Chart
–	40	Virtual Color Wheel 5	000 ⇔ 255	See the Virtual Color Wheel Chart
16	41	Dimmer 6	000 ⇔ 255	0–100%
–	42	Fine dimmer 6	000 ⇔ 255	0–100%
17	43	X coordinate 6	000 ⇔ 255	0–100%
–	44	Fine X coordinate 6	000 ⇔ 255	0–100%
18	45	Y coordinate 6	000 ⇔ 255	0–100%
–	46	Fine Y coordinate 6	000 ⇔ 255	0–100%
–	47	Strobe 6	000 ⇔ 255	See the Strobe Chart
–	48	Virtual Color Wheel 6	000 ⇔ 255	See the Virtual Color Wheel Chart
19	49	Dimmer 7	000 ⇔ 255	0–100%
–	50	Fine dimmer 7	000 ⇔ 255	0–100%
20	51	X coordinate 7	000 ⇔ 255	0–100%
–	52	Fine X coordinate 7	000 ⇔ 255	0–100%
21	53	Y coordinate 7	000 ⇔ 255	0–100%
–	54	Fine Y coordinate 7	000 ⇔ 255	0–100%
–	55	Strobe 7	000 ⇔ 255	See the Strobe Chart
–	56	Virtual Color Wheel 7	000 ⇔ 255	See the Virtual Color Wheel Chart
22	57	Dimmer 8	000 ⇔ 255	0–100%
–	58	Fine dimmer 8	000 ⇔ 255	0–100%
23	59	X coordinate 8	000 ⇔ 255	0–100%
–	60	Fine X coordinate 8	000 ⇔ 255	0–100%
24	61	Y coordinate 8	000 ⇔ 255	0–100%
–	62	Fine Y coordinate 8	000 ⇔ 255	0–100%
–	63	Strobe 8	000 ⇔ 255	See the Strobe Chart
–	64	Virtual Color Wheel 8	000 ⇔ 255	See the Virtual Color Wheel Chart
25	65	Control	000 ⇔ 255	See the Control Chart

RGB 24ch - RGBWL Full 131ch

130: RGBWL Full 131ch, 75: RGBWL Ext. 75ch, 67: RGBW Ext. 67ch, 59: RGB Ext. 59ch, 80: RGBWL 16-bit 80ch, 40: RGBWL 40ch, 32: RGBW 32ch, 24: RGB 24ch

24	32	40	80	59	67	75	131	Function	Value	Percent/Setting
–	–	–	–	1	1	1	1	Dimmer 1	000 ⇔ 255	0–100%
–	–	–	–	–	–	–	2	Fine dimmer 1	000 ⇔ 255	0–100%
1	1	1	1	2	2	2	3	Red 1	000 ⇔ 255	0–100%
–	–	–	2	–	–	–	4	Fine red 1	000 ⇔ 255	0–100%
2	2	2	3	3	3	3	5	Green 1	000 ⇔ 255	0–100%
–	–	–	4	–	–	–	6	Fine green 1	000 ⇔ 255	0–100%
3	3	3	5	4	4	4	7	Blue 1	000 ⇔ 255	0–100%
–	–	–	6	–	–	–	8	Fine blue 1	000 ⇔ 255	0–100%
–	4	4	7	–	5	5	9	White 1	000 ⇔ 255	0–100%
–	–	–	8	–	–	–	10	Fine white 1	000 ⇔ 255	0–100%
–	–	5	9	–	–	6	11	Lime 1	000 ⇔ 255	0–100%
–	–	–	10	–	–	–	12	Fine lime 1	000 ⇔ 255	0–100%
–	–	–	–	5	6	7	13	Color temperature 1	000 ⇔ 255	See the Color Temperature Chart

Operation

24	32	40	80	59	67	75	131	Function	Value	Percent/Setting
-	-	-	-	-	-	-	14	Fine color temp. 1	000 ⇔ 255	Fine CCT adjust
-	-	-	-	6	7	8	15	Tint 1 (default to 128)	000 ⇔ 255	-25–+25% green
-	-	-	-	7	8	9	16	Blend CCT with RGBWwL mix 1 (default to 255)	000 001 ⇔ 126 127 ⇔ 128 129 ⇔ 254 255	100% color temperature control 99–51% CCT, 1–49% RGBWwL 50% CCT, 50% RGBWwL mix 49–1% CCT, 51–99% RGBWwL 100% RGBWwL mix
-	-	-	-	8	9	10	17	Dimmer 2	000 ⇔ 255	0–100%
-	-	-	-	-	-	-	18	Fine dimmer 2	000 ⇔ 255	0–100%
4	5	6	11	9	10	11	19	Red 2	000 ⇔ 255	0–100%
-	-	-	12	-	-	-	20	Fine red 2	000 ⇔ 255	0–100%
5	6	7	13	10	11	12	21	Green 2	000 ⇔ 255	0–100%
-	-	-	14	-	-	-	22	Fine green 2	000 ⇔ 255	0–100%
6	7	8	15	11	12	13	23	Blue 2	000 ⇔ 255	0–100%
-	-	-	16	-	-	-	24	Fine blue 2	000 ⇔ 255	0–100%
-	8	9	17	-	13	14	25	White 2	000 ⇔ 255	0–100%
-	-	-	18	-	-	-	26	Fine white 2	000 ⇔ 255	0–100%
-	-	10	19	-	-	15	27	Lime 2	000 ⇔ 255	0–100%
-	-	-	20	-	-	-	28	Fine lime 2	000 ⇔ 255	0–100%
-	-	-	-	12	14	16	29	Color temperature 2	000 ⇔ 255	See the Color Temperature Chart
-	-	-	-	-	-	-	30	Fine color temp. 2	000 ⇔ 255	Fine CCT adjust
-	-	-	-	13	15	17	31	Tint 2 (default to 128)	000 ⇔ 255	-25–+25% green
-	-	-	-	14	16	18	32	Blend CCT with RGBWwL mix 2 (default to 255)	000 001 ⇔ 126 127 ⇔ 128 129 ⇔ 254 255	100% color temperature control 99–51% CCT, 1–49% RGBWwL 50% CCT, 50% RGBWwL mix 49–1% CCT, 51–99% RGBWwL 100% RGBWwL mix
-	-	-	-	15	17	19	33	Dimmer 3	000 ⇔ 255	0–100%
-	-	-	-	-	-	-	34	Fine dimmer 3	000 ⇔ 255	0–100%
7	9	11	21	16	18	20	35	Red 3	000 ⇔ 255	0–100%
-	-	-	22	-	-	-	36	Fine red 3	000 ⇔ 255	0–100%
8	10	12	23	17	19	21	37	Green 3	000 ⇔ 255	0–100%
-	-	-	24	-	-	-	38	Fine green 3	000 ⇔ 255	0–100%
9	11	13	25	18	20	22	39	Blue 3	000 ⇔ 255	0–100%
-	-	-	26	-	-	-	40	Fine blue 3	000 ⇔ 255	0–100%
-	12	14	27	-	21	23	41	White 3	000 ⇔ 255	0–100%
-	-	-	28	-	-	-	42	Fine white 3	000 ⇔ 255	0–100%
-	-	15	29	-	-	24	43	Lime 3	000 ⇔ 255	0–100%
-	-	-	30	-	-	-	44	Fine lime 3	000 ⇔ 255	0–100%
-	-	-	-	19	22	25	45	Color temperature 3	000 ⇔ 255	See the Color Temperature Chart
-	-	-	-	-	-	-	46	Fine color temp. 3	000 ⇔ 255	Fine CCT adjust, warm to cool
-	-	-	-	20	23	26	47	Tint 3 (default to 128)	000 ⇔ 255	-25–+25% green
-	-	-	-	21	24	27	48	Blend CCT with RGBWwL mix 3 (default to 255)	000 001 ⇔ 126 127 ⇔ 128 129 ⇔ 254 255	100% color temperature control 99–51% CCT, 1–49% RGBWwL 50% CCT, 50% RGBWwL mix 49–1% CCT, 51–99% RGBWwL 100% RGBWwL mix

24	32	40	80	59	67	75	131	Function	Value	Percent/Setting
-	-	-	-	22	25	28	49	Dimmer 4	000 ⇔ 255	0–100%
-	-	-	-	-	-	-	50	Fine dimmer 4	000 ⇔ 255	0–100%
10	13	16	31	23	26	29	51	Red 4	000 ⇔ 255	0–100%
-	-	-	32	-	-	-	52	Fine red 4	000 ⇔ 255	0–100%
11	14	17	33	24	27	30	53	Green 4	000 ⇔ 255	0–100%
-	-	-	34	-	-	-	54	Fine green 4	000 ⇔ 255	0–100%
12	15	18	35	25	28	31	55	Blue 4	000 ⇔ 255	0–100%
-	-	-	36	-	-	-	56	Fine blue 4	000 ⇔ 255	0–100%
-	16	19	37	-	29	32	57	White 4	000 ⇔ 255	0–100%
-	-	-	38	-	-	-	58	Fine white 4	000 ⇔ 255	0–100%
-	-	20	39	-	-	33	59	Lime 4	000 ⇔ 255	0–100%
-	-	-	40	-	-	-	60	Fine lime 4	000 ⇔ 255	0–100%
-	-	-	-	26	30	34	61	Color temperature 4	000 ⇔ 255	See the Color Temperature Chart
-	-	-	-	-	-	-	62	Fine color temp. 4	000 ⇔ 255	Fine CCT adjust
-	-	-	-	27	31	35	63	Tint 4 (default to 128)	000 ⇔ 255	-25–+25% green
-	-	-	-	28	32	36	64	Blend CCT with RGBWwL mix 4 (default to 255)	000 001 ⇔ 126 127 ⇔ 128 129 ⇔ 254 255	100% color temperature control 99–51% CCT, 1–49% RGBWwL 50% CCT, 50% RGBWwL mix 49–1% CCT, 51–99% RGBWwL 100% RGBWwL mix
-	-	-	-	29	33	37	65	Dimmer 5	000 ⇔ 255	0–100%
-	-	-	-	-	-	-	66	Fine dimmer 5	000 ⇔ 255	0–100%
13	17	21	41	30	34	38	67	Red 5	000 ⇔ 255	0–100%
-	-	-	42	-	-	-	68	Fine red 5	000 ⇔ 255	0–100%
14	18	22	43	31	35	39	69	Green 5	000 ⇔ 255	0–100%
-	-	-	44	-	-	-	70	Fine green 5	000 ⇔ 255	0–100%
15	19	23	45	32	36	40	71	Blue 5	000 ⇔ 255	0–100%
-	-	-	46	-	-	-	72	Fine blue 5	000 ⇔ 255	0–100%
-	20	24	47	-	37	41	73	White 5	000 ⇔ 255	0–100%
-	-	-	48	-	-	-	74	Fine white 5	000 ⇔ 255	0–100%
-	-	25	49	-	-	42	75	Lime 5	000 ⇔ 255	0–100%
-	-	-	50	-	-	-	76	Fine lime 5	000 ⇔ 255	0–100%
-	-	-	-	33	38	43	77	Color temperature 5	000 ⇔ 255	See the Color Temperature Chart
-	-	-	-	-	-	-	78	Fine color temp. 5	000 ⇔ 255	Fine CCT adjust
-	-	-	-	34	39	44	79	Tint 5 (default to 128)	000 ⇔ 255	-25–+25% green
-	-	-	-	35	40	45	80	Blend CCT with RGBWwL mix 5 (default to 255)	000 001 ⇔ 126 127 ⇔ 128 129 ⇔ 254 255	100% color temperature control 99–51% CCT, 1–49% RGBWwL 50% CCT, 50% RGBWwL mix 49–1% CCT, 51–99% RGBWwL 100% RGBWwL mix
-	-	-	-	36	41	46	81	Dimmer 6	000 ⇔ 255	0–100%
-	-	-	-	-	-	-	82	Fine dimmer 6	000 ⇔ 255	0–100%
16	21	26	51	37	42	47	83	Red 6	000 ⇔ 255	0–100%
-	-	-	52	-	-	-	84	Fine red 6	000 ⇔ 255	0–100%
17	22	27	53	38	43	48	85	Green 6	000 ⇔ 255	0–100%
-	-	-	54	-	-	-	86	Fine green 6	000 ⇔ 255	0–100%
18	23	28	55	39	44	49	87	Blue 6	000 ⇔ 255	0–100%

Operation

24	32	40	80	59	67	75	131	Function	Value	Percent/Setting
-	-	-	56	-	-	-	88	Fine blue 6	000 ⇔ 255	0–100%
-	24	29	57	-	45	50	89	White 6	000 ⇔ 255	0–100%
-	-	-	58	-	-	-	90	Fine white 6	000 ⇔ 255	0–100%
-	-	30	59	-	-	51	91	Lime 6	000 ⇔ 255	0–100%
-	-	-	60	-	-	-	92	Fine lime 6	000 ⇔ 255	0–100%
-	-	-	-	40	46	52	93	Color temperature 6	000 ⇔ 255	See the Color Temperature Chart
-	-	-	-	-	-	-	94	Fine color temp. 6	000 ⇔ 255	Fine CCT adjust
-	-	-	-	41	47	53	95	Tint 6 (default to 128)	000 ⇔ 255	-25–+25% green
-	-	-	-	42	48	54	96	Blend CCT with RGBWwL mix 6 (default to 255)	000 001 ⇔ 126 127 ⇔ 128 129 ⇔ 254 255	100% color temperature control 99–51% CCT, 1–49% RGBWwL 50% CCT, 50% RGBWwL mix 49–1% CCT, 51–99% RGBWwL 100% RGBWwL mix
-	-	-	-	43	49	55	97	Dimmer 7	000 ⇔ 255	0–100%
-	-	-	-	-	-	-	98	Fine dimmer 7	000 ⇔ 255	0–100%
19	25	31	61	44	50	56	99	Red 7	000 ⇔ 255	0–100%
-	-	-	62	-	-	-	100	Fine red 7	000 ⇔ 255	0–100%
20	26	32	63	45	51	57	101	Green 7	000 ⇔ 255	0–100%
-	-	-	64	-	-	-	102	Fine green 7	000 ⇔ 255	0–100%
21	27	33	65	46	52	58	103	Blue 7	000 ⇔ 255	0–100%
-	-	-	66	-	-	-	104	Fine blue 7	000 ⇔ 255	0–100%
-	28	34	67	-	53	59	105	White 7	000 ⇔ 255	0–100%
-	-	-	68	-	-	-	106	Fine white 7	000 ⇔ 255	0–100%
-	-	35	69	-	-	60	107	Lime 7	000 ⇔ 255	0–100%
-	-	-	70	-	-	-	108	Fine lime 7	000 ⇔ 255	0–100%
-	-	-	-	47	54	61	109	Color temperature 7	000 ⇔ 255	See the Color Temperature Chart
-	-	-	-	-	-	-	110	Fine color temp. 7	000 ⇔ 255	Fine CCT adjust
-	-	-	-	48	55	62	111	Tint 7 (default to 128)	000 ⇔ 255	-25–+25% green
-	-	-	-	49	56	63	112	Blend CCT with RGBWwL mix 7 (default to 255)	000 001 ⇔ 126 127 ⇔ 128 129 ⇔ 254 255	100% color temperature control 99–51% CCT, 1–49% RGBWwL 50% CCT, 50% RGBWwL mix 49–1% CCT, 51–99% RGBWwL 100% RGBWwL mix
-	-	-	-	50	57	64	113	Dimmer 8	000 ⇔ 255	0–100%
-	-	-	-	-	-	-	114	Fine dimmer 8	000 ⇔ 255	0–100%
22	29	36	71	51	58	65	115	Red 8	000 ⇔ 255	0–100%
-	-	-	72	-	-	-	116	Fine red 8	000 ⇔ 255	0–100%
23	30	37	73	52	59	66	117	Green 8	000 ⇔ 255	0–100%
-	-	-	74	-	-	-	118	Fine green 8	000 ⇔ 255	0–100%
24	31	38	75	53	60	67	119	Blue 8	000 ⇔ 255	0–100%
-	-	-	76	-	-	-	120	Fine blue 8	000 ⇔ 255	0–100%
-	32	39	77	-	61	68	121	White 8	000 ⇔ 255	0–100%
-	-	-	78	-	-	-	122	Fine white 8	000 ⇔ 255	0–100%
-	-	40	79	-	-	69	123	Lime 8	000 ⇔ 255	0–100%
-	-	-	80	-	-	-	124	Fine lime 8	000 ⇔ 255	0–100%
-	-	-	-	54	62	70	125	Color temperature 8	000 ⇔ 255	See the Color Temperature Chart
-	-	-	-	-	-	-	126	Fine color temp. 8	000 ⇔ 255	Fine CCT adjust

24	32	40	80	59	67	75	131	Function	Value	Percent/Setting
-	-	-	-	55	63	71	127	Tint 8 (default to 128)	000 ⇔ 255	-25–+25% green
-	-	-	-	56	64	72	128	Blend CCT with RGBWwL mix 8 (default to 255)	000	100% color temperature control
-	-	-	-	56	64	72	128		001 ⇔ 126	99–51% CCT, 1–49% RGBWwL
-	-	-	-	56	64	72	128		127 ⇔ 128	50% CCT, 50% RGBWwL mix
-	-	-	-	56	64	72	128		129 ⇔ 254	49–1% CCT, 51–99% RGBWwL
-	-	-	-	57	65	73	129	Strobe	000 ⇔ 255	See the Strobe Chart
-	-	-	-	58	66	74	130	Virtual Color Wheel	000 ⇔ 255	See the Virtual Color Wheel Chart
-	-	-	-	59	67	75	131	Control	000 ⇔ 255	See the Control Chart

HSV 25ch

Channel	Function	Value	Percent/Setting
1	Hue 1	000 ⇔ 255	0–100%
2	Saturation 1	000 ⇔ 255	0–100%
3	Value 1	000 ⇔ 255	0–100%
4	Hue 2	000 ⇔ 255	0–100%
5	Saturation 2	000 ⇔ 255	0–100%
6	Value 2	000 ⇔ 255	0–100%
7	Hue 3	000 ⇔ 255	0–100%
8	Saturation 3	000 ⇔ 255	0–100%
9	Value 3	000 ⇔ 255	0–100%
10	Hue 4	000 ⇔ 255	0–100%
11	Saturation 4	000 ⇔ 255	0–100%
12	Value 4	000 ⇔ 255	0–100%
13	Hue 5	000 ⇔ 255	0–100%
14	Saturation 5	000 ⇔ 255	0–100%
15	Value 5	000 ⇔ 255	0–100%
16	Hue 6	000 ⇔ 255	0–100%
17	Saturation 6	000 ⇔ 255	0–100%
18	Value 6	000 ⇔ 255	0–100%
19	Hue 7	000 ⇔ 255	0–100%
20	Saturation 7	000 ⇔ 255	0–100%
21	Value 7	000 ⇔ 255	0–100%
22	Hue 8	000 ⇔ 255	0–100%
23	Saturation 8	000 ⇔ 255	0–100%
24	Value 8	000 ⇔ 255	0–100%
25	Control	000 ⇔ 255	See the Control Chart

Operation

CCT 25ch

Channel	Function	Value	Percent/Setting
1	Dimmer 1	000 ⇔ 255	0–100%
2	Color temperature 1	000 ⇔ 255	See the Color Temperature Chart
3	Tint 1 (default to 128)	000 ⇔ 255	-25–+25% green
4	Dimmer 2	000 ⇔ 255	0–100%
5	Color temperature 2	000 ⇔ 255	See the Color Temperature Chart
6	Tint 2 (default to 128)	000 ⇔ 255	-25–+25% green
7	Dimmer 3	000 ⇔ 255	0–100%
8	Color temperature 3	000 ⇔ 255	See the Color Temperature Chart
9	Tint 3 (default to 128)	000 ⇔ 255	-25–+25% green
10	Dimmer 4	000 ⇔ 255	0–100%
11	Color temperature 4	000 ⇔ 255	See the Color Temperature Chart
12	Tint 4 (default to 128)	000 ⇔ 255	-25–+25% green
13	Dimmer 5	000 ⇔ 255	0–100%
14	Color temperature 5	000 ⇔ 255	See the Color Temperature Chart
15	Tint 5 (default to 128)	000 ⇔ 255	-25–+25% green
16	Dimmer 6	000 ⇔ 255	0–100%
17	Color temperature 6	000 ⇔ 255	See the Color Temperature Chart
18	Tint 6 (default to 128)	000 ⇔ 255	-25–+25% green
19	Dimmer 7	000 ⇔ 255	0–100%
20	Color temperature 7	000 ⇔ 255	See the Color Temperature Chart
21	Tint 7 (default to 128)	000 ⇔ 255	-25–+25% green
22	Dimmer 8	000 ⇔ 255	0–100%
23	Color temperature 8	000 ⇔ 255	See the Color Temperature Chart
24	Tint 8 (default to 128)	000 ⇔ 255	-25–+25% green
25	Control	000 ⇔ 255	See the Control Chart

6 Cell Personalities

XY

XY	Ext.	Function	Value	Percent/Setting
1	1	Dimmer 1	000 ⇔ 255	0–100%
–	2	Fine dimmer 1	000 ⇔ 255	0–100%
2	3	X coordinate 1	000 ⇔ 255	0–100%
–	4	Fine X coordinate 1	000 ⇔ 255	0–100%
3	5	Y coordinate 1	000 ⇔ 255	0–100%
–	6	Fine Y coordinate 1	000 ⇔ 255	0–100%
–	7	Strobe 1	000 ⇔ 255	See the Strobe Chart
–	8	Virtual Color Wheel 1	000 ⇔ 255	See the Virtual Color Wheel Chart
4	9	Dimmer 2	000 ⇔ 255	0–100%
–	10	Fine dimmer 2	000 ⇔ 255	0–100%
5	11	X coordinate 2	000 ⇔ 255	0–100%
–	12	Fine X coordinate 2	000 ⇔ 255	0–100%
6	13	Y coordinate 2	000 ⇔ 255	0–100%
–	14	Fine Y coordinate 2	000 ⇔ 255	0–100%
–	15	Strobe 2	000 ⇔ 255	See the Strobe Chart
–	16	Virtual Color Wheel 2	000 ⇔ 255	See the Virtual Color Wheel Chart
7	17	Dimmer 3	000 ⇔ 255	0–100%

XY	Ext.	Function	Value	Percent/Setting
-	18	Fine dimmer 3	000 ⇔ 255	0-100%
8	19	X coordinate 3	000 ⇔ 255	0-100%
-	20	Fine X coordinate 3	000 ⇔ 255	0-100%
9	21	Y coordinate 3	000 ⇔ 255	0-100%
-	22	Fine Y coordinate 3	000 ⇔ 255	0-100%
-	23	Strobe 3	000 ⇔ 255	See the Strobe Chart
-	24	Virtual Color Wheel 3	000 ⇔ 255	See the Virtual Color Wheel Chart
10	25	Dimmer 4	000 ⇔ 255	0-100%
-	26	Fine dimmer 4	000 ⇔ 255	0-100%
11	27	X coordinate 4	000 ⇔ 255	0-100%
-	28	Fine X coordinate 4	000 ⇔ 255	0-100%
12	29	Y coordinate 4	000 ⇔ 255	0-100%
-	30	Fine Y coordinate 4	000 ⇔ 255	0-100%
-	31	Strobe 4	000 ⇔ 255	See the Strobe Chart
-	32	Virtual Color Wheel 4	000 ⇔ 255	See the Virtual Color Wheel Chart
13	33	Dimmer 5	000 ⇔ 255	0-100%
-	34	Fine dimmer 5	000 ⇔ 255	0-100%
14	35	X coordinate 5	000 ⇔ 255	0-100%
-	36	Fine X coordinate 5	000 ⇔ 255	0-100%
15	37	Y coordinate 5	000 ⇔ 255	0-100%
-	38	Fine Y coordinate 5	000 ⇔ 255	0-100%
-	39	Strobe 5	000 ⇔ 255	See the Strobe Chart
-	40	Virtual Color Wheel 5	000 ⇔ 255	See the Virtual Color Wheel Chart
16	41	Dimmer 6	000 ⇔ 255	0-100%
-	42	Fine dimmer 6	000 ⇔ 255	0-100%
17	43	X coordinate 6	000 ⇔ 255	0-100%
-	44	Fine X coordinate 6	000 ⇔ 255	0-100%
18	45	Y coordinate 6	000 ⇔ 255	0-100%
-	46	Fine Y coordinate 6	000 ⇔ 255	0-100%
-	47	Strobe 6	000 ⇔ 255	See the Strobe Chart
-	48	Virtual Color Wheel 6	000 ⇔ 255	See the Virtual Color Wheel Chart
19	49	Control	000 ⇔ 255	See the Control Chart

Operation

RGB 18ch - RGBWL Full 99ch

99: RGBWL Full 99ch, 57: RGBWL Ext. 57ch, 51: RGBW Ext. 51ch, 45: RGB Ext. 45ch, 60: RGBWL 16-bit 60ch, 30: RGBWL 30ch, 24: RGBW 24ch, 18: RGB 18ch

18	24	30	60	45	51	57	99	Function	Value	Percent/Setting
-	-	-	-	1	1	1	1	Dimmer 1	000 ⇔ 255	0–100%
-	-	-	-	-	-	-	2	Fine dimmer 1	000 ⇔ 255	0–100%
1	1	1	1	2	2	2	3	Red 1	000 ⇔ 255	0–100%
-	-	-	2	-	-	-	4	Fine red 1	000 ⇔ 255	0–100%
2	2	2	3	3	3	3	5	Green 1	000 ⇔ 255	0–100%
-	-	-	4	-	-	-	6	Fine green 1	000 ⇔ 255	0–100%
3	3	3	5	4	4	4	7	Blue 1	000 ⇔ 255	0–100%
-	-	-	6	-	-	-	8	Fine blue 1	000 ⇔ 255	0–100%
-	4	4	7	-	5	5	9	White 1	000 ⇔ 255	0–100%
-	-	-	8	-	-	-	10	Fine white 1	000 ⇔ 255	0–100%
-	-	5	9	-	-	6	11	Lime 1	000 ⇔ 255	0–100%
-	-	-	10	-	-	-	12	Fine lime 1	000 ⇔ 255	0–100%
-	-	-	-	5	6	7	13	Color temperature 1	000 ⇔ 255	See the Color Temperature Chart
-	-	-	-	-	-	-	14	Fine color temp. 1	000 ⇔ 255	Fine CCT adjust
-	-	-	-	6	7	8	15	Tint 1 (default to 128)	000 ⇔ 255	-25–+25% green
-	-	-	-	7	8	9	16	Blend CCT with RGBWwL mix 1 (default to 255)	000	100% color temperature control
-	-	-	-	-	-	-	-		001 ⇔ 126	99–51% CCT, 1–49% RGBWwL
-	-	-	-	-	-	-	-		127 ⇔ 128	50% CCT, 50% RGBWwL mix
-	-	-	-	-	-	-	-		129 ⇔ 254	49–1% CCT, 51–99% RGBWwL
-	-	-	-	8	9	10	17	Dimmer 2	000 ⇔ 255	0–100%
-	-	-	-	-	-	-	18	Fine dimmer 2	000 ⇔ 255	0–100%
4	5	6	11	9	10	11	19	Red 2	000 ⇔ 255	0–100%
-	-	-	12	-	-	-	20	Fine red 2	000 ⇔ 255	0–100%
5	6	7	13	10	11	12	21	Green 2	000 ⇔ 255	0–100%
-	-	-	14	-	-	-	22	Fine green 2	000 ⇔ 255	0–100%
6	7	8	15	11	12	13	23	Blue 2	000 ⇔ 255	0–100%
-	-	-	16	-	-	-	24	Fine blue 2	000 ⇔ 255	0–100%
-	8	9	17	-	13	14	25	White 2	000 ⇔ 255	0–100%
-	-	-	18	-	-	-	26	Fine white 2	000 ⇔ 255	0–100%
-	-	10	19	-	-	15	27	Lime 2	000 ⇔ 255	0–100%
-	-	-	20	-	-	-	28	Fine lime 2	000 ⇔ 255	0–100%
-	-	-	-	12	14	16	29	Color temperature 2	000 ⇔ 255	See the Color Temperature Chart
-	-	-	-	-	-	-	30	Fine color temp. 2	000 ⇔ 255	Fine CCT adjust
-	-	-	-	13	15	17	31	Tint 2 (default to 128)	000 ⇔ 255	-25–+25% green
-	-	-	-	14	16	18	32	Blend CCT with RGBWwL mix 2 (default to 255)	000	100% color temperature control
-	-	-	-	-	-	-	-		001 ⇔ 126	99–51% CCT, 1–49% RGBWwL
-	-	-	-	-	-	-	-		127 ⇔ 128	50% CCT, 50% RGBWwL mix
-	-	-	-	-	-	-	-		129 ⇔ 254	49–1% CCT, 51–99% RGBWwL
-	-	-	-	15	17	19	33	Dimmer 3	000 ⇔ 255	0–100%
-	-	-	-	-	-	-	34	Fine dimmer 3	000 ⇔ 255	0–100%
7	9	11	21	16	18	20	35	Red 3	000 ⇔ 255	0–100%
-	-	-	22	-	-	-	36	Fine red 3	000 ⇔ 255	0–100%

18	24	30	60	45	51	57	99	Function	Value	Percent/Setting
8	10	12	23	17	19	21	37	Green 3	000 ⇔ 255	0–100%
–	–	–	24	–	–	–	38	Fine green 3	000 ⇔ 255	0–100%
9	11	13	25	18	20	22	39	Blue 3	000 ⇔ 255	0–100%
–	–	–	26	–	–	–	40	Fine blue 3	000 ⇔ 255	0–100%
–	12	14	27	–	21	23	41	White 3	000 ⇔ 255	0–100%
–	–	–	28	–	–	–	42	Fine white 3	000 ⇔ 255	0–100%
–	–	15	29	–	–	24	43	Lime 3	000 ⇔ 255	0–100%
–	–	–	30	–	–	–	44	Fine lime 3	000 ⇔ 255	0–100%
–	–	–	–	19	22	25	45	Color temperature 3	000 ⇔ 255	See the Color Temperature Chart
–	–	–	–	–	–	–	46	Fine color temp. 3	000 ⇔ 255	Fine CCT adjust, warm to cool
–	–	–	–	20	23	26	47	Tint 3 (default to 128)	000 ⇔ 255	-25–+25% green
–	–	–	–	21	24	27	48	Blend CCT with RGBWwL mix 3 (default to 255)	000 001 ⇔ 126 127 ⇔ 128 129 ⇔ 254 255	100% color temperature control 99–51% CCT, 1–49% RGBWwL 50% CCT, 50% RGBWwL mix 49–1% CCT, 51–99% RGBWwL 100% RGBWwL mix
–	–	–	–	22	25	28	49	Dimmer 4	000 ⇔ 255	0–100%
–	–	–	–	–	–	–	50	Fine dimmer 4	000 ⇔ 255	0–100%
10	13	16	31	23	26	29	51	Red 4	000 ⇔ 255	0–100%
–	–	–	32	–	–	–	52	Fine red 4	000 ⇔ 255	0–100%
11	14	17	33	24	27	30	53	Green 4	000 ⇔ 255	0–100%
–	–	–	34	–	–	–	54	Fine green 4	000 ⇔ 255	0–100%
12	15	18	35	25	28	31	55	Blue 4	000 ⇔ 255	0–100%
–	–	–	36	–	–	–	56	Fine blue 4	000 ⇔ 255	0–100%
–	16	19	37	–	29	32	57	White 4	000 ⇔ 255	0–100%
–	–	–	38	–	–	–	58	Fine white 4	000 ⇔ 255	0–100%
–	–	20	39	–	–	33	59	Lime 4	000 ⇔ 255	0–100%
–	–	–	40	–	–	–	60	Fine lime 4	000 ⇔ 255	0–100%
–	–	–	–	26	30	34	61	Color temperature 4	000 ⇔ 255	See the Color Temperature Chart
–	–	–	–	–	–	–	62	Fine color temp. 4	000 ⇔ 255	Fine CCT adjust
–	–	–	–	27	31	35	63	Tint 4 (default to 128)	000 ⇔ 255	-25–+25% green
–	–	–	–	28	32	36	64	Blend CCT with RGBWwL mix 4 (default to 255)	000 001 ⇔ 126 127 ⇔ 128 129 ⇔ 254 255	100% color temperature control 99–51% CCT, 1–49% RGBWwL 50% CCT, 50% RGBWwL mix 49–1% CCT, 51–99% RGBWwL 100% RGBWwL mix
–	–	–	–	29	33	37	65	Dimmer 5	000 ⇔ 255	0–100%
–	–	–	–	–	–	–	66	Fine dimmer 5	000 ⇔ 255	0–100%
13	17	21	41	30	34	38	67	Red 5	000 ⇔ 255	0–100%
–	–	–	42	–	–	–	68	Fine red 5	000 ⇔ 255	0–100%
14	18	22	43	31	35	39	69	Green 5	000 ⇔ 255	0–100%
–	–	–	44	–	–	–	70	Fine green 5	000 ⇔ 255	0–100%
15	19	23	45	32	36	40	71	Blue 5	000 ⇔ 255	0–100%
–	–	–	46	–	–	–	72	Fine blue 5	000 ⇔ 255	0–100%
–	20	24	47	–	37	41	73	White 5	000 ⇔ 255	0–100%
–	–	–	48	–	–	–	74	Fine white 5	000 ⇔ 255	0–100%
–	–	25	49	–	–	42	75	Lime 5	000 ⇔ 255	0–100%

Operation

18	24	30	60	45	51	57	99	Function	Value	Percent/Setting
-	-	-	50	-	-	-	76	Fine lime 5	000 ⇔ 255	0–100%
-	-	-	-	33	38	43	77	Color temperature 5	000 ⇔ 255	See the Color Temperature Chart
-	-	-	-	-	-	-	78	Fine color temp. 5	000 ⇔ 255	Fine CCT adjust
-	-	-	-	34	39	44	79	Tint 5 (default to 128)	000 ⇔ 255	-25–+25% green
-	-	-	-	35	40	45	80	Blend CCT with RGBWwL mix 5 (default to 255)	000 001 ⇔ 126 127 ⇔ 128 129 ⇔ 254 255	100% color temperature control 99–51% CCT, 1–49% RGBWwL 50% CCT, 50% RGBWwL mix 49–1% CCT, 51–99% RGBWwL 100% RGBWwL mix
-	-	-	-	36	41	46	81	Dimmer 6	000 ⇔ 255	0–100%
-	-	-	-	-	-	-	82	Fine dimmer 6	000 ⇔ 255	0–100%
16	21	26	51	37	42	47	83	Red 6	000 ⇔ 255	0–100%
-	-	-	52	-	-	-	84	Fine red 6	000 ⇔ 255	0–100%
17	22	27	53	38	43	48	85	Green 6	000 ⇔ 255	0–100%
-	-	-	54	-	-	-	86	Fine green 6	000 ⇔ 255	0–100%
18	23	28	55	39	44	49	87	Blue 6	000 ⇔ 255	0–100%
-	-	-	56	-	-	-	88	Fine blue 6	000 ⇔ 255	0–100%
-	24	29	57	-	45	50	89	White 6	000 ⇔ 255	0–100%
-	-	-	58	-	-	-	90	Fine white 6	000 ⇔ 255	0–100%
-	-	30	59	-	-	51	91	Lime 6	000 ⇔ 255	0–100%
-	-	-	60	-	-	-	92	Fine lime 6	000 ⇔ 255	0–100%
-	-	-	-	40	46	52	93	Color temperature 6	000 ⇔ 255	See the Color Temperature Chart
-	-	-	-	-	-	-	94	Fine color temp. 6	000 ⇔ 255	Fine CCT adjust
-	-	-	-	41	47	53	95	Tint 6 (default to 128)	000 ⇔ 255	-25–+25% green
-	-	-	-	42	48	54	96	Blend CCT with RGBWwL mix 6 (default to 255)	000 001 ⇔ 126 127 ⇔ 128 129 ⇔ 254 255	100% color temperature control 99–51% CCT, 1–49% RGBWwL 50% CCT, 50% RGBWwL mix 49–1% CCT, 51–99% RGBWwL 100% RGBWwL mix
-	-	-	-	43	49	55	97	Strobe	000 ⇔ 255	See the Strobe Chart
-	-	-	-	44	50	56	98	Virtual Color Wheel	000 ⇔ 255	See the Virtual Color Wheel Chart
-	-	-	-	45	51	57	99	Control	000 ⇔ 255	See the Control Chart

HSV 19ch

Channel	Function	Value	Percent/Setting
1	Hue 1	000 ⇔ 255	0–100%
2	Saturation 1	000 ⇔ 255	0–100%
3	Value 1	000 ⇔ 255	0–100%
4	Hue 2	000 ⇔ 255	0–100%
5	Saturation 2	000 ⇔ 255	0–100%
6	Value 2	000 ⇔ 255	0–100%
7	Hue 3	000 ⇔ 255	0–100%
8	Saturation 3	000 ⇔ 255	0–100%
9	Value 3	000 ⇔ 255	0–100%
10	Hue 4	000 ⇔ 255	0–100%
11	Saturation 4	000 ⇔ 255	0–100%
12	Value 4	000 ⇔ 255	0–100%

Channel	Function	Value	Percent/Setting
13	Hue 5	000 ⇔ 255	0–100%
14	Saturation 5	000 ⇔ 255	0–100%
15	Value 5	000 ⇔ 255	0–100%
16	Hue 6	000 ⇔ 255	0–100%
17	Saturation 6	000 ⇔ 255	0–100%
18	Value 6	000 ⇔ 255	0–100%
19	Control	000 ⇔ 255	See the Control Chart

CCT 19ch

Channel	Function	Value	Percent/Setting
1	Dimmer 1	000 ⇔ 255	0–100%
2	Color temperature 1	000 ⇔ 255	See the Color Temperature Chart
3	Tint 1 (default to 128)	000 ⇔ 255	-25–+25% green
4	Dimmer 2	000 ⇔ 255	0–100%
5	Color temperature 2	000 ⇔ 255	See the Color Temperature Chart
6	Tint 2 (default to 128)	000 ⇔ 255	-25–+25% green
7	Dimmer 3	000 ⇔ 255	0–100%
8	Color temperature 3	000 ⇔ 255	See the Color Temperature Chart
9	Tint 3 (default to 128)	000 ⇔ 255	-25–+25% green
10	Dimmer 4	000 ⇔ 255	0–100%
11	Color temperature 4	000 ⇔ 255	See the Color Temperature Chart
12	Tint 4 (default to 128)	000 ⇔ 255	-25–+25% green
13	Dimmer 5	000 ⇔ 255	0–100%
14	Color temperature 5	000 ⇔ 255	See the Color Temperature Chart
15	Tint 5 (default to 128)	000 ⇔ 255	-25–+25% green
16	Dimmer 6	000 ⇔ 255	0–100%
17	Color temperature 6	000 ⇔ 255	See the Color Temperature Chart
18	Tint 6 (default to 128)	000 ⇔ 255	-25–+25% green
19	Control	000 ⇔ 255	See the Control Chart

Operation

4 Cell Personalities

XY

XY	Ext.	Function	Value	Percent/Setting
1	1	Dimmer 1	000 ⇔ 255	0–100%
–	2	Fine dimmer 1	000 ⇔ 255	0–100%
2	3	X coordinate 1	000 ⇔ 255	0–100%
–	4	Fine X coordinate 1	000 ⇔ 255	0–100%
3	5	Y coordinate 1	000 ⇔ 255	0–100%
–	6	Fine Y coordinate 1	000 ⇔ 255	0–100%
–	7	Strobe 1	000 ⇔ 255	See the Strobe Chart
–	8	Virtual Color Wheel 1	000 ⇔ 255	See the Virtual Color Wheel Chart
4	9	Dimmer 2	000 ⇔ 255	0–100%
–	10	Fine dimmer 2	000 ⇔ 255	0–100%
5	11	X coordinate 2	000 ⇔ 255	0–100%
–	12	Fine X coordinate 2	000 ⇔ 255	0–100%
6	13	Y coordinate 2	000 ⇔ 255	0–100%
–	14	Fine Y coordinate 2	000 ⇔ 255	0–100%
–	15	Strobe 2	000 ⇔ 255	See the Strobe Chart
–	16	Virtual Color Wheel 2	000 ⇔ 255	See the Virtual Color Wheel Chart
7	17	Dimmer 3	000 ⇔ 255	0–100%
–	18	Fine dimmer 3	000 ⇔ 255	0–100%
8	19	X coordinate 3	000 ⇔ 255	0–100%
–	20	Fine X coordinate 3	000 ⇔ 255	0–100%
9	21	Y coordinate 3	000 ⇔ 255	0–100%
–	22	Fine Y coordinate 3	000 ⇔ 255	0–100%
–	23	Strobe 3	000 ⇔ 255	See the Strobe Chart
–	24	Virtual Color Wheel 3	000 ⇔ 255	See the Virtual Color Wheel Chart
10	25	Dimmer 4	000 ⇔ 255	0–100%
–	26	Fine dimmer 4	000 ⇔ 255	0–100%
11	27	X coordinate 4	000 ⇔ 255	0–100%
–	28	Fine X coordinate 4	000 ⇔ 255	0–100%
12	29	Y coordinate 4	000 ⇔ 255	0–100%
–	30	Fine Y coordinate 4	000 ⇔ 255	0–100%
–	31	Strobe 4	000 ⇔ 255	See the Strobe Chart
–	32	Virtual Color Wheel 4	000 ⇔ 255	See the Virtual Color Wheel Chart
13	33	Control	000 ⇔ 255	See the Control Chart

RGB 12ch - RGBWL Full 67ch

67: RGBWL Full 67ch, 39: RGBWL Ext. 39ch, 35: RGBW Ext. 35ch, 31: RGB Ext. 31ch, 40: RGBWL 16-bit 40ch, 20: RGBWL 20ch, 16: RGBW 16ch, 12: RGB 12ch

12	16	20	40	31	35	39	67	Function	Value	Percent/Setting
-	-	-	-	1	1	1	1	Dimmer 1	000 ⇔ 255	0–100%
-	-	-	-	-	-	-	2	Fine dimmer 1	000 ⇔ 255	0–100%
1	1	1	1	2	2	2	3	Red 1	000 ⇔ 255	0–100%
-	-	-	2	-	-	-	4	Fine red 1	000 ⇔ 255	0–100%
2	2	2	3	3	3	3	5	Green 1	000 ⇔ 255	0–100%
-	-	-	4	-	-	-	6	Fine green 1	000 ⇔ 255	0–100%
3	3	3	5	4	4	4	7	Blue 1	000 ⇔ 255	0–100%
-	-	-	6	-	-	-	8	Fine blue 1	000 ⇔ 255	0–100%
-	4	4	7	-	5	5	9	White 1	000 ⇔ 255	0–100%
-	-	-	8	-	-	-	10	Fine white 1	000 ⇔ 255	0–100%
-	-	5	9	-	-	6	11	Lime 1	000 ⇔ 255	0–100%
-	-	-	10	-	-	-	12	Fine lime 1	000 ⇔ 255	0–100%
-	-	-	-	5	6	7	13	Color temperature 1	000 ⇔ 255	See the Color Temperature Chart
-	-	-	-	-	-	-	14	Fine color temp. 1	000 ⇔ 255	Fine CCT adjust
-	-	-	-	6	7	8	15	Tint 1 (default to 128)	000 ⇔ 255	-25–+25% green
-	-	-	-	7	8	9	16	Blend CCT with RGBWwL mix 1 (default to 255)	000 001 ⇔ 126 127 ⇔ 128 129 ⇔ 254 255	100% color temperature control 99–51% CCT, 1–49% RGBWwL 50% CCT, 50% RGBWwL mix 49–1% CCT, 51–99% RGBWwL 100% RGBWwL mix
-	-	-	-	8	9	10	17	Dimmer 2	000 ⇔ 255	0–100%
-	-	-	-	-	-	-	18	Fine dimmer 2	000 ⇔ 255	0–100%
4	5	6	11	9	10	11	19	Red 2	000 ⇔ 255	0–100%
-	-	-	12	-	-	-	20	Fine red 2	000 ⇔ 255	0–100%
5	6	7	13	10	11	12	21	Green 2	000 ⇔ 255	0–100%
-	-	-	14	-	-	-	22	Fine green 2	000 ⇔ 255	0–100%
6	7	8	15	11	12	13	23	Blue 2	000 ⇔ 255	0–100%
-	-	-	16	-	-	-	24	Fine blue 2	000 ⇔ 255	0–100%
-	8	9	17	-	13	14	25	White 2	000 ⇔ 255	0–100%
-	-	-	18	-	-	-	26	Fine white 2	000 ⇔ 255	0–100%
-	-	10	19	-	-	15	27	Lime 2	000 ⇔ 255	0–100%
-	-	-	20	-	-	-	28	Fine lime 2	000 ⇔ 255	0–100%
-	-	-	-	12	14	16	29	Color temperature 2	000 ⇔ 255	See the Color Temperature Chart
-	-	-	-	-	-	-	30	Fine color temp. 2	000 ⇔ 255	Fine CCT adjust
-	-	-	-	13	15	17	31	Tint 2 (default to 128)	000 ⇔ 255	-25–+25% green
-	-	-	-	14	16	18	32	Blend CCT with RGBWwL mix 2 (default to 255)	000 001 ⇔ 126 127 ⇔ 128 129 ⇔ 254 255	100% color temperature control 99–51% CCT, 1–49% RGBWwL 50% CCT, 50% RGBWwL mix 49–1% CCT, 51–99% RGBWwL 100% RGBWwL mix
-	-	-	-	15	17	19	33	Dimmer 3	000 ⇔ 255	0–100%
-	-	-	-	-	-	-	34	Fine dimmer 3	000 ⇔ 255	0–100%
7	9	11	21	16	18	20	35	Red 3	000 ⇔ 255	0–100%
-	-	-	22	-	-	-	36	Fine red 3	000 ⇔ 255	0–100%

Operation

12	16	20	40	31	35	39	67	Function	Value	Percent/Setting
8	10	12	23	17	19	21	37	Green 3	000 ⇔ 255	0–100%
–	–	–	24	–	–	–	38	Fine green 3	000 ⇔ 255	0–100%
9	11	13	25	18	20	22	39	Blue 3	000 ⇔ 255	0–100%
–	–	–	26	–	–	–	40	Fine blue 3	000 ⇔ 255	0–100%
–	12	14	27	–	21	23	41	White 3	000 ⇔ 255	0–100%
–	–	–	28	–	–	–	42	Fine white 3	000 ⇔ 255	0–100%
–	–	15	29	–	–	24	43	Lime 3	000 ⇔ 255	0–100%
–	–	–	30	–	–	–	44	Fine lime 3	000 ⇔ 255	0–100%
–	–	–	–	19	22	25	45	Color temperature 3	000 ⇔ 255	See the Color Temperature Chart
–	–	–	–	–	–	–	46	Fine color temp. 3	000 ⇔ 255	Fine CCT adjust, warm to cool
–	–	–	–	20	23	26	47	Tint 3 (default to 128)	000 ⇔ 255	-25–+25% green
–	–	–	–	21	24	27	48	Blend CCT with RGBWwL mix 3 (default to 255)	000 001 ⇔ 126 127 ⇔ 128 129 ⇔ 254 255	100% color temperature control 99–51% CCT, 1–49% RGBWwL 50% CCT, 50% RGBWwL mix 49–1% CCT, 51–99% RGBWwL 100% RGBWwL mix
–	–	–	–	22	25	28	49	Dimmer 4	000 ⇔ 255	0–100%
–	–	–	–	–	–	–	50	Fine dimmer 4	000 ⇔ 255	0–100%
10	13	16	31	23	26	29	51	Red 4	000 ⇔ 255	0–100%
–	–	–	32	–	–	–	52	Fine red 4	000 ⇔ 255	0–100%
11	14	17	33	24	27	30	53	Green 4	000 ⇔ 255	0–100%
–	–	–	34	–	–	–	54	Fine green 4	000 ⇔ 255	0–100%
12	15	18	35	25	28	31	55	Blue 4	000 ⇔ 255	0–100%
–	–	–	36	–	–	–	56	Fine blue 4	000 ⇔ 255	0–100%
–	16	19	37	–	29	32	57	White 4	000 ⇔ 255	0–100%
–	–	–	38	–	–	–	58	Fine white 4	000 ⇔ 255	0–100%
–	–	20	39	–	–	33	59	Lime 4	000 ⇔ 255	0–100%
–	–	–	40	–	–	–	60	Fine lime 4	000 ⇔ 255	0–100%
–	–	–	–	26	30	34	61	Color temperature 4	000 ⇔ 255	See the Color Temperature Chart
–	–	–	–	–	–	–	62	Fine color temp. 4	000 ⇔ 255	Fine CCT adjust
–	–	–	–	27	31	35	63	Tint 4 (default to 128)	000 ⇔ 255	-25–+25% green
–	–	–	–	28	32	36	64	Blend CCT with RGBWwL mix 4 (default to 255)	000 001 ⇔ 126 127 ⇔ 128 129 ⇔ 254 255	100% color temperature control 99–51% CCT, 1–49% RGBWwL 50% CCT, 50% RGBWwL mix 49–1% CCT, 51–99% RGBWwL 100% RGBWwL mix
–	–	–	–	29	33	37	65	Strobe	000 ⇔ 255	See the Strobe Chart
–	–	–	–	20	34	38	66	Virtual Color Wheel	000 ⇔ 255	See the Virtual Color Wheel Chart
–	–	–	–	31	35	39	67	Control	000 ⇔ 255	See the Control Chart

HSV 13ch

Channel	Function	Value	Percent/Setting
1	Hue 1	000 ⇄ 255	0–100%
2	Saturation 1	000 ⇄ 255	0–100%
3	Value 1	000 ⇄ 255	0–100%
4	Hue 2	000 ⇄ 255	0–100%
5	Saturation 2	000 ⇄ 255	0–100%
6	Value 2	000 ⇄ 255	0–100%
7	Hue 3	000 ⇄ 255	0–100%
8	Saturation 3	000 ⇄ 255	0–100%
9	Value 3	000 ⇄ 255	0–100%
10	Hue 4	000 ⇄ 255	0–100%
11	Saturation 4	000 ⇄ 255	0–100%
12	Value 4	000 ⇄ 255	0–100%
13	Control	000 ⇄ 255	See the Control Chart

CCT 13ch

Channel	Function	Value	Percent/Setting
1	Dimmer 1	000 ⇄ 255	0–100%
2	Color temperature 1	000 ⇄ 255	See the Color Temperature Chart
3	Tint 1 (default to 128)	000 ⇄ 255	-25–+25% green
4	Dimmer 2	000 ⇄ 255	0–100%
5	Color temperature 2	000 ⇄ 255	See the Color Temperature Chart
6	Tint 2 (default to 128)	000 ⇄ 255	-25–+25% green
7	Dimmer 3	000 ⇄ 255	0–100%
8	Color temperature 3	000 ⇄ 255	See the Color Temperature Chart
9	Tint 3 (default to 128)	000 ⇄ 255	-25–+25% green
10	Dimmer 4	000 ⇄ 255	0–100%
11	Color temperature 4	000 ⇄ 255	See the Color Temperature Chart
12	Tint 4 (default to 128)	000 ⇄ 255	-25–+25% green
13	Control	000 ⇄ 255	See the Control Chart

Operation

2 Cell Personalities

XY

XY	Ext.	Function	Value	Percent/Setting
1	1	Dimmer 1	000 ⇔ 255	0–100%
–	2	Fine dimmer 1	000 ⇔ 255	0–100%
2	3	X coordinate 1	000 ⇔ 255	0–100%
–	4	Fine X coordinate 1	000 ⇔ 255	0–100%
3	5	Y coordinate 1	000 ⇔ 255	0–100%
–	6	Fine Y coordinate 1	000 ⇔ 255	0–100%
–	7	Strobe 1	000 ⇔ 255	See the Strobe Chart
–	8	Virtual Color Wheel 1	000 ⇔ 255	See the Virtual Color Wheel Chart
4	9	Dimmer 2	000 ⇔ 255	0–100%
–	10	Fine dimmer 2	000 ⇔ 255	0–100%
5	11	X coordinate 2	000 ⇔ 255	0–100%
–	12	Fine X coordinate 2	000 ⇔ 255	0–100%
6	13	Y coordinate 2	000 ⇔ 255	0–100%
–	14	Fine Y coordinate 2	000 ⇔ 255	0–100%
–	15	Strobe 2	000 ⇔ 255	See the Strobe Chart
–	16	Virtual Color Wheel 2	000 ⇔ 255	See the Virtual Color Wheel Chart
7	17	Control	000 ⇔ 255	See the Control Chart

RGB 6ch - RGBWL Full 35ch

35: RGBWL Full 35ch, 21: RGBWL Ext. 21ch, 19: RGBW Ext. 19ch, 17: RGB Ext. 17ch, 20: RGBWL 16-bit 20ch, 10: RGBWL 10ch, 8: RGBW 8ch, 6: RGB 6ch

6	8	10	20	17	19	21	35	Function	Value	Percent/Setting
–	–	–	–	1	1	1	1	Dimmer 1	000 ⇔ 255	0–100%
–	–	–	–	–	–	–	2	Fine dimmer 1	000 ⇔ 255	0–100%
1	1	1	1	2	2	2	3	Red 1	000 ⇔ 255	0–100%
–	–	–	2	–	–	–	4	Fine red 1	000 ⇔ 255	0–100%
2	2	2	3	3	3	3	5	Green 1	000 ⇔ 255	0–100%
–	–	–	4	–	–	–	6	Fine green 1	000 ⇔ 255	0–100%
3	3	3	5	4	4	4	7	Blue 1	000 ⇔ 255	0–100%
–	–	–	6	–	–	–	8	Fine blue 1	000 ⇔ 255	0–100%
–	4	4	7	–	5	5	9	White 1	000 ⇔ 255	0–100%
–	–	–	8	–	–	–	10	Fine white 1	000 ⇔ 255	0–100%
–	–	5	9	–	–	6	11	Lime 1	000 ⇔ 255	0–100%
–	–	–	10	–	–	–	12	Fine lime 1	000 ⇔ 255	0–100%
–	–	–	–	5	6	7	13	Color temperature 1	000 ⇔ 255	See the Color Temperature Chart
–	–	–	–	–	–	–	14	Fine color temp. 1	000 ⇔ 255	Fine CCT adjust
–	–	–	–	6	7	8	15	Tint 1 (default to 128)	000 ⇔ 255	–25–+25% green
–	–	–	–	7	8	9	16	Blend CCT with RGBWwL mix 1 (default to 255)	000 001 ⇔ 126 127 ⇔ 128 129 ⇔ 254 255	100% color temperature control 99–51% CCT, 1–49% RGBWwL 50% CCT, 50% RGBWwL mix 49–1% CCT, 51–99% RGBWwL 100% RGBWwL mix
–	–	–	–	8	9	10	17	Dimmer 2	000 ⇔ 255	0–100%
–	–	–	–	–	–	–	18	Fine dimmer 2	000 ⇔ 255	0–100%
4	5	6	11	9	10	11	19	Red 2	000 ⇔ 255	0–100%
–	–	–	12	–	–	–	20	Fine red 2	000 ⇔ 255	0–100%

6	8	10	20	17	19	21	35	Function	Value	Percent/Setting
5	6	7	13	10	11	12	21	Green 2	000 ⇔ 255	0–100%
–	–	–	14	–	–	–	22	Fine green 2	000 ⇔ 255	0–100%
6	7	8	15	11	12	13	23	Blue 2	000 ⇔ 255	0–100%
–	–	–	16	–	–	–	24	Fine blue 2	000 ⇔ 255	0–100%
–	8	9	17	–	13	14	25	White 2	000 ⇔ 255	0–100%
–	–	–	18	–	–	–	26	Fine white 2	000 ⇔ 255	0–100%
–	–	10	19	–	–	15	27	Lime 2	000 ⇔ 255	0–100%
–	–	–	20	–	–	–	28	Fine lime 2	000 ⇔ 255	0–100%
–	–	–	–	12	14	16	29	Color temperature 2	000 ⇔ 255	See the Color Temperature Chart
–	–	–	–	–	–	–	30	Fine color temp. 2	000 ⇔ 255	Fine CCT adjust
–	–	–	–	13	15	17	31	Tint 2 (default to 128)	000 ⇔ 255	-25–+25% green
–	–	–	–	14	16	18	32	Blend CCT with RGBWwL mix 2 (default to 255)	000 001 ⇔ 126 127 ⇔ 128 129 ⇔ 254 255	100% color temperature control 99–51% CCT, 1–49% RGBWwL 50% CCT, 50% RGBWwL mix 49–1% CCT, 51–99% RGBWwL 100% RGBWwL mix
–	–	–	–	15	17	19	33	Strobe	000 ⇔ 255	See the Strobe Chart
–	–	–	–	16	18	20	34	Virtual Color Wheel	000 ⇔ 255	See the Virtual Color Wheel Chart
–	–	–	–	17	19	21	35	Control	000 ⇔ 255	See the Control Chart

HSV 7ch

Channel	Function	Value	Percent/Setting
1	Hue 1	000 ⇔ 255	0–100%
2	Saturation 1	000 ⇔ 255	0–100%
3	Value 1	000 ⇔ 255	0–100%
4	Hue 2	000 ⇔ 255	0–100%
5	Saturation 2	000 ⇔ 255	0–100%
6	Value 2	000 ⇔ 255	0–100%
7	Control	000 ⇔ 255	See the Control Chart

CCT 7ch

Channel	Function	Value	Percent/Setting
1	Dimmer 1	000 ⇔ 255	0–100%
2	Color temperature 1	000 ⇔ 255	See the Color Temperature Chart
3	Tint 1 (default to 128)	000 ⇔ 255	-25–+25% green
4	Dimmer 2	000 ⇔ 255	0–100%
5	Color temperature 2	000 ⇔ 255	See the Color Temperature Chart
6	Tint 2 (default to 128)	000 ⇔ 255	-25–+25% green
7	Control	000 ⇔ 255	See the Control Chart

Operation

1 Cell Personalities

XY

XY	Ext.	Function	Value	Percent/Setting
1	1	Dimmer	000 ⇔ 255	0–100%
–	2	Fine dimmer	000 ⇔ 255	0–100%
2	3	X coordinate	000 ⇔ 255	0–100%
–	4	Fine X coordinate	000 ⇔ 255	0–100%
3	5	Y coordinate	000 ⇔ 255	0–100%
–	6	Fine Y coordinate	000 ⇔ 255	0–100%
–	7	Strobe	000 ⇔ 255	See the Strobe Chart
–	8	Virtual Color Wheel	000 ⇔ 255	See the Virtual Color Wheel Chart
4	9	Control	000 ⇔ 255	See the Control Chart

RGB 3ch - RGBWL Full 19ch

19: RGBWL Full 19ch, 12: RGBWL Ext. 12ch, 11: RGBW Ext. 11ch, 10B: RGB Ext. 10ch, 10A: RGBWL 16-bit 10ch, 5: RGBWL 5ch, 4: RGBW 4ch, 3: RGB 3ch

3	4	5	10A	10B	11	12	19	Function	Value	Percent/Setting
–	–	–	–	1	1	1	1	Dimmer	000 ⇔ 255	0–100%
–	–	–	–	–	–	–	2	Fine dimmer	000 ⇔ 255	0–100%
1	1	1	1	2	2	2	3	Red	000 ⇔ 255	0–100%
–	–	–	2	–	–	–	4	Fine red	000 ⇔ 255	0–100%
2	2	2	3	3	3	3	5	Green	000 ⇔ 255	0–100%
–	–	–	4	–	–	–	6	Fine green	000 ⇔ 255	0–100%
3	3	3	5	4	4	4	7	Blue	000 ⇔ 255	0–100%
–	–	–	6	–	–	–	8	Fine blue	000 ⇔ 255	0–100%
–	4	4	7	–	5	5	9	White	000 ⇔ 255	0–100%
–	–	–	8	–	–	–	10	Fine white	000 ⇔ 255	0–100%
–	–	5	9	–	–	6	11	Lime	000 ⇔ 255	0–100%
–	–	–	10	–	–	–	12	Fine lime	000 ⇔ 255	0–100%
–	–	–	–	5	6	7	13	Color temperature	000 ⇔ 255	See the Color Temperature Chart
–	–	–	–	–	–	–	14	Fine color temp.	000 ⇔ 255	Fine CCT adjust
–	–	–	–	6	7	8	15	Tint (default to 128)	000 ⇔ 255	–25–+25% green
–	–	–	–	7	8	9	16	Blend CCT with RGBWwL mix (default to 255)	000 001 ⇔ 126 127 ⇔ 128 129 ⇔ 254 255	100% color temperature control 99–51% CCT, 1–49% RGBWwL 50% CCT, 50% RGBWwL mix 49–1% CCT, 51–99% RGBWwL 100% RGBWwL mix
–	–	–	–	8	9	10	17	Strobe	000 ⇔ 255	See the Strobe Chart
–	–	–	–	9	10	11	18	Virtual Color Wheel	000 ⇔ 255	See the Virtual Color Wheel Chart
–	–	–	–	10	11	12	19	Control	000 ⇔ 255	See the Control Chart

HSV 4ch

Channel	Function	Value	Percent/Setting
1	Hue	000 ⇔ 255	0–100%
2	Saturation	000 ⇔ 255	0–100%
3	Value	000 ⇔ 255	0–100%
4	Control	000 ⇔ 255	See the Control Chart

CCT 4ch

Channel	Function	Value	Percent/Setting
1	Dimmer	000 ⇄ 255	0–100%
2	Color temperature	000 ⇄ 255	See the Color Temperature Chart
3	Tint (default to 128)	000 ⇄ 255	-25–+25% green
4	Control	000 ⇄ 255	See the Control Chart

Standalone Configuration

Static Mode

The static mode options under **Virtual Color Wheel** also include preset color temperatures, a manual color mixer, and cross-fade speed.

Fixed Colors

To select a fixed color:

1. Go to the **Static** main level.
2. Select the **Fixed Colors** option.
3. Select the desired color combination, from **Red**, **Green**, **Blue**, **Warm White**, **Lime**, **RB** (Red and blue), **GB** (Green and blue), **RG** (Red and green), **RGB** (Red, green, and blue), **RGBWw** (Red, green, blue, and white), **RGBL** (Red, green, blue, and lime), or **RGBWwL** (Red, green, blue, white, and lime).
4. Set the **Dimmer** value (**000–255**).

Manual Color Mixer

To manually mix a custom static color:

1. Go to the **Static** main level.
2. Select the **Manual Color Mixer** option.
3. Select the color to edit (**Red**, **Green**, **Blue**, **Warm White**, or **Lime**).
4. Set the value for the selected color (**000–255**).
5. Repeat steps 3 and 4 until product outputs as desired.

Color Temperature

To select a preset color temperature:

1. Go to the **Static** main level.
2. Select the **Color Temperature** option.
3. Select the desired color temperature, from **2800K**, **3000K**, **3200K**, **3500K**, **4000K**, **4500K**, **5000K**, **5600K**, **6000K**, **6500K**, **7000K**, **7500K**, or **8000K**.
4. Set the **Dimmer** value (**000–255**).

Auto Show

To select an automatic program:

1. Go to the **Static** main level.
2. Select the **Auto Show** option.
3. Select the desired auto program (**Auto 1–6**).
4. Set the **Speed** value (**001–100**).

Virtual Color Wheel

To select from the Virtual Color Wheel:

1. Go to the **Static** main level.
2. Select the **Virtual Color Wheel** option.
3. Select the desired virtual gel color (see the [Virtual Color Wheel Chart](#)).
4. Set the **Dimmer** value (**000–255**).

Color X-Fade Speed

The Color X-Fade Speed option creates a fade transition between colors when using colors in the Virtual Color Wheel or the Color Temperature chart.

1. Go to the **Static** main level.
2. Select the **Color X-Fade Speed** option.
3. Select **Off** (to turn off the fade transition between colors) or **X-Fade Speed 1–4** (from fast to slow).

Operation

Settings Configuration

Master/Slave

To set the COLORado Solo Bar 6 product to master or slave mode:

1. Go to the **Master/Slave** main level.
2. Select from **Master** (sends control signal) or **Slave** (receives control signal).



- **Configure all the slave products before connecting the master to the daisy chain.**
- **Never connect a DMX controller to a DMX string configured for Master/Slave operation because the controller may interfere with the signals from the master.**
- **Do not connect more than 31 slaves to the master.**

Test Modes

To run an automatic test of the LED output or to test each LED color individually:

1. Go to the **Test Modes** main level.
2. Select from **Auto** (test all colors automatically) or **Manual Test**.
3. If **Manual Test**, select the desired parameter to test, from **Dimmer, Red, Green, Blue, Warm White, or Lime**.
4. Set the value of the selected parameter, from **000–255**.

Wireless Lumenradio CRMX™ Settings

Toggle CRMX™

To enable or disable wireless CRMX™ control:

1. Go to the **Wireless Setting** main level.
2. Select the **Receive Off/On** option.
3. Select from **Off** (disabled) or **On** (enabled).

Receiver Reset

To reset the CRMX™ receiver:

1. Go to the **Wireless Setting** main level.
2. Select the **Receive Reset** option.
3. Select from **No** (do not reset) or **Yes** (reset).

Wireless to DMX

The COLORado Solo Bar 6 can convert wireless CRMX™ to wired DMX output. To enable or disable this function:

1. Go to the **Wireless Setting** main level.
2. Select the **Wireless To DMX** option.
3. Select from **No** (do not convert) or **Yes** (convert).

Other Settings

Cell Order

To set the order of the cells:

1. Go to the **Other Settings** main level.
2. Select the **Cell Order** option.
3. Select from **1 > 24** or **24 > 1**.

Color Calibration

To configure the color calibration:

1. Go to the **Other Settings** main level.
2. Select the **Color Calibration** option.
3. Select from **Off, User Calibration, or Factory Calibration**.
4. If **User Calibration**, select the maximum color value to edit, from **Red, Green, Blue, Warm White, or Lime**.
5. Set the maximum level for the selected color, from **125–255**.
6. Repeat until the colors are calibrated as desired.

Red Shift

With red shift enabled, the color temperature will warm as the dimmer decreases in imitation of a lamp. To enable or disable the red shift function:

1. Go to the **Other Settings** main level.
2. Select the **Red Shift** option.
3. Select from **On** or **Off**.

Dimmer Curve

To set the dimmer curve:

1. Go to the **Other Settings** main level.
2. Select the **Dimmer Curve** option.
3. Select from **S-Curve**, **Linear**, **Square**, or **Inverse Square**.

Dimmer Speed Mode

To set the dimmer speed:

1. Go to the **Other Settings** main level.
2. Select the **Dimmer Mode** option.
3. Select the dimmer speed mode from **Off** (instant), **Dimmer 1** (fastest), **Dimmer 2**, or **Dimmer 3** (slowest).

Display Backlight

To set how long the display will stay lit without activity:

1. Go to the **Other Settings** main level.
2. Select the **Back Light** option.
3. Select from **10S** (10 seconds), **30S** (30 seconds), **2Min** (2 minutes), or **Always On**.

Display Invert

To invert the display:

1. Go to the **Other Settings** main level.
2. Select the **Display Invert** option.
3. Select from **Auto** (automatically sets display orientation), **No** (does not invert the display), or **Yes** (inverts the display).

Fan Mode

To set the fan mode:

1. Go to the **Other Settings** main level.
2. Select the **Fan Mode** option.
3. Select the fan mode, from **Auto** (adjusts to product temperature), **Full** (maximum output), **Silent** (silent mode), or **Off** (always off).

Pulse Width Modulation

To set the frequency of the pulse width modulation:

1. Go to the **Other Settings** main level.
2. Select the **LED Frequency** option.
3. Select the PWM frequency, from **600Hz**, **1200Hz**, **2000Hz**, **4000Hz**, **6000Hz**, or **25KHz**.

Key Lock

To lock or unlock the control panel:

1. Go to the **Other Settings** main level.
2. Select the **Key Lock** option.
3. Select **On** (locks control panel) or **Off** (control panel stays unlocked).



When the key lock is activated, the product will prompt for the passcode in order to access the menu. The passcode is <UP>, <DOWN>, <UP>, <DOWN>, <ENTER>.

Operation

Info & Updating

Information

To view product information, such as the number of hours the product has been on, the driver firmware, etc.:

1. Go to the **Info & Updating** main level.
2. Select the **Information** option.

Fan Speed

To view the speed of the fan:

1. Go to the **Info & Updating** main level.
2. Select the **Fan Speed** option.

Temperature

To view the temperatures of the display board and the LEDs in °C:

1. Go to the **Info & Updating** main level.
2. Select the **Temperature** option.

Clock Setting

To set the date and time on the internal clock:

1. Go to the **Info & Updating** main level.
2. Select the **Clock Setting** option.
3. Enter the year (**2000–2099**), month (**01–12**), day (**01–31**), hour (**00–24**), minute (**01–59**), and second (**01–59**).
4. Confirm **Save&ESC** to complete.

Current Time

To view the current date and time as set by the internal clock:

1. Go to the **Info & Updating** main level.
2. Select the **Current Time** option.

Factory Reset

To reset the product to factory default settings:

1. Go to the **Factory Reset** main level.
2. Select **No** (do not reset) or **Yes** (reset).

Web Server

The COLORado Solo Bar 6 Web Server can be accessed by any computer on the same network as the product. It allows network access to system information, settings such as control protocol and starting address, color output testing, and the ability to change the Web Server password.

1. Connect the product to a Windows computer with a network cable.
2. On the computer, set the IP address of the new network to have the same first 3 digits as the IP address of the product (See [IP Address](#)).
3. Enter the IP address of the product into the URL bar of a web browser on the computer.
4. Enter both the User Name and Password as **admin** to log in.

Home

The Web Server Home page displays the details of all available control personalities and the technical specifications for the COLORado Solo Bar 6.

Settings

The Web Server Settings page provides options for control. From the drop-down menus, the Protocol, Universe, Start Address, IP Address, Ethernet to DMX, Personality, Dimmer Curve, Dimmer Mode, and PWM Frequency can all be edited. Click **Save Settings** to send the new configuration to the product.

Output

On the Web Server Output page, an output test of the product's LEDs can be performed, by either editing the values of each LED manually (by typing the number or moving the fader), or by selecting a sample color. The page will show the current output color on the bottom left.

Security

The Web Server Security page gives the option to change the password to the connected product's web server. Enter the old password (**admin**, by default) and the new password twice, then click **Save Settings** to change the password.

Error Codes

See the table below for error codes and recommended solutions:

Error Code	Possible Reason	Potential Solution
Temperature shows -40°C	The thermistor is not welded properly	Replace the board or weld the thermistor
	The temperature control wire is not connected or has a poor connection	Check the wire connection
Temperature shows 125°C	The thermistor is not welded properly	Replace the board or weld the thermistor
	Short circuit in the temperature control connector	Check the temperature control wire connector
No such file!	USB has a poor connection	Replug the USB
	The USB internal wires have a poor connection	Change the USB
	No upgrade file in the USB	Check the files in the USB
Model error !	Error reading the file content	Check if the file content is correct

5. Maintenance

Product Maintenance

Dust build-up reduces light output performance and can cause overheating. This can lead to reduction of the light source's life and/or mechanical wear. To maintain optimum performance and minimize wear, clean each lighting product at least twice a month. However, be aware that usage and environmental conditions could be contributing factors to increase the cleaning frequency.

To clean the product, follow the instructions below:

1. Unplug the product from power.
2. Wait until the product is at room temperature.
3. Use a vacuum (or dry compressed air) and a soft brush to remove dust collected on the external surface/vents.
4. Clean all transparent surfaces with a mild soap solution, ammonia-free glass cleaner, or isopropyl alcohol.
5. Apply the solution directly to a soft, lint free cotton cloth or a lens cleaning tissue.
6. Softly drag any dirt or grime to the outside of the transparent surface.
7. Gently polish the transparent surfaces until they are free of haze and lint.



Always dry the transparent surfaces carefully after cleaning them.

Torque Measurements

To maintain the IP rating when reassembling the product, use the given torque measurements for each of the following screws and bolts:

Fixture Parts	Torque Rating (Kgf.cm)	Torque Rating (lbf.in)
Connectors	4	3.47184
Fuse	12	10.41552
Power block, power box and side covers, trim strip	8	6.94368

Vacuum Test Measurements

Use the IP Tester from Chauvet Professional to ensure the product has been reassembled correctly by following the information below:

Parameters	Values
Method	Positive
Test pressure	40 kPa
Test duration	60 seconds
PASS state leak pressure	0.5 kPa

6. Technical Specifications

Dimensions and Weight

Length	Width	Height	Weight
69.61 in (1768 mm)	7.87 in (200 mm)	8.36 in (212.4 mm)	49.0 lb (22.3 kg)

Note: Dimensions in inches are rounded.

Power

Power Supply Type	Range	Voltage Selection
Switching (internal)	100 to 240 VAC, 50/60 Hz	Auto-ranging

Parameter	100 V, 60 Hz	120 V, 60 Hz	208 V, 60 Hz	230 V, 50 Hz	240 V, 50 Hz
Consumption	558 W	555 W	542 W	542 W	543 W
Operating Current	5.61 A	4.62 A	2.62 A	2.37 A	2.28 A
Power linking current (products)	12 A (2 products)	12 A (2 products)	12 A (4 products)	12 A (5 products)	12 A (5 products)

Power I/O	U.S./Worldwide	UK/Europe
Power Input Connectors	Seetronic Powerkon IP65	Seetronic Powerkon IP65
Power Output Connector	Seetronic Powerkon IP65	Seetronic Powerkon IP65
Power Cable plug	Edison	Local plug

Light Source

Type	Color	Quantity
LED Engine	RGBWwL	24

Photometrics

Color Temp. Range	Color Temp. at Full	CRI (2800K)
2800 to 8000 K	9167 K	95

Optics	Beam angle	Field angle	Illuminance @ 5 m
Clear Protective Filter	16.7°	36.1°	5,834 lux
CYC Filter	40.7°	84.4°	1,739 lux
50/50 Filter	18.9°	46.8°	3,788 lux
Stealth Filter	25.0°	61.2°	932 lux

Thermal

Maximum External Temperature	Cooling System
113 °F (45 °C)	Fan-Assisted Convection

Control

DMX I/O Connector	Art-Net™/sACN I/O Connector	Channel Range
5-pin XLR, Wireless CRMX™	Seetronic Etherkon	1 Cell: 4, 4, 3, 4, 5, 10, 10, 11, 12, 19, 4, or 9 2 Cell: 7, 7, 6, 8, 10, 20, 17, 19, 21, 35, 7, or 17 4 Cell: 13, 13, 12, 16, 20, 40, 31, 35, 39, 67, 13, or 33 6 Cell: 19, 19, 18, 24, 30, 60, 45, 51, 57, 99, 19, or 49 8 Cell: 25, 25, 24, 32, 40, 80, 59, 67, 75, 131, 25, or 65 12 Cell: 37, 37, 36, 48, 60, 120, 87, 99, 111, 195, 37, or 97 24 Cell: 73, 73, 72, 96, 120, 240, 171, 195, 219, 387, 73, or 193

Ordering

Product Name	Item Name	Item Code	UPC Number
COLORado Solo Bar 6	COLORADOSOLOBAR6	03032279	781462226275



UL 1573
CSA C22.2 No. 166
E113093



RoHS



Contact Us

General Information	Technical Support
Chauvet World Headquarters	
Address: 3360 Davie Rd., Suite 509 Davie, FL 33314 Voice: (954) 577-4455 Fax: (954) 929-5560 Toll Free: (800) 762-1084	Voice: (844) 393-7575 Fax: (954) 756-8015 Email: chauvetcs@chauvetlighting.com Website: www.chauvetprofessional.com
Chauvet U.K.	
Address: Pod 1 EVO Park Little Oak Drive, Sherwood Park Nottinghamshire, NG15 0EB UK Voice: +44 (0) 1773 511115 Fax: +44 (0) 1773 511110	Email: UKtech@chauvetlighting.eu Website: www.chauvetprofessional.eu
Chauvet Benelux	
Address: Stokstraat 18 9770 Kruishoutem Belgium Voice: +32 9 388 93 97	Email: BNLtech@chauvetlighting.eu Website: www.chauvetprofessional.eu
Chauvet France	
Address: 3, Rue Ampère 91380 Chilly-Mazarin France Voice: +33 1 78 85 33 59	Email: FRtech@chauvetlighting.fr Website: www.chauvetprofessional.eu
Chauvet Germany	
Address: Bruno-Bürgel-Str. 11 28759 Bremen Germany Voice: +49 421 62 60 20	Email: DEtech@chauvetlighting.de Website: www.chauvetprofessional.eu
Chauvet Mexico	
Address: Av. de las Partidas 34 - 3B (Entrance by Calle 2) Zona Industrial Lerma Lerma, Edo. de México, CP 52000 Voice: +52 (728) 690-2010	Email: servicio@chauvet.com.mx Website: www.chauvetprofessional.mx

Warranty & Returns

For warranty terms and conditions and return information, please visit our website.

For customers in the United States and Mexico: www.chauvetlighting.com/warranty-registration.

For customers in the United Kingdom, Republic of Ireland, Belgium, the Netherlands, Luxembourg, France, and Germany: www.chauvetlighting.eu/warranty-registration.