

## CX-07S



## CX-08S



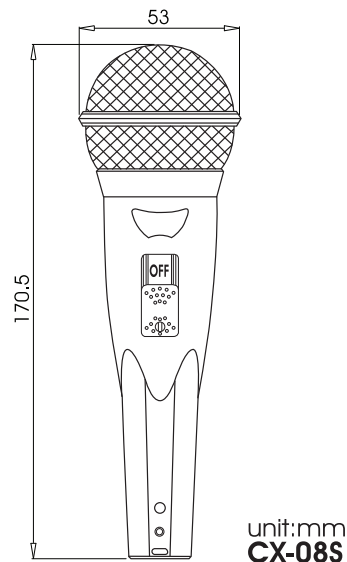
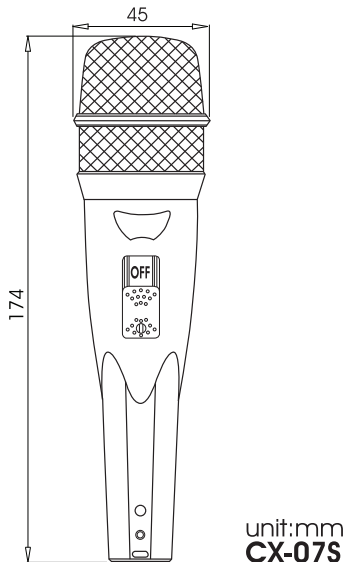
### CX-07S Professional Multipurpose Microphone

This heavy duty microphone provides excellent sound reproduction. It delivers optimal warmth and clarity, that make it a ideal professional microphone for vocal, drums and other instruments.

### CX-08S Vocal Performance Microphone

The CX-08S is especially designed for vocal sound reproduction. It features extended frequency response and wide dynamic range for clear and smooth sound delivery. This heavy duty microphone provides great confidence for singers.

#### Dimension:



#### Features:

- Outstanding pick-up pattern offers excellent isolation and sound presentation.
- The wide dynamic range and frequency response allow accurate sound reproduction.
- The non-round shape design prevents damage from tumbling.
- The magnetic reed switch with locking features silent operation and keeps it from miss-function.
- Special shock-mount design can suppress handling noise effectively.

#### Specification:

Type: Moving Coil Dynamic

Polar Pattern: Cardioid

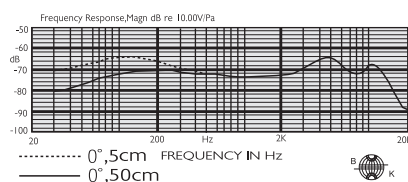
Frequency Response: 50~16,500 Hz

Sensitivity(at 1,000Hz): -72dB(0.25mV)

Impedance: 600Ω ± 30%

Net Weight: CX-07S / 245 grams(8.64 oz) CX-08S / 250 grams(8.82 oz)

#### Frequency Response:



#### Polar Pattern:

