

# ■ CIMA Line 16



THE APIA CIMA LINE16  
IS A WEATHERPROOF PASSIVE  
SPEAKER SYSTEM, COMPRISED OF 2"  
NEODYMIUM MAGNET TRANSDUCERS  
HOUSED IN AN ELEGANT ALUMINUM  
CASING PAINTED WITH THE ROBUST  
ELECTROSTATIC POWDER PAINTING  
SYSTEM AND AVAILABLE IN CUSTOM  
RAL COLORS.

## SYSTEM DATA

### ■ USABLE BANDWIDTH

Frequency response (-5 dB standard)	150 Hz - 19 kHz
Max. sound pressure (1m, free field)	130 dB SPL

### ■ LOUDSPEAKER DATA

Nominal impedance	8 Ohm– 32 Ohm (Selectable)
Power handling capacity (RMS/peak 10 ms)	320/1280W
Nominal dispersion angle (V)	7°- 30° (selectable)
Nominal dispersion angle (H)	90°

### ■ COMPONENTS

16 x 2" Neodymium magnet with 0.75" voice coil  
CiwI Sub, CiwI Infra or QDX-13 amplifier network

### ■ PHYSICAL DATA

Connections	2 x NL4 or
Finish	Fir-green RAL 6009® Polyurea coating
Cabinet	Extruded aluminum
Rigging	CM-BASE / CM-FLY / CM-FOOT / CM-JOINT / CM-WALL
Protection Rating	IP 45
Dimensions (H x W x D)	1004 x 61 x 70 mm 39.5 x 2.4 x 2.7"
Weight:	4.4 kg 13 lb

\* SPL max peak test signal: pink noise with crest factor 4

THE CIMI LINE16'S CLOSELY SPACED CONE DRIVERS PROVIDE PHASE COHERENCE WITH LOW DISTORTION.

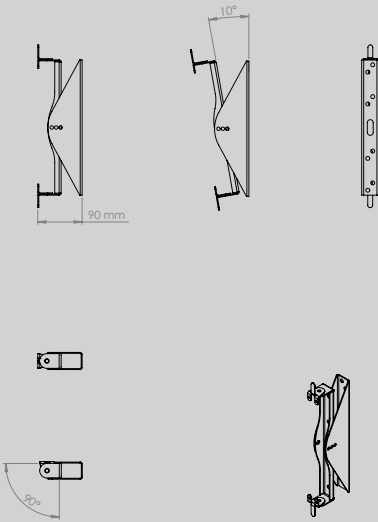
TO ACCOMMODATE A RANGE OF APPLICATIONS, THE VERTICAL DISPERSION PATTERN CAN BE SWITCHED FOR EITHER WIDE OR NARROW COVERAGE (7° OR 30°).

THE OPTIONAL RIGGING AND LINKING ACCESSORIES ALLOW FOR MULTIPLE SPEAKERS TO BE INTERCONNECTED, CREATING A WIDE ARRAY OF VERTICAL AND HORIZONTAL CONFIGURATIONS FOR TEMPORARY OR PERMANENT INSTALLATION.

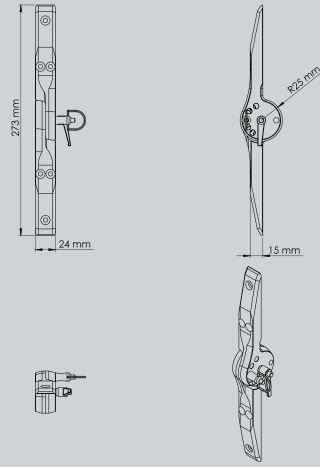
FOR INTEGRATION WITH OTHER SPEAKERS OR AMPLIFIERS, THE CIMI LINE16 OFFERS SELECTABLE IMPEDANCE (8Ω / 32Ω). SET TO 32Ω, UP TO SIXTEEN CIMI LINE16 SPEAKERS CAN BE POWERED VIA A SINGLE AMPLIFIER CHANNEL, SIMPLIFYING INSTALLATION OF WIDER DISTRIBUTED INSTALLED SYSTEM.



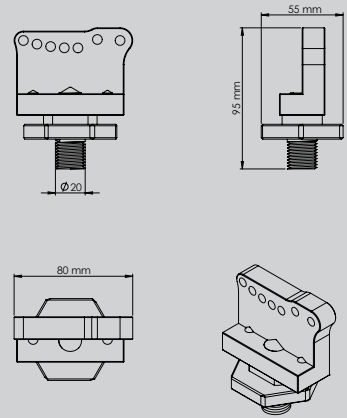
# ACCESSORIES



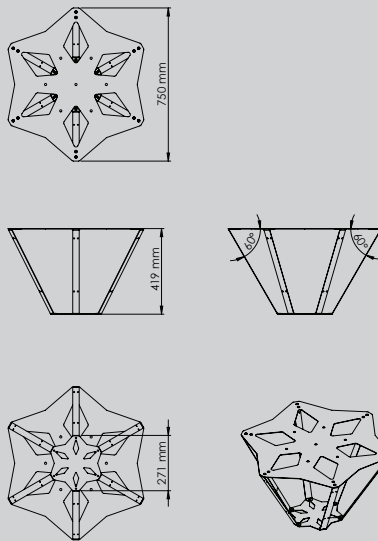
CM WALL H v



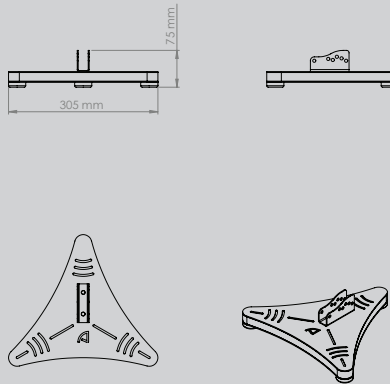
CM JOINT



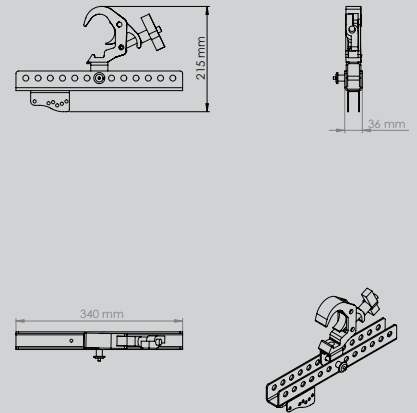
CW FOOT



CM 360 M

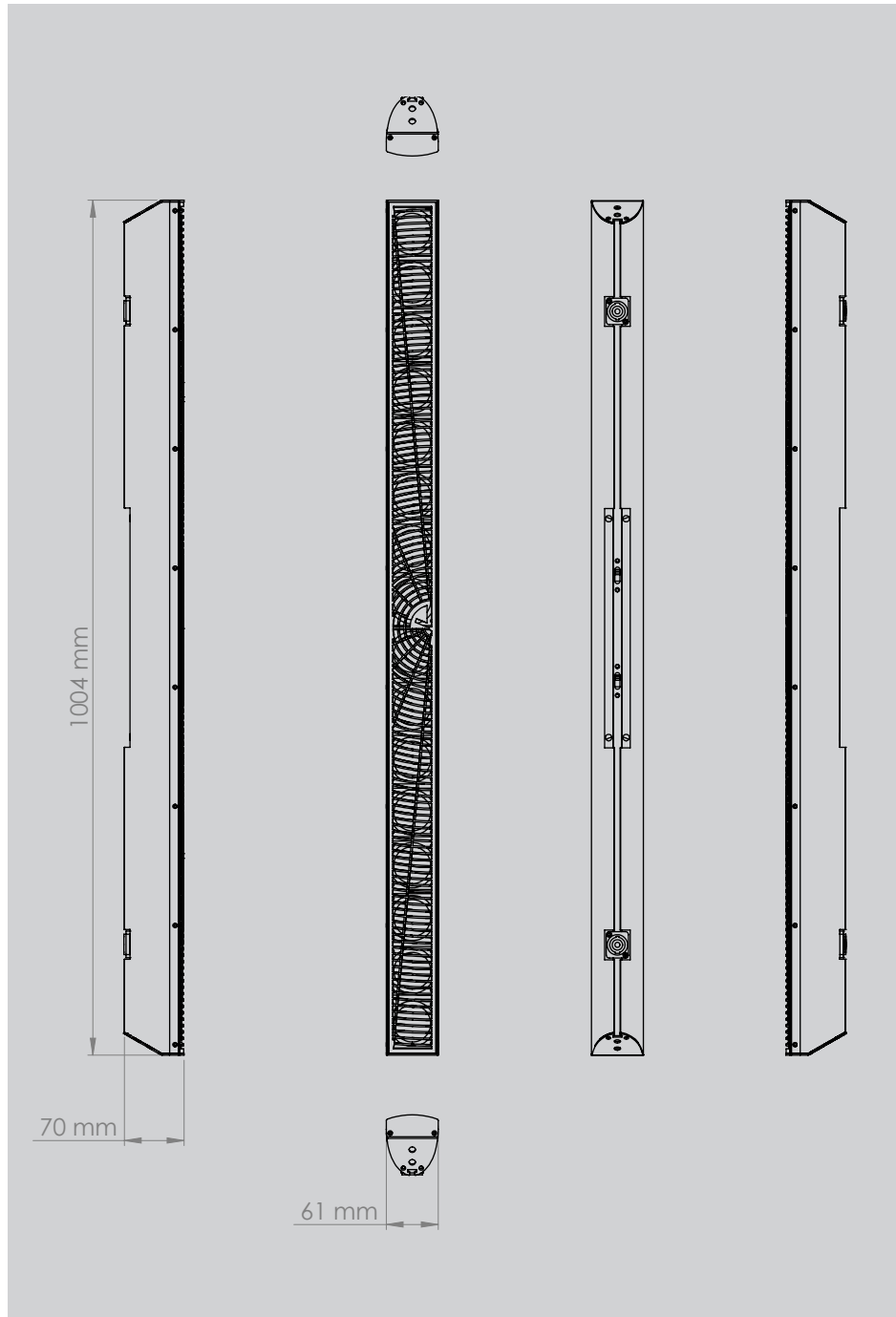


CM BASE

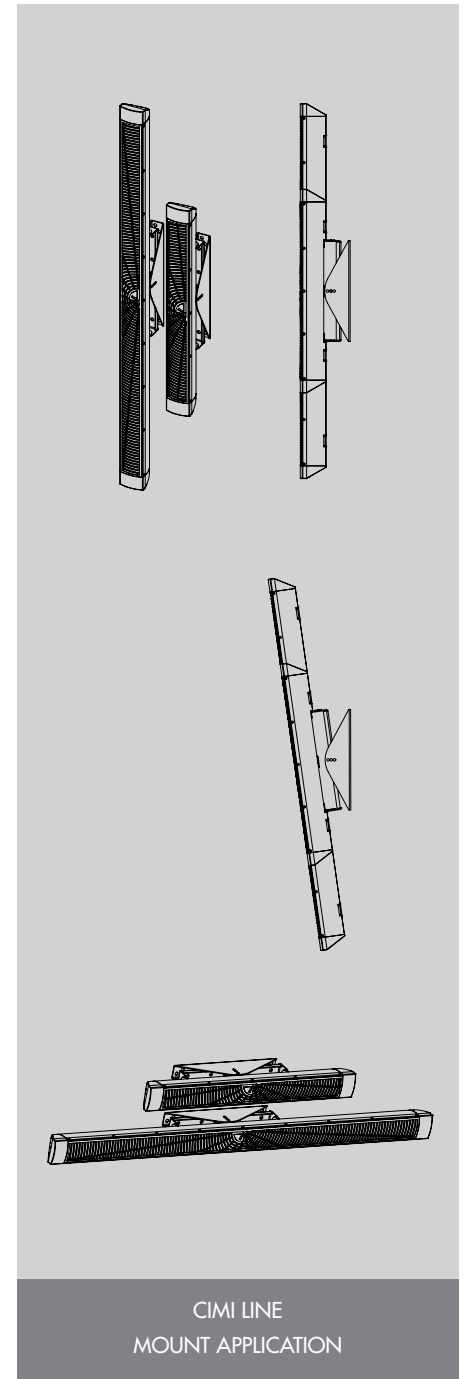


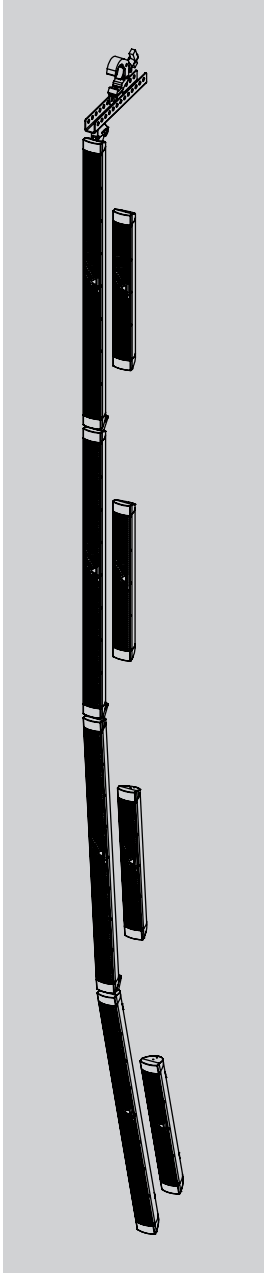
CM FLY

## TECHNICAL VIEWS

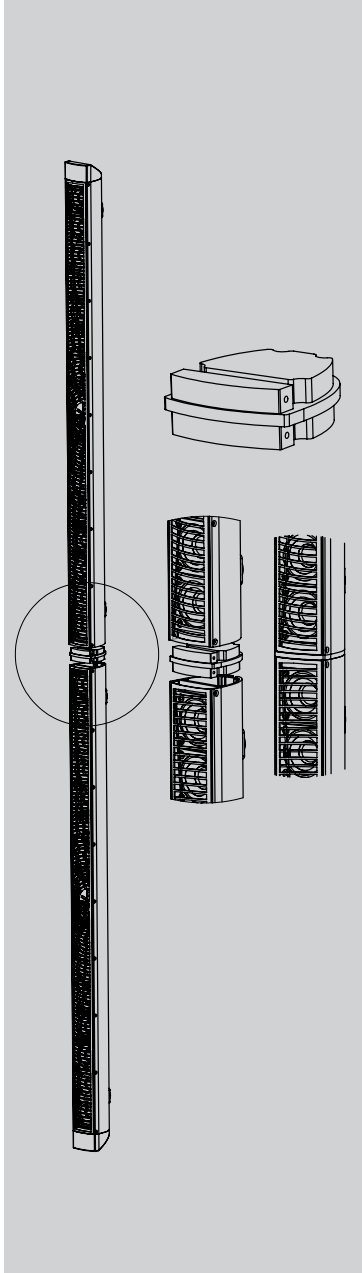


## RIGGING

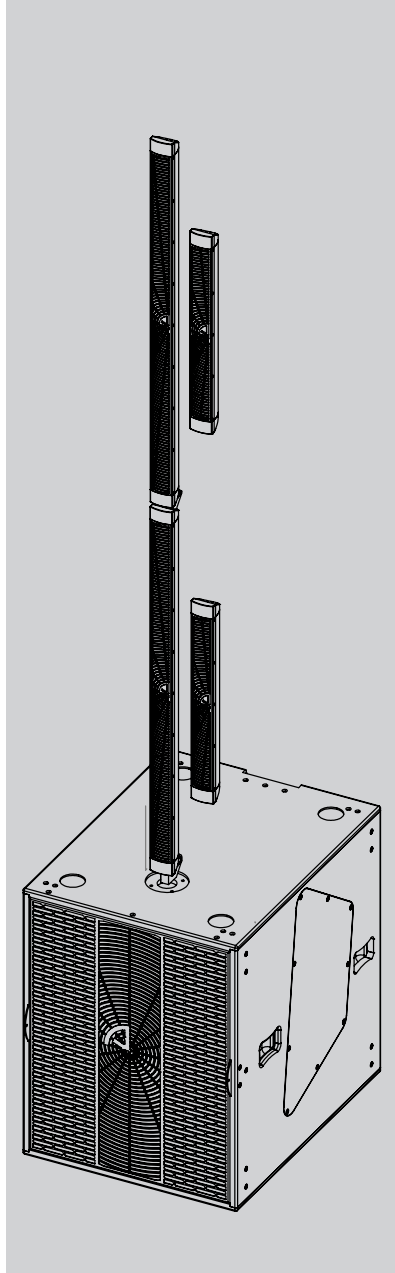




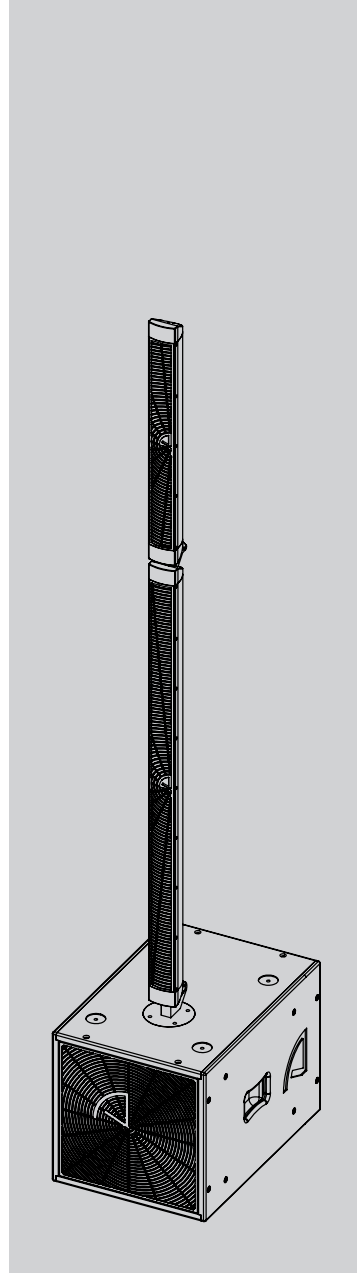
CIMI LINE  
RIGGING APPLICATION



CIMI LINE  
STRAIGHT STACK APPLICATION



CIMI LINE  
GROUND STACK SYSTEM



CIMI LINE  
GROUND STACK C-SUB SYSTEM