

CIMI Line 8



THE AP1A CIMI LINE8 ARE WEATHERPROOF PASSIVE SPEAKER SYSTEMS, COMPRISED OF 2" NEODYMIUM MAGNET TRANSDUCERS HOUSED IN AN ELEGANT ALUMINUM CASING PAINTED WITH THE ROBUST ELECTROSTATIC POWDER PAINTING SYSTEM WHICH ARE AVAILABLE IN CUSTOM RAL COLORS.

THE CIMI LINE8'S CLOSELY SPACED CONE DRIVERS PROVIDE PHASE COHERENCE WITH LOW DISTORTION TO ACCOMMODATE A RANGE OF APPLICATIONS, THE VERTICAL DISPERSION PATTERN CAN BE SWITCHED FOR EITHER WIDE OR NARROW COVERAGE (7° OR 30°).

SYSTEM DATA

■ USABLE BANDWIDTH

Frequency response (-5 dB standard)	150 Hz - 19 kHz
Max. sound pressure (1 m, free field)	124 dB SPL

■ LOUDSPEAKER DATA

Nominal impedance	16 Ohm- 64 Ohm (Selectable)
Power handling capacity (RMS/peak 10 ms)	160/640W
Nominal dispersion angle (V)	7°- 30° (selectable)
Nominal dispersion angle (H)	90°

■ COMPONENTS

8 x 2" Neodymium magnet with 0.75" voice coil
Ciw Sub, Ciwi Infra or QDX-13 amplifier network

■ PHYSICAL DATA

Connections	2 x NL4 or
Finish	Fir-green RAL 6009® Polyurea coating
Cabinet	Extruded aluminum
Rigging	CM-BASE / CM-FLY / CM-FOOT / CM-JOINT / CM-WALL
Protection Rating	IP 45
Dimensions (H x W x D)	504 x 61 x 70 mm 19.8 x 2.4 x 2.7"
Weight:	2.2 kg 6,6 lb

* SPL max peak test signal: pink noise with crest factor 4

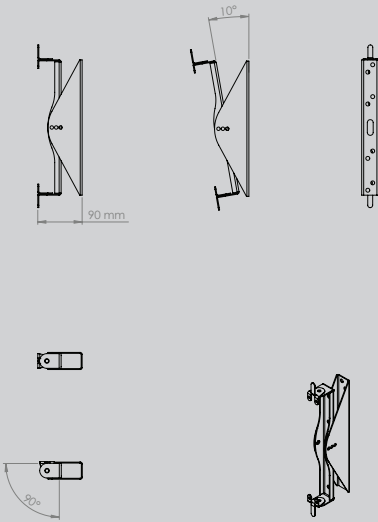
THE OPTIONAL RIGGING AND LINKING ACCESSORIES ALLOW MULTIPLE SPEAKERS TO BE INTERCONNECTED, CREATING A WIDE ARRAY OF VERTICAL AND HORIZONTAL CONFIGURATIONS FOR TEMPORARY OR PERMANENT INSTALLATION.

FOR INTEGRATION WITH OTHER SPEAKERS OR AMPLIFIERS, THE CIMI LINE8 OFFERS SELECTABLE IMPEDANCE (16Ω / 64Ω). SET TO 64Ω, UP TO THIRTY TWO CIMI LINE8 SPEAKERS CAN BE POWERED VIA A SINGLE

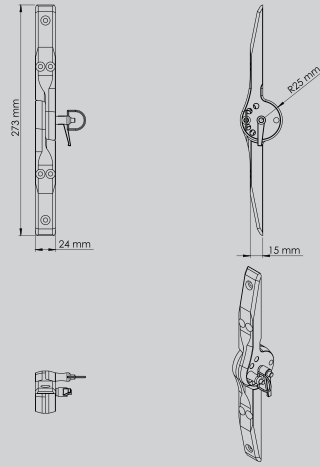
AMPLIFIER CHANNEL SIMPLIFYING INSTALLATION OF A WIDER DISTRIBUTED INSTALLED SYSTEM.



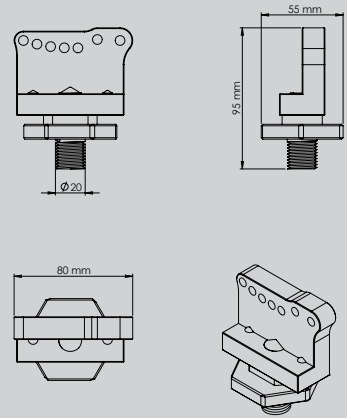
ACCESSORIES



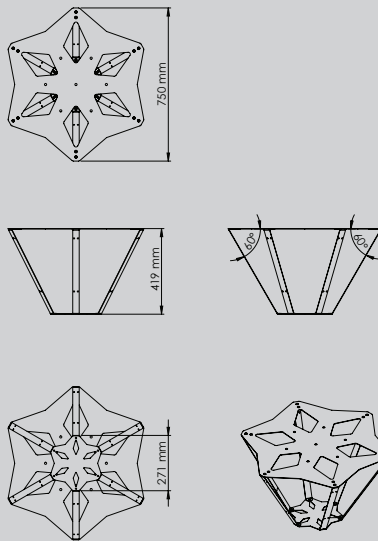
CM WALL H v



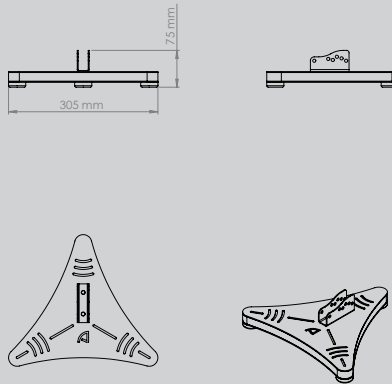
CM JOINT



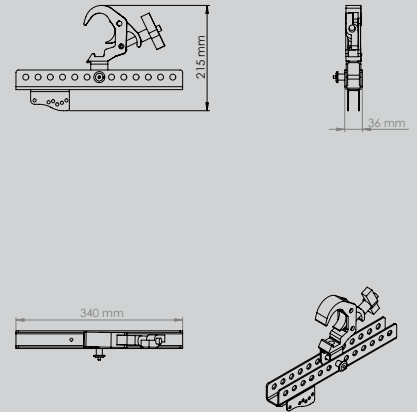
CW FOOT



CM 360 M

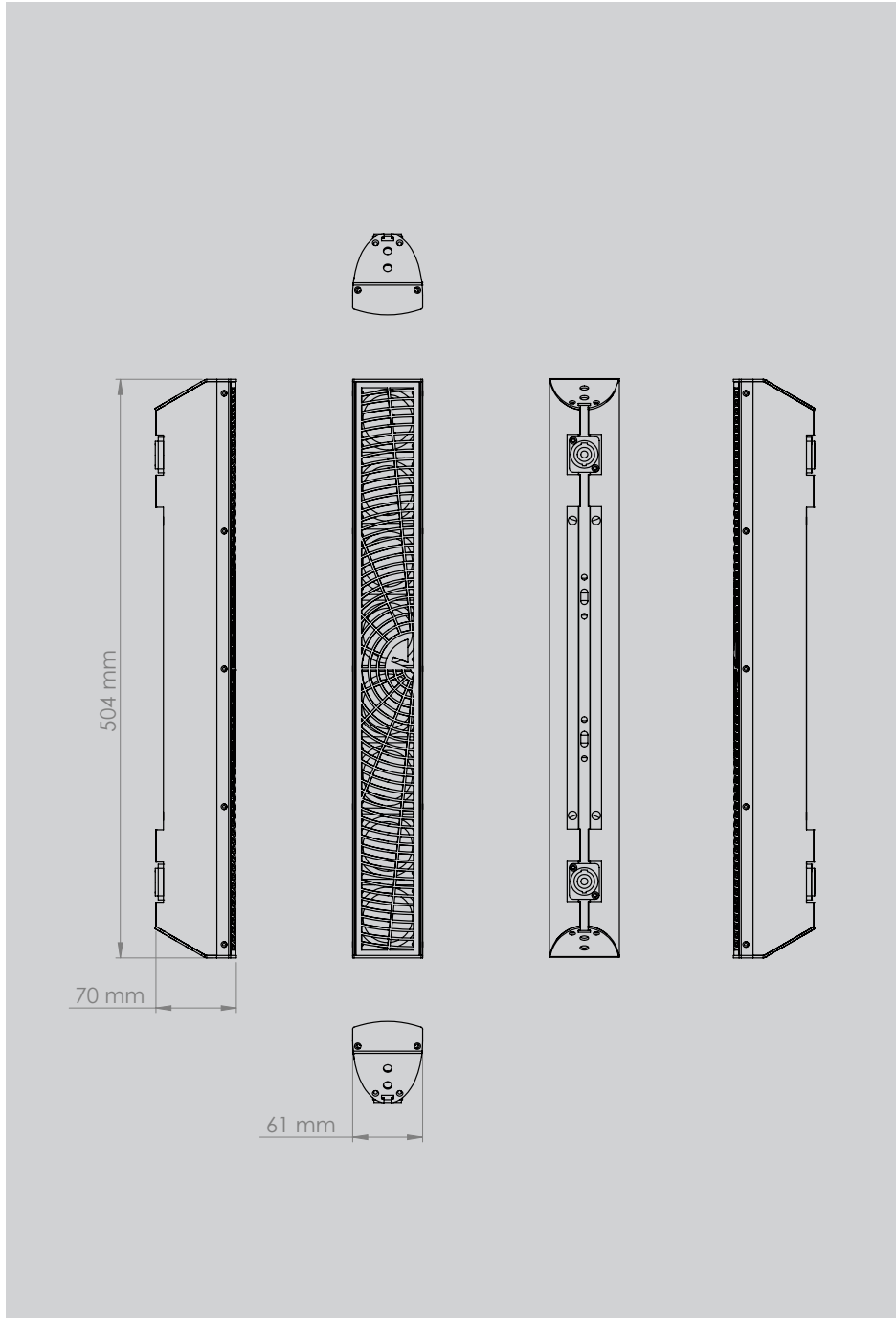


CM BASE

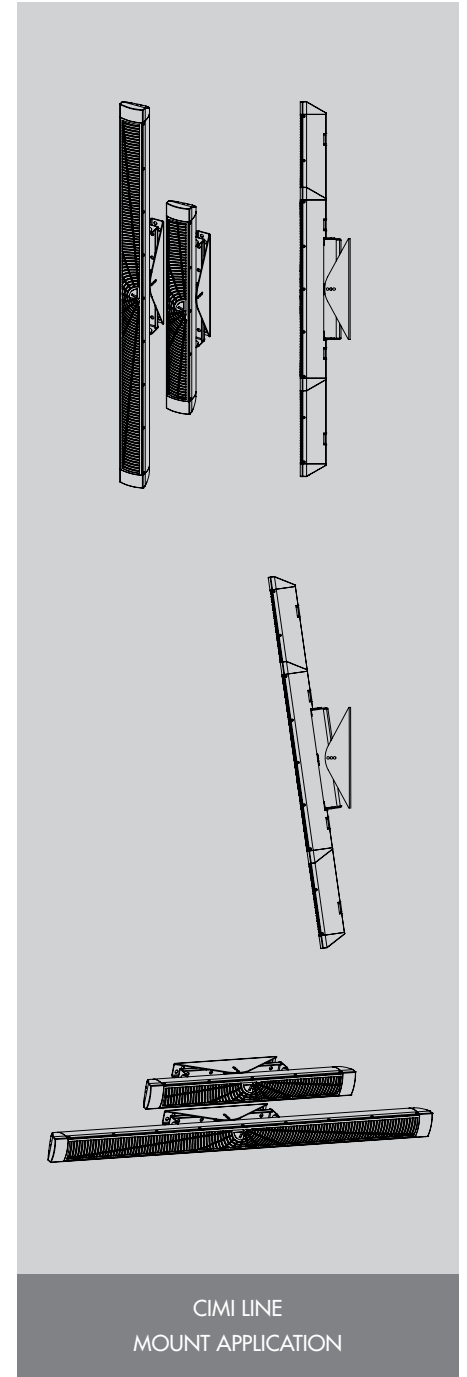


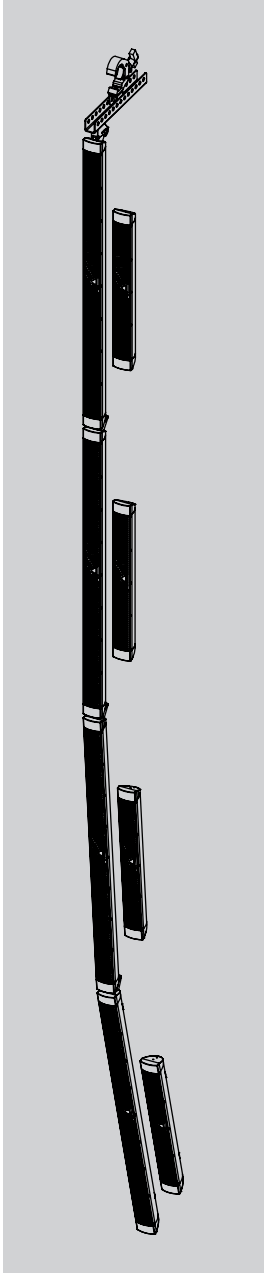
CM FLY

TECHNICAL VIEWS

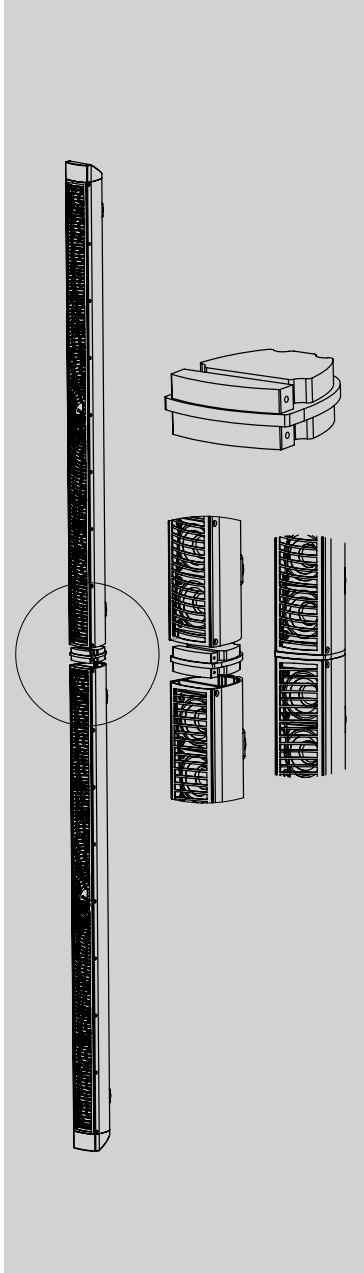


RIGGING

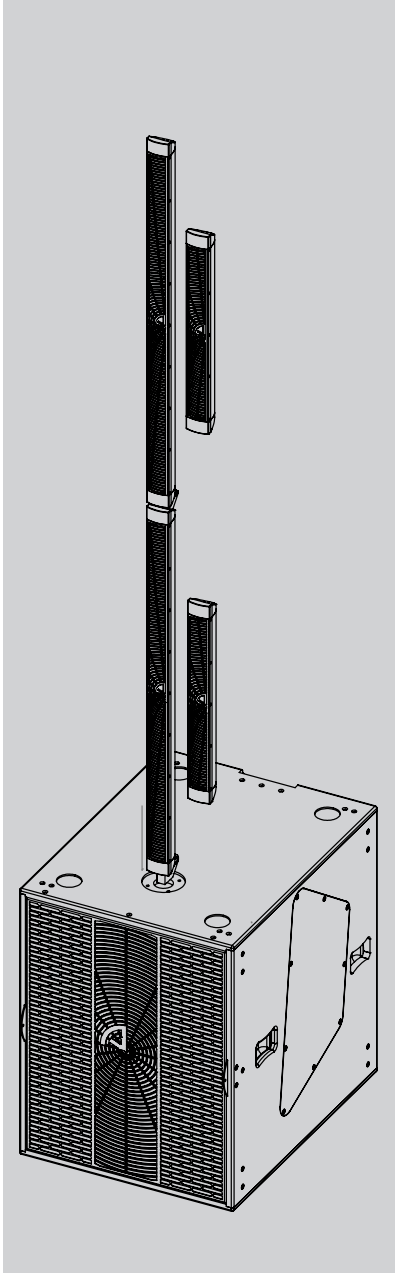




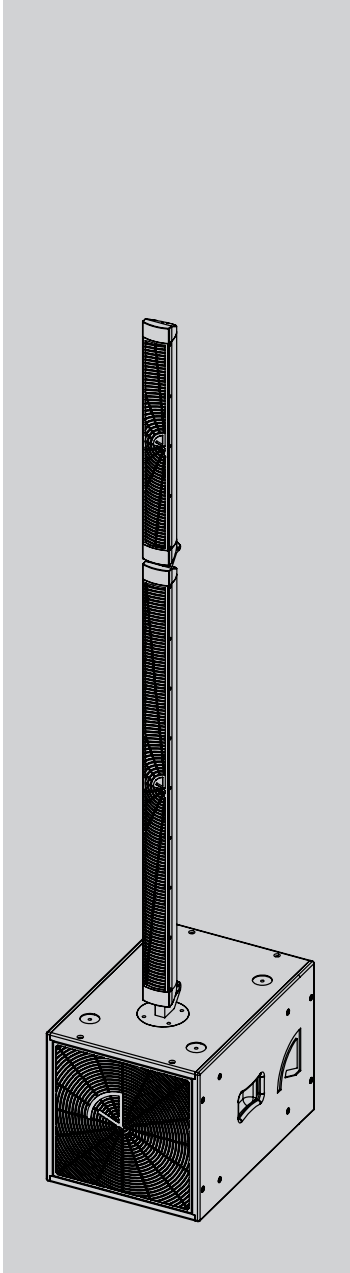
CIMI LINE
RIGGING APPLICATION



CIMI LINE
STRAIGHT STACK APPLICATION



CIMI LINE
GROUND STACK SYSTEM



CIMI LINE
GROUND STACK C-SUB SYSTEM