

INFINITE 14

HIGH-PERFORMANCE HOME CINEMA SPEAKER



elipson
ARCHITECT



DEDICATED TO THE CINEMA

The new Elipson Infinite home cinema range is composed of two types of in-wall/in-ceiling and free-standing speakers. Made for dedicated screening rooms, our designers and acousticians have applied their expertise to offer breathtaking sound and a sleek design. The shallow cabinet is easy to install and fits discreetly in-wall or in-ceiling.

This speaker system benefits from the full amount of dynamism required to enjoy professional cinema sound, thus guaranteeing a sound quality never before available for home cinema installations.

The technology housed inside the cabinets, the Rohacell® and carbon fiber cones, as well as the size of the magnets, all allow these speakers incredible sound performance that will create the magic of cinema in your room.

The black satin and brushed metal finish, in addition to being highly alluring, is also functional as it doesn't alter the image when the speakers are covered by an acoustically transparent screen.

The Infinite 14 are designed to be used as front and surround speakers to ensure perfect homogeneity in your viewing room. The Infinite 8 is designed to be used as a surround speaker in small rooms, or as an in-ceiling speaker for a fully immersive experience. The Infinite S12 are powerful passive woofers housed in slim cabinets and are a perfect complement to the Infinite 14.

Truly dynamic cinema sound, available at last for your dedicated viewing room, thanks to Elipson's team of experts!



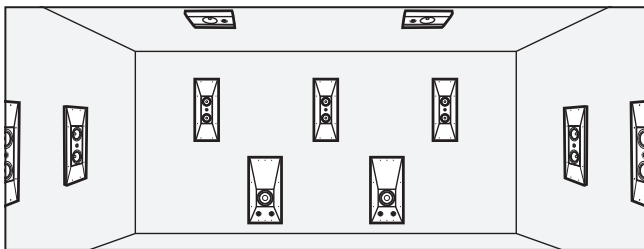
INFINITE 14

HIGH-PERFORMANCE HOME CINEMA SPEAKER

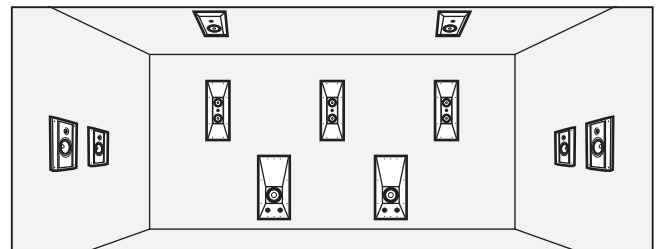
POSSIBLE SETUPS



5.2.4 system

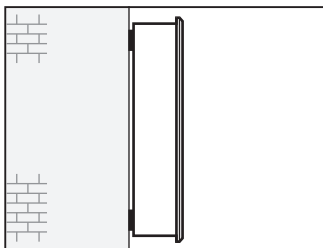


Infinite 14 for all channels (except Atmos)
Recommended installation for large rooms.

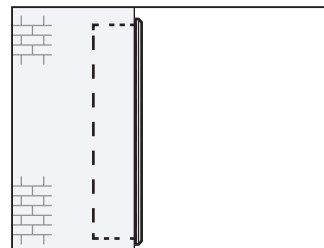


Infinite 8 & Infinite 14
Infinite 8 speakers for surround and Atmos channels, Infinite 14 for front and centre channels.

INSTALLATION



On-wall mounting
The loudspeakers are mounted on either a wall or a ceiling.



In-wall mounting
The loudspeakers are recessed in a thin material wall, such as gypsum plasterboard.

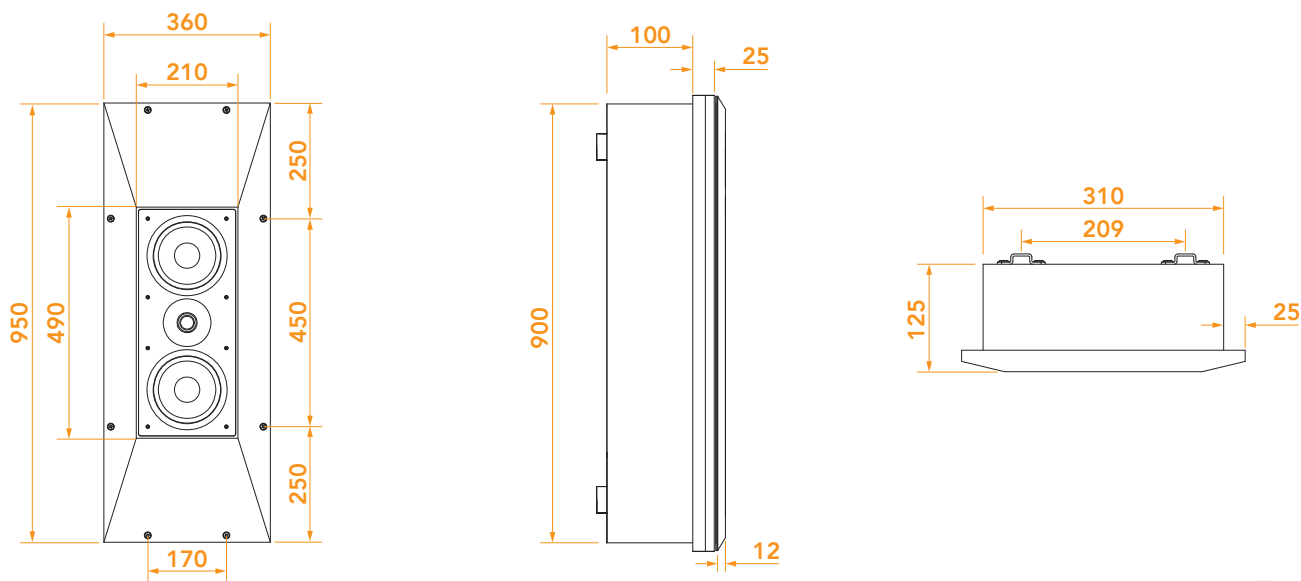


elipson
ARCHITECT

INFINITE 14

HIGH-PERFORMANCE HOME CINEMA SPEAKER

SPECIFICATIONS



Measurements in millimetres

Type	Front/centre/surround 2-way sealed speaker In/on-wall
Power	150W RMS / 300W peak
Drive units	<p>Tweeter : 1.15" Ring type dome Minimizes membrane resonances at high frequencies, controlled motor saturations for low distortion.</p> <p>Mid-bass : 2x6.5" Rohacell®/carbon fiber sandwich - Optimizes the stiffness/damping ratio, rubber suspension with low damping to improve the transient response performance.</p>
Frequency response	60 Hz - 30 kHz
Sensitivity	91 dB/1W/1m
Impedance	8 Ohms (4 Ohms minimum)
Inputs	SpeakOn, banana plugs

Installation	In-wall On-wall
Finish	Satin Aluminium front panel
Colour	Black
Dimensions (without grill)	W360 x H950 x D125 mm
Dimensions (with grill)	W360 x H950 x D138 mm
Cut-out dimensions	W310 x H900 mm
Recessed depth	112 mm / 100 mm (with/without brackets)
Weight	18 kg
Packaging (unit)	Brown cardboard
Dimensions	L1065 x W475 x H250 mm
Weight	20 kg

REFERENCES



● **BLACK**

EAN (unit) : 3700795190920
SKU : ELIINF14BK



INFINITE

HIGH PERFORMANCE HOME CINEMA SPEAKER RANGE



High performance loudspeakers

Dynamics, clear timbres
and increased sound
image



High pressure resistant cabinet

Reinforced internal
structure,
high end acoustic
damping to avoid
resonances of high
power cabinets



On-wall installation

On-wall or ceiling
mounting
(hooks on the rear)



In-wall installation

In-wall or ceiling
recessing



Black satin finish and black brushed aluminium front panel

Sober and discreet,
to blend perfectly
into the decor of your
dedicated room



INFINITE 8
Surround, front or
centre speaker



INFINITE 14
Front, centre or
surround speaker



INFINITE S12
Passive subwoofer