

*Gig***BAR** MOVE + ILS

User Manual - EU Version

English
Español
Français
Deutsch
Nederlands



LASER LIGHT
AVOID DIRECT EYE EXPOSURE
CLASS 3R LASER PRODUCT
CLASSIFIED PER EN/IEC 60825-1: 2014
Complies with FDA performance standards for
laser products except for deviations pursuant
to Laser Notice No. 56, dated May 8, 2019.




CHAUVET **3**

TABLE OF CONTENTS

1. Before You Begin	12
What Is Included	12
Unpacking Instructions	12
Text Conventions	12
Symbols	12
Disclaimer	13
FCC Compliance	13
Intellectual Property	13
Safety Notes	14
Laser Safety Notes	15
Laser Safety Label Reproduction	16
Laser Emission Data	16
Laser Compliance Statement	16
2. Introduction	17
Product Overview	17
Product Dimensions	18
3. Setup	19
AC Power	19
Fuse Replacement	19
Power Linking	19
ILS Connection	19
Mounting	20
Orientation	20
Rigging	20
Proper Usage	20
4. Operation	21
Control Panel Operation	21
Menu Map	21
Configuration (Standalone)	24
Automatic Mixed Effect Mode	24
Sound-Active Mixed Effect Mode	24
Sound Sensitivity	24
Dimmer	24
Strobe	25
Program Time	25
Pars Color	25
Spot Speed	25
Sound Lost	25
Pan Reverse	26
Tilt Reverse	26
Pan Range	26
Tilt Range	26
Factory Reset	26
Configuration (DMX)	27
DMX Channel Assignments and Values	28
Gobos	28
52 Channels	28
30 Channels	32
3 Channels	34
Wireless Footswitch	35
Footswitch Operation	35
GigBAR RF Remote Control	36
GigBAR RF Remote Operation	36
Master/Slave Mode	38
5. Maintenance	39
Product Maintenance	39
6. Technical Specifications	40
Contact Us	42
Warranty & Returns	42

TABLA DE CONTENIDO

1. Antes de Empezar	43
Qué va Incluido	43
Instrucciones de Desembalaje	43
Convenciones del Manual	43
Símbolos	43
Exención de responsabilidad	44
Cumplimiento de la FCC	44
Propiedad intelectual	44
Notas de Seguridad	45
Notas de Seguridad sobre Láser	46
Reproducción de la Etiqueta de Seguridad del Láser	47
Datos de Emisión Láser	47
Declaración de Conformidad Láser	47
2. Introducción	48
Vista general del producto	48
Dimensiones del producto	49
3. Instalación	50
Corriente alterna	50
Sustitución del fusible	50
Alimentación en cadena	50
Conexión ILS	51
Montaje	51
Orientación	51
Colocación	51
Uso Adecuado	52
4. Funcionamiento	53
Funcionamiento del panel de control	53
Mapa de menú	53
Configuración (Independiente)	57
Modo Efecto Mezclado Automático	57
Modo Efecto Mezclado de Sonido Activo por Sonido	57
Sensibilidad al sonido	57
Atenuador	57
Estroboscopio	58
Tiempo de programa	58
Colores de pars	58
Velocidad puntual	58
Pérdida de sonido	58
Paneo inverso	59
Inclinación inversa	59
Rango de paneo	59
Rango de inclinación	59
Restablecimiento de fábrica	59
Configuración (DMX)	60
Dirección de inicio	60
Valores y asignaciones de canal DMX	61
Gobos	61
52 canales	61
30 canales	65
3 canales	67
Funcionamiento del Conmutador de Pie	68
Control remoto RF	69
Funcionamiento de control remoto RF	69
Modo Maestro/Esclavo	71
5. Mantenimiento	72
Mantenimiento del producto	72
6. Especificaciones Técnicas	73
Contacto	75
Garantía y devoluciones	75

TABLE DES MATIÈRES

1. Avant de Commencer	76
Ce Qui Est Compris	76
Instructions Relatives au Déballage	76
Conventions manuelles	76
Symboles	76
Clause de Non-Responsabilité.....	77
Conformité FCC	77
Propriété intellectuelle	77
Consignes de Sécurité	78
Consignes de Sécurité Relatives au Laser	79
Reproduction de l'Étiquette de Sécurité Laser	80
Données d'émission laser	80
Déclaration de Conformité Laser	80
2. Introduction	81
Vue d'ensemble du produit	81
Dimensions du produit	82
3. Configuration	83
Alimentation CA	83
Remplacement des fusibles	83
Connexion électrique	83
Connexion ILS.....	84
Installation	84
Orientation.....	84
Suspension	84
Utilisation Adéquate	85
4. Fonctionnement	86
Fonctionnement du Panneau de Commande	86
Plan du menu	86
Configuration (Autonome)	90
Mode effet mélangé automatique.....	90
Mode effet mélangé activé par le son	90
Sensibilité sonore.....	90
Dimmer.....	90
Stroboscope	91
L'heure du programme.....	91
Couleurs de pars.....	91
Vitesse du spot.....	91
Perte de son.....	91
Panoramique inversé	92
Tilt inversé.....	92
Plage de pan	92
Plage de tilt	92
Réinitialisation des paramètres d'usine.....	92
Configuration (DMX)	93
Adresse de départ.....	93
Affectation de canaux DMX et valeurs	94
Gobos.....	94
52 canaux.....	94
30 canaux.....	98
3 canaux.....	100
Utilisation de la pédale sans fil.....	101
RF télécommande	101
Fonctionnement de la télécommande RF	102
Mode maître/esclave	104
5. Entretien	105
Entretien de l'appareil	105
6. Spécificités Techniques	106
7. Nous Contacter	108
Garantie et retours	108

INHALTSVERZEICHNIS

1. Erste Schritte	109
Packungsinhalt	109
Anweisungen für das Auspacken	109
Konventionen des Handbuchs	109
Symbole	109
Haftungsausschluss	110
FCC-Konformität	110
Geistiges Eigentum	110
Sicherheitshinweise	111
Hinweise zur Lasersicherheit	112
Warn- und Sicherheitsschilder auf dem Lasergerät	113
Laseremissionsdaten	113
Laser-Konformitätserklärung	113
2. Einleitung	114
Produktüberblick	114
Produktabmessungen	115
3. Einrichten des Geräts	116
Wechselstrom	116
Auswechseln der Sicherung	116
Reihenschaltung der Geräte	116
ILS-Anschluss	116
Montage	117
Montagerichtung	117
Hängende Montage	117
Bestimmungsgemäße Verwendung	117
4. Betrieb	118
Betrieb des Bedienfeldes	118
Menüstruktur	118
Konfiguration (Einzelplatzmodus)	122
Automatische-Modus	122
Musiksteuerungs-Modus	122
Klangempfindlichkeit	122
Dimmer	123
Stroboskop	123
Programmzeit	123
Pars-Farben	123
Spot-Geschwindigkeit	123
Tonausfall	124
Schwenken umgekehrt	124
Neigen umgekehrt	124
Schwenkbereich	124
Neigungsbereich	125
Zurücksetzen auf Werkseinstellungen	125
Konfiguration (DMX)	125
Startadresse	125
DMX-Kanal – Zuordnungen und Werte	126
Gobos	126
52-Kanal	126
30-Kanal	130
3-Kanal	132
Betrieb mit drahtlosem Fußschalter	133
GigBAR Funkfernbedienung	133
Bedienung der GigBAR RF-Fernbedienung	134
Master/Slave-Modus	136
5. Wartung	137
Wartung des Geräts	137
6. Technische Daten	138
Kontaktiere Uns	140
Garantie und Reklamationen	140

INHOUDSOPGAVE

1. Voordat tu begint.....	141
Wat is er inbegrepen	141
Uitpakinstructies	141
Tekstconventies	141
Symbolen	141
Disclaimer	142
FCC-naleving	142
Intellectueel eigendom	142
Veiligheidsinstructies.....	143
Veiligheidsinstructies voor de laser.....	144
Reproductie van veiligheidsetiket voor de laser.....	145
Emissiegegevens van de laser	145
Nalevingsverklaring van de laser	145
2. Inleiding.....	146
Productoverzicht	146
Productafmetingen	147
3. Instelling.....	148
AC-stroom	148
Vervangen van de zekering	148
Power Linking.....	148
ILS Aansluiting	148
Montage	149
Oriëntatie.....	149
Opbouw.....	149
Correct gebruik.....	149
4. Werking	150
Werking van het bedieningspaneel	150
Menu Map	150
Configuratie (zelfstandig)	153
Automatisch gemengd effect stand	153
Geluidsactieve modus.....	153
Geluidsgevoeligheid.....	153
Dimmer.....	154
Stroboscoop	154
Programmatijd.....	154
Pars kleuren	154
Spotsnelheid	154
Sound Lost	155
Pannen omkeren.....	155
Kantelen omkeren	155
Panbereik	155
Kantelbereik	155
Fabrieksinstellingen	156
Configuratie (DMX)	156
Startadres.....	156
DMX-kanaaltoewijzingen en waarden.....	157
Gobos.....	157
52-kanaals.....	157
30-kanaals.....	161
3-kanaals.....	163
Bediening van de voetschakelaar	164
GigBAR RF afstandsbediening	164
GigBAR RF-afstandsbediening	165
Master/Slave-modus	167
5. Onderhoud	168
Productonderhoud.....	168
6. Technische Specificaties.....	169
Neem contact Op.....	171
Garantie & Retouren	171

1. Before You Begin

What Is Included

- GigBAR MOVE + ILS
- Power cord
- RF remote
- Carrying bag
- Tripod
- Tripod carrying bag
- Footswitch
- User manual

Unpacking Instructions

Carefully unpack the product immediately and check the container to make sure all the parts are in the package and are in good condition.

Claims





If the box or the contents (the product and included accessories) appear damaged from shipping, or show signs of mishandling, notify the carrier immediately, not Chauvet. Failure to report damage to the carrier immediately may invalidate your claim. In addition, keep the box and contents for inspection.

For other issues, such as missing components or parts, damage not related to shipping, or concealed damage, file a claim with Chauvet within 7 days of delivery.

Text Conventions

Convention	Meaning
1–512	A range of values
50/60	A set of values of which only one can be chosen
Settings	A menu option not to be modified
<ENTER>	A key to be pressed on the product's control panel
ON	A value to be entered or selected

Symbols

Symbol	Meaning
	Critical installation, configuration, or operation information. Not following these instructions may make the product not work, cause damage to the product, or cause harm to the operator.
	Important installation or configuration information. The product may not function correctly if this information is not used.
	Useful information.
	Laser safety information.

Disclaimer

Chauvet believes that the information contained in this manual is accurate in all respects. However, Chauvet assumes no responsibility and specifically disclaims any and all liability to any party for any loss, damage or disruption caused by any errors or omissions in this document, whether such errors or omissions result from negligence, accident or any other cause. Chauvet reserves the right to revise the content of this document without any obligation to notify any person or company of such revision, however, Chauvet has no obligation to make, and does not commit to make, any such revisions. Download the latest version from www.chauvetdj.com.

FCC Compliance

This device complies with Part 15 Part B of the FCC rules. Operation is subject to the following two conditions:

1. This device may not cause harmful interference, and
2. This device must accept any interference received, including interference that may cause undesired operation.

Any changes or modifications not expressly approved by the party responsible for compliance could void the user's authority to operate the equipment.

Intellectual Property

The works of authorship contained in this manual, including, but not limited to, all design, text and images are owned by Chauvet.

© **Copyright 2023 Chauvet & Sons, LLC. All rights reserved.**

Electronically published by Chauvet in the United States of America.

CHAUVET, the Chauvet logo, and GigBAR MOVE + ILS are registered trademarks or trademarks of Chauvet & Sons LLC (d/b/a Chauvet and Chauvet Lighting) in the United States and other countries. Other company and product names and logos referred to herein may be trademarks of their respective companies.

Safety Notes

The Safety Notes include important laser system safety information. Read and understand all instructions before powering on the laser for the first time. Knowing these safety instructions is crucial to avoiding laser eye injury and breaking the law. Keep this User Manual in a safe place for future reference.



STOP AND READ ALL LASER SAFETY DATA



- Lasers can be hazardous and have unique safety considerations. Permanent eye injury and blindness are possible if lasers are used incorrectly. Pay close attention to each safety REMARK and WARNING statement in this User Manual. Read all instructions carefully BEFORE operating this device.
- Always connect the product to a grounded circuit to avoid the risk of electrocution.
- Always disconnect the product from the power source before cleaning.
- Avoid direct eye exposure to the light source while the product is on.
- Make sure the power cord is not crimped or damaged.
- Never disconnect the product from power by pulling or tugging on the cord.
- If mounting the product overhead, always secure to a fastening device using a safety cable.
- Make sure there are no flammable materials close to the product when operating.
- Do not touch the product's housing when operating because it may be very hot.
- This product is not intended for permanent installation.
- Always make sure that the voltage of the outlet to which you are connecting the product is within the range stated on the decal or rear panel of the product.
- The product is for indoor use only! (IP20) To prevent risk of fire or shock, do not expose the product to rain or moisture.
- Always install the product in a location with adequate ventilation, at least 20 in (50 cm) from adjacent surfaces.
- Be sure that no ventilation slots on the product's housing are blocked.
- Never connect the product to a dimmer.
- Make sure to replace the fuse with another of the same type and rating.
- Always use the mounting bracket to carry the product.
- Do not switch the product on/off in short intervals. This will reduce the laser diode life.
- Do not shake this product. Avoid brute force when mounting or operating this product.
- ALWAYS use a safety cable when mounting the product overhead.
- The ambient operating temperature for the laser is 59 °F to 95 °F (15 °C to 35 °C). Do not operate this product outside this range.
- In the event of a serious operating problem, stop using the product immediately.
- Never try to repair the product. Repairs carried out by unskilled people can lead to damage or malfunction. Contact the nearest authorized technical assistance center.



CAUTION! Use of controls, adjustments, or procedures other than THOSE specified IN THIS USER MANUAL may result in hazardous radiation exposure.



- Avoid direct eye contact with laser light. Never intentionally expose your eyes or others to direct laser light.
- This laser product can potentially cause instant eye injury or blindness if laser light directly strikes the eyes.
- It is illegal and dangerous to shine this laser into audience areas, where the audience or other personnel could get direct laser beams or bright reflections into their eyes.
- It is a U.S. federal offense to shine any laser at aircraft.
- To eliminate wear and improve its lifespan, during periods of non-use completely disconnect from power via breaker or by unplugging it.
- DO NOT attempt any repairs. Repairs and servicing must be carried out by a certified technician. Unauthorized modifications are forbidden for safety reasons!



Keep this User Manual for future consultation. If transferring ownership of the product to another user, be sure this document is kept with the laser.

Non-Interlocked Housing Warning



- This unit contains high power laser devices internally.
- Do not open the laser housing, due to potential exposure to unsafe levels of laser radiation.
- The laser power levels, accessible if the unit is opened, can cause instant blindness, skin burns, and fires.

Laser Safety Notes



STOP AND READ ALL THE LASER SAFETY NOTES BELOW



Laser light is different from any other light. Laser light can cause eye injury if the product is not set up and used properly. Laser light is a thousand times more concentrated than any other kind of light. This concentration can cause instant eye injuries by burning the retina (the light-sensitive portion at the back of the eye). The heat from a laser light cannot be felt, but it can still injure or blind product operators and the audience. Even very small amounts of laser light at long distances are potentially hazardous.

DO NOT assume that exposure to an individual laser beam is safe, even a tiny beam split off from a larger beam. This laser product uses dozens of milliwatts of laser power—Class 3B levels internally—and splits them into multiple beams—Class 3R levels. The individual Class 3R level beams are potentially hazardous to the eyes.

DO NOT assume that a moving laser light is safe. Laser light is never without risk. Since eye injuries can occur instantly, it is critical to prevent the possibility of ANY direct eye exposure. According to laser safety regulations, it is not legal to aim Class 3R lasers into areas where people can be exposed, even if the laser is aimed below people's faces, such as at a dance floor.



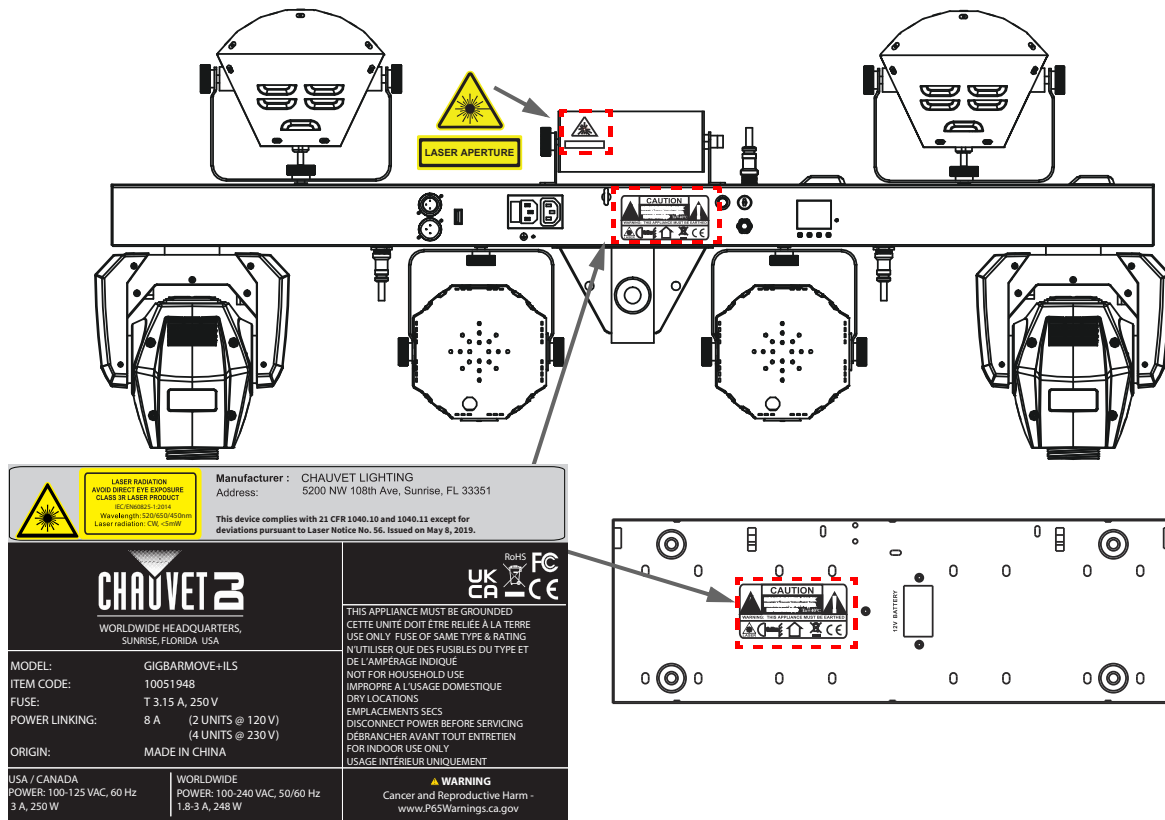
- Do not operate the laser without first reading and understanding all the safety and technical data in this manual.
- ALWAYS set up and install all laser effects so that any laser light is at least 3 meters (9.8 feet) above the floor on which people are standing. See the [Proper Usage](#) section of this manual.
- After setup, and prior to public use, test the lasers to ensure they are functioning properly. Do not use the product if any defect is detected.
- DO NOT point lasers at people or animals.
- DO NOT look into the laser aperture or laser beams.
- DO NOT point lasers into areas where people could be exposed to them.
- DO NOT point lasers at highly reflective surfaces such as windows, mirrors, and shiny metal. Even laser reflections can be hazardous.
- Never point a laser at aircraft; this is a U.S. federal offense.
- Never point unterminated laser beams into the sky.
- Do not expose the output optic (aperture) to harsh cleaning chemicals.
- Do not use the laser if the housing is damaged, open, or if the optics appear damaged in any way.
- Never open the laser housing. The high laser power levels inside of the protective housing can start fires or burn skin, and will cause instant eye injury.
- Never leave this product running unattended.
- The operation of a Class 3R laser show is allowed only if the lasers are operated by a skilled and well-trained professional, who is familiar with the data included in this manual.
- The legal requirements for using laser entertainment products vary from country to country. The user is responsible for the legal requirements in the location/country of use.



CAUTION! Do not operate this device in ways not specified in this User Manual. Failure to follow the instructions will void the warranty, may damage the product, or injure the user or the audience.

CAUTION! This product cannot be discarded with household waste. Contact your local waste management service for electronic disposal regulations in your area.

Laser Safety Label Reproduction



Laser Exposure Warning



LASER LIGHT AVOID DIRECT EYE EXPOSURE

Further guidelines and safety programs for safe use of lasers can be found in the ANSI Z136.1 Standard "For Safe Use of Lasers", available from the Laser Institute of America: www.lia.org. Many local governments, corporations, agencies, military, and others, require all lasers to be used under the guidelines of ANSI Z136.1. Laser Display guidance can be obtained via the International Laser Display Association: www.ilda.com.

Laser Emission Data

As measured under IEC measurement conditions for classification.

Laser Classification	Class 3R
Red Laser Medium	LD/650 nm/80 mW
Green Laser Medium	LD/520 nm/30 mW
Blue Laser Medium	LD/450 nm/80 mW
Beam Diameter	<5 mm at aperture
Pulse Data	All pulses < 4 Hz (>0.25 sec)
Divergence (each beam)	<2 mrad
Divergence (total light)	<160 degrees
Laser Power of Each Beam from Aperture*	<5 mW

*As measured under IEC measurement conditions for classification.

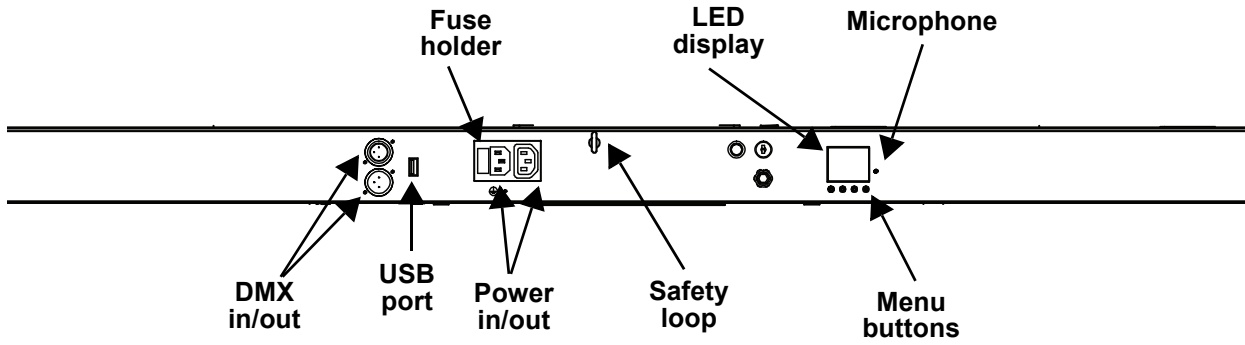
Laser Compliance Statement

Complies with FDA performance standards for laser products except for deviations pursuant to Laser Notice No. 56, dated May 08, 2019. No maintenance is required to keep this product in compliance with laser performance standards.

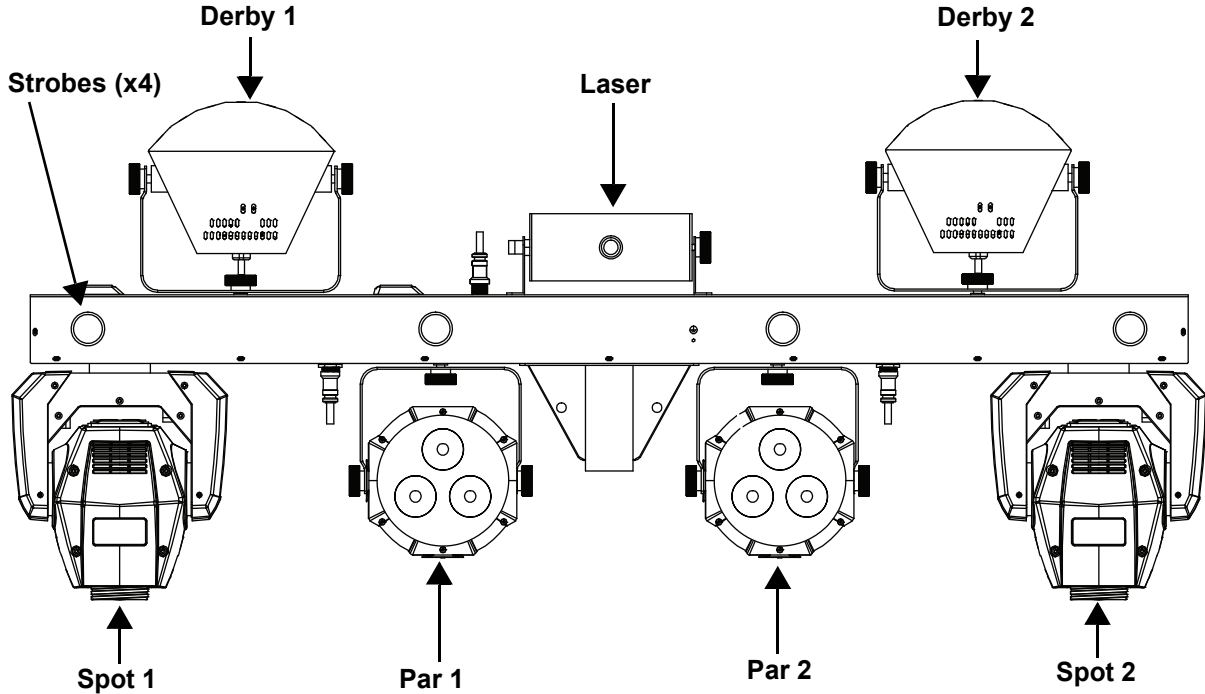
2. Introduction

Product Overview

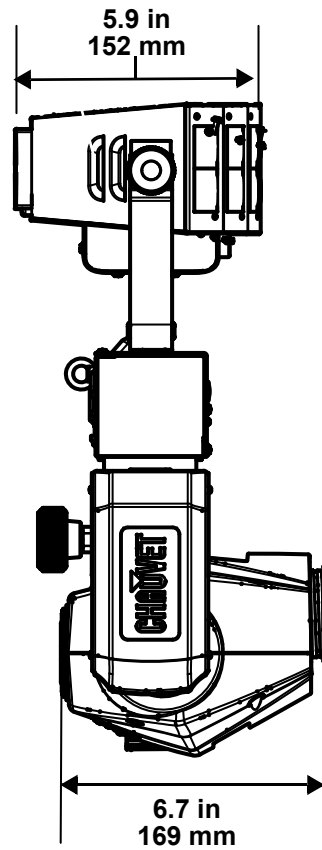
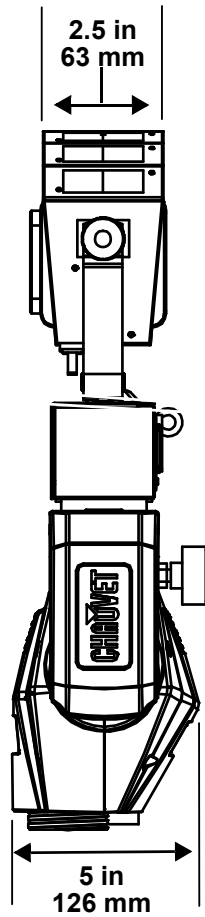
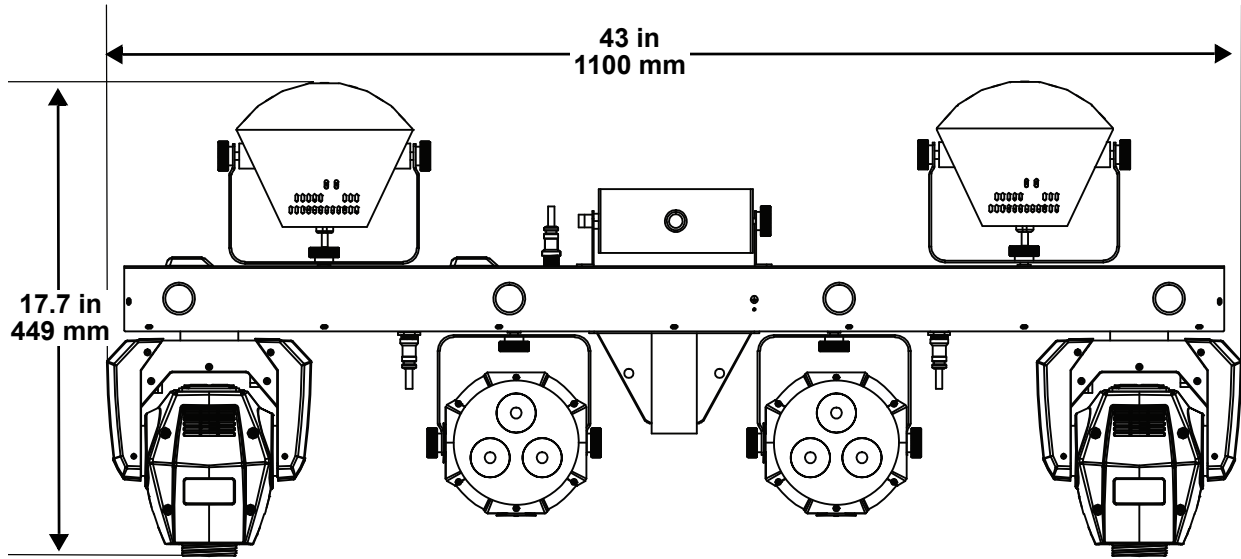
Back Panel View



Front Panel View



Product Dimensions



3. Setup

AC Power

The GigBAR MOVE + ILS has an auto-ranging power supply, and it can work with an input voltage range of 100 to 240 VAC, 50/60 Hz.

To determine the product's power requirements (circuit breaker, power outlet, and wiring), use the current value listed on the label affixed to the product's back panel, or refer to the product's specifications chart. The listed current rating indicates the product's average current draw under normal conditions.



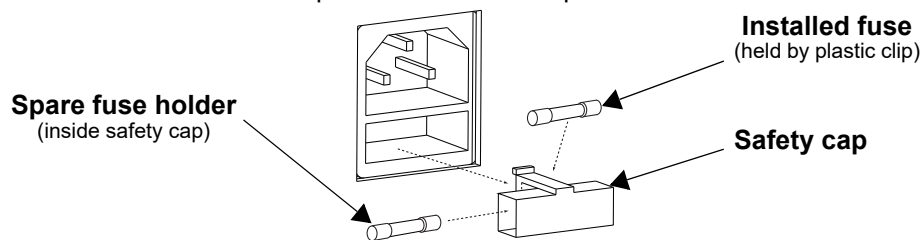
- **Always connect the product to a protected circuit (a circuit breaker or fuse). Make sure the product has an appropriate electrical ground to avoid the risk of electrocution or fire.**
- **To eliminate unnecessary wear and improve its lifespan, during periods of non-use completely disconnect the product from power via breaker or by unplugging it.**



Never connect the product to a rheostat (variable resistor) or dimmer circuit, even if the rheostat or dimmer channel serves only as a 0 to 100% switch.

Fuse Replacement

1. Disconnect the product from power.
2. Wedge the tip of a flat-head screwdriver into the slot of the fuse holder.
3. Pry the fuse holder out of the housing.
4. Remove the blown fuse from the holder and replace with a fuse of the exact same type and rating.
5. Insert the fuse holder back in place and reconnect power.



Disconnect the product from the power outlet before replacing the fuse.

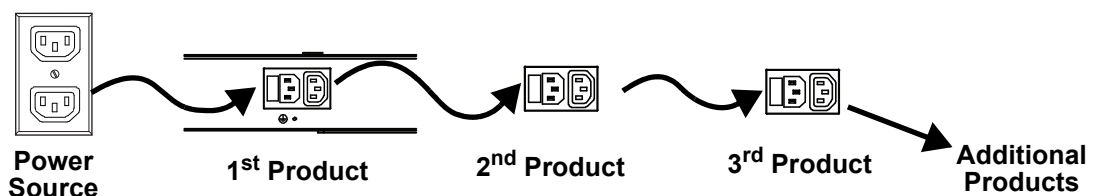


Always replace a blown fuse with one of the same type and rating.

Power Linking

The product provides power linking via the outlet located in the back of the product. See the diagram below for further explanation.

Power-Linking Diagram



It is possible to power link up to 2 GigBAR MOVE + ILS products on 120 VAC or up to 4 GigBAR MOVE + ILS products on 230 VAC.

ILS Connection

ILS (Integrated Lighting System) provides 4 modes that synchronize with the GigBAR MOVE + ILS: Modes 1 and 3 synchronize with side 1 of the GigBAR MOVE + ILS, whereas modes 2 and 4 synchronize with side 2 of the GigBAR MOVE + ILS. When linked, effects will sync with the most similar effect on the selected side of the GigBAR MOVE + ILS: Kinta effects will sync with one of the kintas, moving heads will sync with one of the moving heads, and wash effects will sync with one of the pars. Laser effects will sync with the laser, and strobe effects will sync with the strobe effects regardless of ILS mode.

Mounting

Before mounting the product, read and follow the safety recommendations indicated in the [Safety Notes](#).

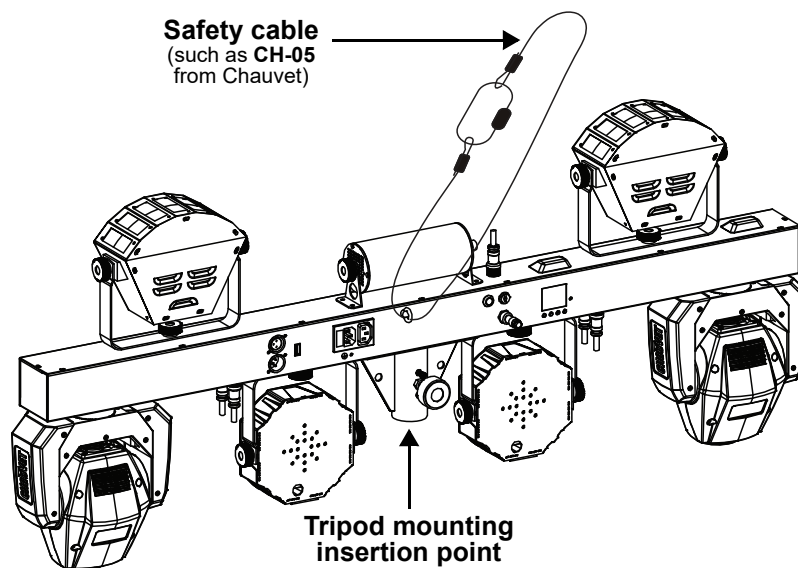
Orientation

The GigBAR MOVE + ILS must be mounted in a position that includes planning for safe laser usage. In addition, make sure adequate ventilation is provided around the product.

Rigging

- Before deciding on a location for the product, always make sure there is easy access to the product for maintenance and programming.
- Make sure that the structure or surface onto which you are mounting the product can support the product's weight (see the [Technical Specifications](#))
- When mounting the product overhead, always use a safety cable. Mount the product securely to a rigging point, such as an elevated platform or a truss.
- When rigging the product onto a truss, use a mounting clamp of appropriate weight capacity.
- The bracket adjustment knobs allow for directional adjustment when aiming the product to the desired angle. Only loosen or tighten the bracket knobs manually. Using tools could damage the knobs.

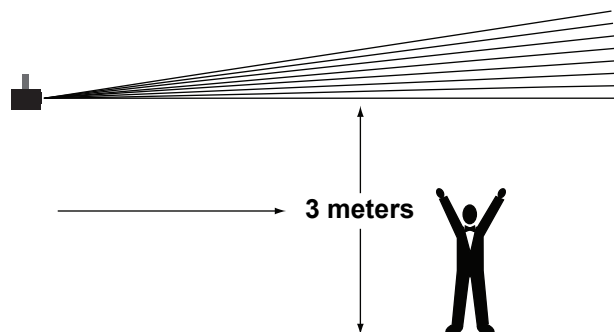
Mounting Diagram



Proper Usage

This product is for overhead mounting only. For safety purposes, Chauvet recommends mounting lighting effect products on steady elevated platforms or sturdy overhead supports using suitable hanging clamps. In all cases, use safety cables. Obtain appropriate mounting hardware from your lighting vendor.

International laser safety regulations require that laser products must be operated in the fashion illustrated below, with a minimum of 3 meters (9.8 ft) of vertical separation between the floor and the lowest laser light. Additionally, 3 meters of horizontal separation is required between laser light and audience or other public spaces.



CAUTION! Use of controls, adjustments, or procedures other than **THOSE** specified **IN THIS USER MANUAL** may result in hazardous radiation exposure.

4. Operation

This product is not designed for continual use. Make sure there are regular breaks during operation to maximize the life of the lasers. Always disconnect the GigBAR MOVE + ILS from power when not in use.

Control Panel Operation

To access the control panel functions, use the four buttons located underneath the display. Please refer to the [Product Overview](#) to see the button locations on the control panel.

Button	Function
<MENU>	Selects an operation mode or backs out of the current menu option
<UP>	Navigates upwards through the menu list or increases a selected numeric value
<DOWN>	Navigates downwards through the menu list or decreases a selected numeric value
<ENTER>	Activates a menu option or selected value

Menu Map

Refer to the GigBAR MOVE + ILS product page on www.chauvetdj.com for the latest menu map.

Mode	Programming Levels	Description
AUTO	Mix	1-4 Sets auto mixed effects show
	Spots	1 Selects moving heads auto show
	Strobe	1 Selects strobe auto show
	Laser	1 Selects laser auto show
	Derby	1 Selects derby auto show
	Par	1 Selects pars auto show
	S+SP	1 Selects strobe and moving heads auto show
	L+SP	1 Selects laser and moving heads auto show
	LS	1 Selects laser and strobe auto show
	D+SP	1 Selects derby and moving heads auto show
	DS	1 Selects derby and strobe auto show
	DL	1 Selects derby and laser auto show
	P+SP	1 Selects pars and moving heads auto show
	PS	1 Selects pars and strobe auto show
	PL	1 Selects pars and laser auto show
	PD	1 Selects pars and derby auto show
	PS+SP	1 Selects pars, strobe, and moving heads auto show
	PL+SP	1 Selects pars, laser, and moving heads auto show
	PLS	1 Selects pars, laser, and strobe auto show
	PD+SP	1 Selects pars, derby, and moving heads auto show
	PDS	1 Selects pars, derby, and strobe auto show
	PDL	1 Selects pars, derby, and laser auto show
	DLS+SP	1 Selects derby, laser, strobe, and moving heads auto show
	PLS+SP	1 Selects pars, laser, strobe, and moving heads auto show
	PDS+SP	1 Selects pars, derby, strobe, and moving heads auto show
	PDL+SP	1 Selects pars, derby, laser, and moving heads auto show
	PDLS	1 Selects pars, derby, laser, and strobe auto show
Mode	Snap/Fade	Selects the transition between auto programs
Speed	0-99	Sets automatic program speed
Spots XY Speed	0-99	Adjusts the pan and tilt speed of the spots
Dimmer	0-255	Adjusts the dimmer
Strobe	0-20	Selects the strobe
Program Time	1-255 (seconds)	Sets the program time
Pars Color	Tri	The auto program will only use the red, green, and blue colors
	Quad	The auto program will only use the red, green, blue, and amber colors
	Hex	The auto program will use all the colors

Mode	Programming Levels		Description	
SOUND	Program	Mix	1–4	Sets mixed effects to sound mode
		Spots	1	Sets moving heads to sound mode
		Strobe	1	Sets strobe to sound mode
		Laser	1	Sets laser to sound mode
		Derby	1	Sets derby to sound mode
		Par	1	Sets pars to sound mode
		S+SP	1	Sets strobe and moving heads to sound mode
		L+SP	1	Sets laser and moving heads to sound mode
		LS	1	Sets laser and strobe to sound mode
		D+SP	1	Sets derby and moving heads to sound mode
		DS	1	Sets derby and strobe to sound mode
		DL	1	Sets derby and laser to sound mode
		P+SP	1	Sets pars and moving heads to sound mode
		PS	1	Sets pars and strobe to sound mode
		PL	1	Sets pars and laser to sound mode
		PD	1	Sets pars and derby to sound mode
		PS+SP	1	Sets pars, strobe, and moving heads to sound mode
		PL+SP	1	Sets pars, laser, and moving heads to sound mode
		PLS	1	Sets pars, laser, and strobe to sound mode
		PD+SP	1	Sets pars, derby, and moving heads to sound mode
		PDS	1	Sets pars, derby, and strobe to sound mode
		PDL	1	Sets pars, derby, and laser to sound mode
		DLS+SP	1	Sets derby, laser, strobe, and moving heads to sound mode
	PLS+SP	1	Sets pars, laser, strobe, and moving heads to sound mode	
	PDS+SP	1	Sets pars, derby, strobe, and moving heads to sound mode	
	PDL+SP	1	Sets pars, derby, laser, and moving heads to sound mode	
	PDLS	1	Sets pars, derby, laser, and strobe to sound mode	
	Sensitivity	0–99	Sets sound sensitivity	
	Spot Speed	0	Activates sound-active moving heads	
		1–99	Adjusts moving head speed, slow to fast	
	Dimmer	0–255	Adjusts dimmer	
	Strobe	0–20	Selects the strobe	
	Program Time	1–255 (seconds)	Sets the program time	
Sound Lost	Slow	The par, derby, laser, and strobe will stop on the last setting. The moving heads, color/gobo will stop on the last setting, and the movement will run slowly.		
	Freeze	The entire bar will freeze on the last setting.		
	Blackout	The entire bar will blackout.		
Pars Color	Tri	The auto program will only use the red, green, and blue colors		
	Quad	The auto program will only use the red, green, blue, and amber colors		
	Hex	The auto program will use all the colors		
Manual Mode	Par Red Par Green Par Blue Par Amber Par White Par UV	0–255	Selects the Par color	
	Derby Red Derby Green Derby Blue Derby White		Selects the Derby color	

Mode	Programming Levels		Description
Manual Mode	Derby Motor	0–255	Rotates the LED clockwise or counterclockwise
	Laser		Turns the laser on and off manually
	Flash Dimmer		Adjusts the dimmer of the white LED
	Pan		Adjusts the pan angle
	Tilt		Adjusts the tilt angle
	Color		Selects the color manually
	Gobo		Selects the gobo manually
	Dimmer		Adjusts the brightness
	Shutter		Adjusts the shutter
DMX	DMX	3CH 30CH 52CH	Selects the DMX channel
	Address	001–510	Sets DMX starting address
Slave			Sets the fixture on Slave mode
SETUP	RF	COMMON	Enables control of the fixture using any RF remote
		BIND	Enables control of the GigBAR MOVE + ILS using only the RF remote paired to the fixture
		OFF	Turns infrared off
	RF Binding		Pairs an RF remote to a specific GigBAR MOVE + ILS fixture (Hold and press Blackout button on the RF remote)
	FOOT	COMMON	Enables control of the fixture using any footswitch
		BIND	Enables control of the GigBAR MOVE + ILS using only the footswitch paired to the fixture
		OFF	Turns footswitch control off
	FOOT Binding		Pairs a footswitch to a specific GigBAR MOVE + ILS fixture (Hold and press Blackout pedal on the footswitch)
	DFI	OFF	Disables DFI
		RX	Enables/disables receiving of DFI signal
		TX	Enables/disables transmitting of DFI signal
	DFI CH	1–16	Selects DFI channel
	Pan1 Reverse	ON	Enables/disables Spot 1 pan reverse
		OFF	
	Tilt1 Reverse	ON	Enables/disables Spot 1 tilt reverse
OFF			
Pan2 Reverse	ON	Enables/disables Spot 2 pan reverse	
	OFF		
Tilt2 Reverse	ON	Enables/disables Spot 2 tilt reverse	
	OFF		
RESET	NO	Resets to factory defaults	
	YES		



- The DMX value will display in white if not receiving the DMX signal, and will display in yellow if receiving the DMX signal.
- The menu display will turn off if there is no operation within 60 seconds.
- In DMX mode, the fixture will save the last settings when the DMX signal was lost. When in Master/Slave mode, it will blackout when the DMX signal is lost.

Configuration (Standalone)

Set the product in one of the standalone modes to control without a DMX controller.



Never connect a product that is operating in any standalone mode to a DMX string connected to a DMX controller. Products in standalone mode may transmit DMX signals that could interfere with the DMX signals from the controller.

Automatic Mixed Effect Mode

To run the GigBAR MOVE + ILS in automatic mode, follow the instructions below.

1. Press **<MENU>** to view the main menu on the display.
2. Use **<UP>** or **<DOWN>** until **AUTO** is highlighted.
3. Press **<ENTER>**.
4. Use **<UP>** or **<DOWN>** to select **Program**.
5. Press **<ENTER>**.
6. Use **<UP>** or **<DOWN>** to select from the Auto Program options: **Mix 1–4, Spots, Strobe, Laser, Derby, Par, S+SP, L+SP, LS, D+SP, DS, DL, P+SP, PS, PL, PD, PS+SP, PL+SP, PLS, PD+SP, PDS, PDL, DLS+SP, PLS+SP, PDS+SP, PDL+SP, or PDLS**.
7. Press **<ENTER>**.
8. Use **<UP>** or **<DOWN>** to select **Mode**.
9. Press **<ENTER>**.
10. Use **<UP>** or **<DOWN>** to select between **Snap** (snap transition between programs) and **Fade** (fading transition between programs).
11. Press **<ENTER>**.
12. Use **<UP>** or **<DOWN>** to select **Speed**.
13. Press **<ENTER>**.
14. Use **<UP>** or **<DOWN>** to select to adjust the program speed, from **0–99**.
15. Press **<ENTER>**.

Sound-Active Mixed Effect Mode

To run the GigBAR MOVE + ILS in sound-active mode, do the following:

1. Press **<MENU>** to view the main menu on the display.
2. Use **<UP>** or **<DOWN>** until **SOUND** is selected.
3. Press **<ENTER>**.
4. Use **<UP>** or **<DOWN>** to select **Program**.
5. Press **<ENTER>**.
6. Use **<UP>** or **<DOWN>** to select from the Auto Program options: **Mix 1–4, Spots, Strobe, Laser, Derby, Par, S+SP, L+SP, LS, D+SP, DS, DL, P+SP, PS, PL, PD, PS+SP, PL+SP, PLS, PD+SP, PDS, PDL, DLS+SP, PLS+SP, PDS+SP, PDL+SP, or PDLS**.
7. Press **<ENTER>**.

Sound Sensitivity

To set the sound sensitivity on the GigBAR MOVE + ILS, follow the instructions below:

1. Press **<MENU>** to view the main menu on the display.
2. Use **<UP>** or **<DOWN>** until **SOUND** is selected.
3. Press **<ENTER>**.
4. Use **<UP>** or **<DOWN>** to select **Sensitivity**.
5. Press **<ENTER>**.
6. Use **<UP>** or **<DOWN>** to set the sound sensitivity from **0–99**.
7. Press **<ENTER>**.



- **The product will only respond to low frequencies of music (bass and drums).**
- **The laser will black out when in Sound-Active mode after 3 seconds of silence or noise below the sensitivity setting.**

Dimmer

To adjust the dimmer on the GigBAR MOVE + ILS, do the following:

1. Press **<MENU>** to view the main menu on the display.
2. Use **<UP>** or **<DOWN>** until **AUTO** or **SOUND** is selected.
3. Press **<ENTER>**.
4. Use **<UP>** or **<DOWN>** to select **Dimmer**.
5. Press **<ENTER>**.
6. Use **<UP>** or **<DOWN>** to set the dimmer from **0–255**.
7. Press **<ENTER>**.

Operation

Strobe

To set the strobe on the GigBAR MOVE + ILS, follow the instructions below:

1. Press **<MENU>** to view the main menu on the display.
2. Use **<UP>** or **<DOWN>** until **AUTO** or **SOUND** is selected.
3. Press **<ENTER>**.
4. Use **<UP>** or **<DOWN>** to select **Strobe**.
5. Press **<ENTER>**.
6. Use **<UP>** or **<DOWN>** to set the strobe from **0–20**.
7. Press **<ENTER>**.

Program Time

To set the program time on the GigBAR MOVE + ILS, do the following:

1. Press **<MENU>** to view the main menu on the display.
2. Use **<UP>** or **<DOWN>** until **AUTO** or **SOUND** is selected.
3. Press **<ENTER>**.
4. Use **<UP>** or **<DOWN>** to select **Program Time**.
5. Press **<ENTER>**.
6. Use **<UP>** or **<DOWN>** to set the timer from **0–255** (seconds).
7. Press **<ENTER>**.

Pars Color

To set what color the pars will display when set to auto program, follow the instructions below:

1. Press **<MENU>** to view the main menu on the display.
2. Use **<UP>** or **<DOWN>** until **AUTO** or **SOUND** is selected.
3. Press **<ENTER>**.
4. Use **<UP>** or **<DOWN>** to select **Pars Color**.
5. Press **<ENTER>**.
6. Use **<UP>** or **<DOWN>** to select among **Tri** (use RGB), **Quad** (use RGBA), or **Hex** (use all colors).
7. Press **<ENTER>**.

Spot Speed

To manually control the moving head speed in sound-active mode on the GigBAR MOVE + ILS, do the following:

1. Press **<MENU>** to view the main menu on the display.
2. Use **<UP>** or **<DOWN>** until **SOUND** is selected.
3. Press **<ENTER>**.
4. Use **<UP>** or **<DOWN>** to select **Spot Speed**.
5. Press **<ENTER>**.
6. Use **<UP>** or **<DOWN>** to set the speed from **0** (activates sound-active moving heads) or **1–99** (adjusts the speed of the moving head, from slow to fast).
7. Press **<ENTER>**.

Sound Lost

To set what the entire bar will do when sound is lost, follow the instructions below:

1. Press **<MENU>** to view the main menu on the display.
2. Use **<UP>** or **<DOWN>** until **SOUND** is selected.
3. Press **<ENTER>**.
4. Use **<UP>** or **<DOWN>** to select **Sound Lost**.
5. Press **<ENTER>**.
6. Use **<UP>** or **<DOWN>** to choose from **Slow** (the par, derby, laser, and strobe will stop on the last setting, whereas the moving heads and color/gobo will stop on the last setting, and the movement will run slowly), **Freeze** (the entire bar will freeze on the last setting), or **Blackout** (the entire bar will blackout).
7. Press **<ENTER>**.

Pan Reverse

To manually set the orientation of the pan on the GigBAR MOVE + ILS, do the following:

1. Press **<MENU>** to view the main menu on the display.
2. Use **<UP>** or **<DOWN>** until **SETUP** is selected.
3. Press **<ENTER>**.
4. Use **<UP>** or **<DOWN>** to select **Pan1 Reverse** (for Spot 1) or **Pan2 Reverse** (for Spot 2).
5. Press **<ENTER>**.
6. Use **<UP>** or **<DOWN>** to select **OFF** (normal pan motion) or **ON** (reversed pan motion).
7. Press **<ENTER>**.

Tilt Reverse

To manually set the orientation of the tilt on the GigBAR MOVE + ILS, follow the instructions below:

1. Press **<MENU>** to view the main menu on the display.
2. Use **<UP>** or **<DOWN>** until **SETUP** is selected.
3. Press **<ENTER>**.
4. Use **<UP>** or **<DOWN>** to select **Tilt1 Reverse** (for Spot 1) or **Tilt2 Reverse** (for Spot 2).
5. Press **<ENTER>**.
6. Use **<UP>** or **<DOWN>** to select **OFF** (normal tilt motion) or **ON** (reversed tilt motion).
7. Press **<ENTER>**.

Pan Range

To set the maximum angle of the pan on the GigBAR MOVE + ILS, do the following:

1. Press **<MENU>** to view the main menu on the display.
2. Use **<UP>** or **<DOWN>** until **SETUP** is selected.
3. Press **<ENTER>**.
4. Use **<UP>** or **<DOWN>** to select **Pan Range**.
5. Press **<ENTER>**.
6. Use **<UP>** or **<DOWN>** to set the pan angle from **180** (180°), **360** (360°), or up to **540** (540°).
7. Press **<ENTER>**.

Tilt Range

To set the maximum angle of the tilt on the GigBAR MOVE + ILS, follow the instructions below:

1. Press **<MENU>** to view the main menu on the display.
2. Use **<UP>** or **<DOWN>** until **SETUP** is selected.
3. Press **<ENTER>**.
4. Use **<UP>** or **<DOWN>** to select **Tilt Range**.
5. Press **<ENTER>**.
6. Use **<UP>** or **<DOWN>** to set the tilt angle from **90** (90°), **180** (180°), or up to **270** (270°).
7. Press **<ENTER>**.

Factory Reset

To reset specific functions or the entire product, do the following:

1. Press **<MENU>** to view the main menu on the display.
2. Use **<UP>** or **<DOWN>** until **SETUP** is selected.
3. Press **<ENTER>**.
4. Use **<UP>** or **<DOWN>** to select **RESET**.
5. Press **<ENTER>**.
6. Use **<UP>** or **<DOWN>** to select **YES** (to reset the product configuration) or **NO** (to cancel).
7. Press **<ENTER>**.

Configuration (DMX)

The GigBAR MOVE + ILS works with a DMX controller. Information about DMX is in the CHAUVET DMX Primer, which is available from the Chauvet website:

http://www.chauvetlighting.com/downloads/DMX_Primer_rev05_WO.pdf.

Starting Address

When selecting a starting DMX address, always consider the number of DMX channels the selected DMX mode uses. If the starting address is set too high, access to some of the product's channels could be restricted. The GigBAR MOVE + ILS uses 3 DMX channels, which defines the highest configurable address to **461**.

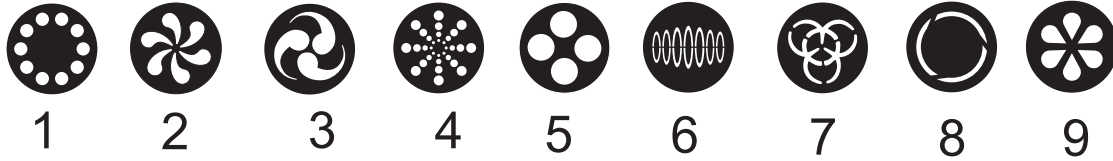
For information about the DMX protocol, download the DMX Primer from www.chauvetdj.com.

To select the starting address, do the following:

1. Press **<MENU>** to view the main menu on the display.
2. Use **<UP>** or **<DOWN>** until **DMX** is highlighted.
3. Press **<ENTER>**.
4. Press **<ENTER>** again.
5. Use **<UP>** or **<DOWN>** to select the DMX Channel: **3CH**, **30CH**, or **52CH**.
6. Press **<ENTER>**
7. Use **<UP>** or **<DOWN>** to select **Address**.
8. Press **<ENTER>**
9. Use **<UP>** or **<DOWN>** to increase or decrease the starting address.
10. Press **<ENTER>**.

DMX Channel Assignments and Values

Gobos



52 Channels

Channel	Function	Value	Percent/Setting
1	Par 1 control	000 ⇔ 255	Par 1 red, DIM
2		000 ⇔ 255	Par 1 green, DIM
3		000 ⇔ 255	Par 1 blue, DIM
4		000 ⇔ 255	Par 1 amber, DIM
5		000 ⇔ 255	Par 1 white, DIM
6		000 ⇔ 255	Par 1 UV, DIM
7		000 ⇔ 250 251 ⇔ 255	Strobe speed, slow to fast Strobe to sound
8	Par 2 control	000 ⇔ 255	Par 2 red, DIM
9		000 ⇔ 255	Par 2 green, 0–100%
10		000 ⇔ 255	Par 2 blue, 0–100%
11		000 ⇔ 255	Par 2 amber, DIM
12		000 ⇔ 255	Par 2 white, DIM
13		000 ⇔ 255	Par 2 UV, DIM
14		000 ⇔ 250 251 ⇔ 255	Strobe speed, slow to fast Strobe to sound
15	Derby 1 control	000 ⇔ 255	Derby 1 red
16		000 ⇔ 255	Derby 1 green
17		000 ⇔ 255	Derby 1 blue
18		000 ⇔ 255	Derby 1 white
19		000 ⇔ 250 251 ⇔ 255	Strobe speed, slow to fast Strobe to sound
20		000 001 ⇔ 127 128 129 ⇔ 255	Stop Rotate clockwise, slow to fast Stop Rotate counterclockwise, slow to fast
21		Derby 2 control	000 ⇔ 255
22	000 ⇔ 255		Derby 2 green
23	000 ⇔ 255		Derby 2 blue
24	000 ⇔ 255		Derby 2 white
25	000 ⇔ 250 251 ⇔ 255		Strobe speed, slow to fast Strobe to sound
26	000 001 ⇔ 127 128 129 ⇔ 255		Stop Rotate clockwise, slow to fast Stop Rotate counterclockwise, slow to fast

Channel	Function	Value	Percent/Setting
27	Flash	000 ⇔ 255	White LED 1 dimmer
28		000 ⇔ 255	White LED 2 dimmer
29		000 ⇔ 255	White LED 3 dimmer
30		000 ⇔ 255	White LED 4 dimmer
31		000 ⇔ 250 251 ⇔ 255	Strobe speed, slow to fast Strobe to sound
32	Laser control	000 ⇔ 005	Blackout
33		006 ⇔ 041	Red
		042 ⇔ 077	Green
		078 ⇔ 113	Blue
		114 ⇔ 149	Red + green
		150 ⇔ 185	Red + blue
		186 ⇔ 221	Green + blue
222 ⇔ 255	Red + green + blue		
34	Spot 1 control	000	Stop
35		001 ⇔ 127	Rotate clockwise, slow to fast
		128	Stop
		129 ⇔ 255	Rotate counterclockwise, slow to fast
36	Spot 1 control	000 ⇔ 255	Pan
37		000 ⇔ 255	Fine pan
38		000 ⇔ 255	Tilt
39		000 ⇔ 255	Fine tilt
		000 ⇔ 255	Pan/tilt speed
40	Spot 1 color wheel	000 ⇔ 006	White
40		007 ⇔ 013	Red
		014 ⇔ 020	Orange
		021 ⇔ 027	Yellow
		028 ⇔ 034	Green
		035 ⇔ 041	Blue
		042 ⇔ 048	CTO 400K
		049 ⇔ 055	Cyan
		056 ⇔ 062	Magenta
		063 ⇔ 064	Lime
		065 ⇔ 189	Color index
		190 ⇔ 221	Color scroll clockwise, fast to slow
		222 ⇔ 223	Stop
		224 ⇔ 255	Color scroll counterclockwise, slow to fast

Channel	Function	Value	Percent/Setting
41	Spot 1 gobo wheel (see Gobos)	000 ⇔ 005	Open
		006 ⇔ 011	Gobo 1
		012 ⇔ 017	Gobo 2
		018 ⇔ 023	Gobo 3
		024 ⇔ 029	Gobo 4
		030 ⇔ 035	Gobo 5
		036 ⇔ 041	Gobo 6
		042 ⇔ 047	Gobo 7
		048 ⇔ 053	Gobo 8
		054 ⇔ 063	Gobo 9
		064 ⇔ 069	Gobo 9 shake, slow to fast
		070 ⇔ 075	Gobo 8 shake, slow to fast
		076 ⇔ 081	Gobo 7 shake, slow to fast
		082 ⇔ 087	Gobo 6 shake, slow to fast
		088 ⇔ 093	Gobo 5 shake, slow to fast
		094 ⇔ 099	Gobo 4 shake, slow to fast
		100 ⇔ 105	Gobo 3 shake, slow to fast
		106 ⇔ 111	Gobo 2 shake, slow to fast
112 ⇔ 117	Gobo 1 shake, slow to fast		
118 ⇔ 127	Open		
128 ⇔ 189	Scroll clockwise, slow to fast		
190 ⇔ 193	Stop		
194 ⇔ 255	Scroll counterclockwise, slow to fast		
42	Spot 1 dimmer	000 ⇔ 255	0–100%
43	Spot 1 strobe	000 ⇔ 003	Closed
		004 ⇔ 007	Open
		008 ⇔ 076	Strobe, slow to fast
		077 ⇔ 145	Pulse strobe, slow to fast
		146 ⇔ 215	Random strobe, slow to fast
		216 ⇔ 255	Open
44	Spot 2 control	000 ⇔ 255	Pan
45		000 ⇔ 255	Fine pan
46		000 ⇔ 255	Tilt
47		000 ⇔ 255	Fine tilt
48		000 ⇔ 255	Pan/tilt speed

Channel	Function	Value	Percent/Setting
49	Spot 2 color wheel	000 ⇔ 006	White
		007 ⇔ 013	Red
		014 ⇔ 020	Orange
		021 ⇔ 027	Yellow
		028 ⇔ 034	Green
		035 ⇔ 041	Blue
		042 ⇔ 048	CTO 400K
		049 ⇔ 055	Cyan
		056 ⇔ 062	Magenta
		063 ⇔ 064	Lime
		065 ⇔ 189	Color index
		190 ⇔ 221	Color scroll clockwise, fast to slow
		222 ⇔ 223	Stop
224 ⇔ 255	Color scroll counterclockwise, slow to fast		
50	Spot 2 gobo wheel (see Gobos)	000 ⇔ 005	Open
		006 ⇔ 011	Gobo 1
		012 ⇔ 017	Gobo 2
		018 ⇔ 023	Gobo 3
		024 ⇔ 029	Gobo 4
		030 ⇔ 035	Gobo 5
		036 ⇔ 041	Gobo 6
		042 ⇔ 047	Gobo 7
		048 ⇔ 053	Gobo 8
		054 ⇔ 063	Gobo 9
		064 ⇔ 069	Gobo 9 shake, slow to fast
		070 ⇔ 075	Gobo 8 shake, slow to fast
		076 ⇔ 081	Gobo 7 shake, slow to fast
		082 ⇔ 087	Gobo 6 shake, slow to fast
		088 ⇔ 093	Gobo 5 shake, slow to fast
		094 ⇔ 099	Gobo 4 shake, slow to fast
		100 ⇔ 105	Gobo 3 shake, slow to fast
		106 ⇔ 111	Gobo 2 shake, slow to fast
		112 ⇔ 117	Gobo 1 shake, slow to fast
		118 ⇔ 127	Open
128 ⇔ 189	Scroll clockwise, slow to fast		
190 ⇔ 193	Stop		
194 ⇔ 255	Scroll counterclockwise, slow to fast		
51	Spot 2 dimmer	000 ⇔ 255	0–100%
52	Spot 2 strobe	000 ⇔ 003	Closed
		004 ⇔ 007	Open
		008 ⇔ 076	Strobe, slow to fast
		077 ⇔ 145	Pulse strobe, slow to fast
		146 ⇔ 215	Random strobe, slow to fast
		216 ⇔ 255	Open

30 Channels

Channel	Function	Value	Percent/Setting
1	Par control	000 ⇔ 255	Par red, DIM
2		000 ⇔ 255	Par green, DIM
3		000 ⇔ 255	Par blue, DIM
4		000 ⇔ 255	Par amber, DIM
5		000 ⇔ 255	Par white, DIM
6		000 ⇔ 255	Par UV, DIM
7		000 ⇔ 250	Strobe speed, slow to fast
		251 ⇔ 255	Strobe to sound
8	Derby control	000 ⇔ 255	Derby Red
9		000 ⇔ 255	Derby Green
10		000 ⇔ 255	Derby Blue
11		000 ⇔ 255	Derby White
12		000 ⇔ 250	Strobe speed, slow to fast
		251 ⇔ 255	Strobe to sound
13		000	Stop
	001 ⇔ 127	Rotate clockwise, slow to fast	
	128	Stop	
	129 ⇔ 255	Rotate counterclockwise, slow to fast	
14	Flash	000 ⇔ 255	White LED 1 dimmer
15		000 ⇔ 255	White LED 2 dimmer
16		000 ⇔ 255	White LED 3 dimmer
17		000 ⇔ 255	White LED 4 dimmer
18		000 ⇔ 250	Strobe speed, slow to fast
		251 ⇔ 255	Strobe to sound
19	Laser control	000 ⇔ 005	Blackout
		006 ⇔ 041	Red
		042 ⇔ 077	Green
		078 ⇔ 113	Blue
		114 ⇔ 149	Red + green
		150 ⇔ 185	Red + blue
		186 ⇔ 221	Green + blue
		222 ⇔ 255	Red + green + blue
20	000 ⇔ 255	Strobe speed, slow to fast	
21	000	Stop	
	001 ⇔ 127	Rotate clockwise, slow to fast	
	128	Stop	
	129 ⇔ 255	Rotate counterclockwise, slow to fast	
22	Spot control	000 ⇔ 255	Pan
23		000 ⇔ 255	Fine pan
24		000 ⇔ 255	Tilt
25		000 ⇔ 255	Fine tilt
26		000 ⇔ 255	Pan/tilt speed

Channel	Function	Value	Percent/Setting
27	Spot color wheel	000 ⇔ 006	White
		007 ⇔ 013	Red
		014 ⇔ 020	Orange
		021 ⇔ 027	Yellow
		028 ⇔ 034	Green
		035 ⇔ 041	Blue
		042 ⇔ 048	CTO 400K
		049 ⇔ 055	Cyan
		056 ⇔ 062	Magenta
		063 ⇔ 064	Lime
		065 ⇔ 189	Color index
		190 ⇔ 221	Color scroll clockwise, fast to slow
		222 ⇔ 223	Stop
224 ⇔ 255	Color scroll counterclockwise, slow to fast		
28	Spot gobo wheel (see Gobos)	000 ⇔ 005	Open
		006 ⇔ 011	Gobo 1
		012 ⇔ 017	Gobo 2
		018 ⇔ 023	Gobo 3
		024 ⇔ 029	Gobo 4
		030 ⇔ 035	Gobo 5
		036 ⇔ 041	Gobo 6
		042 ⇔ 047	Gobo 7
		048 ⇔ 053	Gobo 8
		054 ⇔ 063	Gobo 9
		064 ⇔ 069	Gobo 9 shake, slow to fast
		070 ⇔ 075	Gobo 8 shake, slow to fast
		076 ⇔ 081	Gobo 7 shake, slow to fast
		082 ⇔ 087	Gobo 6 shake, slow to fast
		088 ⇔ 093	Gobo 5 shake, slow to fast
		094 ⇔ 099	Gobo 4 shake, slow to fast
		100 ⇔ 105	Gobo 3 shake, slow to fast
		106 ⇔ 111	Gobo 2 shake, slow to fast
		112 ⇔ 117	Gobo 1 shake, slow to fast
		118 ⇔ 127	Open
128 ⇔ 189	Scroll clockwise, slow to fast		
190 ⇔ 193	Stop		
194 ⇔ 255	Scroll counterclockwise, slow to fast		
29	Spot dimmer	000 ⇔ 255	0–100%
30	Spot strobe	000 ⇔ 003	Closed
		004 ⇔ 007	Open
		008 ⇔ 076	Strobe, slow to fast
		077 ⇔ 145	Pulse strobe, slow to fast
		146 ⇔ 215	Random strobe, slow to fast
		216 ⇔ 255	Open

3 Channels

Channel	Function	Value	Percent/Setting
1	Operation	000 ⇄ 005	Blackout
		006 ⇄ 013	Mix 1
		014 ⇄ 022	Mix 2
		023 ⇄ 031	Mix 3
		032 ⇄ 040	Mix 4
		041 ⇄ 049	Pars + Derby Lights + Laser + Strobes
		050 ⇄ 058	Pars + Derby Lights + Laser + Spots
		059 ⇄ 067	Pars + Derby Lights + Strobes + Spots
		068 ⇄ 076	Pars + Laser + Strobes + Spots
		077 ⇄ 085	Derby Lights + Laser + Strobes + Spots
		086 ⇄ 094	Pars + Derby Lights + Laser
		095 ⇄ 103	Pars + Derby Lights + Strobes
		104 ⇄ 112	Pars + Derby Lights + Spots
		113 ⇄ 121	Pars + Laser + Strobes
		122 ⇄ 130	Pars + Laser + Spots
		131 ⇄ 139	Pars + Strobes + Spots
		140 ⇄ 147	Pars and Derby Lights
		148 ⇄ 155	Pars and Laser
		156 ⇄ 163	Pars and Strobes
		164 ⇄ 171	Pars and Spots
		172 ⇄ 179	Derby Lights and Laser
		180 ⇄ 187	Derby Lights and Strobes
		188 ⇄ 195	Derby Lights and Spots
		196 ⇄ 203	Laser and Strobes
		204 ⇄ 211	Laser and Spots
		212 ⇄ 219	Strobes and Spots
		220 ⇄ 227	Pars on only
		228 ⇄ 235	Derby Lights on only
		236 ⇄ 243	Laser on only
		244 ⇄ 251	Strobes on only
252 ⇄ 255	Spots on only		
2	Speed	000 ⇄ 127	Speed, slow to fast (sets auto program in CH1)
		128 ⇄ 255	Sound sensitivity (sets sound program in CH1)
3	Spot XY speed	000 ⇄ 255	Spots XY speed, slow to fast



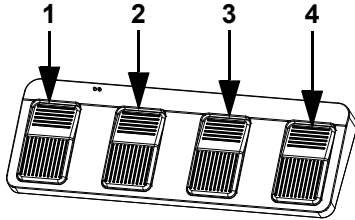
When the value of CH2 is between 000–127, CH1 is in Auto mode. When the value of CH2 is between 128–255, CH1 is in Sound mode.

Operation

Wireless Footswitch

The included wireless footswitch provides quick access to preset colors, color-change programs, and sound-activation through the GigBAR MOVE + ILS microphone.

To use the footswitch:



1. Connect the GigBAR MOVE + ILS to power. Turn the wireless footswitch on.
2. Press **<MENU>** on the GigBAR MOVE + ILS until **SETUP** shows on the display, and press **<ENTER>**.
3. Use **<UP>** or **<DOWN>** to select **FOOT** then press **<ENTER>**.
4. Use **<UP>** or **<DOWN>** to select **COMMON** (to use the GigBAR MOVE + ILS with any footswitch) or **BIND** (to pair a footswitch to a specific GigBAR MOVE + ILS fixture).
5. Press **<ENTER>**.
6. Use the chart below to activate the desired function.

Footswitch Operation

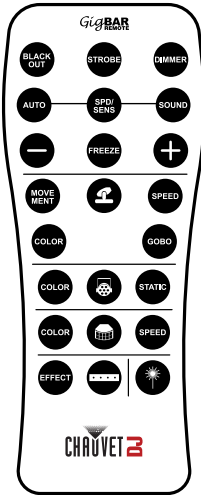
Pedal	Action	Functions
1 (Auto Programs)	Tap pedal to activate, then tap to navigate to desired function	Auto programs
2 (Sound Mode)	Press and hold	Sound-active programs
3 (Static Colors)	Tap	Cycles through colors (Pars and Derby Lights ONLY)
4 (Blackout)	Tap	Blackout



- The GigBAR MOVE + ILS footswitch will work properly in any mode, with a maximum unobstructed distance of 100 ft (30.5 m).
- The settings will be saved if there is no operation after 2 seconds.

GigBAR RF Remote Control

The GigBAR MOVE + ILS can be operated with the GigBAR RF Remote. To enable RF wireless control, follow the instructions below.



1. Press **<MENU>** to view the main menu on the display.
2. Use **<UP>** or **<DOWN>** until **SETUP** is selected.
3. Press **<ENTER>**.
4. Use **<UP>** or **<DOWN>** until **RF** is selected.
5. Press **<ENTER>**.
6. Use **<UP>** or **<DOWN>** to select **COMMON** (to connect a GigBAR MOVE + ILS to any RF remote) or **BIND** (to pair an RF remote to a specific GigBAR MOVE + ILS fixture).
7. Press **<ENTER>**.

GigBAR RF Remote Operation

Black Out

To black out the lasers with the RF remote:

- Press **<BLACK OUT>** on the RF remote.

This will turn off all the lasers until the button is pressed again.

NOTE: The RF remote will not respond to any inputs when Black Out is activated. If the product does not respond when a button is pressed, try pressing **<BLACK OUT>**. Black Out may have been activated.

Strobe

To activate strobe in manual mode using the RF remote:

1. Press **<STROBE>** on the RF remote.
2. Press **<+>** or **<->** to adjust the strobe.

Dimmer

To adjust the dimmer using the RF remote:

1. Press **<DIMMER>** on the RF remote.
2. Press **<+>** or **<->** to adjust the brightness.

Automatic Mode

Automatic mode will enable you to run the automatic programs on the product.

To turn on Automatic mode with the RF remote:

1. Press **<AUTO>** on the RF remote.
2. Press **<+>** or **<->** to choose between the different auto programs.

Speed

To adjust the auto program/spot speed with the RF remote:

1. Press **<SPD>** on the RF remote.
2. Press **<+>** or **<->** to increase or decrease the program speed.

Sound-Active Mode

To turn on Sound-Active mode with the RF remote:

1. Press and hold **<SOUND>** on the RF remote.
2. Press **<+>** or **<->** to select a sound-active program.

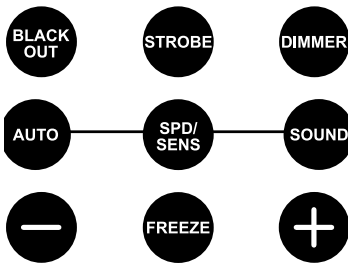
To adjust the sound sensitivity:

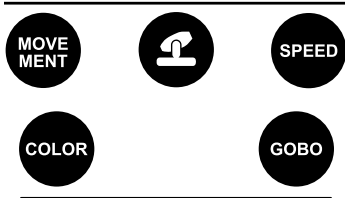
1. Press **<SENS>** on the RF remote.
2. Press **<+>** or **<->** to increase or decrease the sensitivity.

Freeze

To pause an auto program using the RF remote:

1. Press **<FREEZE>** on the RF remote.





Spots Program

To select a program for the Spots using an RF remote:

1. Press the **Spot icon button** on the RF remote.
2. Press **<MOVEMENT>** on the RF remote.
3. Press **<+>** or **<->** to change the movement program.

Spots XY Speed

To adjust the pan/tilt speed of the Spots using an RF remote:

1. Press the **Spot icon button** on the RF remote.
2. Press **<SPEED>** on the RF remote.
3. Press **<+>** or **<->** to increase or decrease the pan/tilt speed.

Spots Color

To select a color for the Spots using an RF remote:

1. Press the **Spot icon button** on the RF remote.
2. Press **<COLOR>** on the RF remote.
3. Press **<+>** or **<->** to scroll through the color wheel.

Spots Gobo

To select a gobo for the Spots using an RF remote:

1. Press **Spot icon button** on the RF remote.
2. Press **<GOBO>** on the RF remote.
3. Press **<+>** or **<->** to scroll through the gobo wheel.



Par Program

To select a program for the Pars using an RF remote:

1. Press the **Par icon button** on the RF remote.
2. Press **<COLOR>** on the RF remote.
3. Press **<+>** or **<->** to scroll through the color programs.

Par Color

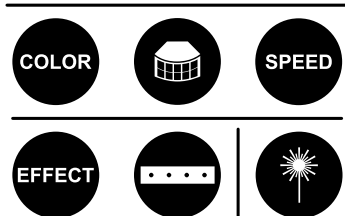
To select a static color for the Pars using an RF remote:

1. Press the **Par icon button** on the RF remote.
2. Press **<STATIC>** on the RF remote.
3. Press **<+>** or **<->** to scroll through the static colors.

Derby Program

To select a program for the Derby using an RF remote:

1. Press the **Derby icon button** on the RF remote.
2. Press **<COLOR>** on the RF remote.
3. Press **<+>** or **<->** to scroll through the colors.



Derby Speed

To adjust the rotation speed of the Derby using an RF remote:

1. Press the **Derby icon button** on the RF remote.
2. Press **<SPEED>** on the RF remote.
3. Press **<+>** or **<->** to increase or decrease rotation speed.

Laser

To turn on and off the Laser using an RF remote:

1. Press the **Laser icon button** on the RF remote.

Strobe Program

To select a program for the Strobe using an RF remote:

1. Press the **Strobe icon button** on the RF remote.
2. Press the **<EFFECT>** button to select a specific effect.
3. Press **<+>** or **<->** to scroll through the effects.



- The individual fixture icon buttons can also be used to turn on and off the selected functions.
- Any setting on the RF remote will be saved until the system is rebooted. The system will revert to Auto Mode after reboot.

Master/Slave Mode

The Master/Slave mode allows a single GigBAR MOVE + ILS product (the “master”) to control the actions of one or more GigBAR MOVE + ILS products (the “slaves”) without the need of a DMX controller. The master product will be set to operate in either standalone mode or with the RF remote, whereas the slave products will be set to operate in slave mode. Once set and connected, the slave products will operate in unison with the master product.

Configure the products as indicated below.

Slave products:

1. Press **<MENU>** repeatedly until **SETUP** shows on the display, then press **<ENTER>**.
2. Use **<UP>** or **<DOWN>** to select **DFI**, then press **<ENTER>**.
3. Use **<UP>** or **<DOWN>** to select **RX**, then press **<ENTER>**.
4. Use **<UP>** or **<DOWN>** to select the receiving D-Fi channel, from 1–16.
5. Press **<ENTER>**.
6. Press **<MENU>** repeatedly until **SLAVE** shows on the display, then press **<ENTER>**.
7. Finish setting and connecting all the slave products.

Master product:

1. Press **<MENU>** repeatedly until **SETUP** shows on the display, then press **<ENTER>**.
2. Use **<UP>** or **<DOWN>** to select **DFI**, then press **<ENTER>**.
3. Use **<UP>** or **<DOWN>** to select **TX**, then press **<ENTER>**.
4. Use **<UP>** or **<DOWN>** to select the transmitting D-Fi channel, from 1–16.
5. Press **<ENTER>**.

- **Make sure that the slave products are configured to the same D-Fi channel as the master product.**



- **Configure all the slave products before connecting the master to the daisy chain.**
- **Never connect a DMX controller to a DMX string configured for Master/Slave operation because the controller may interfere with the signals from the master.**

5. Maintenance

Product Maintenance

Dust build-up reduces light output performance and can cause overheating. This can lead to reduction of the light source's life and/or mechanical wear. To maintain optimum performance and minimize wear, clean your lighting products at least twice a month. However, be aware that usage and environmental conditions could be contributing factors to increase the cleaning frequency.

To clean the product, follow the instructions below:

1. Unplug the product from power.
2. Wait until the product is at room temperature.
3. Use a vacuum (or dry compressed air) and a soft brush to remove dust collected on the external surface/vents.
4. Clean all transparent surfaces with a mild soap solution, ammonia-free glass cleaner, or isopropyl alcohol.
5. Apply the solution directly to a soft, lint free cotton cloth or a lens cleaning tissue.
6. Softly drag any dirt or grime to the outside of the transparent surface.
7. Gently polish the transparent surfaces until they are free of haze and lint.



Always dry the transparent surfaces carefully after cleaning them.

6. Technical Specifications

Dimensions and Weight

Length	Width	Height	Weight
43 in (1100 mm)	5.7 in (144 mm)	17.7 in (449 mm)	14 lb (31 kg)

Note: Dimensions in inches are rounded.

Power

Power Supply Type	Range	Voltage Selection
Switching (internal)	100 to 240 VAC, 50/60 Hz	Auto-ranging

Parameter	120 V, 60 Hz	230 V, 50 Hz
Consumption	250 W	79 W
Operating current	3 A	0.6 A
Power-linking current (products)	8 A (2 products)	8 A (4 products)
Fuse	T 3.15 A, 250 V	T 3.15 A, 250 V

Power I/O	U.S./Worldwide	UK/Europe
Power input connector	IEC	IEC
Power output connector	Edison	IEC
Power cord plug	Edison (U.S.)	Local plug

Light Source (laser)

Type	Power	Wavelength
Laser (red)	100 mW	650 nm
Laser (green)	30 mW	520 nm
Laser (blue)	100 mW	450 nm

Light Source (derby)

Type	Color	Quantity	Power	Current	Lifespan
LED	RGBW (2 each)	8	6.5 W	2 A	50,000 hours

Light Source (pars)

Type	Color	Quantity	Power	Current	Lifespan
LED	RGBAW + UV	3	6 W	2 A	50,000 hours

Light Source (strobe)

Type	Color	Quantity	Power	Current	Lifespan
LED	Cool white	4	5 W	1.2 A	50,000 hours

Light Source (moving head)

Type	Color	Quantity	Power	Current	Lifespan
LED	Cool white	1	32 W	3 A	50,000 hours

Technical Specifications

Photometrics

Coverage Angle (derby)	Coverage Angle (laser)	Field Angle (pars)	Field Angle (strobe)
131°	93°	33°	62°
Beam Angle (moving heads)	Beam Angle (pars)	Beam Angle (strobe)	
17°	22°	30°	
Illuminance @ 2 m (pars)	Illuminance @ 2 m (moving heads)	Illuminance @ 2 m (strobes)	
1,205 lux (per par)	5,140 lux (per head)	130 lux (per zone)	
Pan and Tilt	Strobe Rate		
540°/180°	0 to 30 Hz		

Thermal

Laser Minimum External Temp.	Laser Maximum External Temp.	Cooling System
59 °F (15 °C)	95 °F (35 °C)	Fan-assisted convection

DMX

I/O Connector	Channel Range
3-pin XLR	3, 30, or 52

Ordering

Product Name	Item Code (EU)	UPC Number (EU)
GigBAR MOVE + ILS	10051948	781462222963



Contact Us

General Information	Technical Support
Chauvet World Headquarters	
Address: 3360 Davie Rd. Davie, FL 33314 Voice: (954) 577-4455 Fax: (954) 929-5560 Toll Free: (800) 762-1084	Voice: (844) 393-7575 Fax: (954) 756-8015 Email: chauvetcs@chauvetlighting.com Website: www.chauvetdj.com
Chauvet U.K.	
Address: Unit 1C Brookhill Road Industrial Estate Pinxton, Nottingham, UK NG16 6NT Voice: +44 (0) 1773 511115 Fax: +44 (0) 1773 511110	Email: UKtech@chauvetlighting.eu Website: www.chauvetdj.eu
Chauvet Benelux	
Address: Stokstraat 18 9770 Kruishoutem Belgium Voice: +32 9 388 93 97	Email: BNLtech@chauvetlighting.eu Website: www.chauvetdj.eu
Chauvet France	
Address: 3, Rue Ampère 91380 Chilly-Mazarin France Voice: +33 1 78 85 33 59	Email: FRtech@chauvetlighting.fr Website: www.chauvetdj.eu
Chauvet Germany	
Address: Bruno-Bürgel-Str. 11 28759 Bremen Germany Voice: +49 421 62 60 20	Email: DEtech@chauvetlighting.de Website: www.chauvetdj.eu
Chauvet Mexico	
Address: Av. de las Partidas 34 - 3B (Entrance by Calle 2) Zona Industrial Lerma Lerma, Edo. de México, CP 52000 Voice: +52 (728) 690-2010	Email: servicio@chauvet.com.mx Website: www.chauvetdj.mx

Warranty & Returns

For warranty registration and complete terms and conditions, please visit the Chauvet website.
For customers in the United Kingdom, Republic of Ireland, Belgium, the Netherlands, Luxembourg, France, and Germany: www.chauvetlighting.eu/warranty-registration.

1. Antes de Empezar

Qué va Incluido

- GigBAR MOVE + ILS
- Cable de alimentación
- RF control remoto
- Bolsa de transporte
- Trípode
- Bolsa de transporte de trípode
- Pedal
- Manual de usuario

Instrucciones de Desembalaje

Desembale el producto con cuidado inmediatamente y compruebe la caja para asegurarse de que todas las partes están en el paquete y en buen estado.

Reclamaciones

Si la caja o el contenido (el producto y los accesorios incluidos) parecen dañados a cause del transporte o muestran signos de manipulación inadecuada, notifíquese inmediatamente al transportista, y no a Chauvet. Si no lo hace oportunamente, puede quedar invalidada su reclamación al transportista.

Además, guarde la caja y todo el material de embalaje para su inspección.

Para otras incidencias, como componentes o partes que falten, daños no relacionados con el transporte o daños no evidentes, presente una reclamación a Chauvet en el plazo de 7 días de la entrega.

Convenciones del Manual

Convención	Significado
1–512	Un rango de valores
50/60	Un conjunto de valores de los cuales solo se puede escoger uno
Settings	Una opción de menú que no se puede modificar
<ENTER>	Una tecla que se tiene que pulsar en el panel de control del producto
ON	Un valor que se tiene que introducir o seleccionar

Símbolos

Símbolo	Significado
	Instalación, configuración o información sobre funcionamiento crítica. Hacer caso omiso de esta información puede hacer que el producto no funcione, que se averíe, o causar daños al usuario.
	Instalación o información de configuración importante. El producto puede no funcionar correctamente si esta información no se usa.
	Información útil.
	Notas de seguridad sobre láser.

Exención de responsabilidad

Chauvet cree que la información contenida en este manual es exacta en todos los aspectos. Sin embargo, Chauvet no asume responsabilidad alguna, y queda exenta específicamente de todas y cada una de las responsabilidades y obligaciones, de la clase que sean y para con cualquier parte, por pérdida, perjuicio o trastorno causados por cualquier error u omisión en este documento, tanto si tales errores y omisiones se deben a negligencia o accidente como a cualquier otra causa. Chauvet se reserva el derecho a revisar el contenido de este documento sin ninguna obligación de notificar dicha revisión a ninguna persona o empresa; sin embargo, Chauvet no está en absoluto obligado a hacerlo así, ni se compromete a realizar revisión alguna. Descargue la última versión de www.chauvetdj.com.

Cumplimiento de la FCC

Este dispositivo cumple la parte 15, parte B de las normas FCC. El Funcionamiento está supeditado al cumplimiento de estas dos condiciones:

1. Este dispositivo no puede causar interferencias perjudiciales; y
2. Este dispositivo debe aceptar cualquier interferencia recibida, incluyendo las interferencias que puedan causar un funcionamiento no deseado.

Cualquier cambio o modificación que no haya sido expresamente autorizado por la parte responsable de conformidad puede anular la potestad del usuario para hacer funcionar el equipo.

Propiedad intelectual

Las obras de autoría contenidas en este manual, incluyendo, pero sin limitarse a ellas, todos los dibujos, textos e imágenes, son propiedad de Chauvet.

© Copyright 2023 Chauvet & Sons, LLC. Todos los derechos reservados.

Publicado en formato electrónico por Chauvet en los Estados Unidos de América.

CHAUVET, el logotipo de Chauvet y GigBAR MOVE + ILS son marcas comerciales o marcas registradas de Chauvet & Sons Inc. (con nombres comerciales Chauvet y Chauvet Lighting) en los Estados Unidos y otros países. Otras empresas, nombres de productos y logotipos a los que se haga referencia aquí pueden ser marcas comerciales de sus respectivas empresas.

Notas de Seguridad

Las Notas de seguridad incluyen información importante sobre seguridad del sistema láser. Lea y comprenda todas las instrucciones antes de encender el láser por primera vez. Conocer las instrucciones de seguridad es crucial para evitar lesiones oculares y para no infringir la ley. Mantenga este manual de usuario en un lugar seguro para futuras consultas.



DETÉNGASE Y LEA TODOS LOS DATOS DE SEGURIDAD



- Los láseres pueden ser peligrosos y tienen consideraciones de seguridad particulares. Puede producirse lesión ocular permanente y ceguera si los láseres se usan incorrectamente. Ponga máxima atención a todos los COMENTARIOS y ADVERTENCIAS de seguridad de este manual de usuario. Lea atentamente todas las instrucciones ANTES de poner en funcionamiento este dispositivo.
- Conecte siempre el producto a un circuito con toma de tierra para evitar el riesgo de electrocución.
- Desconecte siempre el producto de la alimentación antes de limpiarlo o sustituir el fusible.
- Evite la exposición directa de los ojos a la fuente de luz mientras el producto esté encendido.
- Asegúrese de que el cable de alimentación no está retorcido ni estropeado.
- Nunca desconecte este producto de la alimentación agarrando o tirando del cable.
- Si monta el producto en alto, asegure siempre a un dispositivo de seguridad usando cable de seguridad.
- Asegúrese de que no hay materiales inflamables cerca del producto cuando esté en funcionamiento.
- No toque la carcasa del producto cuando esté en funcionamiento, porque podría estar muy caliente.
- Este producto no está concebido para una instalación permanente.
- Asegúrese siempre de que la tensión del enchufe al que conecte el producto está en el rango establecido en el grabado o en el panel posterior del producto.
- ¡El producto es para uso en interiores solamente! (IP20) Para evitar riesgos de incendio o descarga, no exponga el producto a la lluvia o la humedad.
- Instale siempre el producto en una ubicación con ventilación adecuada, al menos a 20" (50 cm) de superficies adyacentes.
- Asegúrese de que ninguna ranura de ventilación en la carcasa del producto queda bloqueada.
- Nunca conecte el producto a un atenuador.
- Asegúrese de reemplazar el fusible por otro del mismo tipo y categoría.
- Use siempre el soporte de montaje para trasladar el producto.
- No Apague/Encienda el producto a intervalos cortos. Esto acortará la vida del diodo láser.
- NO sacuda este producto. Evite usar la fuerza bruta cuando monte o maneje el producto.
- Use SIEMPRE un cable de seguridad cuando monte este producto en lo alto.
- La temperatura ambiente operativa para el láser es de 59 °F a 95 °F (15 °C a 35 °C). No haga funcionar este producto fuera de este rango.
- En caso de un problema grave de funcionamiento, deje de usar el producto inmediatamente.
- Nunca intente reparar el producto. Las reparaciones llevadas a cabo por personal no cualificado pueden provocar averías o funcionamiento defectuoso. Póngase en contacto con el centro de asistencia técnica autorizado más cercano.



¡CUIDADO! El uso de controles, ajustes o procedimientos distintos a ESTOS que se especifican EN ESTE MANUAL DE USUARIO pueden causar exposición peligrosa a la radiación.



- Evite el contacto directo de los ojos con la luz del láser. Nunca exponga intencionadamente sus ojos o los de otras personas a la luz directa del láser.
- Este producto láser puede causar lesiones oculares al instante, o ceguera, si la luz del láser incide directamente en los ojos.
- Es ilegal y peligroso alumbrar con este láser zonas de espectadores en las que el público u otro personal pueda recibir rayos láser o reflejos de su brillo directamente en los ojos.
- En los EEUU es un delito federal dirigir cualquier láser hacia un avión.
- Para evitar un desgaste innecesario y alargar su vida útil, desconecte completamente el producto mediante el interruptor o desenchufándolo durante periodos en que no se use.
- NO intente ninguna reparación. Las reparaciones y la asistencia deben ser llevadas a cabo por un técnico autorizado. ¡Las modificaciones no autorizadas están prohibidas por motivos de seguridad!



Guarde este manual de usuario para futuras consultas. Si este producto pasa a ser propiedad de otro usuario, asegúrese de que este documento acompaña al láser.

Advertencia sobre Carcasa no Cerrada



- Esta unidad contiene internamente dispositivos láser de alta potencia.
- No abra la carcasa del láser, debido a la potencial exposición a niveles no seguros de radiación láser.
- Los niveles de láser a los que se tiene acceso si se abre la unidad pueden causar ceguera instantánea, quemaduras en la piel e incendios.

Notas de Seguridad sobre Láser



DETÉNGASE Y LEA TODAS LAS NOTAS DE SEGURIDAD SOBRE EL LÁSER SIGUIENTES



La luz láser es diferente de cualquier otra fuente de luz. La luz de este producto puede causar lesión ocular si el producto no se instala y usa adecuadamente. La luz láser es miles de veces más concentrada que la luz de cualquier otro tipo de fuente. Esta concentración de luz puede causar lesiones instantáneas en el ojo, fundamentalmente por quemadura de la retina (la zona sensible a la luz en la parte posterior del ojo). Aunque usted no pueda sentir el "calor" de un haz de láser, este puede aún potencialmente lesionar o cegar a usted o al público. Incluso cantidades de luz láser muy pequeñas son potencialmente peligrosas, incluso a largas distancias. Las lesiones oculares por láser pueden ocurrir más rápido de lo que se tarda en parpadear.

NO dé por supuesto que porque estos productos recreativos de láser dividan el láser en cientos de haces, y porque el haz de láser se lance a alta velocidad, es segura la exposición del ojo a un haz individual de láser. Este producto de láser utiliza docenas de milivatios de potencia láser (niveles clase 3B internamente) antes de dividirlo en múltiples haces (niveles clase 3R). Muchos de los haces individuales son potencialmente peligrosos para los ojos.

NO asuma que porque la luz láser está en movimiento, es segura. La luz láser no está nunca libre de riesgo, ni aunque el haz se mueva siempre. Puesto que las lesiones oculares pueden producirse instantáneamente, es crítico prevenir la posibilidad de CUALQUIER exposición directa al ojo. Según las disposiciones de seguridad láser, no es legal apuntar con láseres Clase 3a hacia áreas en las que las personas puedan quedar expuestas. Esto se aplica incluso si se apunta con el láser por debajo de las caras de la gente, por ejemplo hacia la pista de baile.

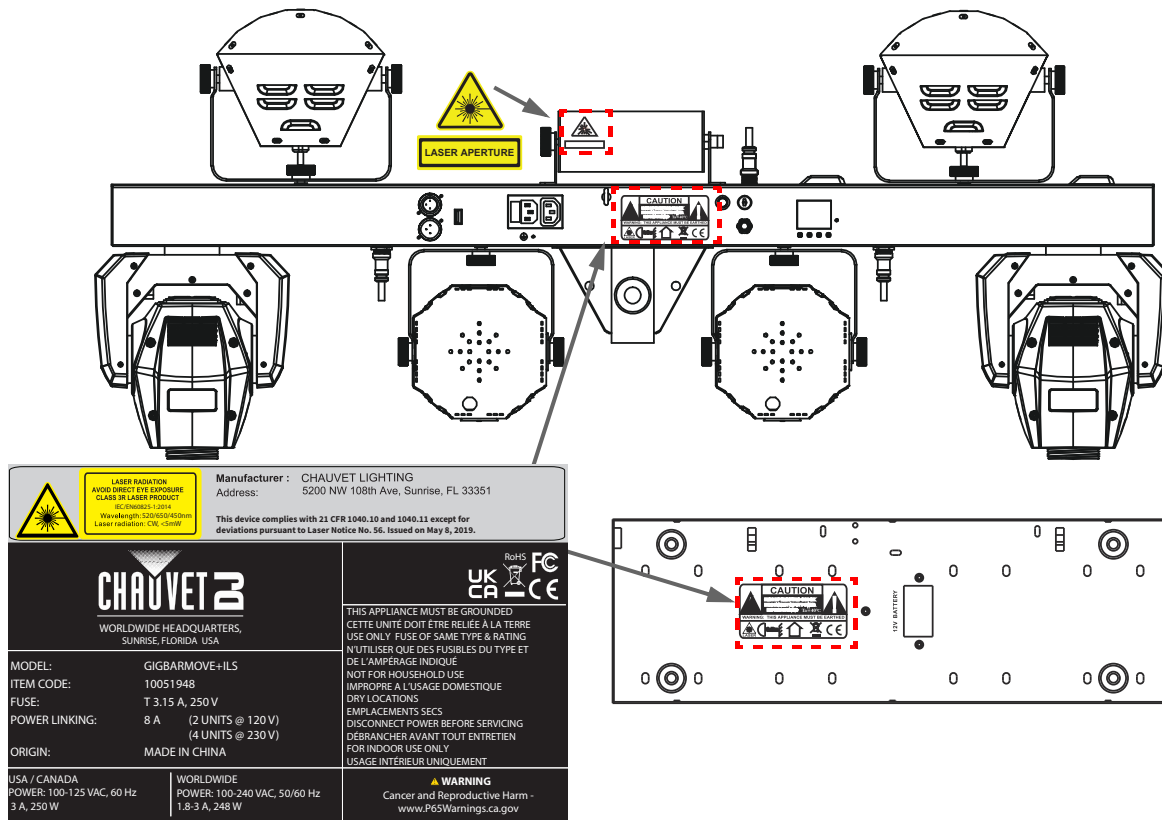
- No ponga en funcionamiento el láser sin primero leer y comprender todos los datos técnicos y de seguridad de este manual.
- Ubique e instale todos los efectos láser SIEMPRE de forma que toda la luz láser está al menos a 3 m (9,8 pies) sobre el nivel del suelo en el que se encuentra la gente. Vea la sección [Uso Adecuado](#) de este manual.
- que funciona adecuadamente. No lo use si detecta cualquier defecto.
- NO apunte con láser a personas o animales.
- Nunca mire a la apertura del láser o a los haces de láser.
- NO apunte con el láser hacia áreas en las que las personas pudieran quedar expuestas.
- NO apunte con láseres a superficies muy reflectantes como ventanas, espejos y metal pulido. Incluso los reflejos del láser pueden ser peligrosos.
- Nunca apunte con el láser a un avión, pues constituye delito según las leyes de EE.UU.
- Nunca apunte hacia el cielo con haces láser sueltos.
- No exponga la óptica de salida (apertura) a productos de limpieza químicos.
- No use el láser si la carcasa está averiada o abierta, o si la óptica parece dañada de cualquier modo.
- Nunca abra la carcasa del láser. Los altos niveles de potencia láser dentro de la carcasa protectora pueden originar incendios o quemaduras en la piel y causar lesiones oculares al instante.
- Nunca deje este producto en funcionamiento sin vigilancia.
- El funcionamiento de un láser de espectáculo de Clase 3R solo se permite si el espectáculo es controlado por un operador experimentado y bien formado, familiarizado con los datos contenidos en este manual.
- Los requisitos legales para usar productos de láser recreativo varían de un país a otro. El usuario es responsable de los requisitos legales del lugar/país en que lo utilice.



¡CUIDADO! NO ponga en funcionamiento este dispositivo en formas no especificadas en este manual de usuario. No seguir las instrucciones invalidará la garantía, podría dañar el producto o lesionar al usuario o al público.

¡CUIDADO! Este producto no se puede tirar con la basura doméstica. Póngase en contacto con el servicio de recogida para la eliminación de aparatos electrónicos de su zona.

Reproducción de la Etiqueta de Seguridad del Láser



Advertencia sobre Exposición al Láser



LUZ LÁSER EVITE LA EXPOSICIÓN DIRECTA AL OJO

Se pueden encontrar más directrices y programas de seguridad para el uso seguro de láseres en la Normativa ANSI Z136.1 “Para uso seguro de Láseres”, disponible en el Laser Institute of America: www.lia.org. Muchos gobiernos locales, corporaciones, agencias, ejército y otros requieren que todos los láseres se usen bajo las directrices de ANSI Z136.1. La guía Laser Display puede obtenerse de la International Laser Display Association: www.ilda.com.

Datos de Emisión Láser

Según medida bajo condiciones de medición IEC para clasificación.

Clasificación láser	Clase 3R
Láser Rojo Medio	LD/650 nm/80 mW
Láser Verde Medio	LD/520 nm/30 mW
Láser Azul Medio	LD/450 nm/80 mW
Diámetro del haz	<5 mm en la apertura
Datos de pulso	Todos los pulsos < 4 Hz (>0,25 s)
Divergencia (cada haz)	<2 mrad
Divergencia (luz total)	<160 grados
Potencia láser de cada haz en la apertura*	<5 mW

*Según medida bajo condiciones de medición IEC para clasificación.

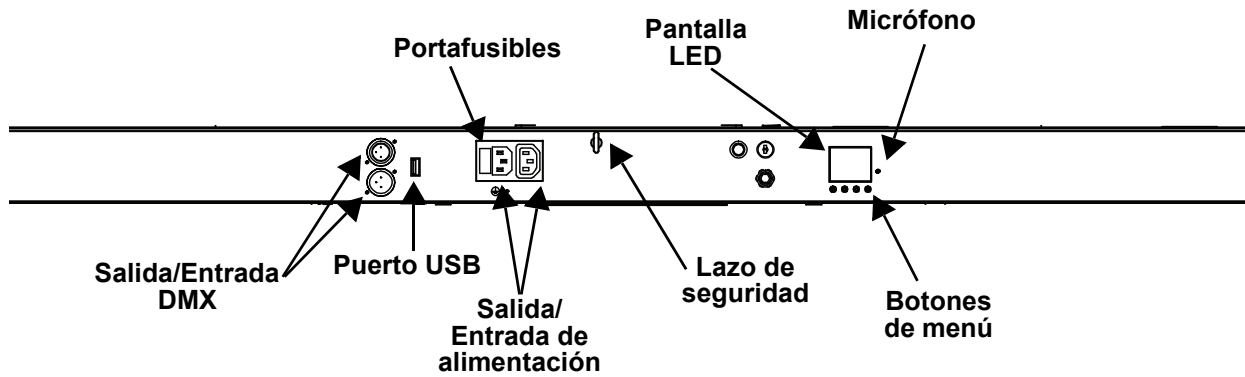
Declaración de Conformidad Láser

Cumple con los estándares de desempeño de la FDA para productos láser, excepto por las desviaciones según el Laser Notice No. 56, del 08 de mayo de 2019. No es necesario ningún mantenimiento para que este producto siga cumpliendo los estándares de rendimiento láser.

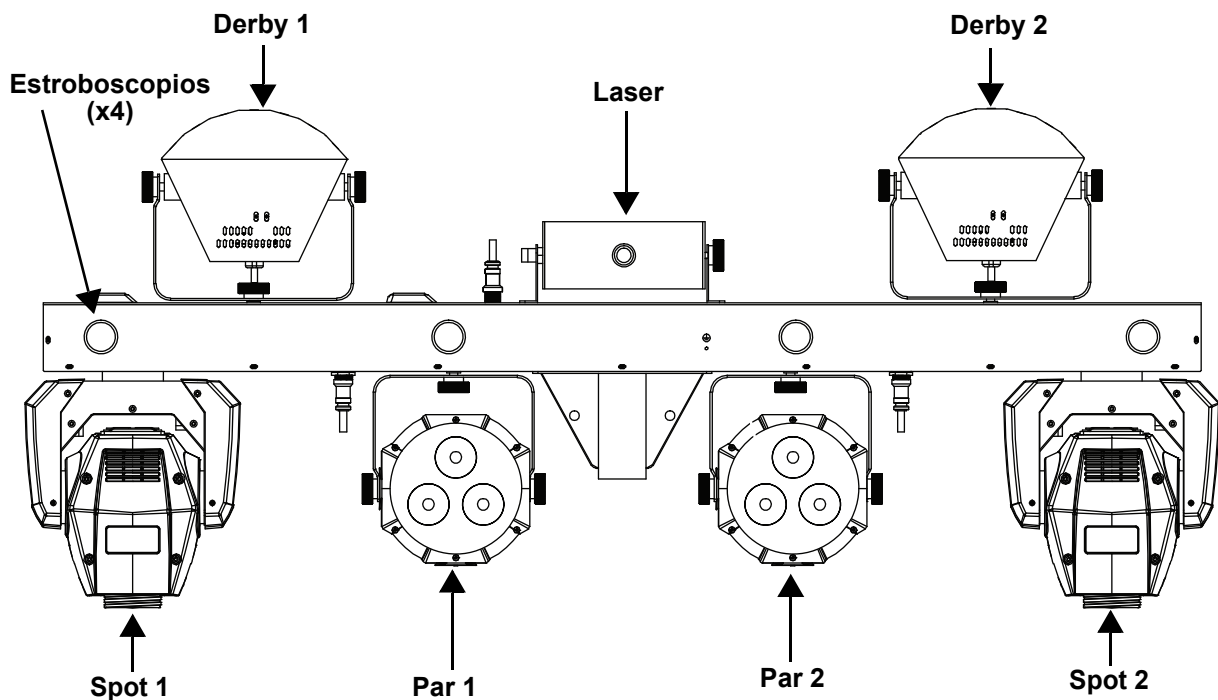
2. Introducción

Vista general del producto

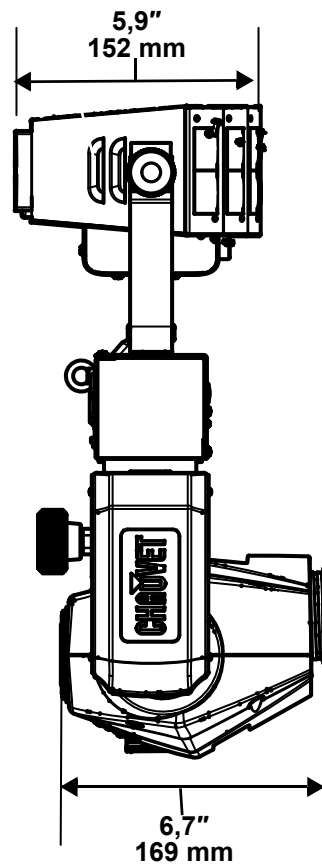
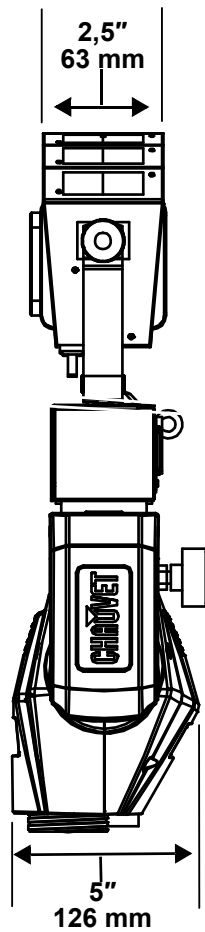
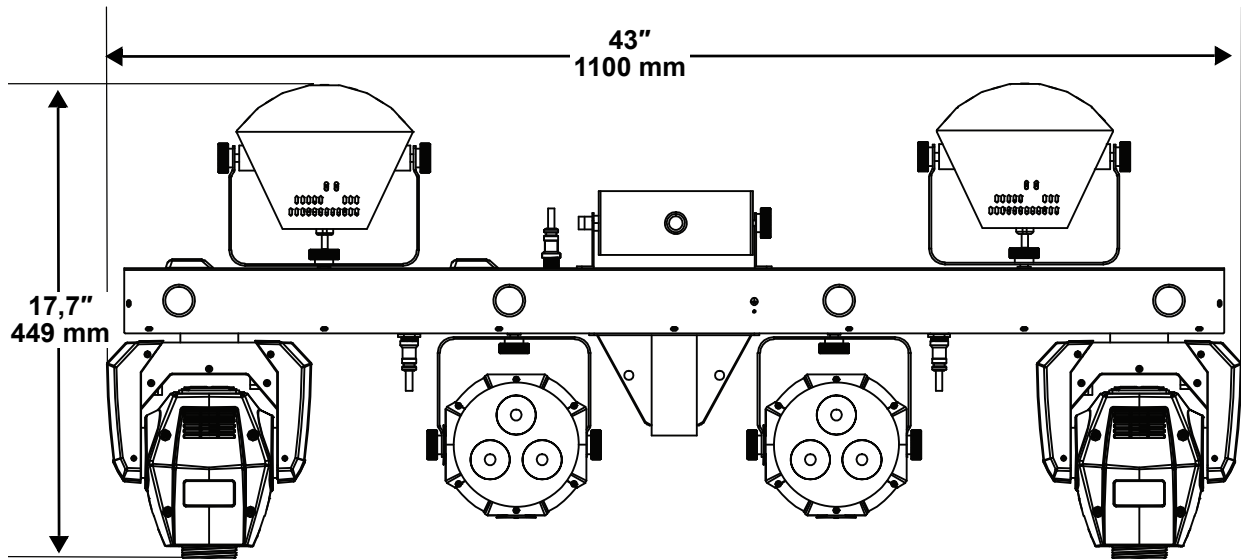
Vista del panel posterior



Vista del panel frontal



Dimensiones del producto



3. Instalación

Corriente alterna

El GigBAR MOVE + ILS tiene una fuente de alimentación con detección automática que puede funcionar con un rango de tensión de entrada de 100 a 240 VCA, 50/60 Hz.

Para determinar los requerimientos de alimentación (disyuntor, toma de alimentación y cableado), use el valor de tensión que aparece en la etiqueta fijada en el panel trasero del producto o consulte la tabla de especificaciones del producto. La especificación de corriente listada indica el consumo de corriente promedio en condiciones normales.



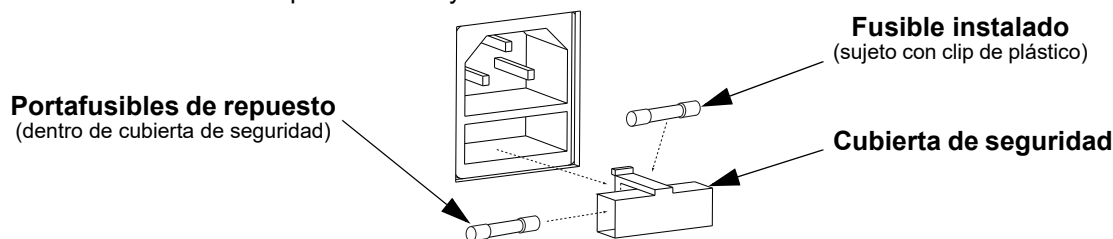
- **Conecte siempre el producto a un circuito protegido (disyuntor o fusible). Asegúrese de que el producto tiene una toma de tierra adecuada para evitar el riesgo de electrocución o incendio.**
- **Para evitar un desgaste innecesario y alargar su vida útil, desconecte complemente el producto de la alimentación, mediante el interruptor o desenchufándolo, durante los periodos en los que no se use.**



Nunca conecte el producto a un reostato (resistor variable) o circuito de atenuación, incluso si el canal del reostato o atenuador sirve solo como conmutador 0 a 100%.

Sustitución del fusible

1. Desconecte el producto de la alimentación.
2. Haga cuña con la punta de un destornillador plano en la ranura del portafusibles.
3. Saque la tapa de seguridad de la carcasa.
4. Quite el fusible fundido de la sujeción en la parte frontal de la tapa de seguridad y sustituya el fusible con otro del mismo tipo y categoría.
5. Vuelva a insertar el portafusibles y conecte de nuevo la alimentación.



Desconecte el producto de la alimentación antes de sustituir el fusible.

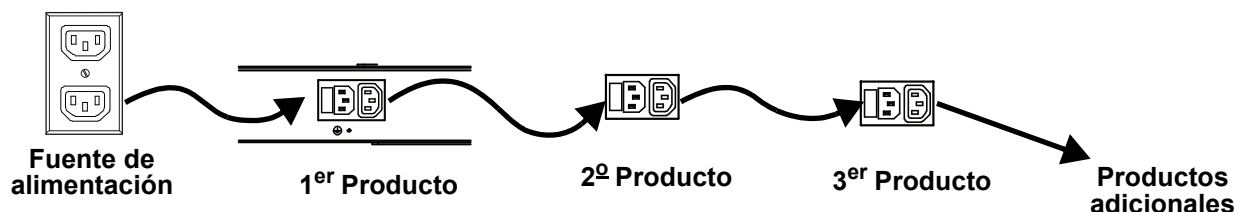


Sustituya siempre el fusible fundido con uno del mismo tipo y categoría.

Alimentación en cadena

El producto proporciona la alimentación en cadena vía la salida de Edison situada en la parte posterior del producto. Consulte el diagrama a continuación para obtener más información.

Diagrama de alimentación en cadena



Se pueden alimentar en cadena hasta 2 productos GigBAR MOVE + ILS a 120 VAC, y hasta 4 productos GigBAR MOVE + ILS se pueden alimentar en cadena a 230 VAC.

Conexión ILS

El ILS (Integrated Lighting System) dispone de 4 modos que se sincronizan con el GigBAR MOVE + ILS: los modos 1 y 3 se sincronizan con el lado 1 del GigBAR MOVE+ILS, mientras que los modos 2 y 4 se sincronizan con el lado 2 del GigBAR MOVE + ILS. Cuando estén vinculados, los efectos se sincronizarán con el efecto más parecido del lado seleccionado del GigBAR MOVE + ILS: los efectos de Kinta se sincronizarán con uno de los Kintas, las cabezas móviles se sincronizarán con una de las cabezas móviles y los efectos de baño de luz se sincronizarán con uno de los reflectores. Los efectos láser se sincronizarán con el láser y los efectos de estroboscopia se sincronizarán con los efectos de estroboscopia, independientemente del modo del ILS.

Montaje

Antes de montar el producto, lea y siga las recomendaciones de seguridad indicadas en las [Notas de Seguridad](#).

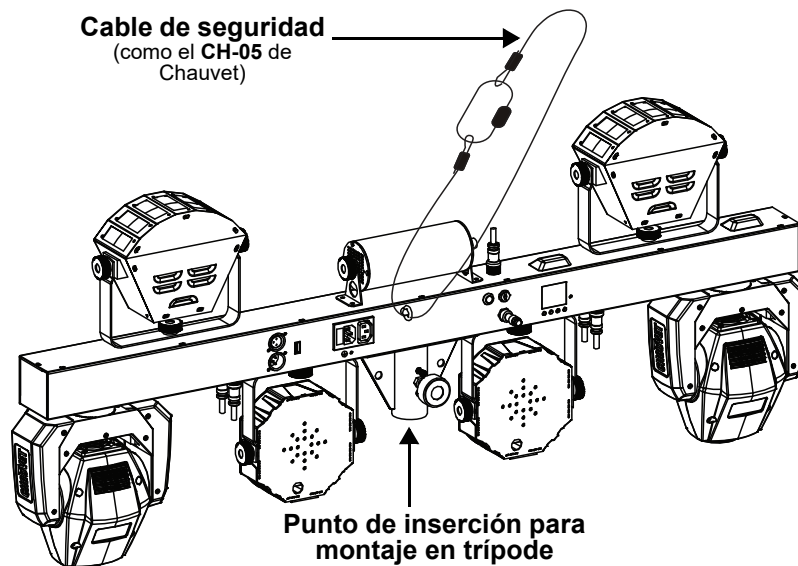
Orientación

El GigBAR MOVE + ILS se debe montar en un posición preparada para uso seguro de láser. Además, asegúrese de proporcionar una ventilación adecuada alrededor del producto.

Colocación

- Antes de decidir una ubicación para el producto, asegúrese siempre de que hay fácil acceso al producto para su mantenimiento y programación.
- Asegúrese de que la estructura o superficie sobre la que está montando el producto puede soportar su peso (vea las [Especificaciones Técnicas](#))
- Cuando monte este producto en alto, use siempre un cable de seguridad. Monte el producto con seguridad a un punto de anclaje, como una plataforma elevada o un truss.
- Cuando cuelgue el producto de un truss, debe usar una abrazadera de montaje con la resistencia al peso adecuada.
- Los mandos de ajuste del soporte permiten el ajuste direccional para dirigir el producto hacia el ángulo deseado. Apriete y afloje los mandos de soporte únicamente con la mano. Usar herramientas podría estropear los mandos.

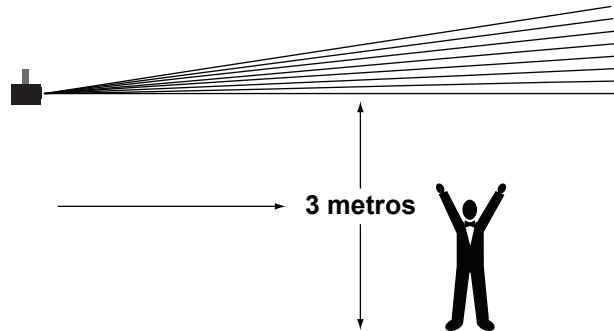
Diagrama de montaje



Uso Adecuado

Este producto es para montaje en alto solamente. Por seguridad, Chauvet recomienda montar los productos de efectos de iluminación sobre plataformas estables y elevadas, o en soportes en alto sólidos utilizando abrazaderas apropiadas para colgar. En todos los casos, utilice cables de seguridad. Obtenga el material de fijación apropiado de su proveedor de iluminación.

Las disposiciones internacionales de seguridad láser precisan que los productos de láser se manejen de la forma mostrada a continuación, con una separación vertical mínima de 3 metros (9,8 pies) entre el suelo y la luz láser más baja. Además, se requiere una separación horizontal de 3 metros entre la luz láser y los espectadores u otros espacios públicos.



¡CUIDADO! El uso de controles, ajustes o procedimientos distintos a LOS que se especifican EN ESTE MANUAL DE USUARIO pueden causar exposición peligrosa a la radiación.

4. Funcionamiento

Este producto no está diseñado para un uso continuo. Asegúrese de que hace descansos regulares durante su funcionamiento para maximizar la vida de su láser. Desconecte siempre el GigBAR MOVE + ILS de la alimentación cuando no lo use.

Funcionamiento del panel de control

Para acceder a las funciones del panel de control, use los cuatro botones ubicados bajo la pantalla. Consulte la [Vista general del producto](#) para ver la posición de los botones en el panel de control.

Botón	Función
<MENU>	Sale del menú o función actual
<UP>	Navega hacia arriba por la lista de menú o aumenta un valor numérico seleccionado
<DOWN>	Navega hacia abajo por la lista de menú o disminuye un valor numérico seleccionado
<ENTER>	Habilita el menú actualmente en pantalla o configura el valor seleccionado actualmente dentro de la función seleccionada

Mapa de menú

Consulte la página del producto GigBAR MOVE + ILS en www.chauvetdj.com para ver el último mapa de menú.

Modo	Niveles de programación		Descripción	
AUTO	Program	Mix	1-4	Selecciona el show del efecto mezclado automático
		Spots	1	Selecciona los shows de yugos móviles automático
		Strobe	1	Selecciona los shows de estroboscopia automático
		Laser	1	Selecciona el show del láser automático
		Derby	1	Selecciona el show del Derby automático
		Par	1	Selecciona el show del foco
		S+SP	1	Selecciona los shows de estroboscopia y yugos móviles automático
		L+SP	1	Selecciona los shows de láser y yugos móviles automático
		LS	1	Selecciona los shows de láser y estroboscopia automático
		D+SP	1	Selecciona los shows de Derby y yugos móviles automático
		DS	1	Selecciona los shows de Derby y estroboscopia automático
		DL	1	Selecciona los shows de Derby y láser automático
		P+SP	1	Selecciona los shows de foco y yugos móviles automático
		PS	1	Selecciona los shows de foco y estroboscopia automático
		PL	1	Selecciona los shows de foco y láser automático
		PD	1	Selecciona los shows de foco y Derby automático
		PS+SP	1	Selecciona los shows de foco, estroboscopia, y yugos móviles automático
		PL+SP	1	Selecciona los shows de foco, láser, y yugos móviles automático
		PLS	1	Selecciona los shows de foco, láser, y estroboscopia automático
		PD+SP	1	Selecciona los shows de foco, Derby, y yugos móviles automático
		PDS	1	Selecciona los shows de foco, Derby, y estroboscopia automático
		PDL	1	Selecciona los shows de foco, Derby, y láser automático
		DLS+SP	1	Selecciona los shows de Derby, láser, estroboscopia, y yugos móviles automático
		PLS+SP	1	Selecciona los shows de foco, láser, estroboscopia, y yugos móviles automático
		PDS+SP	1	Selecciona los shows de foco, Derby, estroboscopia, y yugos móviles automático
		PDL+SP	1	Selecciona los shows de foco, Derby, láser, y yugos móviles automático
		PDLS	1	Selecciona los shows de foco, Derby, láser, y estroboscopia automático
Mode	Snap/Fade		Selecciona la transición entre programas automáticos	
Speed	0-99		Establece la velocidad del programa automático	

Modo		Niveles de programación	Descripción	
AUTO (cont.)	Spots XY Speed	0–99	Ajusta la velocidad de giro e inclinación de los Spots	
	Dimmer	0–255	Ajusta el atenuador	
	Strobe	0–20	Selecciona la luz estroboscópica	
	Program Time	1–255 (seconds)	Establece el tiempo del programa	
Pars Color	Tri		El programa automático solo utilizará los colores rojo, verde y azul	
	Quad		El programa automático solo utilizará los colores rojo, verde, azul y ámbar	
	Hex		El programa automático utilizará todos los colores	
SOUND	Program	Mix	1–4	Configura efectos mixtos en modo de sonido
		Spots	1	Configura yugos móviles en modo Sonido
		Strobe	1	Configura estroboscopia en modo Sonido
		Laser	1	Configura láser en modo Sonido
		Derby	1	Configura Derby en modo Sonido
		Par	1	Configura focos en modo Sonido
		S+SP	1	Configura estroboscopia y yugos móviles en modo Sonido
		L+SP	1	Configura láser y yugos móviles en modo Sonido
		LS	1	Configura láser y estroboscopia en modo Sonido
		D+SP	1	Configura Derby y yugos móviles en modo Sonido
		DS	1	Configura Derby y estroboscopia en modo Sonido
		DL	1	Configura Derby y láser en modo Sonido
		P+SP	1	Configura focos y yugos móviles en modo Sonido
		PS	1	Configura focos y estroboscopia en modo Sonido
		PL	1	Configura focos y láser en modo Sonido
		PD	1	Configura focos y Derby en modo Sonido
		PS+SP	1	Configura focos, estroboscopia y yugos móviles en modo Sonido
		PL+SP	1	Configura focos, láser y yugos móviles en modo Sonido
		PLS	1	Configura focos, láser y estroboscopia en modo Sonido
		PD+SP	1	Configura focos, Derby y yugos móviles en modo Sonido
		PDS	1	Configura focos, Derby y estroboscopia en modo Sonido
		PDL	1	Configura focos, Derby y láser en modo Sonido
		DLS+SP	1	Configura Derby, láser, estroboscopia y yugos móviles en modo Sonido
		PLS+SP	1	Configura Derby, láser, estroboscopia y yugos móviles en modo Sonido
PDS+SP	1	Configura focos, Derby, estroboscopia y yugos móviles en modo Sonido		
PDL+SP	1	Configura focos, Derby, láser y yugos móviles en modo Sonido		
PDLS	1	Configura focos, Derby, láser y estroboscopia en modo Sonido		

Modo		Niveles de programación	Descripción		
SOUND	Sensitivity	0–99	Establece la sensibilidad del sonido		
	Spot Speed	0	Activa las cabezas móviles con sonido		
		1–99	Ajusta la velocidad del cabezal móvil, de lenta a rápida		
	Dimmer	0–255	Ajusta el atenuador		
	Strobe	0–20	Selecciona la luz estroboscópica		
	Program Time	1–255 (seconds)	Establece el tiempo del programa		
	Sound Lost	Slow		El par, derby, láser y estroboscopio se detendrán en la última configuración. El color/gobo de los cabezales móviles se detendrá en la última configuración y el movimiento se realizará lentamente.	
		Freeze		Toda la barra se congelará en la última configuración.	
		Blackout		Toda la barra se apagará.	
	Pars Color	Tri		El programa automático solo utilizará los colores rojo, verde y azul	
Quad			El programa automático solo utilizará los colores rojo, verde, azul y ámbar		
Hex			El programa automático utilizará todos los colores		
Manual Mode	Par Red Par Green Par Blue Par Amber Par White Par UV	0–255	Selecciona el color Par		
	Derby Red Derby Green Derby Blue Derby White Derby Motor		Selecciona el color Derby		
	Laser		Gira el LED en sentido horario o antihorario Enciende y apaga el láser manualmente		
	Flash Dimmer		Ajusta el atenuador del LED blanco		
	Pan		Ajusta el ángulo de panorámico		
	Tilt		Ajusta el ángulo de inclinación		
	Color		Selecciona el color manualmente		
	Gobo		Selecciona el gobo manualmente		
	Dimmer		Ajusta el brillo		
	Shutter		Ajusta el obturador		
	DMX		DMX	3CH	Selecciona el canal DMX
				30CH	
52CH					
Address		001–510	Selecciona la dirección de inicio DMX		
	Slave		Modo esclavo		

Modo	Niveles de programación	Descripción	
SETUP	RF	COMMON	Habilita el control del aparato utilizando cualquier mando a distancia por RF
		BIND	Habilita el control del GigBAR MOVE + ILS utilizando solo el mando a distancia por RF emparejado con el aparato
		OFF	Apaga los infrarrojos
	RF Binding		Empareja un mando a distancia por RF con un aparato GigBAR MOVE + ILS en concreto (Pulse y mantenga pulsado el botón Blackout del mando a distancia por RF)
	FOOT	COMMON	Habilita el control del aparato utilizando cualquier pedal
		BIND	Habilita el control del GigBAR MOVE + ILS utilizando solo el pedal emparejado con el aparato
		OFF	Apaga el control del pedal
	FOOT Binding		Empareja un pedal con un aparato GigBAR MOVE + ILS en concreto (Pulse y mantenga pulsado el botón Blackout del pedal)
	DFI	OFF	Desactiva DFI
		RX	Activa/desactiva la recepción de la señal DFI
		TX	Activa/desactiva la transmisión de la señal DFI
	DFI CH	1-16	Selecciona el canal DFI
	Pan1 Reverse	ON	Activa / desactiva Spot 1 panorámica inversa
		OFF	
	Tilt1 Reverse	ON	Activa / desactiva Spot 1 inclinación inversa
		OFF	
	Pan2 Reverse	ON	Activa / desactiva Spot 2 panorámica inversa
		OFF	
	Tilt2 Reverse	ON	Activa / desactiva Spot 2 inclinación inversa
		OFF	
RESET	NO	Reincia a la configuración de fábrica	
	YES		



- El valor de DMX se mostrará en blanco si no recibe la señal DMX y se mostrará en amarillo si recibe la señal DMX.
- La pantalla del menú se apagará si no hay ninguna operación en 60 segundos.
- En el modo DMX, el aparato guardará los últimos ajustes cuando se pierda la señal DMX. Cuando esté en modo principal/secundario, se apagará cuando se pierda la señal DMX.

Configuración (Independiente)

Configure el producto en uno de los modos independientes para controlarlo sin controlador DMX.



Nunca conecte un producto que está funcionando en cualquier modo independiente a una línea DMX conectada a un controlador DMX. Los productos en modo independiente pueden transmitir señales DMX que podrían interferir con las señales DMX del controlador.

Modo Efecto Mezclado Automático

Para hacer funcionar el GigBAR MOVE + ILS en modo automático, siga las instrucciones siguientes:

1. Pulse **<MENU>** para ver el menú principal en la pantalla.
2. Utilice **<UP>** o **<DOWN>** hasta que se seleccione **AUTO**.
3. Pulse **<ENTER>**.
4. Utilice **<UP>** o **<DOWN>** para seleccionar **Program**.
5. Pulse **<ENTER>**.
6. Utilice **<UP>** o **<DOWN>** para seleccionar entre las opciones de Programa automático: **Mix, Spots, Strobe, Laser, Derby, Par, S+SP, L+SP, LS, D+SP, DS, DL, P+SP, PS, PL, PD, PS+SP, PL+SP, PLS, PD+SP, PDS, PDL, DLS+SP, PLS+SP, PDS+SP, PDL+SP, o PDLS**.
7. Pulse **<ENTER>**.
8. Utilice **<UP>** o **<DOWN>** para seleccionar **Mode**.
9. Pulse **<ENTER>**.
10. Utilice **<UP>** o **<DOWN>** para seleccionar entre **Snap** (transición instantánea entre programas) y **Fade** (transición con fundido entre programas).
11. Pulse **<ENTER>**.
12. Utilice **<UP>** o **<DOWN>** para seleccionar **Speed**.
13. Utilice **<UP>** o **<DOWN>** para ajustar la velocidad de programa automático **0–99**.
14. Pulse **<ENTER>**.

Modo Efecto Mezclado de Sonido Activo por Sonido

Para habilitar el modo de efecto mezclado de sonido (todo Activo por sonido), haga lo siguiente:

1. Pulse **<MENU>** para ver el menú principal en la pantalla.
2. Utilice **<UP>** o **<DOWN>** hasta que se seleccione **SOUND**.
3. Pulse **<ENTER>**.
4. Utilice **<UP>** o **<DOWN>** para seleccionar **Program**.
5. Pulse **<ENTER>**.
6. Utilice **<UP>** o **<DOWN>** para seleccionar entre las opciones de Programa automático: **Mix, Spots, Strobe, Laser, Derby, Par, S+SP, L+SP, LS, D+SP, DS, DL, P+SP, PS, PL, PD, PS+SP, PL+SP, PLS, PD+SP, PDS, PDL, DLS+SP, PLS+SP, PDS+SP, PDL+SP, o PDLS**.
7. Pulse **<ENTER>**.

Sensibilidad al sonido

Para configurar la sensibilidad al sonido en el GigBAR MOVE + ILS, siga las instrucciones siguientes:

1. Pulse **<MENU>** para ver el menú principal en la pantalla.
2. Utilice **<UP>** o **<DOWN>** hasta que se seleccione **SOUND**.
3. Pulse **<ENTER>**.
4. Utilice **<UP>** o **<DOWN>** para seleccionar **Sensitivity**.
5. Pulse **<ENTER>**.
6. Utilice **<UP>** o **<DOWN>** para ajustar la sensibilidad del sonido **0–99**.
7. Pulse **<ENTER>**.



- El producto solo responderá a bajas frecuencias en la música (graves y percusión).
- En modo Activo por Sonido, el láser se quedará en oscuro tras 3 segundos de silencio o con el sonido por debajo del nivel de sensibilidad configurado.

Atenuador

Para ajustar el atenuador en la GigBAR MOVE + ILS, haga lo siguiente:

1. Pulse **<MENU>** para ver el menú principal en la pantalla.
2. Utilice **<UP>** o **<DOWN>** hasta que se seleccione **AUTO** o **SOUND**.
3. Pulse **<ENTER>**.
4. Utilice **<UP>** o **<DOWN>** para seleccionar **Dimmer**.
5. Pulse **<ENTER>**.
6. Utilice **<UP>** o **<DOWN>** para ajustar la sensibilidad del sonido **0–255**.
7. Pulse **<ENTER>**.

Estroboscopio

Para ajustar el estroboscopio en la GigBAR MOVE + ILS, siga las instrucciones siguientes:

1. Pulse **<MENU>** para ver el menú principal en la pantalla.
2. Utilice **<UP>** o **<DOWN>** hasta que se seleccione **AUTO** o **SOUND**.
3. Pulse **<ENTER>**.
4. Utilice **<UP>** o **<DOWN>** para seleccionar **Strobe**.
5. Pulse **<ENTER>**.
6. Utilice **<UP>** o **<DOWN>** para ajustar el estroboscopio **0–20**.
7. Pulse **<ENTER>**.

Tiempo de programa

Para ajustar el tiempo de programa en la GigBAR MOVE + ILS, haga lo siguiente:

1. Pulse **<MENU>** para ver el menú principal en la pantalla.
2. Utilice **<UP>** o **<DOWN>** hasta que se seleccione **AUTO** o **SOUND**.
3. Pulse **<ENTER>**.
4. Utilice **<UP>** o **<DOWN>** para seleccionar **Program Time**.
5. Pulse **<ENTER>**.
6. Utilice **<UP>** o **<DOWN>** para ajustar el temporizador **0–20**.
7. Pulse **<ENTER>**.

Colores de pars

Para establecer qué colores mostrará el pars cuando se establezca en programación automática, siga las instrucciones siguientes:

1. Pulse **<MENU>** para ver el menú principal en la pantalla.
2. Utilice **<UP>** o **<DOWN>** hasta que se seleccione **AUTO** o **SOUND**.
3. Pulse **<ENTER>**.
4. Utilice **<UP>** o **<DOWN>** para seleccionar **Pars Color**.
5. Pulse **<ENTER>**.
6. Utilice **<UP>** o **<DOWN>** para seleccionar **Tri** (usar RVA), **Quad** (usar RVAA) o **Hex** (usar todos los colores).
7. Pulse **<ENTER>**.

Velocidad puntual

Para controlar manualmente la velocidad del cabezal móvil en el modo de sonido activo en la GigBAR MOVE + ILS, haga lo siguiente:

1. Pulse **<MENU>** para ver el menú principal en la pantalla.
2. Utilice **<UP>** o **<DOWN>** hasta que se seleccione **SOUND**.
3. Pulse **<ENTER>**.
4. Utilice **<UP>** o **<DOWN>** para seleccionar **Spot Speed**.
5. Pulse **<ENTER>**.
6. Utilice **<UP>** o **<DOWN>** para ajustar la velocidad del cabezal móvil, de **0** (sonido activo) o **1–99** (velocidad manual, de lenta a rápida).
7. Pulse **<ENTER>**.

Pérdida de sonido

Para establecer lo que hará toda la barra cuando se pierda el sonido, siga las instrucciones siguientes:

1. Pulse **<MENU>** para ver el menú principal en la pantalla.
2. Utilice **<UP>** o **<DOWN>** hasta que se seleccione **SOUND**.
3. Pulse **<ENTER>**.
4. Utilice **<UP>** o **<DOWN>** para seleccionar **Sound Lost**.
5. Pulse **<ENTER>**.
6. Utilice **<UP>** o **<DOWN>** para seleccionar **Slow** (el par, derby, láser y estroboscopio se detendrán en la última configuración. El color/gobo de los cabezales móviles se detendrá en la última configuración y el movimiento se realizará lentamente), **Freeze** (toda la barra se congelará en la última configuración) o **Blackout** (toda la barra se apagará).
7. Pulse **<ENTER>**.

Funcionamiento

Paneo inverso

Para ajustar manualmente la orientación del paneo en GigBAR MOVE + ILS, haga lo siguiente:

1. Pulse **<MENU>** para ver el menú principal en la pantalla.
2. Utilice **<UP>** o **<DOWN>** hasta que se seleccione **SETUP**.
3. Pulse **<ENTER>**.
4. Utilice **<UP>** o **<DOWN>** para seleccionar **Pan1 Reverse** (por Spot 1) o **Pan2 Reverse** (por Spot 2).
5. Pulse **<ENTER>**.
6. Utilice **<UP>** o **<DOWN>** para seleccionar **OFF** (movimiento panorámico normal) o **ON** (movimiento panorámico invertido).
7. Pulse **<ENTER>**.

Inclinación inversa

Para ajustar manualmente la orientación de la inclinación en GigBAR MOVE + ILS, siga las instrucciones siguientes:

1. Pulse **<MENU>** para ver el menú principal en la pantalla.
2. Utilice **<UP>** o **<DOWN>** hasta que se seleccione **SETUP**.
3. Pulse **<ENTER>**.
4. Utilice **<UP>** o **<DOWN>** para seleccionar **Tilt1 Reverse** (por Spot 1) o **Tilt2 Reverse** (por Spot 2).
5. Pulse **<ENTER>**.
6. Utilice **<UP>** o **<DOWN>** para seleccionar **OFF** (movimiento de inclinación normal) o **ON** (movimiento de inclinación invertido).
7. Pulse **<ENTER>**.

Rango de paneo

Para fijar el ángulo máximo del paneo en GigBAR MOVE + ILS, haga lo siguiente:

1. Pulse **<MENU>** para ver el menú principal en la pantalla.
2. Utilice **<UP>** o **<DOWN>** hasta que se seleccione **SETUP**.
3. Pulse **<ENTER>**.
4. Utilice **<UP>** o **<DOWN>** para seleccionar **Pan Range**.
5. Pulse **<ENTER>**.
6. Utilice **<UP>** o **<DOWN>** para ajustar el ángulo de panorámica desde **180** (180°), **360** (360°) o hasta **540** (540°).
7. Pulse **<ENTER>**.

Rango de inclinación

Para ajustar el ángulo máximo de inclinación en GigBAR MOVE + ILS, siga las instrucciones siguientes:

1. Pulse **<MENU>** para ver el menú principal en la pantalla.
2. Utilice **<UP>** o **<DOWN>** hasta que se seleccione **SETUP**.
3. Pulse **<ENTER>**.
4. Utilice **<UP>** o **<DOWN>** para seleccionar **Tilt Range**.
5. Pulse **<ENTER>**.
6. Utilice **<UP>** o **<DOWN>** para ajustar el ángulo de inclinación, desde **270** (270°), **180** (180°) o **90** (90°).
7. Pulse **<ENTER>**.

Restablecimiento de fábrica

Para restablecer funciones específicas o todo el producto, haga lo siguiente:

1. Pulse **<MENU>** para ver el menú principal en la pantalla.
2. Utilice **<UP>** o **<DOWN>** hasta que se seleccione **SETUP**.
3. Pulse **<ENTER>**.
4. Utilice **<UP>** o **<DOWN>** para seleccionar **RESET**.
5. Pulse **<ENTER>**.
6. Utilice **<UP>** o **<DOWN>** para seleccionar **YES** (restablecer la configuración del producto) o **NO** (para cancelar).
7. Pulse **<ENTER>**.

Configuración (DMX)

El GigBAR MOVE + ILS funciona con un controlador DMX. La información sobre DMX se encuentra en el Manual DMX de CHAUVET, disponible desde el sitio web de Chauvet: http://www.chauvetlighting.com/downloads/DMX_Primer_rev05_WO.pdf.

Dirección de inicio

Cuando seleccione una dirección DMX de inicio, tenga en cuenta siempre el número de canales DMX que usa el modo seleccionado. Si escoge una dirección de inicio que es demasiado alta, podría estar restringiendo el acceso a alguno de los canales del producto.

El GigBAR MOVE + ILS usa hasta 3 canales DMX, lo cual determina que la dirección más alta que se puede configurar es **461**.

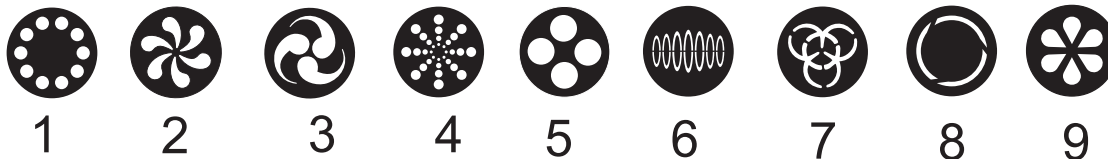
Si no está familiarizado con el protocolo DMX, descargue el Manual DMX de www.chauvetdj.com.

Para seleccionar la dirección de inicio, haga lo siguiente:

1. Pulse **<MENU>** para ver el menú principal en la pantalla.
2. Use **<UP>** o **<DOWN>** hasta que se seleccione **DMX**.
3. Pulse **<ENTER>**.
4. Pulse **<ENTER>** de nuevo.
5. Use **<UP>** o **<DOWN>** para seleccionar el canal DMX: **3CH**, **30CH**, o **52CH**.
6. Pulse **<ENTER>**.
7. Use **<UP>** o **<DOWN>** hasta que se seleccione **Address**.
8. Pulse **<ENTER>**.
9. Use **<UP>** o **<DOWN>** para aumentar o disminuir la dirección de inicio.

Valores y asignaciones de canal DMX

Gobos



52 canales

Canal	Función	Valor	Porcentaje/Configuración
1	Control de Par 1	000 ⇔ 255	Par 1 rojo, DIM
2		000 ⇔ 255	Par 1 verde, DIM
3		000 ⇔ 255	Par 1 azul, DIM
4		000 ⇔ 255	Par 1 ambra, DIM
5		000 ⇔ 255	Par 1 blanco, DIM
6		000 ⇔ 255	Par 1 UV, DIM
7		000 ⇔ 250	Foco 1 velocidad estroboscópio, lenta a rápida
		251 ⇔ 255	Foco 1 estroboscopia por sonido
8	Control de Par 2	000 ⇔ 255	Par 2 rojo, DIM
9		000 ⇔ 255	Par 2 verde, DIM
10		000 ⇔ 255	Par 2 azul, DIM
11		000 ⇔ 255	Par 2 ambra, DIM
12		000 ⇔ 255	Par 2 blanco, DIM
13		000 ⇔ 255	Par 2 UV, DIM
14		000 ⇔ 250	Foco 2 velocidad estroboscópio, lenta a rápida
		251 ⇔ 255	Foco 2 estroboscopia por sonido
15	Control de Derby 1	000 ⇔ 255	Derby 1 rojo
16		000 ⇔ 255	Derby 1 verde
17		000 ⇔ 255	Derby 1 azul
18		000 ⇔ 255	Derby 1 blanco
19		000 ⇔ 250	Velocidad estroboscópio, lenta a rápida
		251 ⇔ 255	Estroboscopia por sonido
20	000	Sin función	
	001 ⇔ 127	Giro en sentido horario, lento a rápido	
	128	Sin función	
	129 ⇔ 255	Rotar en sentido antihorario, lento a rápido	
21	Control de Derby 2	000 ⇔ 255	Derby 2 rojo
22		000 ⇔ 255	Derby 2 verde
23		000 ⇔ 255	Derby 2 azul
24		000 ⇔ 255	Derby 2 blanco
25		000 ⇔ 250	Velocidad estroboscópio, lenta a rápida
		251 ⇔ 255	Estroboscopia por sonido
26	000	Sin función	
	001 ⇔ 127	Giro en sentido horario, lento a rápido	
	128	Sin función	
	129 ⇔ 255	Rotar en sentido antihorario, lento a rápido	

Canal	Función	Valor	Porcentaje/Configuración
27	Flash	000 ⇔ 255	Atenuador del LED blanco 1
28		000 ⇔ 255	Atenuador del LED blanco 2
29		000 ⇔ 255	Atenuador del LED blanco 3
30		000 ⇔ 255	Atenuador del LED blanco 4
31		000 ⇔ 250 251 ⇔ 255	Velocidad estroboscópico, lenta a rápida Estroboscopio por sonido
32	Control del láser	000 ⇔ 005	Blackout
		006 ⇔ 041	Rojo
		042 ⇔ 077	Verde
		078 ⇔ 113	Azul
		114 ⇔ 149	Rojo + verde
		150 ⇔ 185	Rojo + azul
		186 ⇔ 221	Verde + azul
		222 ⇔ 255	Rojo + verde + azul
33		000 ⇔ 255	Velocidad estroboscópico, lenta a rápida
34		000 001 ⇔ 127 128 129 ⇔ 255	Sin función Giro en sentido horario, lento a rápido Sin función Rotar en sentido antihorario, lento a rápido
35	Control de Spot 1	000 ⇔ 255	Panoramico
36		000 ⇔ 255	Panoramico fino
37		000 ⇔ 255	Inclinación
38		000 ⇔ 255	Inclinación fina
39		000 ⇔ 255	Velocidad de panoramico/inclinación
40	Spot 1 rueda de color	000 ⇔ 006	Blanco
		007 ⇔ 013	Rojo
		014 ⇔ 020	Naranja
		021 ⇔ 027	Amarillo
		028 ⇔ 034	Verde
		035 ⇔ 041	Azul
		042 ⇔ 048	CTO 400K
		049 ⇔ 055	Cian
		056 ⇔ 062	Magenta
		063 ⇔ 064	Verde lima
		065 ⇔ 189	Índice de colores
		190 ⇔ 221	Desplazamiento del color en el sentido horario, rápido a lento
		222 ⇔ 223	Detener
		224 ⇔ 255	Desplazamiento del color en el sentido antihorario, lento a rápido

Canal	Función	Valor	Porcentaje/Configuración
41	Spot 1 rueda de gobo (ver Gobos)	000 ⇔ 005	Abierto
		006 ⇔ 011	Gobo 1
		012 ⇔ 017	Gobo 2
		018 ⇔ 023	Gobo 3
		024 ⇔ 029	Gobo 4
		030 ⇔ 035	Gobo 5
		036 ⇔ 041	Gobo 6
		042 ⇔ 047	Gobo 7
		048 ⇔ 053	Gobo 8
		054 ⇔ 063	Gobo 9
		064 ⇔ 069	Batido Gobo 9, lento a rápido
		070 ⇔ 075	Batido Gobo 8, lento a rápido
		076 ⇔ 081	Batido Gobo 7, lento a rápido
		082 ⇔ 087	Batido Gobo 6, lento a rápido
		088 ⇔ 093	Batido Gobo 5, lento a rápido
		094 ⇔ 099	Batido Gobo 4, lento a rápido
		100 ⇔ 105	Batido Gobo 3, lento a rápido
106 ⇔ 111	Batido Gobo 2, lento a rápido		
112 ⇔ 117	Batido Gobo 1, lento a rápido		
118 ⇔ 127	Abierto		
128 ⇔ 189	Desplácese en el sentido horario, lento a rápido		
190 ⇔ 193	Detener		
194 ⇔ 255	Desplácese en el sentido antihorario, lento a rápido		
42	Atenuador de Spot 1	000 ⇔ 255	0–100%
43	Spot 1 estroboscópico	000 ⇔ 003	Cerrado
		004 ⇔ 007	Abierto
		008 ⇔ 076	Estroboscopio, de lento a rápido
		077 ⇔ 145	Estroboscopio de pulso, de lento a rápido
		146 ⇔ 215	Estroboscopio aleatorio, de lento a rápido
216 ⇔ 255	Abierto		
44	Control de Spot 2	000 ⇔ 255	Panoramico
45		000 ⇔ 255	Panoramico fino
46		000 ⇔ 255	Inclinación
47		000 ⇔ 255	Inclinación fina
48		000 ⇔ 255	Velocidad de panoramico/inclinación

Canal	Función	Valor	Porcentaje/Configuración
49	Spot 2 rueda de color	000 ⇔ 006	Blanco
		007 ⇔ 013	Rojo
		014 ⇔ 020	Naranja
		021 ⇔ 027	Amarillo
		028 ⇔ 034	Verde
		035 ⇔ 041	Azul
		042 ⇔ 048	CTO 400K
		049 ⇔ 055	Cian
		056 ⇔ 062	Magenta
		063 ⇔ 064	Verde lima
		065 ⇔ 189	Índice de colores
		190 ⇔ 221	Desplazamiento del color en el sentido horario, rápido a lento
		222 ⇔ 223	Detener
		224 ⇔ 255	Desplazamiento del color en el sentido antihorario, lento a rápido
50	Spot 2 rueda de gobo (ver Gobos)	000 ⇔ 005	Abierto
		006 ⇔ 011	Gobo 1
		012 ⇔ 017	Gobo 2
		018 ⇔ 023	Gobo 3
		024 ⇔ 029	Gobo 4
		030 ⇔ 035	Gobo 5
		036 ⇔ 041	Gobo 6
		042 ⇔ 047	Gobo 7
		048 ⇔ 053	Gobo 8
		054 ⇔ 063	Gobo 9
		064 ⇔ 069	Gobo 9 vibrando, lento a rápido
		070 ⇔ 075	Gobo 8 vibrando, lento a rápido
		076 ⇔ 081	Gobo 7 vibrando, lento a rápido
		082 ⇔ 087	Gobo 6 vibrando, lento a rápido
		088 ⇔ 093	Gobo 5 vibrando, lento a rápido
		094 ⇔ 099	Gobo 4 vibrando, lento a rápido
		100 ⇔ 105	Gobo 3 vibrando, lento a rápido
		106 ⇔ 111	Gobo 2 vibrando, lento a rápido
		112 ⇔ 117	Gobo 1 vibrando, lento a rápido
		118 ⇔ 127	Abierto
128 ⇔ 189	Desplácese en el sentido horario, lento a rápido		
190 ⇔ 193	Detener		
194 ⇔ 255	Desplácese en el sentido antihorario, lento a rápido		
51	Atenuador de Spot 2	000 ⇔ 255	0–100%
52	Spot 2 estroboscópico	000 ⇔ 003	Cerrado
		004 ⇔ 007	Abierto
		008 ⇔ 076	Estroboscopio, de lento a rápido
		077 ⇔ 145	Estroboscopio de pulso, de lento a rápido
		146 ⇔ 215	Estroboscopio aleatorio, de lento a rápido
		216 ⇔ 255	Abierto

30 canales

Canal	Función	Valor	Porcentaje/Configuración
1	Control de Par	000 ⇔ 255	Par rojo, DIM
2		000 ⇔ 255	Par verde, DIM
3		000 ⇔ 255	Par azul, DIM
4		000 ⇔ 255	Par ambra, DIM
5		000 ⇔ 255	Par blanco, DIM
6		000 ⇔ 255	Par UV, DIM
7		000 ⇔ 250 251 ⇔ 255	Foco velocidad estroboscópio, lenta a rápida Foco estroboscopio por sonido
8	Control de Derby	000 ⇔ 255	Derby rojo
9		000 ⇔ 255	Derby verde
10		000 ⇔ 255	Derby azul
11		000 ⇔ 255	Derby blanco
12		000 ⇔ 250 251 ⇔ 255	Velocidad estroboscópio, lenta a rápida Estroboscopio por sonido
13		000	Sin función
		001 ⇔ 127 128	Giro en sentido horario, lento a rápido Sin función
	129 ⇔ 255	Rotar en sentido antihorario, lento a rápido	
14	Flash	000 ⇔ 255	Atenuador del LED blanco 1
15		000 ⇔ 255	Atenuador del LED blanco 2
16		000 ⇔ 255	Atenuador del LED blanco 3
17		000 ⇔ 255	Atenuador del LED blanco 4
18		000 ⇔ 250 251 ⇔ 255	Velocidad estroboscópio, lenta a rápida Estroboscopio por sonido
19	Control del láser	000 ⇔ 005	Blackout
		006 ⇔ 041	Rojo
		042 ⇔ 077	Verde
		078 ⇔ 113	Azul
		114 ⇔ 149	Rojo + verde
		150 ⇔ 185	Rojo + azul
		186 ⇔ 221	Verde + azul
		222 ⇔ 255	Rojo + verde + azul
20	000 ⇔ 255	Velocidad estroboscópio, lenta a rápida	
21	000	Sin función	
	001 ⇔ 127 128	Giro en sentido horario, lento a rápido Sin función	
	129 ⇔ 255	Rotar en sentido antihorario, lento a rápido	
22	Control de Spot	000 ⇔ 255	Panoramico
23		000 ⇔ 255	Panoramico fino
24		000 ⇔ 255	Inclinación
25		000 ⇔ 255	Inclinación fina
26		000 ⇔ 255	Velocidad de panoramico/inclinación

Canal	Función	Valor	Porcentaje/Configuración
27	Spot rueda de color	000 ⇔ 006	Blanco
		007 ⇔ 013	Rojo
		014 ⇔ 020	Naranja
		021 ⇔ 027	Amarillo
		028 ⇔ 034	Verde
		035 ⇔ 041	Azul
		042 ⇔ 048	CTO 400K
		049 ⇔ 055	Cian
		056 ⇔ 062	Magenta
		063 ⇔ 064	Verde lima
		065 ⇔ 189	Índice de colores
		190 ⇔ 221	Desplazamiento del color en el sentido horario, rápido a lento
		222 ⇔ 223	Detener
		224 ⇔ 255	Desplazamiento del color en el sentido antihorario, lento a rápido
28	Spot rueda de gobo (ver Gobos)	000 ⇔ 005	Abierto
		006 ⇔ 011	Gobo 1
		012 ⇔ 017	Gobo 2
		018 ⇔ 023	Gobo 3
		024 ⇔ 029	Gobo 4
		030 ⇔ 035	Gobo 5
		036 ⇔ 041	Gobo 6
		042 ⇔ 047	Gobo 7
		048 ⇔ 053	Gobo 8
		054 ⇔ 063	Gobo 9
		064 ⇔ 069	Gobo 9 vibrando, lento a rápido
		070 ⇔ 075	Gobo 8 vibrando, lento a rápido
		076 ⇔ 081	Gobo 7 vibrando, lento a rápido
		082 ⇔ 087	Gobo 6 vibrando, lento a rápido
		088 ⇔ 093	Gobo 5 vibrando, lento a rápido
		094 ⇔ 099	Gobo 4 vibrando, lento a rápido
		100 ⇔ 105	Gobo 3 vibrando, lento a rápido
		106 ⇔ 111	Gobo 2 vibrando, lento a rápido
		112 ⇔ 117	Gobo 1 vibrando, lento a rápido
118 ⇔ 127	Abierto		
128 ⇔ 189	Desplácese en el sentido horario, lento a rápido		
190 ⇔ 193	Detener		
194 ⇔ 255	Desplácese en el sentido antihorario, lento a rápido		
29	Atenuador de Spot	000 ⇔ 255	0–100%
30	Spot estroboscópico	000 ⇔ 003	Cerrado
		004 ⇔ 007	Abierto
		008 ⇔ 076	Estroboscopio, de lento a rápido
		077 ⇔ 145	Estroboscopio de pulso, lento a rápido
		146 ⇔ 215	Estroboscopio aleatorio, lento a rápido
		216 ⇔ 255	Abierto

3 canales

Canal	Función	Valor	Porcentaje/Configuración
1	Funcionamiento	000 ⇔ 005	Oscuro
		006 ⇔ 013	Composición 1
		014 ⇔ 022	Composición 2
		023 ⇔ 031	Composición 3
		032 ⇔ 040	Composición 4
		041 ⇔ 049	Focos + Derby luces + Láser + Estroboscopios
		050 ⇔ 058	Focos + Derby luces + Láser + Spot móviles
		059 ⇔ 067	Focos + Derby luces + Estroboscopios + Spot móviles
		068 ⇔ 076	Focos + Láser + Estroboscopios + Spot móviles
		077 ⇔ 085	Derby luces + Láser + Estroboscopios + Spot móviles
		086 ⇔ 094	Focos + Derby luces + Láser
		095 ⇔ 103	Focos + Derby luces + Estroboscopios
		104 ⇔ 112	Focos + Derby luces + Spot móviles
		113 ⇔ 121	Focos + Láser + Estroboscopios
		122 ⇔ 130	Focos + Láser + Spot móviles
		131 ⇔ 139	Focos + Estroboscopios + Spot móviles
		140 ⇔ 147	Focos y Derby luces
		148 ⇔ 155	Focos y Láser
		156 ⇔ 163	Focos y Estroboscopios
		164 ⇔ 171	Focos y Spot móviles
		172 ⇔ 179	Derby luces y Láser
		180 ⇔ 187	Derby luces y Estroboscopios
		188 ⇔ 195	Derby luces y Spot móviles
		196 ⇔ 203	Láser y Estroboscopios
		204 ⇔ 211	Láser y Spot móviles
		212 ⇔ 219	Estroboscopios y Spot móviles
		220 ⇔ 227	SOLO focos encendidos
		228 ⇔ 235	SOLO Derby luces encendidos
		236 ⇔ 243	SOLO láser encendido
		244 ⇔ 251	SOLO estroboscopios encendidos
252 ⇔ 255	SOLO Spot móviles encendidos		
2	Velocidad Automática	000 ⇔ 249	Velocidad, lenta a rápida (configure el programa automático para CH1)
		250 ⇔ 255	Velocidad, lenta a rápida (configure el programa de sonido para CH1)
3	Velocidad de Spot XY	000 ⇔ 255	Velocidad de Spot XY, lento a rápido

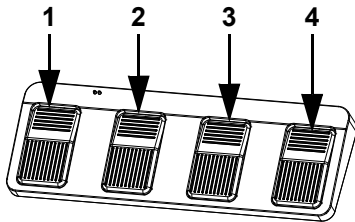


Quando el valor de CH2 está entre 000-127, CH1 está en modo Auto. Cuando el valor de CH2 está entre 128-255, CH1 está en modo Sonido.

Funcionamiento del Conmutador de Pie

El conmutador de pie inalámbrico incluido proporciona acceso rápido a los colores preconfigurados, a los programas de cambio de color y a la activación por sonido a través del micrófono del GigBAR MOVE + ILS.

Para usar el conmutador de pie:



1. Conecte el GigBAR MOVE + ILS a la alimentación.
2. Pulse **<MENU>** en el GigBAR MOVE + ILS hasta que aparezca **SETUP** en la pantalla y pulse **<ENTER>**.
3. Utilice **<UP>** o **<DOWN>** hasta que se seleccione **FOOT**, Pulse **<ENTER>**.
4. Use **<UP>** o **<DOWN>** para elegir **COMMON** (para usar el GigBAR MOVE + ILS con cualquier pedal) o **BIND** (para emparejar un pedal con un aparato específico del GigBAR MOVE + ILS).
5. Pulse **<ENTER>**.
6. Utilice la tabla inferior para activar la función deseada.

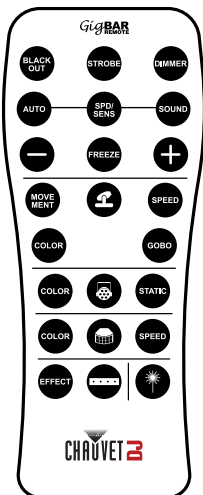
Pedal	Action	Functions
1 (Auto)	Toque el pedal para activar, luego toque para navegar a la función deseada	Programas automáticos
2 (Sonido)	Presione y mantenga	Programas de sonido activo
3 (Colores)	Toque	Ciclos a través de colores (Luces Foco y Derby SOLAMENTE)
4 (Blackout)	Toque	Blackout



El conmutador de pie del GigBAR MOVE + ILS funcionará adecuadamente en cualquier modo, con una distancia máxima sin obstáculos de 100 ft (30,5 m). Debe encender la Wi-Fi™ en el GigBAR 2 antes de usar el conmutador de pie.

Control remoto RF

El GigBAR MOVE + ILS es totalmente compatible con el control remoto RF. Para habilitar el control inalámbrico por RF, siga las instrucciones siguientes:



1. Press **<MENU>** para ver el menú principal en la pantalla.
2. Utilice **<UP>** o **<DOWN>** hasta que se seleccione **SETUP**.
3. Pulse **<ENTER>**.
4. Utilice **<UP>** o **<DOWN>** hasta que se seleccione **RF**.
5. Pulse **<ENTER>**.
6. Utilice **<UP>** o **<DOWN>** para seleccionar **COMMON** (para conectar una GigBAR MOVE + ILS a cualquier mando a distancia por RF) o **BIND** (para emparejar un mando a distancia por RF a una luminaria GigBAR MOVE + ILS).
7. Pulse **<ENTER>**.

Funcionamiento de control remoto RF

Oscuro

Para apagar los láseres con el mando a distancia por RF:

- Pulse **<BLACK OUT>** en el mando a distancia por RF.

Esto apagará todos los láseres hasta que vuelva a pulsar el botón de nuevo.

NOTA: El mando a distancia por RF no responderá a ninguna acción cuando esté activado el Black Out. Si el producto no responde cuando se pulse un botón, inténtelo pulsando **<BLACK OUT>**. Es posible que tenga el Black Out activado.

Estroboscopio

Para activar el estroboscopio en modo manual utilizando el control remoto RF:

1. Pulse y mantenga pulsado **<STROBE>** en el mando a distancia por RF.
2. Pulse **<+>** o **<->** para ajustar el estroboscopio.

Atenuador

Para ajustar el atenuador utilizando el mando a distancia por RF:

1. Pulse y mantenga pulsado **<STROBE>** en el mando a distancia por RF.
2. Pulse **<+>** o **<->** para ajustar el brillo.

Modo Automático

El modo Automático le permitirá ejecutar programas automáticos en el producto. Para activar el modo Automático con el mando a distancia por RF:

1. Pulse y mantenga pulsado **<AUTO>** en el mando a distancia por RF.
2. Pulse **<+>** o **<->** para escoger entre los diferentes programas automáticos.

Velocidad

Para ajustar la velocidad de foco/programa automático con el control remoto RF:

1. Pulse **<SPD>** en el mando a distancia por RF.
2. Pulse **<+>** o **<->** para aumentar o disminuir la velocidad del programa.

Modo sonido

Para activar el modo sonido con el control remoto RF:

1. Pulse **<SOUND>** en el control remoto RF.
2. Pulse **<+>** o **<->** para escoger un programa activo por sonido.

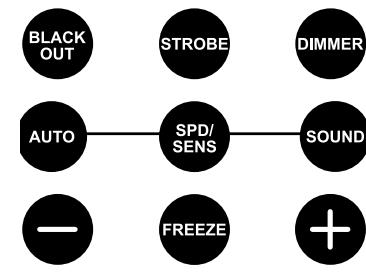
Para ajustar la sensibilidad al sonido:

1. Pulse **<SENS>** en el control remoto RF.
2. Pulse **<+>** o **<->** para aumentar o disminuir la sensibilidad.

Congelar

Para pausar un programa automático utilizando el control remoto RF:

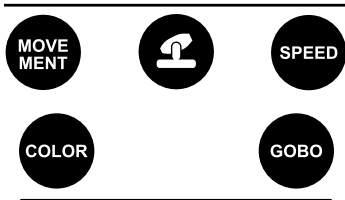
1. Presione **<FREEZE>** en el control remoto RF.



Programa de focos

Para seleccionar un programa para los focos utilizando un mando a distancia por RF:

1. Pulse el botón con el icono del Spot en el mando a distancia por RF.
2. Pulse **<MOVE MENT>** en el mando a distancia por RF.



Velocidad XY de los focos

Para ajustar la velocidad de panorámica/inclinación de los focos utilizando un mando a distancia por RF:

1. Pulse el botón con el icono del Spot en el mando a distancia por RF.
2. Pulse **<SPEED>** en el mando a distancia por RF.
3. Pulse **<+>** o **<->** para aumentar o disminuir la velocidad de panorámica/inclinación.

Color de los focos

Para seleccionar un color para los focos utilizando un mando a distancia por RF:

1. Pulse el botón con el icono del Spot en el mando a distancia por RF.
2. Pulse **<COLOR>** en el mando a distancia por RF.
3. Utilice **<+>** o **<->** para desplazarse por la rueda de colores.

Gobo de focos

Para seleccionar un gobo para los focos utilizando un mando a distancia por RF:

1. Pulse el botón con el icono del Spot en el mando a distancia por RF.
2. Pulse **<GOBO>** en el mando a distancia por RF.
3. Utilice **<+>** o **<->** para desplazarse por la rueda de gobos.

Programa de reflector

Para seleccionar un programa para los reflectores utilizando un mando a distancia por RF:

1. Pulse el botón con el icono del Par en el mando a distancia por RF.
2. Pulse **<COLOR>** en el mando a distancia por RF.



Color del reflector

Para seleccionar un color estático para los reflectores utilizando un mando a distancia por RF:

1. Pulse el botón con el icono del Par en el mando a distancia por RF.
2. Pulse **<STATIC>** en el mando a distancia por RF.

Programa del Derby

Para seleccionar un programa para el derby utilizando un mando a distancia por RF:

1. Pulse el botón con el icono del Derby en el mando a distancia por RF.
2. Pulse **<COLOR>** en el mando a distancia por RF.



Velocidad Derby

Para ajustar la velocidad de rotación del derby utilizando un mando a distancia por RF:

1. Pulse el botón con el icono del Derby en el mando a distancia por RF.
2. Pulse **<SPEED>** en el mando a distancia por RF.
3. Pulse **<+>** o **<->** para aumentar o disminuir la velocidad de rotación.



Láser

Para apagar o encender el láser utilizando un mando a distancia por RF:

1. Pulse el botón con el icono del láser en el mando a distancia por RF.

Programa de estroboscopio

Para seleccionar un programa para el estroboscopio utilizando un mando a distancia por RF:

1. Pulse el botón con el icono del estroboscopio en el mando a distancia por RF.
2. Pulse el botón **<EFFECT>** para seleccionar un efecto específico.
3. Pulse **<+>** o **<->** para desplazarse por los efectos.



- Cualquier control o configuración en el mando a distancia por IR se guardará hasta que se reinicie el sistema. El sistema regresará al Modo Automático después del reinicio.
- Los botones del mando a distancia por IR que no figuran arriba están reservados para usos futuros.

Modo Maestro/Esclavo

El modo Maestro/Esclavo permite que un solo producto GigBAR MOVE + ILS (el maestro), controle las acciones de uno o más productos GigBAR MOVE + ILS (los esclavos) sin necesidad de un controlador DMX. El producto maestro se configurará para funcionar en modo Independiente o con el remoto IR, mientras que los productos esclavo se configurarán para funcionar en modo Esclavo. Una vez configurados y conectados, los productos esclavo funcionarán al unísono con el producto maestro. Configure los productos como se indica a continuación.

Productos esclavos:

1. Pulse **<MENU>** repetidamente hasta que aparezca **SETUP** en la pantalla, y luego pulse **<ENTER>**.
2. Utilice **<UP>** o **<DOWN>** para seleccionar **DFI**, y luego pulse **<ENTER>**.
3. Utilice **<UP>** o **<DOWN>** para seleccionar **RX**, y luego pulse **<ENTER>**.
4. Utilice **<UP>** o **<DOWN>** para seleccionar el canal D-Fi receptor, entre **1-16**.
5. Pulse **<ENTER>**.
6. Pulse **<MENU>** repetidamente hasta que aparezca **SLAVE** en la pantalla, y luego pulse **<ENTER>**.
7. Termine de configurar y conectar todos los productos esclavo.

Producto maestro:

1. Pulse **<MENU>** repetidamente hasta que aparezca **SETUP** en la pantalla, y luego pulse **<ENTER>**.
2. Utilice **<UP>** o **<DOWN>** para seleccionar **DFI**, y luego pulse **<ENTER>**.
3. Utilice **<UP>** o **<DOWN>** para seleccionar **TX**, y luego pulse **<ENTER>**.
4. Utilice **<UP>** o **<DOWN>** para seleccionar el canal D-Fi transmisor, entre **1-16**.
5. Pulse **<ENTER>**.



- **Asegúrese de que los productos esclavo estén configurados en el mismo canal D-Fi que el producto maestro.**
- **Nunca conecte un controlador DMX a una línea DMX configurada para funcionamiento Maestro/Esclavo, porque el controlador puede interferir con las señales del maestro.**

5. Mantenimiento

Mantenimiento del producto

El polvo acumulado reduce el rendimiento de la salida de luz y puede provocar sobrecalentamiento. Esto puede conducir a una reducción de la vida de la fuente de luz e incrementar el desgaste mecánico. Para mantener un rendimiento óptimo y minimizar el desgaste, debe limpiar este producto con frecuencia. Como norma general, limpie este producto al menos dos veces al mes. Sin embargo, el uso y las condiciones ambientales influyen para un aumento de la frecuencia de limpieza.

Para limpiar el producto, siga las instrucciones siguientes:

1. Desenchufe el producto de la alimentación.
2. Espere a que el producto esté a temperatura ambiente.
3. Use un aspirador (o aire seco comprimido) y un cepillo suave para quitar el polvo depositado en orificios de aireación externos.
4. Limpie todas las superficies exteriores con una solución suave de limpiador de cristales sin amoníaco o alcohol isopropílico.
5. Aplique la solución directamente sobre un paño suave que no deje pelusa o un paño de limpiar lentes.
6. Quite todo el polvo o suciedad de los bordes externos de la superficie de la lente.
7. Con cuidado, frote las superficies de la lente hasta que no quede turbiedad ni pelusas.



Seque siempre meticulosamente y con cuidado las superficies exteriores después de limpiarlas.

6. Especificaciones Técnicas

Dimensiones y Peso

Longitud	Anchura	Altura	Peso
1100 mm (43")	144 mm (5,7")	449 mm (17,7")	14 kg (31 lb)

Nota: Las dimensiones en pulgadas están redondeadas.

Alimentación

Tipo de fuente de alimentación	Rango	Selección de tensión
Conmutación (interna)	100 a 240 VCA, 50/60 Hz	Detección automática (autorango)
Parámetro	120 V, 60 Hz	230 V, 50 Hz
Consumo	250 W	79 W
Corriente de funcionamiento	3 A	0,6 A
Intensidad de alimentación en cadena (productos)	8 A (2 products)	8 A (4 products)
Fusible	T 3,15 A, 250 V	T 3,15 A, 250 V
E/S alimentación	EE.UU./Mundial	UK/Europa
Conector de entrada de alimentación	IEC	IEC
Conector de salida de alimentación	Edison	IEC
Enchufe del cable de alimentación	Edison (EE.UU.)	Enchufe local

Fuente de luz (láser)

Tipo	Alimentación	Longitud de onda
Láser (rojo)	100 mW	650 nm
Láser (verde)	30 mW	520 nm
Láser (azul)	100 mW	450 nm

Fuente de luz (derby)

Tipo	Color	Cantidad	Alimentación	Corriente	Duración
LED	RGBW	8	6.5 W	2 A	50.000 hours

Fuente de luz (foco)

Tipo	Color	Cantidad	Alimentación	Corriente	Duración
LED	RGBAW + UV	3	6 W	2 A	50.000 horas

Fuente de luz (estroboscopios)

Tipo	Color	Cantidad	Alimentación	Corriente	Duración
LED	Blanco frio	4	5 W	1,2 A	50.000 horas

Fuente de luz (yugos móviles)

Tipo	Color	Cantidad	Alimentación	Corriente	Duración
LED	Blanco frio	1	32 W	3 A	50.000 horas

Óptica fotográfica

Ángulo de cobertura (derby)	Ángulo de cobertura (láser)	Ángulo del campo (focos)	Ángulo del campo (estroboscopia)
131°	93°	33°	62°
Ángulo del haz (yugos móviles)	Ángulo del haz (focos)	Ángulo del haz (estroboscopia)	
17°	22°	30°	
Iluminancia a 2 m (focos)	Iluminancia a 2 m (yugos móviles)	Iluminancia a 2 m (estroboscopia)	
1.205 lux (por foco)	5.140 lux (por cabeza)	130 lux (por zona)	
Pan y inclinación	Frecuencia de estroboscopia		
540°/180°	0 a 30 Hz		

Térmicas

Temp. externa mínima del láser	Temp. externa máxima del láser	Sistema de refrigeración
15 °C (59 °F)	35 °C (95 °F)	Convección asistida por ventilador

DMX

Conectores E/S	Rango de canal
XLR 3 pines	3, 30, o 52

Pedidos

Nombre de producto	Código de artículo (EU)	Código UPC (EU)
GigBAR MOVE + ILS	10051948	781462222963



Contacto

Información general	Servicio Técnico
Oficina Central de Chauvet	
Dirección: 3360 Davie Rd. Davie, FL 33314 Voz: (954) 577-4455 Fax: (954) 929-5560 Número gratuito: (800) 762-1084	Voz: (844) 393-7575 Fax: (954) 756-8015 Email: chauvetcs@chauvetlighting.com Sitio web: www.chauvetdj.com
Chauvet U.K.	
Dirección: Unit 1C Brookhill Road Industrial Estate Pinxton, Nottingham, UK NG16 6NT Voz: +44 (0) 1773 511115 Fax: +44 (0) 1773 511110	Email: UKtech@chauvetlighting.eu Sitio web: www.chauvetdj.eu
Chauvet Benelux	
Dirección: Stokstraat 18 9770 Kruishoutem Belgium Voz: +32 9 388 93 97	Email: BNLtech@chauvetlighting.eu Sitio web: www.chauvetdj.eu
Chauvet France	
Dirección: 3, Rue Ampère 91380 Chilly-Mazarin France Voz: +33 1 78 85 33 59	Email: FRtech@chauvetlighting.fr Sitio web: www.chauvetdj.eu
Chauvet Germany	
Dirección: Bruno-Bürgel-Str. 11 28759 Bremen Germany Voz: +49 421 62 60 20	Email: DEtech@chauvetlighting.de Sitio web: www.chauvetdj.eu
Chauvet Mexico	
Dirección: Av. de las Partidas 34 - 3B (Entrada por Calle 2) Zona Industrial Lerma Lerma, Edo. de México, CP 52000 Voz: +52 (728) 690-2010	Email: servicio@chauvet.com.mx Sitio web: www.chauvetdj.mx

Garantía y devoluciones

Para ver el registry de garantía y los términos y condiciones completos, visite sitio web de Chauvet. Para los clientes del Reino Unido, República de Irlanda, Bélgica, Países Bajos, Luxemburgo, Francia y Alemania: www.chauvetlighting.eu/warranty-registration.

1. Avant de Commencer

Ce Qui Est Compris

- GigBAR MOVE + ILS
- Cordon d'alimentation
- Télécommande RF
- Sac de transport
- Trépied
- Sac de transport pour le trépied
- Pédale sans fil avec batterie
- Manuel d'Utilisation

Instructions Relatives au Déballage

Déballer l'appareil avec précaution et vérifiez le contenu afin de vous assurer que rien ne vous manque et que tout est en bon état.





Réclamations

Si l'emballage ou le contenu (l'appareil et ses accessoires compris) semble avoir été endommagé pendant le transport, ou s'il présente des signes de manipulation sans précaution, veuillez dès réception en notifier immédiatement le transporteur et non Chauvet. Ne pas enregistrer votre réclamation auprès du transporteur en temps et en heure peut entraîner une non validation de celle-ci. De plus, gardez l'emballage et tous les matériaux d'emballage pour inspection. Pour tout autre problème comme la non-livraison de pièces ou composants, des dommages non en rapport avec la livraison ou des vices cachés, veuillez déposer votre réclamation auprès de Chauvet dans les 7 jours suivant la livraison.

Conventions manuelles

Convention	Signification
1-512	Une plage de valeurs
50/60	Un ensemble de valeurs parmi lequel on ne peut en choisir qu'une
Settings	Une option de menu ne pouvant être modifiée
<ENTER>	Un bouton sur lequel appuyer sur le panneau de commande de l'appareil
ON	Une valeur à saisir ou à sélectionner

Symboles

Symbole	Signification
	Consignes importantes en matière d'installation, de configuration et de fonctionnement. Le non-respect de ces consignes peut entraîner le non-fonctionnement de l'appareil ou lui causer des dommages. De même, l'utilisateur peut s'en trouver affecté.
	Consignes importantes en matière d'installation ou de configuration. Le produit peut ne pas fonctionner correctement si ces instructions ne sont pas suivies.
	Informations utiles.
	Informations sur la sécurité des lasers.

Clause de Non-Responsabilité

Chauvet estime que les informations contenues dans ce manuel sont exactes à tous les égards. Cependant, Chauvet n'assume aucune responsabilité et décline expressément toute responsabilité envers toute partie de toute perte, dommage ou dérangement causés par des erreurs ou des omissions dans ce document, que ces erreurs ou omissions résultent d'une négligence, d'un accident ou de toute autre cause. Chauvet se réserve le droit de réviser le contenu de ce document sans aucune obligation de notifier quelque personne ou société que ce soit de cette révision. Cependant, Chauvet n'a aucune obligation de réaliser de telles révisions, sans non plus s'engager à les réaliser. Téléchargez la dernière version de ce manuel sur www.chauvetdj.com.

Conformité FCC

Cet appareil est conforme à la partie 15, sous-partie B du règlement de la FCC. L'utilisation est soumise aux deux conditions suivantes:

1. Cet appareil ne doit pas causer d'interférences nuisibles, et
2. Cet appareil doit accepter toutes les interférences reçues, y compris celles pouvant entraîner un fonctionnement indésirable.

Tout changement ou modification non expressément approuvé par l'autorité responsable de la conformité pourrait annuler le droit de l'utilisateur à utiliser l'équipement.

Propriété intellectuelle

Les œuvres d'auteur contenues dans ce manuel, y compris, mais sans s'y limiter, l'ensemble des conceptions, des textes et des images sont la propriété de Chauvet.

© **Copyright 2023 Chauvet & Sons, LLC. Tous droits réservés.**

Publié électroniquement par Chauvet aux États-Unis.

CHAUVET, le logo Chauvet et GigBAR MOVE + ILS sont des marques déposées ou des marques de Chauvet & Sons LLC. (d/b/a Chauvet et Chauvet Lighting) aux États-Unis et dans d'autres pays. Les autres noms de produits et logos mentionnés dans le présent manuel peuvent être des marques commerciales de leurs sociétés respectives.

Consignes de Sécurité

Les consignes de sécurité comprennent des informations importantes sur la sécurité des systèmes laser. Veuillez lire et bien comprendre toutes les instructions avant d'allumer le laser pour la première fois. La connaissance de ces consignes de sécurité est cruciale pour éviter toute blessure aux yeux par un laser et pour ne pas enfreindre la loi. Veuillez conserver ce manuel d'utilisation dans un lieu sûr pour vous y référer ultérieurement.



ARRÊTEZ ET LISEZ TOUTES LES DONNÉES DE SÉCURITÉ DES LASERS



- Les lasers peuvent s'avérer dangereux et font l'objet de consignes de sécurité spécifiques. Une mauvaise utilisation des lasers pourrait entraîner une cécité totale ou causer des lésions oculaires. Portez une attention particulière aux libellés portant la mention AVERTISSEMENT ou REMARQUE dans ce manuel d'utilisation. Lisez et assimilez toutes les consignes AVANT de mettre cet appareil en marche pour la première fois.
- Connectez toujours l'appareil à un circuit relié à la terre afin d'éviter tout risque d'électrocution.
- Déconnectez toujours de l'alimentation principale avant de procéder à tout entretien ou remplacement du fusible.
- Évitez tout contact visuel direct avec la source lumineuse quand cet appareil est en marche.
- Assurez-vous que le cordon d'alimentation n'est ni tordu ni endommagé.
- Ne débranchez jamais cet appareil en tirant sur le cordon.
- Si vous installez l'appareil en hauteur, utilisez impérativement une élingue de sécurité pour le sécuriser au dispositif de fixation.
- Ne laissez aucun produit inflammable dans un rayon de 50 cm de l'appareil lorsque celui-ci fonctionne.
- Ne touchez pas cet appareil lors de son fonctionnement car il pourrait s'avérer brûlant.
- Cet appareil n'est pas conçu pour être utilisé dans une installation permanente.
- Veillez toujours à ce que la tension de la prise à laquelle vous branchez l'appareil soit comprise dans la plage indiquée sur l'étiquette ou à l'arrière de l'appareil.
- Cet appareil doit être utilisé en intérieur uniquement ! (IP20). Afin d'éviter tout risque d'incendie ou décharge électrique, veillez à n'exposer cet appareil ni à la pluie ni à l'humidité.
- Installez toujours cet appareil dans un endroit bien ventilé, à au moins 20 pouces (50 cm) des surfaces adjacentes.
- Assurez-vous qu'aucune fente de ventilation sur le boîtier de l'appareil ne soit obstruée.
- Ne connectez jamais cet appareil à un gradateur.
- Assurez-vous de remplacer le fusible par un autre du même type.
- Transportez ce produit uniquement au moyen de la poignée dont il est doté.
- Mettre l'appareil hors/sous tension à de brefs intervalles est fortement déconseillé. La durée de vie de la diode laser s'en trouverait fortement réduite.
- Ne secouez pas l'appareil. Évitez tout geste brusque lors de l'installation ou de l'utilisation de l'appareil.
- Utilisez TOUJOURS un câble de sécurité lorsque vous montez cet appareil en hauteur.
- La plage de température ambiante de fonctionnement pour le laser est de 15 °C à 35 °C (59 °F à 95 °F). Ne faites pas fonctionner cet appareil à des températures en dehors de cette plage.
- En cas de sérieux problèmes de fonctionnement, arrêtez le système immédiatement.
- N'essayez jamais de réparer cet appareil. Toute réparation effectuée par une personne non qualifiée peut entraîner des dommages ou un fonctionnement erratique de l'appareil. Mettez-vous en relation avec le centre d'assistance technique autorisé le plus près de chez vous.



ATTENTION ! L'utilisation de commandes, réglages ou procédures autres que CEUX spécifiés DANS CE MANUEL DE L'UTILISATEUR peut entraîner une exposition à des rayonnements dangereux.



- Lumière laser : évitez tout contact direct avec les yeux ! N'exposez jamais intentionnellement directement vos yeux ou ceux d'autres personnes à la lumière du laser.
- Cet appareil laser peut entraîner une cécité totale ou causer des lésions oculaires instantanées si le laser entre en contact direct avec les yeux.
- Il est illégal et dangereux de diriger ce laser vers les zones destinées au public, zones où les yeux des membres du public ou du personnel pourraient être en contact direct avec les rayons laser ou des réflexions lumineuses.
- Ne pointez pas de laser sur les avions, ceci est répréhensible par la loi.
- Durant les périodes de non-utilisation, pour éviter toute usure inutile et pour prolonger la durée de vie, déconnectez-entièrement l'appareil en le débranchant de l'alimentation électrique ou en coupant le disjoncteur.
- N'essayez JAMAIS de réparer l'appareil vous-même. Les réparations et entretiens doivent être effectués par un technicien agréé.



Conservez ce manuel d'utilisation pour référence future. Si vous étiez amené à vendre cet appareil à un autre utilisateur, veillez à lui remettre ce manuel également.

Avertissement : Boîtier non Verrouillable



- Cet appareil renferme un laser très puissant.
- N'ouvrez jamais le boîtier du laser, vous pourriez être exposé à des niveaux dangereux de radiation laser.
- L'intensité du laser à l'ouverture du boîtier peut entraîner instantanément une cécité, des brûlures cutanées ou des incendies.

Consignes de Sécurité Relatives au Laser



ARRÊTEZ ET LISEZ TOUTES LES CONSIGNES DE SÉCURITÉ DES LASERS CI-DESSOUS



La lumière laser est différente de toutes les autres lumières. La lumière laser peut causer des blessures aux yeux s'il n'est pas installé et utilisé correctement. La lumière laser est plusieurs milliers de fois plus concentrée que tout autre type de lumière. Cette concentration peut provoquer des lésions oculaires instantanées, principalement par la combustion de la rétine (la partie sensible à la lumière à l'arrière de l'œil). La chaleur d'une lumière laser ne peut pas être ressentie mais elle peut néanmoins blesser ou rendre aveugle les utilisateurs de l'appareil et le public. Même de très petites quantités de lumière laser sur de longues distances sont potentiellement dangereuses.

NE PAS penser que l'exposition à un faisceau laser est sans danger, même si ce n'est qu'une petite déviation d'un faisceau plus large. Cet appareil à laser utilise des dizaines de milliwatts de puissance laser (niveaux internes classe 3B) avant de les séparer en plusieurs faisceaux (niveaux classe 3R). Chacun des faisceaux laser de classe 3R est potentiellement dangereux pour les yeux.

NE SUPPOSEZ PAS qu'une lumière laser en mouvement est sans danger. Une lumière laser n'est jamais sans risque. Les lésions oculaires peuvent survenir en un instant, il est donc vital de faire tout le nécessaire pour éviter toute exposition directe de l'œil. Conformément à la réglementation en matière de sécurité laser, il est illégal de diriger des lasers de classe 3R dans des zones où des personnes peuvent être exposées, même si le laser est dirigé en-dessous du visage des personnes, par exemple une piste de danse.



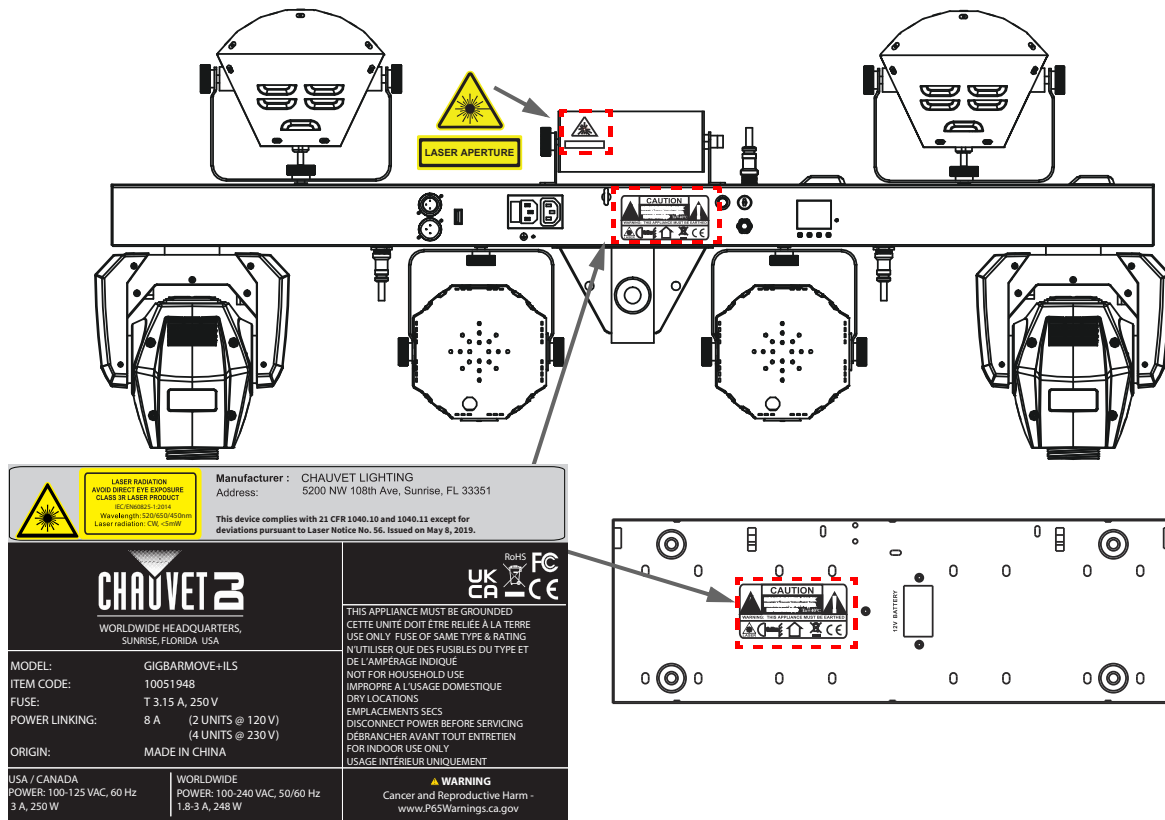
- Ne pas faire fonctionner le laser sans avoir lu et bien compris toutes les données techniques et de sécurité de ce manuel.
- TOUJOURS configurer et installer tous les effets de laser afin que toute lumière laser soit à au moins 3 mètres (9,8 pieds) au-dessus du sol sur lequel les gens peuvent se tenir debout. Voir la section [Utilisation Adéquate](#) de ce manuel.
- Après l'installation, et avant l'usage en public, testez les lasers pour vous assurer de leur bon fonctionnement. Ne par utiliser l'appareil si un défaut est détecté.
- NE PAS pointer des lasers sur des personnes ou des animaux.
- NE PAS regarder dans l'ouverture laser ou dans les faisceaux laser.
- NE PAS diriger des lasers vers des zones où des personnes pourraient y être exposées.
- NE PAS pointer des lasers vers des surfaces très réfléchissantes telles que des fenêtres, des miroirs et le métal brillant. Les réflexions de laser peuvent également être dangereuses.
- Ne jamais pointer un laser sur un avion, cela étant considéré comme une infraction fédérale.
- Ne jamais pointer une faisceau laser non terminé vers le ciel.
- Ne pas exposer l'optique de sortie (ouverture) à des produits chimiques de nettoyage agressifs.
- Ne pas utiliser le laser si le boîtier est endommagé, ouvert, ou si les optiques apparaissent endommagées de quelque manière que ce soit.
- Ne jamais ouvrir le boîtier du laser. Les niveaux élevés de puissance de laser à l'intérieur du boîtier de protection peuvent provoquer des incendies ou brûler la peau, et peuvent provoquer des blessures instantanées aux yeux.
- Ne laissez jamais ce produit fonctionner sans surveillance.
- Le fonctionnement d'un show laser de classe 3R n'est autorisé que si les lasers sont contrôlés par un professionnel qualifié, convenablement formé et ayant pris connaissance des données présentes dans ce manuel.
- Les exigences légales pour l'utilisation d'appareils de divertissement à laser varient d'un pays à l'autre. L'utilisateur est responsable des exigences légales dans l'emplacement / le pays d'utilisation.



ATTENTION ! NE PAS utiliser cet appareil de manière contraire à ce qui est spécifié dans ce manuel de l'utilisateur. Le non-respect de ces instructions annule la garantie, peut endommager le produit ou blesser l'utilisateur ou le public.

ATTENTION ! Ce produit ne peut pas être jeté avec les ordures ménagères. Veuillez contacter votre service de gestion des déchets pour la réglementation locale concernant l'élimination des produits électroniques dans votre région.

Reproduction de l'Étiquette de Sécurité Laser



Avertissement d'Exposition au Laser


LUMIERE LASER ÉVITER L'EXPOSITION DIRECTE DES YEUX

D'autres lignes directrices et programmes de sécurité pour une utilisation sans risque des lasers peuvent être trouvés dans la norme ANSI Z136.1 "Pour l'utilisation sans risque des lasers", disponible auprès du Laser Institute of America : www.lia.org. De nombreux gouvernements locaux, entreprises, institutions, militaires et autres, exigent que tous les lasers soient utilisés dans le respect des directives de la norme ANSI Z136.1. Une aide pour l'affichage des laser peut être obtenue par l'intermédiaire de l'ILDA (International Laser Display Association) : www.ilda.com.

Données d'émission laser

Tel que mesuré dans les conditions de mesure de la CEI pour la classification.

Classification laser	Classe 3R
Milieu laser rouge	LD/650 nm/80 mW
Milieu laser vert	LD/520 nm/30 mW
Milieu laser bleu	LD/450 nm/80 mW
Diamètre du faisceau	<5 mm à l'ouverture
Données de pulsation	Toutes les pulsations < 4 Hz (>0.25 sec)
Divergence (chaque faisceau)	<2 mrad
Divergence (lumière totale)	<160 degrés
Puissance laser de chaque faisceau au l'ouverture*	<5 mW

* Comme mesuré selon les conditions de mesure CEI pour la classification.

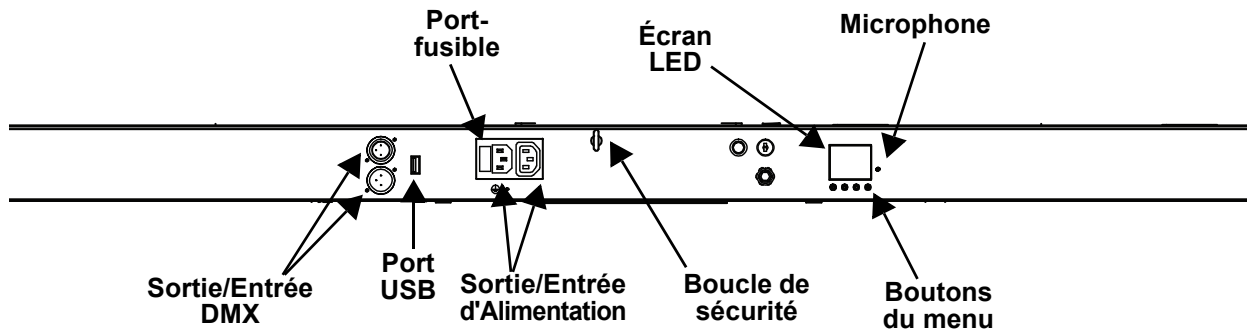
Déclaration de Conformité Laser

Conforme aux normes de performance de la FDA pour les produits laser, sauf pour les dérogations conformément à la norme Laser Notice No. 56 du 08 mai 2019. Aucun entretien n'est nécessaire pour maintenir la conformité de ce produit aux normes de performances laser.

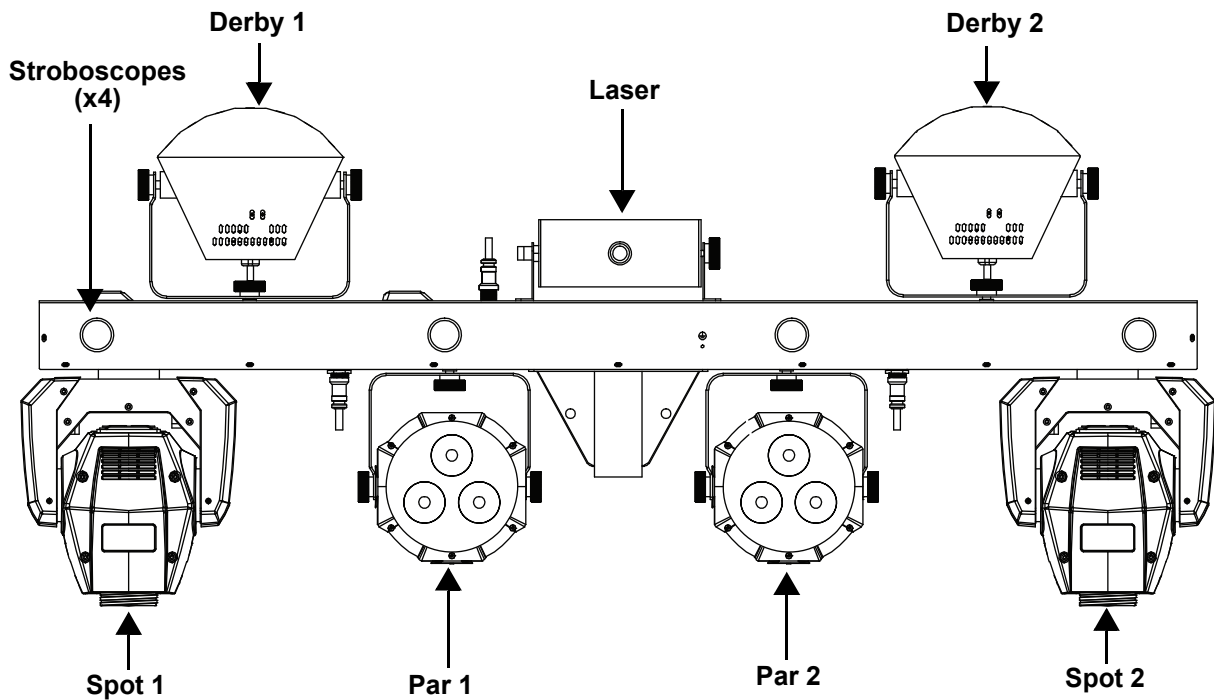
2. Introduction

Vue d'ensemble du produit

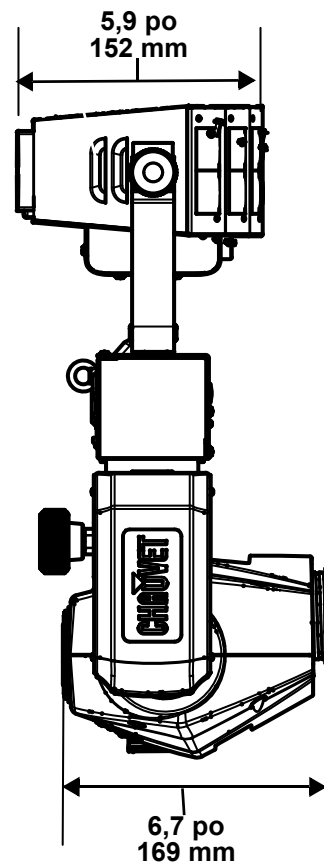
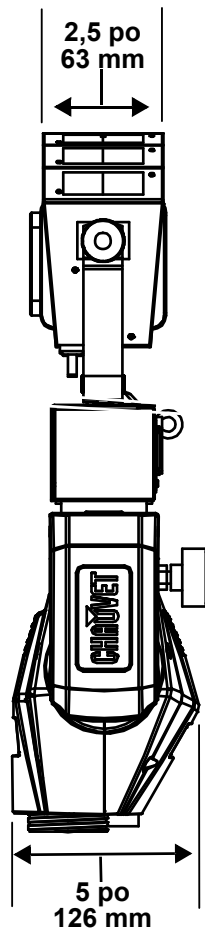
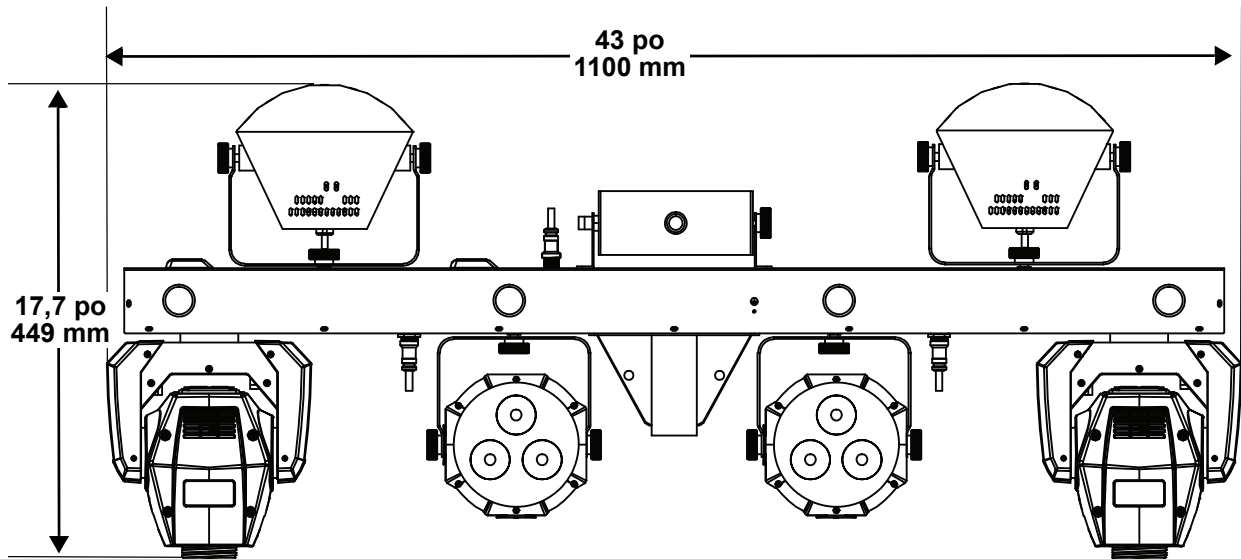
Vue du panneau arrière



Vue du panneau avant



Dimensions du produit



3. Configuration

Alimentation CA

Le GigBAR MOVE + ILS est doté d'une alimentation universelle interne et il peut fonctionner avec des tensions d'entrée comprises entre 100 et 240 V CA, 50/60 Hz. Pour déterminer les besoins en énergie de l'appareil (disjoncteur, prise de courant et câblage), utilisez la valeur de courant figurant sur l'étiquette apposée sur le panneau arrière de l'appareil, ou consultez la section [Spécificités Techniques](#) de ce manuel. La capacité nominale affichée indique la consommation courante dans des conditions normales d'utilisation.

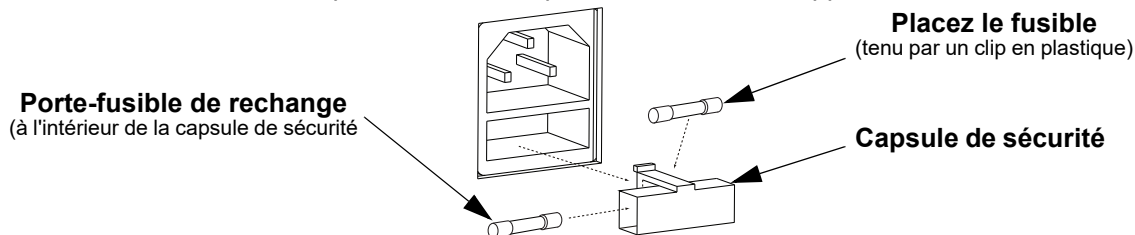
- **Toujours connecter l'appareil à un circuit protégé (disjoncteur ou fusible). Assurez-vous que l'appareil soit correctement mis à la terre pour éviter tout risque d'électrocution ou d'incendie.**
- **Durant les périodes de non-utilisation, pour éviter toute usure inutile et pour prolonger la durée de vie, déconnectez-entièrement l'appareil en le débranchant de l'alimentation électrique ou en coupant le disjoncteur.**



Ne connectez jamais l'appareil à un rhéostat (résistance variable) ou un circuit gradateur, même si vous n'avez l'intention de vous servir du rhéostat ou du canal d'assombrissement que comme interrupteur 0 à 100%.

Remplacement des fusibles

1. Débranchez l'appareil de l'alimentation.
2. Insérez et calez la pointe d'un tournevis à tête plate dans la fente du porte-fusible.
3. En faisant levier, faites-le sortir de son emplacement.
4. Retirez le fusible obsolète du porte-fusible et remplacez avec un de même type et même ampérage.
5. Insérez à nouveau le porte-fusible à sa place et rebranchez l'appareil.



Débranchez l'appareil avant de procéder au remplacement du fusible.

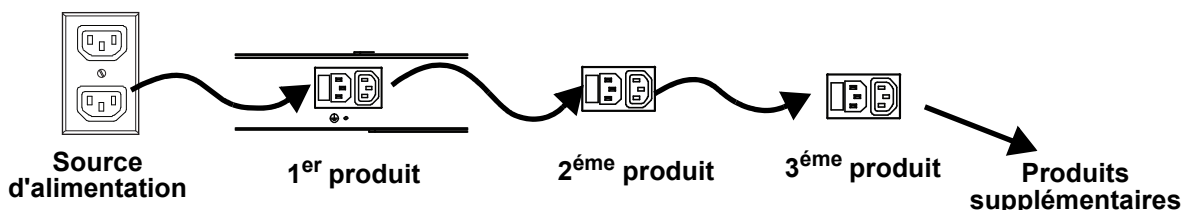


Remplacez toujours un fusible obsolète avec un de même type et même ampérage.

Connexion électrique

Le produit fournit la chaîne alimentaire via l'Edison de sortie à l'arrière du produit. Voir le schéma ci-dessous pour plus d'informations.

Diagramme de raccordement d'alimentation



Jusqu'à 2 produits GigBAR MOVE + ILS peuvent être alimentés sur du 120 V et jusqu'à 4 produits GigBAR MOVE + ILS sur du 230 V.

Connexion ILS

ILS (Integrated Lighting System) offre 4 modes synchronisés avec le GigBAR MOVE + ILS : Les modes 1 et 3 se synchronisent avec la face 1 du GigBAR MOVE + ILS, tandis que les modes 2 et 4 se synchronisent avec la face 2. Une fois ILS lié au GigBAR MOVE + ILS, les effets se synchronisent avec l'effet le plus identique possible sur la face sélectionnée : Les effets kinta se synchronisent avec l'un des kintas, les têtes mobiles se synchronisent avec l'une des têtes mobiles et les effets de type wash se synchronisent avec l'un des pars. Les effets laser se synchronisent avec le laser et les effets stroboscopiques se synchronisent avec les effets stroboscopiques quel que soit le mode ILS.

Installation

Avant d'installer ce produit, lisez, assimilez et suivez les recommandations en matière de sécurité reprises dans la section [Consignes de Sécurité](#).

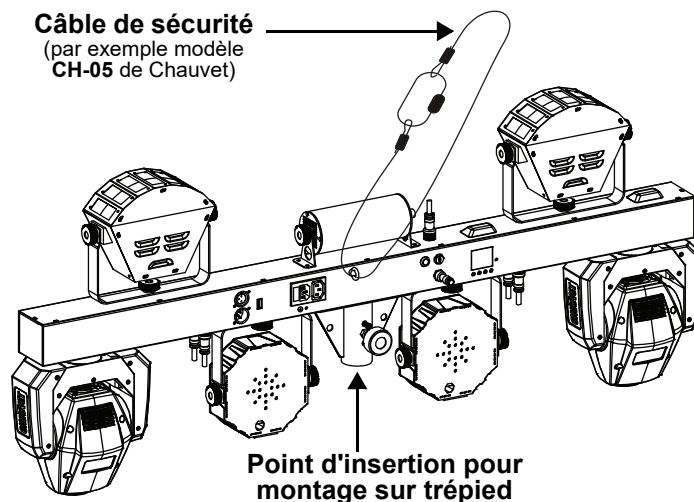
Orientation

Le GigBAR MOVE + ILS doit être monté de manière à garantir l'usage en toute sécurité du laser. Assurez-vous que la ventilation de cet appareil puisse s'effectuer de manière adéquate.

Suspension

- Avant de choisir un emplacement pour l'appareil, assurez-vous qu'il soit facile d'y accéder pour toute opération de maintenance et de programmation.
- Assurez-vous que la structure ou la surface sur laquelle vous installez l'appareil peut en supporter le poids (voir les [Spécificités Techniques](#))
- Utilisez toujours un câble de sécurité lorsque vous montez cet appareil en hauteur. Garantisiez un montage en toute sécurité de l'appareil en le reliant à un point de fixation, comme une plateforme en hauteur ou une structure.
- Lors de la suspension de l'appareil à une structure, vous devriez utiliser un clip de fixation en mesure de supporter la charge nécessaire.
- Les molettes de réglage de la fixation permettent d'ajuster la position de l'appareil lors de son positionnement à l'angle désiré. N'utilisez aucun outil pour relâcher ou resserrer les molettes de la fixation. En utiliser pourrait endommager les molettes.

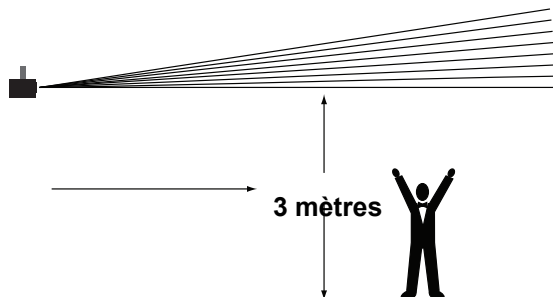
Schéma de installation



Utilisation Adéquate

Cet appareil doit être monté en hauteur uniquement. Pour des raisons de sécurité, Chauvet recommande de monter vos éclairages sur une plateforme élevée stable ou des supports en hauteur renforcés au moyen de systèmes de suspension adéquats. Vous devez, dans tous les cas, utiliser des élingues de sécurité. Le matériel de montage approprié peut être acquis auprès de votre revendeur d'éclairage.

Les réglementations internationales en matière de sécurité des appareils laser exigent que ceux-ci soient installés de manière à ce qu'un minimum de 3 mètres de séparation à la verticale existe entre le sol et la lumière laser la plus basse projetée. De plus, une séparation de 3 mètres à l'horizontal doit être respectée entre toute lumière laser émise et les membres du public ou autres espaces publics.



ATTENTION : L'utilisation des commandes, réglages ou procédures autres que celles spécifiées DANS CE MANUEL D'UTILISATION peut entraîner de dangereuses expositions à des radiations.

4. Fonctionnement

Cet appareil ne doit pas fonctionner de manière continue. Afin de maximiser la durée de vie de votre laser, veillez à le mettre en pause régulièrement. Débranchez toujours le GigBAR MOVE + ILS quand il n'est pas utilisé.

Fonctionnement du Panneau de Commande

Pour accéder aux fonctions du panneau de commande, utilisez les quatre boutons situés en dessous de l'affichage. Veuillez vous référer à la [Vue d'ensemble du produit](#) pour voir les emplacements des boutons sur le panneau de commande.

Bouton	Fonction
<MENU>	Appuyez pour sortir de l'option ou fonction de menu courante
<UP>	Appuyez pour vous déplacer vers le haut dans une liste d'options ou pour sélectionner une valeur plus haute
<DOWN>	Appuyez pour vous déplacer vers le bas dans une liste d'options ou pour sélectionner une valeur plus basse
<ENTER>	Appuyez pour activer une option de menu ou une valeur sélectionnée

Plan du menu

Reportez-vous à la page du produit GigBAR MOVE + ILS sur www.chauvetdj.com pour la dernière carte des menu.

Mode		Niveaux de programmation		Description
AUTO	Program	Mix	1-4	Permet de sélectionner le spectacle effet mélangé automatique
		Spots	1	Permet de sélectionner le spectacle Lyre à tête mobile automatique
		Strobe	1	Permet de sélectionner le spectacle stroboscope automatique
		Laser	1	Permet de sélectionner le spectacle laser automatique
		Derby	1	Permet de sélectionner le spectacle derby automatique
		Par	1	Permet de sélectionner le spectacle par automatique
		S+SP	1	Permet de sélectionner le spectacle automatique stroboscope et lyre à tête mobile
		L+SP	1	Permet de sélectionner le spectacle automatique laser et lyre à tête mobile
		LS	1	Permet de sélectionner le spectacle automatique laser et stroboscope
		D+SP	1	Permet de sélectionner le spectacle automatique derby et lyre à tête mobile
		DS	1	Permet de sélectionner le spectacle automatique derby et stroboscope
		DL	1	Permet de sélectionner le spectacle automatique derby et laser
		P+SP	1	Permet de sélectionner le spectacle automatique par et lyre à tête mobile
		PS	1	Permet de sélectionner le spectacle automatique Par et stroboscope
		PL	1	Permet de sélectionner le spectacle automatique par et laser
		PD	1	Permet de sélectionner le spectacle automatique par et derby
PS+SP	1	Permet de sélectionner le spectacle automatique par, stroboscope et lyre à tête mobile		
PL+SP	1	Permet de sélectionner le spectacle automatique par, laser et lyre à tête mobile		
PLS	1	Permet de sélectionner le spectacle automatique par, laser et stroboscope		
PD+SP	1	Permet de sélectionner le spectacle automatique par, derby et lyre à tête mobile		
PDS	1	Permet de sélectionner le spectacle automatique par, derby et stroboscope		

Mode		Niveaux de programmation		Description
AUTO (suite)	Program (suite)	PDL	1	Permet de sélectionner le spectacle automatique par, derby et laser
		DLS+SP	1	Permet de sélectionner le spectacle automatique derby, laser, stroboscope et lyre à tête mobile
		PLS+SP	1	Permet de sélectionner le spectacle automatique par, laser, stroboscope et lyre à tête mobile
		PDS+S P	1	Permet de sélectionner le spectacle automatique par, derby, stroboscope et lyre à tête mobile
		PDL+SP	1	Permet de sélectionner le spectacle automatique par, derby, laser et lyre à tête mobile
		PDLS	1	Permet de sélectionner le spectacle automatique par, derby, laser et stroboscope
	Mode	Snap/Fade		Sélectionne la transition entre les programmes automatiques
	Speed	0-99		Règle la vitesse des programmes automatiques
	Spots XY Speed	0-99		Règle la vitesse d'orientation et d'inclinaison des Spots
	Dimmer	0-255		Règle le gradateur
	Strobe	0-20		Sélectionne le stroboscope
	Program Time	1-255 (seconds)		Règle la durée du programme
	Pars Color	Tri		Le programme automatique utilisera uniquement les couleurs rouge, vert et bleu
		Quad		Le programme automatique utilisera uniquement les couleurs rouge, vert, bleu et ambre
		Hex		Le programme utilisera toutes les couleurs
SOUND	Program	Mix	1-4	Permet de sélectionner le spectacle effet mélangé activé par le son
		Spots	1	Permet de sélectionner la lyre à tête mobile en activation par le son
		Strobe	1	Permet de sélectionner la stroboscope en activation par le son
		Laser	1	Permet de sélectionner la laser en activation par le son
		Derby	1	Permet de sélectionner la derby en activation par le son
		Par	1	Permet de sélectionner la par en activation par le son
		S+SP	1	Paramètre les stroboscopes et les lyre à tête mobile en activation par le son
		L+SP	1	Paramètre les lasers et les lyre à tête mobile en activation par le son
		LS	1	Paramètre les lasers et les stroboscopes en activation par le son
		D+SP	1	Paramètre les derby lumieres et les lyre à tête mobile en activation par le son
		DS	1	Paramètre les derby lumieres et les stroboscopes en activation par le son
		DL	1	Paramètre les derby lumieres et les lasers en activation par le son
		P+SP	1	Paramètre les pars et les lyre à tête mobile en activation par le son
		PS	1	Paramètre les pars et les stroboscopes en activation par le son
		PL	1	Paramètre les pars et les lasers en activation par le son
		PD	1	Paramètre les pars et les derby lumieres en activation par le son
		PS+SP	1	Paramètre les pars, les stroboscopes et les lyre à tête mobile en activation par le son
		PL+SP	1	Paramètre les pars, les stroboscopes et les lyre à tête mobile en activation par le son
PLS	1	Paramètre les pars, les stroboscopes et les stroboscopes en activation par le son		

Mode		Niveaux de programmation		Description
SOUND (suite)	Program (suite)	PD+SP	1	Paramètre les pars, les derby lumieres et les lyre à tête mobile en activation par le son
		PDS	1	Paramètre les pars, les derby lumieres et les stroboscopes en activation par le son
		PDL	1	Paramètre les pars, les derby lumieres et les lasers en activation par le son
		DLS+SP	1	Paramètre les derby lumieres, les lasers, les stroboscopes et les lyre à tête mobile en activation par le son
		PLS+SP	1	Paramètre les pars, les lasers, les stroboscopes et les lyre à tête mobile en activation par le son
		PDS+S P	1	Paramètre les pars, les derby lumieres, les stroboscopes et les lyre à tête mobile en activation par le son
		PDL+SP	1	Paramètre les pars, les derby lumieres, les lasers et les lyre à tête mobile en activation par le son
		PDLS	1	Paramètre les pars, les derby lumieres, les lasers et les stroboscopes en activation par le son
	Sensitivity	0-99		Sensibilité sonore
	Spot Speed	0		Active les têtes mobiles actives au niveau du son
		1-99		Règle la vitesse de la tête mobile, lente à rapide
	Dimmer	0-255		Règle le gradateur
	Strobe	0-20		Sélectionne le stroboscope
	Program Time	1-255 (seconds)		Règle la durée du programme
	Sound Lost	Slow		La paire, le derby, le laser et le stroboscope s'arrêteront avec le dernier réglage. La couleur/gobo des têtes mobiles s'arrêtera avec le dernier réglage et le mouvement se déroulera lentement.
		Freeze		Toute la barre se figera avec le dernier réglage.
		Blackout		Toute la barre s'éteindra.
	Pars Color	Tri		Le programme automatique utilisera uniquement les couleurs rouge, vert et bleu
		Quad		Le programme automatique utilisera uniquement les couleurs rouge, vert, bleu et ambre
		Hex		Le programme utilisera toutes les couleurs
Manual Mode	Par Red Par Green Par Blue Par Amber Par White Par UV	0-255	Sélectionne la couleur Par	
	Derby Red Derby Green Derby Blue Derby White Derby Motor		Sélectionne la couleur du Derby	
	Laser		Rotation de la LED dans le sens horaire ou antihoraire	
	Flash Dimmer		Allume et éteint le laser manuellement	
	Pan		Réglage de l'intensité de la LED blanche	
	Tilt		Règle l'angle d'orientation	
	Color		Règle l'angle d'inclinaison	
	Gobo		Sélectionne la couleur manuellement	
	Dimmer		Sélectionne le gobo manuellement	
	Shutter		Règle la luminosité	
			Réglage de l'obturateur	

Mode		Niveaux de programmation	Description	
DMX	DMX	3CH	Sélectionne le canal DMX	
		30CH		
		52CH		
	Address	001–510	Sélectionne l'adresse DMX de départ	
	Slave		Mode esclave	
Setup	RF	COMMON	Permet de contrôler le projecteur à l'aide de n'importe quelle télécommande RF.	
		BIND	Permet de contrôler le GigBAR MOVE + ILS en utilisant uniquement la télécommande RF associée au projecteur.	
		OFF	Permet de désactiver l'infrarouge	
		RF Binding		Associe une télécommande RF à un projecteur GigBAR MOVE + ILS spécifique. (Maintenez et appuyez sur le bouton Blackout de la télécommande RF)
	FOOT	COMMON	Permet de contrôler le projecteur à l'aide de n'importe quelle pédale de commande.	
		BIND	Permet de contrôler le GigBAR MOVE + ILS en utilisant uniquement la pédale de commande associée au projecteur.	
		OFF	Désactive le contrôle par pédale de commande	
		FOOT Binding		Associe une pédale de commande à un projecteur GigBAR MOVE + ILS spécifique. (Maintenez et appuyez la commande Blackout de la pédale de commande)
	DFI	OFF	Désactive le DFI	
		RX	Active/désactive la réception du signal DFI	
		TX	Active/désactive la transmission du signal DFI	
	DFI CH	1–16	Sélectionne le canal DFI	
	Pan1 Reverse	ON	Active/désactive l'inversion panoramique des Spot 1	
		OFF		
	Tilt1 Reverse	ON	Active/désactive l'inversion de l'inclinaison des Spot 1	
		OFF		
	Pan2 Reverse	ON	Active/désactive l'inversion panoramique des Spot 2	
OFF				
Tilt2 Reverse	ON	Active/désactive l'inversion de l'inclinaison des spot 2		
	OFF			
RESET	NO	Permet de réinitialiser aux valeurs par défaut d'usine		
	YES			



- La valeur DMX s'affichera en blanc si vous ne recevez pas le signal DMX et s'affichera en jaune si vous recevez le signal DMX.
- L'affichage du menu s'éteindra si aucune opération n'est effectuée dans les 60 secondes.
- En mode DMX, l'appareil enregistre les derniers réglages lorsque le signal DMX a été perdu. En mode Maître/Esclave, il s'éteindra lorsque le signal DMX sera perdu.

Configuration (Autonome)

Permet de paramétrer l'appareil dans l'un des modes autonomes pour permettre l'utilisation sans contrôleur DMX.



Ne jamais connecter un appareil qui fonctionne en mode individuel à une chaîne DMX connectée à un contrôleur DMX. Les appareils en mode autonome peuvent émettre des signaux DMX qui interfèrent avec les signaux DMX du contrôleur.

Mode effet mélangé automatique

Pour faire fonctionner le GigBAR MOVE + ILS en mode automatique, suivre les instructions ci-dessous.

1. Appuyez sur la touche **<MENU>** pour afficher le menu principal à l'écran.
2. Utilisez les touches **<UP>** ou **<DOWN>** jusqu'à ce que **AUTO** soit sélectionné.
3. Appuyez sur la touche **<ENTER>**.
4. Utilisez les touches **<UP>** ou **<DOWN>** pour sélectionner **Program**.
5. Appuyez sur la touche **<ENTER>**.
6. Utilisez les touches **<UP>** ou **<DOWN>** pour sélectionner l'une des options de programmation automatique: **Mix, Spots, Strobe, Laser, Derby, Par, S+SP, L+SP, LS, D+SP, DŠ, DL, P+SP, PS, PL, PD, PS+SP, PL+SP, PLS, PD+SP, PDS, PDL, DLS+SP, PLS+SP, PDS+SP, PDL+SP, ou PDLS.**
7. Appuyez sur la touche **<ENTER>**.
8. Utilisez les touches **<UP>** ou **<DOWN>** pour sélectionner **Mode**.
9. Appuyez sur la touche **<ENTER>**.
10. Utilisez **<UP>** ou **<DOWN>** pour sélectionner entre **Snap** (transition instantanée entre les programmes) et **Fade** (transition en fondu entre les programmes).
11. Appuyez sur la touche **<ENTER>**.
12. Utilisez les touches **<UP>** ou **<DOWN>** pour sélectionner **Speed**.
13. Utilisez les touches **<UP>** ou **<DOWN>** pour régler la vitesse du programme automatique de **0–99**.
14. Appuyez sur la touche **<ENTER>**.

Mode effet mélangé activé par le son

Pour faire fonctionner le GigBAR MOVE + ILS en mode d'activation par le son, procédez comme suit :

1. Appuyez sur la touche **<MENU>** pour afficher le menu principal à l'écran.
2. Utilisez les touches **<UP>** ou **<DOWN>** jusqu'à ce que **SOUND** soit sélectionné.
3. Appuyez sur la touche **<ENTER>**.
4. Utilisez les touches **<UP>** ou **<DOWN>** pour sélectionner **Program**.
5. Appuyez sur la touche **<ENTER>**.
6. Utilisez les touches **<UP>** ou **<DOWN>** pour sélectionner l'une des options de programmation automatique: **Mix, Spots, Strobe, Laser, Derby, Par, S+SP, L+SP, LS, D+SP, DŠ, DL, P+SP, PS, PL, PD, PS+SP, PL+SP, PLS, PD+SP, PDS, PDL, DLS+SP, PLS+SP, PDS+SP, PDL+SP, ou PDLS.**
7. Appuyez sur la touche **<ENTER>**.

Sensibilité sonore

Pour régler la sensibilité sonore sur le GigBAR MOVE + ILS, suivre les instructions ci-dessous :

1. Appuyez sur la touche **<MENU>** pour afficher le menu principal à l'écran.
2. Utilisez les touches **<UP>** ou **<DOWN>** jusqu'à ce que **SOUND** soit sélectionné.
3. Appuyez sur la touche **<ENTER>**.
4. Utilisez les touches **<UP>** ou **<DOWN>** pour sélectionner **Sensitivity**.
5. Appuyez sur la touche **<ENTER>**.
6. Utilisez les touches **<UP>** ou **<DOWN>** pour régler la sensibilité du son de **0–99**.
7. Appuyez sur la touche **<ENTER>**.



- **Le produit ne répond qu'aux basses fréquences de la musique (basses et batteries).**
- **Le laser s'éteint en mode son après 3 secondes de silence ou de bruit sous le réglage de sensibilité.**

Dimmer

Pour régler le gradateur du GigBAR MOVE + ILS, procédez comme suit :

1. Appuyez sur la touche **<MENU>** pour afficher le menu principal à l'écran.
2. Utilisez les touches **<UP>** ou **<DOWN>** jusqu'à ce que **AUTO** ou **SOUND** soit sélectionné.
3. Appuyez sur la touche **<ENTER>**.
4. Utilisez les touches **<UP>** ou **<DOWN>** pour sélectionner **Dimmer**.
5. Appuyez sur la touche **<ENTER>**.
6. Utilisez **<UP>** ou **<DOWN>** pour régler le variateur de **0–255**.
7. Appuyez sur la touche **<ENTER>**.

Stroboscope

Pour régler le stroboscope sur le GigBAR MOVE + ILS, suivre les instructions ci-dessous :

1. Appuyez sur la touche **<MENU>** pour afficher le menu principal à l'écran.
2. Utilisez les touches **<UP>** ou **<DOWN>** jusqu'à ce que **AUTO** ou **SOUND** soit sélectionné.
3. Appuyez sur la touche **<ENTER>**.
4. Utilisez les touches **<UP>** ou **<DOWN>** pour sélectionner **Strobe**.
5. Appuyez sur la touche **<ENTER>**.
6. Utilisez **<UP>** ou **<DOWN>** pour régler le stroboscope de **0–20**.
7. Appuyez sur la touche **<ENTER>**.

L'heure du programme

Pour régler l'heure du programme sur le GigBAR MOVE + ILS, procédez comme suit :

1. Appuyez sur la touche **<MENU>** pour afficher le menu principal à l'écran.
2. Utilisez les touches **<UP>** ou **<DOWN>** jusqu'à ce que **AUTO** ou **SOUND** soit sélectionné.
3. Appuyez sur la touche **<ENTER>**.
4. Utilisez les touches **<UP>** ou **<DOWN>** pour sélectionner **Program Time**.
5. Appuyez sur la touche **<ENTER>**.
6. Utilisez **<UP>** ou **<DOWN>** pour régler la minuterie de **0–255** (secondes).
7. Appuyez sur la touche **<ENTER>**.

Couleurs de pars

Permet de définir les couleurs que les pars afficheront lorsqu'ils seront réglés sur le programme Automatique, suivre les instructions ci-dessous :

1. Appuyez sur la touche **<MENU>** pour afficher le menu principal à l'écran.
2. Utilisez les touches **<UP>** ou **<DOWN>** jusqu'à ce que **AUTO** ou **SOUND** soit sélectionné.
3. Appuyez sur la touche **<ENTER>**.
4. Utilisez les touches **<UP>** ou **<DOWN>** pour sélectionner **Pars Color**.
5. Appuyez sur la touche **<ENTER>**.
6. Utilisez **<UP>** ou **<DOWN>** pour sélectionner entre **Tri** (utiliser RVB), **Quad** (utiliser RVBA) ou **Hex** (utiliser toutes les couleurs).
7. Appuyez sur la touche **<ENTER>**.

Vitesse du spot

Permet de contrôler manuellement la vitesse de la tête mobile en mode Sound-Active sur le GigBAR MOVE + ILS, procédez comme suit :

1. Appuyez sur la touche **<MENU>** pour afficher le menu principal à l'écran.
2. Utilisez les touches **<UP>** ou **<DOWN>** jusqu'à ce que **SOUND** soit sélectionné.
3. Appuyez sur la touche **<ENTER>**.
4. Utilisez les touches **<UP>** ou **<DOWN>** pour sélectionner **Spot Speed**.
5. Appuyez sur la touche **<ENTER>**.
6. Utilisez **<UP>** ou **<DOWN>** pour définir la vitesse de **0** (son actif) ou **1–99** (vitesse manuelle, lente à rapide).
7. Appuyez sur la touche **<ENTER>**.

Perte de son

Permet de définir ce que la barre entière fera lorsque le son est perdu, suivre les instructions ci-dessous :

1. Appuyez sur la touche **<MENU>** pour afficher le menu principal à l'écran.
2. Utilisez les touches **<UP>** ou **<DOWN>** jusqu'à ce que **SOUND** soit sélectionné.
3. Appuyez sur la touche **<ENTER>**.
4. Utilisez les touches **<UP>** ou **<DOWN>** pour sélectionner **Sound Lost**.
5. Appuyez sur la touche **<ENTER>**.
6. Utilisez **<UP>** ou **<DOWN>** pour sélectionner entre **Slow** (la paire, le derby, le laser et le stroboscope s'arrêteront avec le dernier réglage. La couleur/gobo des têtes mobiles s'arrêtera avec le dernier réglage et le mouvement se déroulera lentement), **Freeze** (toute la barre se figera avec le dernier réglage) ou **Blackout** (toute la barre s'éteindra).
7. Appuyez sur la touche **<ENTER>**.

Panoramique inversé

Permet de définir manuellement l'orientation du panoramique sur le GigBAR MOVE + ILS, procédez comme suit :

1. Appuyez sur la touche **<MENU>** pour afficher le menu principal à l'écran.
2. Utilisez les touches **<UP>** ou **<DOWN>** jusqu'à ce que **SETUP** soit sélectionné.
3. Appuyez sur la touche **<ENTER>**.
4. Utilisez les touches **<UP>** ou **<DOWN>** pour sélectionner **Pan1 Reverse** (pour Spot 1) ou **Pan2 Reverse** (pour Spot 2).
5. Appuyez sur la touche **<ENTER>**.
6. Utilisez **<UP>** ou **<DOWN>** pour sélectionner **OFF** (le mouvement panoramique normal) or **ON** (le mouvement panoramique inversé).
7. Appuyez sur la touche **<ENTER>**.

Tilt inversé

Permet de définir manuellement l'orientation du tilt sur GigBAR MOVE + ILS, suivre les instructions ci-dessous :

1. Appuyez sur la touche **<MENU>** pour afficher le menu principal à l'écran.
2. Utilisez les touches **<UP>** ou **<DOWN>** jusqu'à ce que **SETUP** soit sélectionné.
3. Appuyez sur la touche **<ENTER>**.
4. Utilisez les touches **<UP>** ou **<DOWN>** pour sélectionner **Tilt1 Reverse** (pour Spot 1) ou **Tilt2 Reverse** (pour Spot 2).
5. Appuyez sur la touche **<ENTER>**.
6. Utilisez **<UP>** ou **<DOWN>** pour sélectionner **OFF** (le mouvement d'inclinaison normal) or **ON** (le mouvement d'inclinaison inversé).
7. Appuyez sur la touche **<ENTER>**.

Plage de pan

Permet de régler l'angle maximum du panoramique sur le GigBAR MOVE + ILS, procédez comme suit :

1. Appuyez sur la touche **<MENU>** pour afficher le menu principal à l'écran.
2. Utilisez les touches **<UP>** ou **<DOWN>** jusqu'à ce que **SETUP** soit sélectionné.
3. Appuyez sur la touche **<ENTER>**.
4. Utilisez les touches **<UP>** ou **<DOWN>** pour sélectionner **Pan Range**.
5. Appuyez sur la touche **<ENTER>**.
6. Utilisez **<UP>** ou **<DOWN>** pour définir l'angle panoramique, de **180** (180°), **360** (360°), ou jusqu'à **540** (540°).
7. Appuyez sur la touche **<ENTER>**.

Plage de tilt

Permet de régler l'angle maximum du tilt sur le GigBAR MOVE + ILS, suivre les instructions ci-dessous :

1. Appuyez sur la touche **<MENU>** pour afficher le menu principal à l'écran.
2. Utilisez les touches **<UP>** ou **<DOWN>** jusqu'à ce que **SETUP** soit sélectionné.
3. Appuyez sur la touche **<ENTER>**.
4. Utilisez les touches **<UP>** ou **<DOWN>** pour sélectionner **Tilt Range**.
5. Appuyez sur la touche **<ENTER>**.
6. Utilisez **<UP>** ou **<DOWN>** pour régler l'angle d'inclinaison, de **90** (90°), **180** (180°) ou jusqu'à **270** (270°).
7. Appuyez sur la touche **<ENTER>**.

Réinitialisation des paramètres d'usine

Permet de réinitialiser des fonctions spécifiques ou le produit dans son intégralité, procédez comme suit :

1. Appuyez sur la touche **<MENU>** pour afficher le menu principal à l'écran.
2. Utilisez les touches **<UP>** ou **<DOWN>** jusqu'à ce que **SETUP** soit sélectionné.
3. Appuyez sur la touche **<ENTER>**.
4. Utilisez les touches **<UP>** ou **<DOWN>** pour sélectionner **RESET**.
5. Appuyez sur la touche **<ENTER>**.
6. Utilisez **<UP>** ou **<DOWN>** pour sélectionner **YES** (réinitialiser la configuration du produit)) or **NO** (pour annuler).
7. Appuyez sur la touche **<ENTER>**.

Configuration (DMX)

Le GigBAR MOVE + ILS fonctionne avec un contrôleur DMX. Pour plus d'informations sur le DMX, téléchargez l'introduction au DMX de CHAUVET sur le site internet de Chauvet à l'adresse :

http://www.chauvetlighting.com/downloads/DMX_Primer_rev05_WO.pdf.

Adresse de départ

Lors de la sélection d'une adresse DMX de départ, veillez à toujours prendre en compte le nombre de canaux DMX utilisés par le mode DMX sélectionné. Si vous choisissez une adresse de départ trop élevée vous pouvez restreindre l'accès à certains des canaux de l'appareil.

Le GigBAR MOVE + ILS utilise jusqu'à 3 canaux DMX, ce qui détermine la plus haute adresse configurable à **461**.

S'il vous manque des informations sur le protocole DMX ou si vous souhaitez approfondir vos connaissances, vous pouvez télécharger l'introduction au DMX à l'adresse www.chauvetdj.com.

Pour définir l'adresse DMX de départ, effectuez les actions suivantes :

1. Appuyez sur la touche **<MENU>** pour afficher le menu principal à l'écran.
2. Utilisez les touches **<UP>** ou **<DOWN>** jusqu'à ce que **DMX** soit sélectionné.
3. Appuyez sur la touche **<ENTER>**.
4. Appuyez à nouveau sur la touche **<ENTER>**.
5. Utilisez **<UP>** ou **<DOWN>** pour sélectionner le canal DMX: **3CH**, **30CH** ou **52CH**.
6. Appuyez sur la touche **<ENTER>**.
7. Utilisez **<UP>** ou **<DOWN>** pour sélectionner **Address**.
8. Appuyez sur la touche **<ENTER>**.
9. Utilisez **<UP>** ou **<DOWN>** augmenter ou diminuer l'adresse de départ.
10. Appuyez sur la touche **<ENTER>**.

Affectation de canaux DMX et valeurs

Gobos



1



2



3



4



5



6



7



8



9

52 canaux

Canal	Fonction	Valeur	Pourcentage/Paramétrage
1	Contrôle du Par 1	000 ⇔ 255	Par 1 rouge, DIM
2		000 ⇔ 255	Par 1 vert, DIM
3		000 ⇔ 255	Par 1 bleue, DIM
4		000 ⇔ 255	Par 1 ambre, DIM
5		000 ⇔ 255	Par 1 blanc, DIM
6		000 ⇔ 255	Par 1 UV, DIM
7		000 ⇔ 250 251 ⇔ 255	Stroboscope, lent à rapide Stroboscope en fonction du son
8	Contrôle du Par 2	000 ⇔ 255	Par 2 rouge, DIM
9		000 ⇔ 255	Par 2 vert, DIM
10		000 ⇔ 255	Par 2 bleue, DIM
11		000 ⇔ 255	Par 2 ambre, DIM
12		000 ⇔ 255	Par 2 blanc, DIM
13		000 ⇔ 255	Par 2 UV, DIM
14		000 ⇔ 250 251 ⇔ 255	Stroboscope, lent à rapide Stroboscope en fonction du son
15	Contrôle du Derby 1	000 ⇔ 255	Derby 1 rouge
16		000 ⇔ 255	Derby 1 vert
17		000 ⇔ 255	Derby 1 bleu
18		000 ⇔ 255	Derby 1 blanc
19		000 ⇔ 250 251 ⇔ 255	Stroboscope, lent à rapide Stroboscope en fonction du son
20		000 001 ⇔ 127 128 129 ⇔ 255	Arrêt Rotation horaire, lent à rapide Arrêt Rotation antihoraire, lent à rapide
21		Contrôle du Derby 2	000 ⇔ 255
22	000 ⇔ 255		Derby 2 vert
23	000 ⇔ 255		Derby 2 bleu
24	000 ⇔ 255		Derby 2 blanc
25	000 ⇔ 250 251 ⇔ 255		Stroboscope, lent à rapide Stroboscope en fonction du son
26	000 001 ⇔ 127 128 129 ⇔ 255		Arrêt Rotation horaire, lent à rapide Arrêt Rotation antihoraire, lent à rapide

Canal	Fonction	Valeur	Pourcentage/Paramétrage
27	Flash	000 ⇔ 255	LED blanche 1 gradateur
28		000 ⇔ 255	LED blanche 2 gradateur
29		000 ⇔ 255	LED blanche 3 gradateur
30		000 ⇔ 255	LED blanche 4 gradateur
31		000 ⇔ 250 251 ⇔ 255	Stroboscope, lent à rapide Stroboscope en fonction du son
32	Couleur du Laser	000 ⇔ 005	Noir général
		006 ⇔ 041	Rouge
		042 ⇔ 077	Vert
		078 ⇔ 113	Bleu
		114 ⇔ 149	Rouge + vert
		150 ⇔ 185	Rouge + bleu
		186 ⇔ 221	Vert + bleu
		222 ⇔ 255	Rouge + vert + bleu
33		000 ⇔ 255	Stroboscope, lent à rapide
34		000 001 ⇔ 127 128 129 ⇔ 255	Arrêt Rotation horaire, lent à rapide Arrêt Rotation antihoraire, lent à rapide
35	Contrôle du Spot 1	000 ⇔ 255	Panoramique
36		000 ⇔ 255	Panoramique fin
37		000 ⇔ 255	Inclinaison
38		000 ⇔ 255	Inclinaison fin
39		000 ⇔ 255	Vitesse panoramique/inclinaison
40	Spot 1 roue de couleur	000 ⇔ 006	Blanc
		007 ⇔ 013	Rouge
		014 ⇔ 020	Orange
		021 ⇔ 027	Jaune
		028 ⇔ 034	Vert
		035 ⇔ 041	Bleu
		042 ⇔ 048	CTO 400K
		049 ⇔ 055	Cyan
		056 ⇔ 062	Magenta
		063 ⇔ 064	Vert citron
		065 ⇔ 189	Index des couleurs
		190 ⇔ 221	Défilement des couleurs dans le sens horaire, rapide à lent
		222 ⇔ 223	Arrêt
		224 ⇔ 255	Défilement des couleurs dans le sens antihoraire, lent à rapide

Canal	Fonction	Valeur	Pourcentage/Paramétrage
41	Spot 1 roue de gobos (voir Gobos)	000 ⇔ 005	Ouvert
		006 ⇔ 011	Gobo 1
		012 ⇔ 017	Gobo 2
		018 ⇔ 023	Gobo 3
		024 ⇔ 029	Gobo 4
		030 ⇔ 035	Gobo 5
		036 ⇔ 041	Gobo 6
		042 ⇔ 047	Gobo 7
		048 ⇔ 053	Gobo 8
		054 ⇔ 063	Gobo 9
		064 ⇔ 069	Gobo 9 vibrante, lent à rapide
		070 ⇔ 075	Gobo 8 vibrante, lent à rapide
		076 ⇔ 081	Gobo 7 vibrante, lent à rapide
		082 ⇔ 087	Gobo 6 vibrante, lent à rapide
		088 ⇔ 093	Gobo 5 vibrante, lent à rapide
		094 ⇔ 099	Gobo 4 vibrante, lent à rapide
		100 ⇔ 105	Gobo 3 vibrante, lent à rapide
106 ⇔ 111	Gobo 2 vibrante, lent à rapide		
112 ⇔ 117	Gobo 1 vibrante, lent à rapide		
118 ⇔ 127	Ouvert		
128 ⇔ 189	Défilement des couleurs horaire, rapide à lent		
190 ⇔ 193	Ouvert		
194 ⇔ 255	Défilement des couleurs antihoraire, rapide à lent		
42	Variateur Spot 1	000 ⇔ 255	0–100%
43	Stroboscope Spot 1	000 ⇔ 003	Fermé
		004 ⇔ 007	Ouvert
		008 ⇔ 076	Strobe, lent à rapide
		077 ⇔ 145	Stroboscope à pulsations, lent à rapide
		146 ⇔ 215	Strobe aléatoire, lent à rapide
216 ⇔ 255	Ouvert		
44	Contrôle du Spot 2	000 ⇔ 255	Panoramique
45		000 ⇔ 255	Panoramique fin
46		000 ⇔ 255	Inclinaison
47		000 ⇔ 255	Inclinaison fin
48		000 ⇔ 255	Vitesse panoramique/inclinaison

Canal	Fonction	Valeur	Pourcentage/Paramétrage
49	Spot 2 roue de couleur	000 ⇔ 006	Blanc
		007 ⇔ 013	Rouge
		014 ⇔ 020	Orange
		021 ⇔ 027	Jaune
		028 ⇔ 034	Vert
		035 ⇔ 041	Bleu
		042 ⇔ 048	CTO 400K
		049 ⇔ 055	Cyan
		056 ⇔ 062	Magenta
		063 ⇔ 064	Vert citron
		065 ⇔ 189	Index des couleurs
		190 ⇔ 221	Défilement des couleurs dans le sens horaire, rapide à lent
222 ⇔ 223	Arrêt		
224 ⇔ 255	Défilement des couleurs dans le sens antihoraire, lent à rapide		
50	Spot 2 roue de gobos (voir Gobos)	000 ⇔ 005	Ouvert
		006 ⇔ 011	Gobo 1
		012 ⇔ 017	Gobo 2
		018 ⇔ 023	Gobo 3
		024 ⇔ 029	Gobo 4
		030 ⇔ 035	Gobo 5
		036 ⇔ 041	Gobo 6
		042 ⇔ 047	Gobo 7
		048 ⇔ 053	Gobo 8
		054 ⇔ 063	Gobo 9
		064 ⇔ 069	Gobo 9 vibrante, lent à rapide
		070 ⇔ 075	Gobo 8 vibrante, lent à rapide
		076 ⇔ 081	Gobo 7 vibrante, lent à rapide
		082 ⇔ 087	Gobo 6 vibrante, lent à rapide
		088 ⇔ 093	Gobo 5 vibrante, lent à rapide
		094 ⇔ 099	Gobo 4 vibrante, lent à rapide
		100 ⇔ 105	Gobo 3 vibrante, lent à rapide
		106 ⇔ 111	Gobo 2 vibrante, lent à rapide
112 ⇔ 117	Gobo 1 vibrante, lent à rapide		
118 ⇔ 127	Ouvert		
128 ⇔ 189	Défilement des couleurs horaire, rapide à lent		
190 ⇔ 193	Ouvert		
194 ⇔ 255	Défilement des couleurs antihoraire, rapide à lent		
51	Variateur Spot 2	000 ⇔ 255	0–100%
52	Stroboscope Spot 2	000 ⇔ 003	Fermé
		004 ⇔ 007	Ouvert
		008 ⇔ 076	Strobe, lent à rapide
		077 ⇔ 145	Stroboscope à pulsations, lent à rapide
		146 ⇔ 215	Strobe aléatoire, lent à rapide
216 ⇔ 255	Ouvert		

30 canaux

Canal	Fonction	Valeur	Pourcentage/Paramétrage
1	Contrôle du Par	000 ⇔ 255	Par rouge, DIM
2		000 ⇔ 255	Par vert, DIM
3		000 ⇔ 255	Par bleue, DIM
4		000 ⇔ 255	Par ambre, DIM
5		000 ⇔ 255	Par blanc, DIM
6		000 ⇔ 255	Par UV, DIM
7		000 ⇔ 250 251 ⇔ 255	Stroboscope, lent à rapide Stroboscope en fonction du son
8	Contrôle du Derby	000 ⇔ 255	Derby rouge
9		000 ⇔ 255	Derby vert
10		000 ⇔ 255	Derby bleu
11		000 ⇔ 255	Derby blanc
12		000 ⇔ 250 251 ⇔ 255	Stroboscope, lent à rapide Stroboscope en fonction du son
13		000	Arrêt
		001 ⇔ 127 128	Rotation horaire, lent à rapide Arrêt
	129 ⇔ 255	Rotation antihoraire, lent à rapide	
14	Flash	000 ⇔ 255	LED blanche 1 gradateur
15		000 ⇔ 255	LED blanche 2 gradateur
16		000 ⇔ 255	LED blanche 3 gradateur
17		000 ⇔ 255	LED blanche 4 gradateur
18		000 ⇔ 250 251 ⇔ 255	Stroboscope, lent à rapide Stroboscope en fonction du son
19	Couleur du Laser	000 ⇔ 005	Noir général
20		006 ⇔ 041	Rouge
		042 ⇔ 077	Vert
		078 ⇔ 113	Bleu
		114 ⇔ 149	Rouge + vert
		150 ⇔ 185	Rouge + bleu
		186 ⇔ 221	Vert + bleu
		222 ⇔ 255	Rouge + vert + bleu
21	000 ⇔ 255	Stroboscope, lent à rapide	
22	000	Arrêt	
	001 ⇔ 127 128	Rotation horaire, lent à rapide Arrêt	
	129 ⇔ 255	Rotation antihoraire, lent à rapide	
23	Contrôle du Spot	000 ⇔ 255	Panoramique
24		000 ⇔ 255	Panoramique fin
25		000 ⇔ 255	Inclinaison
26		000 ⇔ 255	Inclinaison fin
		000 ⇔ 255	Vitesse panoramique/inclinaison

Canal	Fonction	Valeur	Pourcentage/Paramétrage
27	Spot roue de couleur	000 ⇔ 006	Blanc
		007 ⇔ 013	Rouge
		014 ⇔ 020	Orange
		021 ⇔ 027	Jaune
		028 ⇔ 034	Vert
		035 ⇔ 041	Bleu
		042 ⇔ 048	CTO 400K
		049 ⇔ 055	Cyan
		056 ⇔ 062	Magenta
		063 ⇔ 064	Vert citron
		065 ⇔ 189	Index des couleurs
		190 ⇔ 221	Défilement des couleurs dans le sens horaire, rapide à lent
		222 ⇔ 223	Arrêt
224 ⇔ 255	Défilement des couleurs dans le sens antihoraire, lent à rapide		
28	Spot roue de gobos (voir Gobos)	000 ⇔ 005	Ouvert
		006 ⇔ 011	Gobo 1
		012 ⇔ 017	Gobo 2
		018 ⇔ 023	Gobo 3
		024 ⇔ 029	Gobo 4
		030 ⇔ 035	Gobo 5
		036 ⇔ 041	Gobo 6
		042 ⇔ 047	Gobo 7
		048 ⇔ 053	Gobo 8
		054 ⇔ 063	Gobo 9
		064 ⇔ 069	Gobo 9 vibrante, lent à rapide
		070 ⇔ 075	Gobo 8 vibrante, lent à rapide
		076 ⇔ 081	Gobo 7 vibrante, lent à rapide
		082 ⇔ 087	Gobo 6 vibrante, lent à rapide
		088 ⇔ 093	Gobo 5 vibrante, lent à rapide
		094 ⇔ 099	Gobo 4 vibrante, lent à rapide
		100 ⇔ 105	Gobo 3 vibrante, lent à rapide
		106 ⇔ 111	Gobo 2 vibrante, lent à rapide
		112 ⇔ 117	Gobo 1 vibrante, lent à rapide
		118 ⇔ 127	Ouvert
128 ⇔ 189	Défilement des couleurs horaire, rapide à lent		
190 ⇔ 193	Ouvert		
194 ⇔ 255	Défilement des couleurs antihoraire, rapide à lent		
29	Variateur Spot	000 ⇔ 255	0–100%
30	Stroboscope Spot	000 ⇔ 003	Fermé
		004 ⇔ 007	Ouvert
		008 ⇔ 076	Strobe, lent à rapide
		077 ⇔ 145	Stroboscope à pulsations, lent à rapide
		146 ⇔ 215	Strobe aléatoire, lent à rapide
		216 ⇔ 255	Ouvert

3 canaux

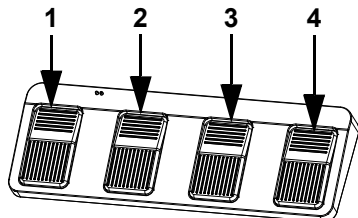
Canal	Fonction	Valeur	Pourcentage/Paramétrage
1	Fonctionnement	000 ⇔ 005	Pas de fonction
		006 ⇔ 013	Mélange 1
		014 ⇔ 022	Mélange 2
		023 ⇔ 031	Mélange 3
		032 ⇔ 040	Mélange 4
		041 ⇔ 049	Pars + Derby lumières + Laser + Stroboscopes
		050 ⇔ 058	Pars + Derby lumières + Laser + Tête mobiles
		059 ⇔ 067	Pars + Derby lumières + Stroboscopes + Tête mobiles
		068 ⇔ 076	Pars + Laser + Stroboscopes + Tête mobiles
		077 ⇔ 085	Derby lumières + Laser + Stroboscopes + Tête mobiles
		086 ⇔ 094	Pars + Derby lumières + Laser
		095 ⇔ 103	Pars + Derby lumières + Stroboscopes
		104 ⇔ 112	Pars + Derby lumières + Tête mobiles
		113 ⇔ 121	Pars + Laser + Stroboscopes
		122 ⇔ 130	Pars + Laser + Tête mobiles
		131 ⇔ 139	Pars + Stroboscopes + Tête mobiles
		140 ⇔ 147	Pars et Derby lumières
		148 ⇔ 155	Pars et Laser
		156 ⇔ 163	Pars et Stroboscopes
		164 ⇔ 171	Pars et Tête mobiles
		172 ⇔ 179	Derby lumières et Laser
		180 ⇔ 187	Derby lumières et Stroboscopes
		188 ⇔ 195	Derby lumières et Tête mobiles
		196 ⇔ 203	Laser et Stroboscopes
		204 ⇔ 211	Laser et Tête mobiles
		212 ⇔ 219	Stroboscopes et Tête mobiles
		220 ⇔ 227	UNIQUEMENT les Pars allumés
		228 ⇔ 235	UNIQUEMENT les Derby lumières allumés
		236 ⇔ 243	UNIQUEMENT le laser allumé
		244 ⇔ 251	UNIQUEMENT les stroboscopes allumés
		252 ⇔ 255	UNIQUEMENT le tête mobiles allumé
		2	Vitesse
250 ⇔ 255	Vitesse, lente à rapide (définit le programme sonore dans CH1)		
3	Vitesse Spot XY	000 ⇔ 255	Vitesse Spot XY, lent à rapide



Lorsque la valeur de CH2 est comprise entre 000-127, le CH1 est en mode Auto. Lorsque la valeur de CH2 est comprise entre 128-255, CH1 est en mode Son.

Utilisation de la pédale sans fil

La pédale sans fil incluse permet un accès rapide aux couleurs prédéfinies, aux programmes de changement de couleurs et à l'activation par le son grâce au microphone du GigBAR MOVE + ILS. Pour utiliser la pédale:



1. Branchez le GigBAR MOVE + ILS sur le courant. Allumez la pédale sans fil.
2. Appuyez sur la touche **<MENU>** du GigBAR MOVE + ILS jusqu'à ce que l'écran affiche **SYS**, puis appuyez sur la touche **<ENTER>**.
3. Utilisez les touches **<UP>** ou **<DOWN>** pour sélectionner **FOOT**, et appuyez sur la touche **<ENTER>**.
4. Utilisez les touches **<UP>** ou **<DOWN>** pour sélectionner l'élément **COMMON** (pour connecter un appareil GigBAR MOVE + ILS à n'importe quelle télécommande RF) ou l'élément **BIND** (pour appairer une télécommande RF à un appareil GigBAR MOVE + ILS spécifique).
5. Appuyez sur la touche **<ENTER>**.
6. Utilisez le tableau ci-dessous pour activer la fonction souhaitée.

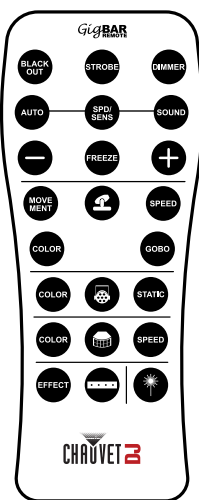
Pedal	Action	Functions
1 (Programmes automatiques)	Appuyer sur la pédale pour activer, puis appuyer pour se positionner sur la fonction souhaitée	Programmes automatiques
2 (Mode son-activé)	Appuyez et maintenez	Programme son-activé
3 (Couleurs statiques)	Appuyez	Fait défiler les couleurs (Éclairage Pars et Derby UNIQUEMENT)
4 (Noir général)	Appuyez	Noir général



La pédale du GigBAR MOVE + ILS fonctionne correctement dans n'importe quel mode, avec une distance sans obstacle maximale de 30,5 m (100 pi). Vous devez activer le mode ir du GigBAR MOVE + ILS, établir canal ir, et positionnez-vous sur le mode Auto avant de pouvoir utiliser la pédale.

RF télécommande

Le GigBAR MOVE + ILS est compatible avec la télécommande RF. Pour activer la commande RF, suivre les instructions ci-dessous.



1. Connectez le GigBAR MOVE + ILS à l'alimentation. Allumez la pédale de commande sans fil.
2. Appuyez sur **<MENU>** sur le GigBAR MOVE + ILS jusqu'à ce que **SETUP** s'affiche à l'écran, puis appuyez sur **<ENTER>**.
3. Utilisez **<UP>** ou **<DOWN>** pour sélectionner **FOOT** puis appuyez sur **<ENTER>**.
4. Utilisez **<UP>** ou **<DOWN>** pour sélectionner **COMMON** (pour utiliser le GigBAR MOVE + ILS avec n'importe quelle pédale de commande) ou **BIND** (pour coupler une pédale de commande à un appareil GigBAR MOVE + ILS spécifique).
5. Appuyez sur **<ENTER>**.
6. Utilisez le tableau ci-dessous pour activer la fonction souhaitée.

Fonctionnement de la télécommande RF

Noir général

Pour éteindre les lasers avec la télécommande RF :

- Appuyez sur la touche **<BLACK OUT>** sur la télécommande RF.

Cela permet de désactiver tous les lasers jusqu'à ce que le bouton soit appuyé à nouveau.

REMARQUE : La télécommande RF ne répond à aucune commande lorsque le mode Noir général (Black Out) est activé. Si l'appareil ne répond pas lors de l'appui sur une touche, essayez d'appuyer sur la touche **<BLACK OUT>**. Le mode Black Out est peut être activé.

Stroboscope

Pour activer le stroboscope en mode manuel à l'aide de la télécommande RF :

1. Appuyez en laissant enfoncé la touche **<STROBE>** sur la télécommande RF.
2. Appuyez sur les touches **<+>** ou **<->** pour régler le stroboscope.

Gradateur

Pour régler le gradateur à l'aide de la télécommande RF :

1. Appuyez en laissant enfoncé la touche **<DIMMER>** sur la télécommande RF.
2. Appuyez sur les touches **<+>** ou **<->** pour régler la luminosité.

Mode automatique

Le mode automatique vous permet de lancer des programmes automatiques sur l'appareil. Pour activer le mode automatique avec la télécommande RF :

1. Appuyez en laissant enfoncé la touche **<AUTO>** sur la télécommande RF.
2. Appuyez sur les touches **<+>** ou **<->** pour sélectionner parmi les différents programmes automatiques

Vitesse

Pour régler le programme automatique/la vitesse du spot avec la télécommande RF :

1. Appuyez sur la touche **<SPD>** sur la télécommande RF.
2. Appuyez sur les touches **<+>** ou **<->** pour augmenter ou diminuer la vitesse du programme.

Mode activation par le son

Pour activer le mode activation par le son avec la télécommande RF :

1. Appuyez en laissant enfoncé la touche **<SOUND>** sur la télécommande RF.
2. Appuyez sur les touches **<+>** ou **<->** pour sélectionner un programme d'activation par le son.

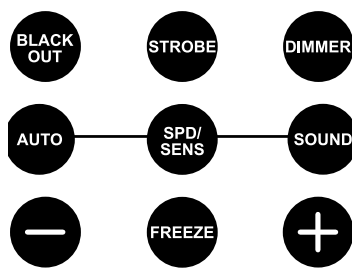
Pour ajuster la sensibilité au son :

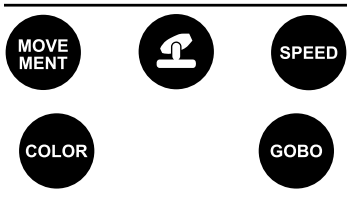
1. Appuyez sur la touche **<SENS>** sur la télécommande RF.
2. Appuyez sur les touches **<+>** ou **<->** pour augmenter ou diminuer la sensibilité.

Gel

Utilisez la télécommande RF pour mettre en pause un programme automatique :

1. Appuyez sur la touche **<FREEZE>** sur la télécommande RF.





Programme pour Spots

Pour sélectionner un programme pour spot à l'aide d'une télécommande RF :

1. Appuyez sur la touche Spots icon button sur la télécommande RF.
2. Appuyez sur la touche **<MOVEMENT>** sur la télécommande RF.
3. Appuyez sur **<+>** ou **<->** pour modifier le programme de mouvement.

Vitesse XY des Spots

Pour régler la vitesse d'orientation et d'inclinaison des spots à l'aide d'une télécommande RF :

1. Appuyez sur la touche Spots icon button sur la télécommande RF.
2. Appuyez sur la touche **<SPEED>** sur la télécommande RF.
3. Appuyez sur les touches **<+>** ou **<->** pour augmenter ou diminuer la vitesse d'orientation/inclinaison.

Couleur des Spots

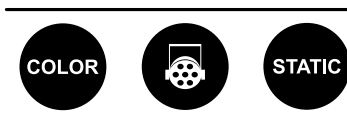
Pour sélectionner une couleur pour les spots à l'aide d'une télécommande RF :

1. Appuyez sur la touche Spots icon button sur la télécommande RF.
2. Appuyez sur la touche **<COLOR>** sur la télécommande RF.
3. Appuyez sur les touches **<+>** ou **<->** pour parcourir la roue des couleurs.

Gobo pour Spots

Pour sélectionner un gobo pour les spots à l'aide d'une télécommande RF :

1. Appuyez sur la touche Spots icon button sur la télécommande RF.
2. Appuyez sur la touche **<GOBO>** sur la télécommande RF.
3. Appuyez sur les touches **<+>** ou **<->** pour parcourir la roue des gobos.



Programme pour projecteur Par

Pour sélectionner un programme pour projecteur PAR à l'aide d'une télécommande RF :

1. Appuyez sur la touche Par icon button sur la télécommande RF.
2. Appuyez sur la touche **<COLOR>** sur la télécommande RF.
3. Appuyez sur **<+>** ou **<->** pour faire défiler les programmes de couleur.

Couleur de projecteur Par

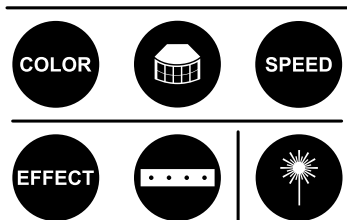
Pour sélectionner une couleur statique pour un projecteur PAR à l'aide d'une télécommande RF :

1. Appuyez sur la touche Par icon button sur la télécommande RF.
2. Appuyez sur la touche **<STATIC>** sur la télécommande RF.
3. Appuyez sur **<+>** ou **<->** pour faire défiler les couleurs statiques.

Programme pour Derby

Pour sélectionner un programme pour derby à l'aide d'une télécommande RF :

1. Appuyez sur la touche Derby icon button sur la télécommande RF.
2. Appuyez sur la touche **<COLOR>** sur la télécommande RF.
3. Appuyez sur **<+>** ou **<->** pour faire défiler les couleurs.



Vitesse de Derby

Pour régler la vitesse de rotation du derby à l'aide d'une télécommande RF :

1. Appuyez sur la touche Derby icon button sur la télécommande RF.
2. Appuyez sur la touche **<SPEED>** sur la télécommande RF.
3. Appuyez sur les touches **<+>** ou **<->** pour augmenter ou diminuer vitesse de rotation.

Laser

Pour allumer ou éteindre le laser à l'aide d'une télécommande RF :

1. Appuyez sur la touche Laser icon button sur la télécommande RF.

Programme stroboscope

Pour sélectionner un programme pour le stroboscope à l'aide d'une télécommande RF :

1. Appuyez sur la touche Strobe icon button sur la télécommande RF.
2. Appuyez sur la touche **<SPEED>** sur la télécommande RF.
3. Appuyez sur **<+>** ou **<->** pour faire défiler les effets.



- Toute commande ou réglage de la télécommande RF est enregistré jusqu'au redémarrage du système. Le système revient en mode automatique après redémarrage.
- Les boutons de la télécommande RF non mentionnés ci-dessus sont réservés pour usage ultérieur.

Mode maître/esclave

Le mode maître/esclave permet à un seul appareil GigBAR MOVE + ILS (le maître) de contrôler les actions d'un ou plusieurs autres appareils GigBAR MOVE + ILS (les esclaves) sans contrôleur DMX. L'appareil maître doit être réglé pour fonctionner en mode autonome ou avec la télécommande IR, tandis que les appareils esclaves doivent être paramétrés pour fonctionner en mode esclave. Une fois paramétrés et connectés, les appareils esclaves fonctionnent à l'unisson avec l'appareil maître. Configurez les appareils comme indiqué ci-dessous :

Appareils esclaves :

1. Appuyez sur **<MENU>** de manière répétée jusqu'à ce que **SETUP** s'affiche sur l'écran, puis appuyez sur **<ENTER>**.
2. Utilisez les touches **<UP>** ou **<DOWN>** pour sélectionner l'élément **DFI**, puis appuyez sur **<ENTER>**.
3. Utilisez les touches **<UP>** ou **<DOWN>** pour sélectionner l'élément **RX**, puis appuyez sur **<ENTER>**.
4. Utilisez les touches **<UP>** ou **<DOWN>** pour sélectionner le canal D-Fi de réception, de **1** à **16**.
5. Appuyez sur **<ENTER>**.
6. Appuyez sur **<MENU>** de manière répétée jusqu'à ce que **SLAVE** s'affiche sur l'écran, puis appuyez sur **<ENTER>**.
7. Continuez jusqu'à ce que tous les appareils esclaves soient paramétrés et connectés.

Appareil maître :

1. Appuyez sur **<MENU>** de manière répétée jusqu'à ce que **SETUP** s'affiche sur l'écran, puis appuyez sur **<ENTER>**.
2. Utilisez les touches **<UP>** ou **<DOWN>** pour sélectionner l'élément **DFI**, puis appuyez sur **<ENTER>**.
3. Utilisez les touches **<UP>** ou **<DOWN>** pour sélectionner l'élément **TX**, puis appuyez sur **<ENTER>**.
4. Utilisez les touches **<UP>** ou **<DOWN>** pour sélectionner le canal D-Fi de transmission, de **1** à **16**.
5. Appuyez sur **<ENTER>**.



- **Assurez-vous que les appareils esclaves sont configurés sur le même canal D-Fi que l'appareil maître.**
- **Configurez tous les appareils esclaves avant de connecter le maître à la chaîne DMX.**
- **Ne jamais connecter un contrôleur DMX à une chaîne DMX configurée pour le fonctionnement en maître/esclave car le contrôleur peut rentrer en conflit avec les signaux du maître.**

5. Entretien

Entretien de l'appareil

L'accumulation de poussière réduit la production de lumière et peut entraîner une surchauffe de l'appareil. Cela peut entraîner une diminution de la durée de vie de la source de lumière et/ou une usure mécanique. Pour conserver des performances optimales et réduire l'usure, nettoyez vos appareils d'éclairage au moins deux fois par mois. Veuillez cependant bien garder à l'esprit que l'utilisation et les conditions environnementales peuvent contribuer à augmenter la fréquence de nettoyage.

Pour nettoyer l'appareil, suivez les instructions ci-dessous :

1. Débranchez l'appareil.
2. Attendez que l'appareil soit à la température ambiante.
3. Utilisez un aspirateur (ou un compresseur d'air) et une brosse douce pour enlever la poussière accumulée sur les surfaces/événements externes.
4. Nettoyez toutes les surfaces transparentes avec une solution douce de nettoyant pour vitres sans ammoniaque ou de l'alcool isopropylique.
5. Appliquez la solution directement sur un chiffon de coton doux et non pelucheux ou un tissu de nettoyage d'objectif.
6. Essuyez soigneusement toute trace de saleté ou d'encrassement sur la surface transparente.
7. Nettoyez en douceur les surfaces transparentes jusqu'à ce que toute peluche ou trace ait disparue.



Assurez-vous de bien sécher toutes les surfaces transparentes après les avoir nettoyé.

6. Spécificités Techniques

Dimensions et poids

Longueur	Largeur	Hauteur	Poids
1100 mm (43 po)	144 mm (5,7 po)	449 mm (17,7 po)	14 kg (31 lb)

Remarque : Les dimensions en pouce sont arrondies.

Alimentation

Type d'alimentation	Plage	Sélection de tension
Commutation (interne)	Entre 100 et 240 VCA, 50/60 Hz	Universelle

Paramètre	120 V, 60 Hz	230 V, 50 Hz
Consommation	250 W	79 W
Courant de fonctionnement	3 A	0.6 A
Courant de chaînage électrique (produits)	8 A (2 products)	8 A (4 products)
Fusible	T 3,15 A, 250 V	T 3,15 A, 250 V

E/S alimentation	US/Monde	UK/Europe
Connecteur d'entrée d'alimentation	IEC	IEC
Connecteur de sortie d'alimentation	Edison	IEC
Prise du cordon d'alimentation	Edison (US)	Prise locale

Source lumineuse (laser)

Type	Alimentation	Longueur d'onde
Laser (rouge)	100 mW	650 nm
Laser (vert)	30 mW	520 nm
Laser (bleu)	100 mW	450 nm

Source lumineuse (derby)

Type	Color	Quantity	Power	Current	Lifespan
LED	RGBW (2 each)	8	6,5 W	2 A	50,000 hours

Source lumineuse (pars)

Type	Color	Quantity	Power	Current	Lifespan
LED	RGBAW + UV	3	6 W	2 A	50,000 hours

Source lumineuse (stroboscopes)

Type	Color	Quantity	Power	Current	Lifespan
LED	Cool white	4	5 W	1,2 A	50,000 hours

Source lumineuse (tête mobile)

Type	Color	Quantity	Power	Current	Lifespan
LED	Cool white	1	32 W	3 A	50,000 hours

Spécificités Techniques

Données photométrique

Angle de couverture (derby)	Angle de couverture (laser)	Angle de champs (pars)	Angle de champs (stroboscope)
131°	93°	33°	62°
Angle de faisceau (tête mobile)	Angle de faisceau (pars)	Angle de faisceau (stroboscope)	
17°	22°	30°	
Éclairage @ 2 m (pars)	Éclairage @ 2 m (tête mobile)	Éclairage @ 2 m (stroboscope)	
1,205 lux (par tête)	5,140 lux (par tête)	130 lux (par zone)	
Pan et Tilt	Fréquence de stroboscope		
540°/180°	0 à 30 Hz		

Thermique

Temp. externe minimum du laser	Temp. externe maximum du laser	Système de refroidissement
15 °C (59 °F)	35 °C (95 °F)	Convection assistée par ventilateur

DMX

Connecteurs E/S	Plage de canaux
Prise XLR à trois broches	3, 30, ou 52

Commande

Nom du produit	Code de l'article (EU)	Code UPC (EU)
GigBAR MOVE + ILS	10051948	781462222963



Nous Contacter

Informations Générales	Support Technique
Siège mondial de Chauvet	
Adresse : 3360 Davie Rd. Davie, FL 33314 Téléphone : (954) 577-4455 Télécopie : (954) 929-5560 N° vert : (800) 762-1084	Téléphone : (844) 393-7575 Télécopie : (954) 756-8015 E-mail : chauvetcs@chauvetlighting.com Site web : www.chauvetdj.com
Chauvet U.K.	
Adresse : Unit 1C Brookhill Road Industrial Estate Pinxtton, Nottingham, UK NG16 6NT Téléphone : +44 (0) 1773 511115 Fax : +44 (0) 1773 511110	E-mail : UKtech@chauvetlighting.eu Site web : www.chauvetdj.eu
Chauvet Benelux	
Adresse : Stokstraat 18 9770 Kruishoutem Belgium Téléphone : +32 9 388 93 97	E-mail : BNLtech@chauvetlighting.eu Site web : www.chauvetdj.eu
Chauvet France	
Adresse : 3, Rue Ampère 91380 Chilly-Mazarin France Téléphone : +33 1 78 85 33 59	E-mail : FRtech@chauvetlighting.fr Site web : www.chauvetdj.eu
Chauvet Germany	
Adresse : Bruno-Bürgel-Str. 11 28759 Bremen Germany Téléphone : +49 421 62 60 20	E-mail : DEtech@chauvetlighting.de Site web : www.chauvetdj.eu
Chauvet Mexico	
Adresse : Av. de las Partidas 34 - 3B (Entrance by Calle 2) Zona Industrial Lerma Lerma, Edo. de México, CP 52000 Téléphone : +52 (728) 690-2010	E-mail : servicio@chauvet.com.mx Site web : www.chauvetdj.mx

Garantie et retours

Pour l'enregistrement de la garantie et les conditions générales complètes, veuillez consulter le **site Web de Chauvet**.

Pour les clients du Royaume-Uni, de la République d'Irlande, de la Belgique, des Pays-Bas, du Luxembourg, de la France et de l'Allemagne : www.chauvetlighting.eu/warranty-registration.

1. Erste Schritte

Packungsinhalt

- GigBAR MOVE + ILS
- Netzkabel
- Funkfernbedienung
- Tragetasche
- Stativ
- Stativtragetasche
- Drahtloser Fußschalter mit Batterie
- Bedienungsanleitung

Anweisungen für das Auspacken

Packen Sie das Produkt sofort vorsichtig aus und überprüfen Sie, ob Sie alle Teile unbeschädigt erhalten haben.

Schadensmeldung





Wenn die Verpackung oder die in der Verpackung befindlichen Teile (Gerät und Zubehör) beschädigt sind oder Mängel durch nicht einwandfreie Behandlung aufweisen, benachrichtigen Sie umgehend das Transportunternehmen, nicht jedoch Chauvet. Eine nicht zeitnah erfolgte Benachrichtigung kann dazu führen, dass Sie Ihren Gewährleistungsanspruch gegenüber dem Transportunternehmen verlieren. Bewahren Sie überdies die Verpackung für eine spätere Überprüfung auf.

Bei anderen Problemen wie etwa fehlende Komponenten oder Teile, Schäden, die nicht durch den Transport entstanden sind, oder nicht offensichtliche Schäden, machen Sie Ihren Anspruch gegenüber Chauvet innerhalb von 7 Tagen ab Lieferung der Waren geltend.

Konventionen des Handbuchs

Konvention	Bedeutung
1–512	Eine Bandbreite an Werten
50/60	Ein Wertesatz, aus dem nur ein Wert ausgewählt werden kann
Settings	Eine Menüoption, die nicht geändert werden kann
<ENTER>	Eine zu betätigende Taste auf dem Bedienfeld des Geräts
ON	Ein Wert, der eingegeben oder ausgewählt werden muss

Symbole

Symbol	Bedeutung
	Wichtige Informationen zur Installation, Konfiguration und zum Betrieb. Bei Nichtbeachtung dieser Informationen kann es zu Fehlfunktionen oder Beschädigungen des Geräts oder zu Verletzungen des Bedieners kommen.
	Wichtige Informationen zur Installation oder Konfiguration. Wenn diese Informationen nicht beachtet werden, kann es zu Fehlfunktionen kommen.
	Nützliche Informationen.
	Hinweise zur Lasersicherheit.

Haftungsausschluss

Chauvet geht davon aus, dass alle in diesem Handbuch enthaltenen Informationen in jeder Hinsicht sorgfältig und genau sind. Chauvet übernimmt jedoch keine Haftung und schließt speziell jegliche Verantwortung gegenüber Dritten für Verluste, Schäden oder Störungen aus, die durch Fehler oder Auslassungen in diesem Dokument entstanden sind, unabhängig davon, ob sich diese Fehler oder Auslassungen aus einer Nachlässigkeit, einem Versehen oder aus anderen Gründen ergeben haben. Chauvet behält sich das Recht vor, den Inhalt dieses Dokuments zu ändern, ohne Verpflichtung, andere Personen oder Unternehmen von dieser Überarbeitung in Kenntnis zu setzen, Chauvet ist jedoch nicht verpflichtet, solche Überarbeitungen vorzunehmen und verpflichtet sich auch nicht, dies zu tun. Laden Sie die jeweils aktuelle Version unter www.chauvetdj.com herunter.

FCC-Konformität

Dieses Gerät erfüllt Teil 15, Teil B, der FCC-Bestimmungen. Der Betrieb ist an folgende zwei Bedingungen geknüpft:

1. Dieses Gerät darf keine schädlichen Interferenzen verursachen, und
2. Dieses Gerät muss empfangende Interferenzen aufnehmen können, auch Interferenzen, die eventuell einen unerwünschten Betrieb verursachen.

Jegliche Änderungen oder Modifikationen, die nicht ausdrücklich von der Partei genehmigt wurden, die für die Compliance zuständig ist, könnten die Berechtigung des Benutzers zum Betrieb dieses Geräts aufheben.

Geistiges Eigentum

Die in diesem Handbuch enthaltenen urheberrechtlich geschützten Arbeiten, einschließlich, aber nicht beschränkt darauf, aller Zeichnungen, Texte und Bilder, sind das Eigentum von Chauvet.

© Copyright 2023 Chauvet & Sons, LLC. Alle Rechte vorbehalten.

Durch Chauvet elektronisch in den Vereinigten Staaten veröffentlicht.

CHAUVET, das Chauvet Firmenlogo und der GigBAR MOVE + ILS sind eingetragene Marken oder Warenzeichen von Chauvet & Sons LLC (d/b/a Chauvet und Chauvet Lighting) in den Vereinigten Staaten und in anderen Ländern. Andere Unternehmens- und Produktnamen, auf die hier Bezug genommen wird, können Warenzeichen der jeweiligen Unternehmen sein.

Sicherheitshinweise

Diese Anleitung enthält wichtige Sicherheits- und Betriebshinweise über das Lasersystem. Alle Anweisungen vor der ersten Inbetriebnahme lesen und verstehen, um Augenverletzungen und Verstöße gegen Gesetze zu vermeiden. Die Kenntnis der Sicherheitshinweise ist wichtig, um Augenverletzungen durch Laserstrahlen und Gesetzesverstöße zu vermeiden. Bitte heben Sie diese Bedienungsanleitung zur späteren Einsicht an einem sicheren Ort auf.



STOPPE UND LESEN SIE ALLE LASERSICHERHEITSHINWEISE



- Laserstrahlen sind gefährlich und bedürfen besonderer Sicherheitsvorkehrungen. Bei falschem Gebrauch kann Blindheit und dauerhafter Augenschäden die Folge sein. Bitte beachten Sie ALLE Sicherheitshinweise und Warnungen in dieser Anleitung. Alle Anweisungen genau durchlesen, BEVOR Sie das Gerät in Betrieb nehmen.
- Schließen Sie dieses Gerät immer an die Masse an, um die Gefahr elektrischer Schläge zu reduzieren.
- Trennen Sie das Gerät von der Stromquelle, bevor Sie es reinigen.
- Bei eingeschaltetem Gerät direkten Augenkontakt mit der Lichtquelle vermeiden.
- Stellen Sie sicher, dass das Netzkabel nicht gequetscht oder beschädigt ist.
- Ziehen Sie beim Trennen des Geräts von der Stromversorgung nie am Kabel.
- Verwenden Sie für die Montage der Effektgeräte über Kopf immer ordnungsgemäße Sicherheitskabel.
- Stellen Sie sicher, dass das Gerät mit einem Sicherheitsabstand zu entzündlichen Materialien betrieben wird.
- Niemals während des Betriebs das Gehäuse berühren, da dies sehr heiß wird.



- Dieses Produkt eignet sich nicht für eine permanente Installation.
- Die Spannung der Schukosteckdose, an die Sie das Gerät anschließen, muss sich innerhalb des Spannungsbereiches befinden, der auf dem Hinweisschild oder dem rückwärtigen Bedienfeld des Geräts angegeben ist.
- Dieses Gerät darf nur im Innenbereich verwendet werden. (IP20) Um das Risiko von Bränden oder elektrischen Schlägen zu vermeiden, dürfen Sie das Gerät nicht Regen oder Feuchtigkeit aussetzen.
- Installieren Sie das Gerät immer an einem Ort mit ausreichender Belüftung und mit einem Abstand von 50 cm zu den angrenzenden Flächen.
- Stellen Sie sicher, dass die Lüftungsöffnungen am Gehäuse des Geräts nicht verschlossen sind.
- Schließen Sie dieses Gerät niemals an einen Dimmer an.
- Achten Sie beim Auswechseln der Sicherung darauf, den gleichen Typ mit den gleichen Werten zu verwenden.
- Heben Sie das Produkt zum Tragen nur am Hänge-/Befestigungsbügel an.
- Vermeiden Sie wiederholtes Ein- und Ausschalten des Geräts innerhalb eines kurzen Zeitraums. Dadurch wird die Lebensdauer der Laserdiode reduziert.
- Dieses Gerät nicht schütteln. Vermeiden Sie, bei der Montage oder dem Betrieb des Geräts übermäßige Gewalt anzuwenden.
- STETS angemessene Sicherheitskabel zum Aufhängen von Lichteffectgeräten verwenden.
- Die Betriebsumgebungstemperatur des Lasers beträgt 59 °F bis 95 °F (15 °C bis 35 °C). Dieses Produkt nicht außerhalb dieses Bereichs zu betreiben.
- Bei ernsthaften Betriebsproblemen stoppen Sie umgehend die Verwendung des Geräts.



VORSICHT! Die Ausführung von Befehlen, Einstellungen und Handlungen, die nicht in dieser Anleitung beschrieben sind, können zu gefährlichen Laserstrahlungen führen.



- Vermeiden Sie direkten Augenkontakt mit dem Laserstrahl. Niemals absichtlich Ihre Augen oder die Augen anderer Personen direktem Laserlicht aussetzen.
- Der Laserstrahl kann sofort Ihre Augen verletzen oder zu Blindheit führen, wenn er direkt ins Auge fällt.
- Es ist verboten und gefährlich, den Laserstrahl aufs Publikum zu richten, wo das Licht oder die Reflexion des Lichtstrahls Personen ins Auge treffen kann.
- Es ist gesetzeswidrig, den Laserstrahl auf Flugzeuge zu richten.
- Sie setzen sich gefährlichen Strahlungen aus, wenn Sie Einstellungen oder Arbeiten am Gerät vornehmen, die nicht ausdrücklich in dieser Anleitung erwähnt sind.
- Um unnötigen Verschleiß zu vermeiden und die Lebensdauer des Geräts zu verlängern, trennen Sie während längerer Perioden des Nichtgebrauchs das Gerät vom Stromnetz – entweder per Trennschalter oder durch Herausziehen des Steckers aus der Steckdose.
- Versuchen Sie NICHT, selbst Reparaturen durchzuführen. Bei Reparaturbedarf wenden Sie sich bitte an Ihren Fachhändler. Aus Gründen der Sicherheit sind nicht autorisierte Änderungen am Gerät unzulässig!



Bitte heben Sie diese Bedienungsanleitung zur späteren Einsicht auf. Achten Sie bei einem Eigentümerwechsel des Geräts darauf, dass dieses Dokument am Lasergerät verbleibt.

Achtung! Kein Schutz bei geöffnetem Gehäuse



- Das Gerät enthält Laser mit hohen Leistungen.
- Den Laser nicht bei geöffnetem Gehäuse betreiben, da Sie sich sonst einer gesundheitsschädlichen Laserexposition aussetzen könnten.
- Die Energie der Laserstrahlung kann bei einem Betrieb des Lasers bei geöffnetem Gehäuse zu Erblindung, Hautverbrennungen und Feuer führen.

Hinweise zur Lasersicherheit



STOPPE UND LESEN SIE ALLE LASERSICHERHEITSHINWEISE UNTEN



Laserlicht hat nichts mit anderen Lichtquellen, die sie vielleicht kennen, zu tun. Das Licht dieses Produktes kann Augenverletzungen verursachen, wenn es nicht richtig installiert und bedient wird. Laserlicht ist mehrere tausend Male konzentrierter als jede andere Lichtquelle. Diese hohe Konzentration kann zu sofortigen Augenverletzungen führen, insbesondere zur Verbrennung der Netzhaut. Selbst wenn Sie keine Hitze vom Laserstrahl spüren, kann er trotzdem Blindheit verursachen. Sogar ganz geringe Mengen von Laserstrahlen auf lange Entfernungen sind gefährlich. Es ist **FALSCH** zu denken, dass der einzelne Strahl fürs Auge ungefährlich ist, weil diese Produkte der Unterhaltungselektronik den Strahl in hunderte von Strahlen teilen oder bei hoher Geschwindigkeit durch den Raum schießen. Dieses Laserprodukt verwendet Dutzende von Milliwatt Laserleistung (Klasse 3B Laser). Viele der einzelnen Strahlen stellen eine potenzielle Gefahr dar.

Es ist ebenfalls **FALSCH** zu glauben, dass der Laserstrahl harmlos ist, weil er sich bewegt. Das ist nicht wahr und außerdem bewegt er sich auch nicht ständig. Da Augenverletzungen sofort auftreten, ist es lebenswichtig, die Möglichkeit von eventuellem, direktem Augenkontakt völlig auszuschließen. In den Sicherheitsbestimmungen für Laser ist es illegal, einen Laser der Klasse 3B auf Bereiche zu richten, wo sich Personen befinden können. Dies gilt auch, wenn der Strahl unterhalb von den Augen der Menschen, z. B. auf den Tanzboden gerichtet ist.



- Betreiben Sie den Laser nicht, ohne zunächst die in dieser Bedienungsanleitung aufgeführten Sicherheits- und technischen Daten gelesen und verstanden zu haben.
- Installieren Sie die Lasereffekte **IMMER** so, dass alle Laserstrahlen mindestens 3 Meter (9,8 Fuß) über dem Boden verlaufen, auf dem Personen stehen können. Siehe den Abschnitt [Bestimmungsgemäße Verwendung](#) in dieser Anleitung.
- Nach der Montage und vor der Inbetriebnahme in der Öffentlichkeit, testen Sie, ob das Gerät einwandfrei funktioniert. Falls ein Defekt auftritt, darf das Gerät nicht benutzt werden.
- Verwenden Sie das Lasergerät auch dann **NICHT**, wenn es nur einen oder zwei Laserstrahlen statt Dutzende/Hunderte ausstrahlt, da dies auf eine Beschädigung der Beugungsgitteroptik hinweisen kann und eine Laserstrahlung erzeugen könnte, die über die der Klasse 2M liegt.
- Den Laserstrahl **NIEMALS** auf Menschen oder Tiere richten.
- **NIEMALS** in die Laseraustrittsöffnung oder einen Laserstrahl blicken.
- Den Laserstrahl **NICHT** auf Bereiche richten, wo Menschen möglicherweise dem Strahl ausgesetzt werden können.
- Den Laser **NIEMALS** auf stark reflektierende Oberflächen richten, wie Fenster, Spiegel und glänzendes Metall. Sogar reflektierte Laserstrahlen können gefährlich sein.
- Den Laser niemals auf Flugzeuge richten; prüfen Sie vor Gebrauch dieses Lasergeräts Ihre lokal geltenden Gesetze.
- Niemals unbegrenzte Laserstrahlen in den Himmel richten.
- Niemals die Austrittsoptik aggressiven chemischen Reinigungsmitteln aussetzen.
- Niemals den Laser verwenden, wenn das Gehäuse beschädigt oder geöffnet ist oder die Optik auf irgendeiner Art beschädigt zu sein scheint.
- Niemals das Gehäuse des Lasers öffnen. Die hohe Laserleistung im Innern des Gehäuses kann Feuer, Hautverbrennungen und Augenverletzungen verursachen.
- Das Gerät niemals ohne Aufsicht laufen lassen.
- Die gesetzlichen Vorschriften zum Gebrauch von Laserprodukten für die Unterhaltungsindustrie sind länderspezifisch. Der Nutzer des Geräts ist für die Einhaltung der gesetzlichen Vorschriften am Standort / im Land der Verwendung verantwortlich.



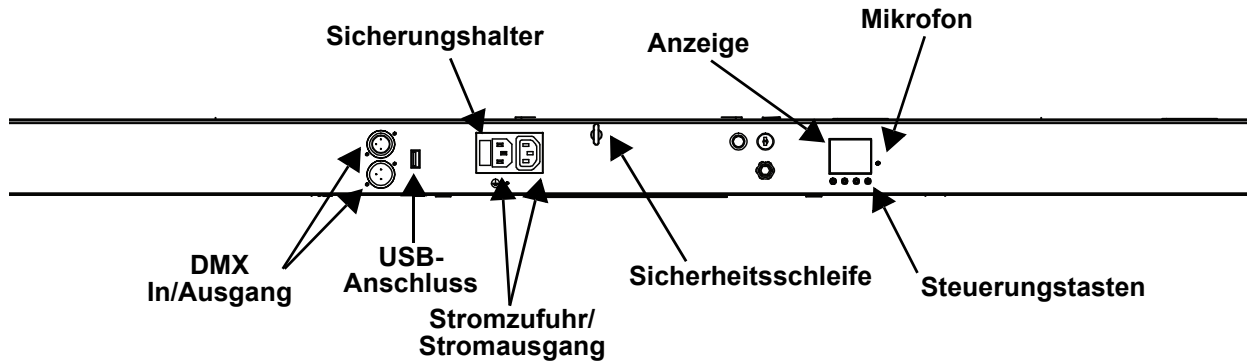
VORSICHT! Dieses Gerät darf nicht auf eine andere Art betrieben werden, als in dieser Bedienungsanleitung beschrieben. Bei einer Nichtbeachtung kann das Produkt beschädigt werden oder es kann zu Verletzungen beim Benutzer oder Publikum kommen und jeglicher Garantieanspruch verfällt.

VORSICHT! Dieses Produkt darf nicht im Hausmüll entsorgt werden. Weitere Informationen zu den Vorschriften in Ihrem Gebiet erhalten Sie bei den zuständigen Abfallbehörden.

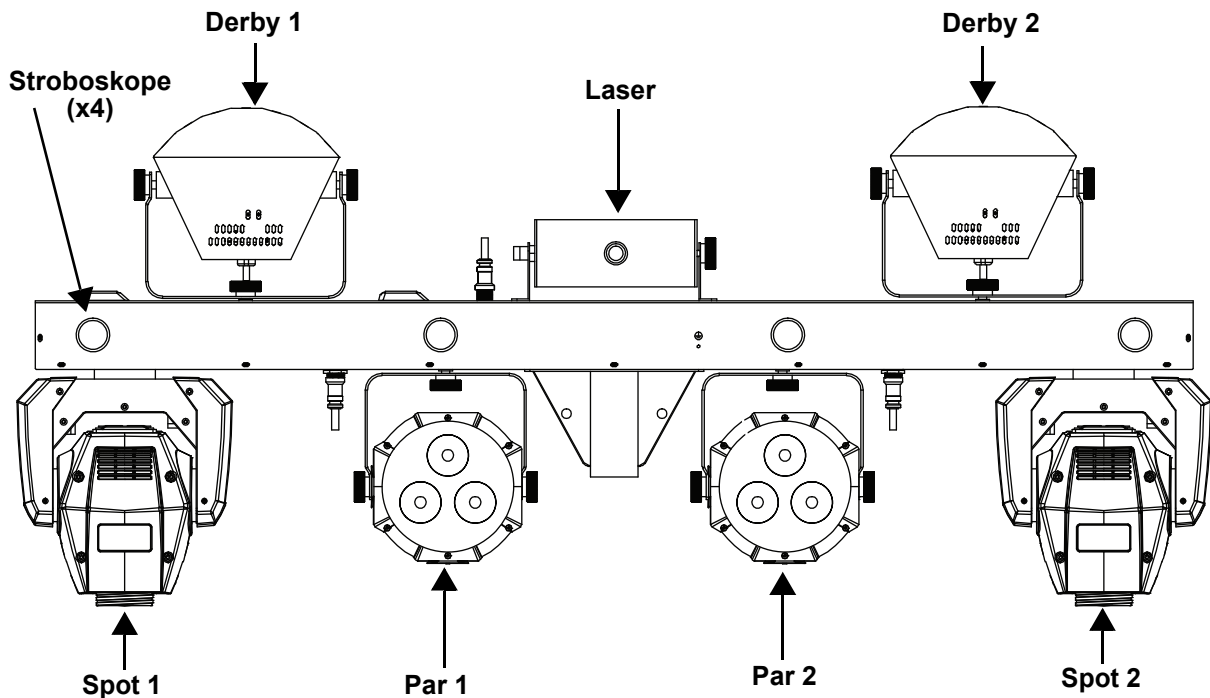
2. Einleitung

Produktüberblick

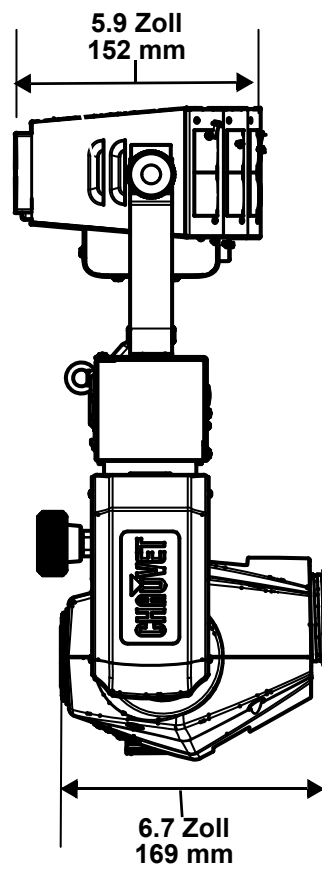
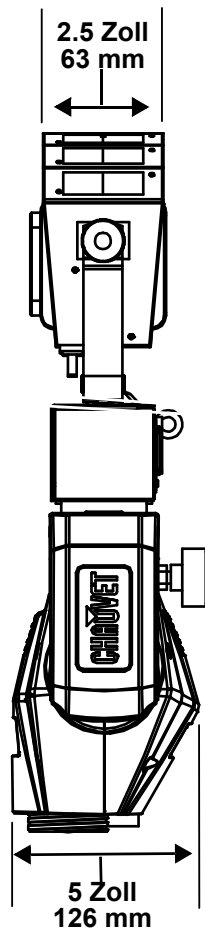
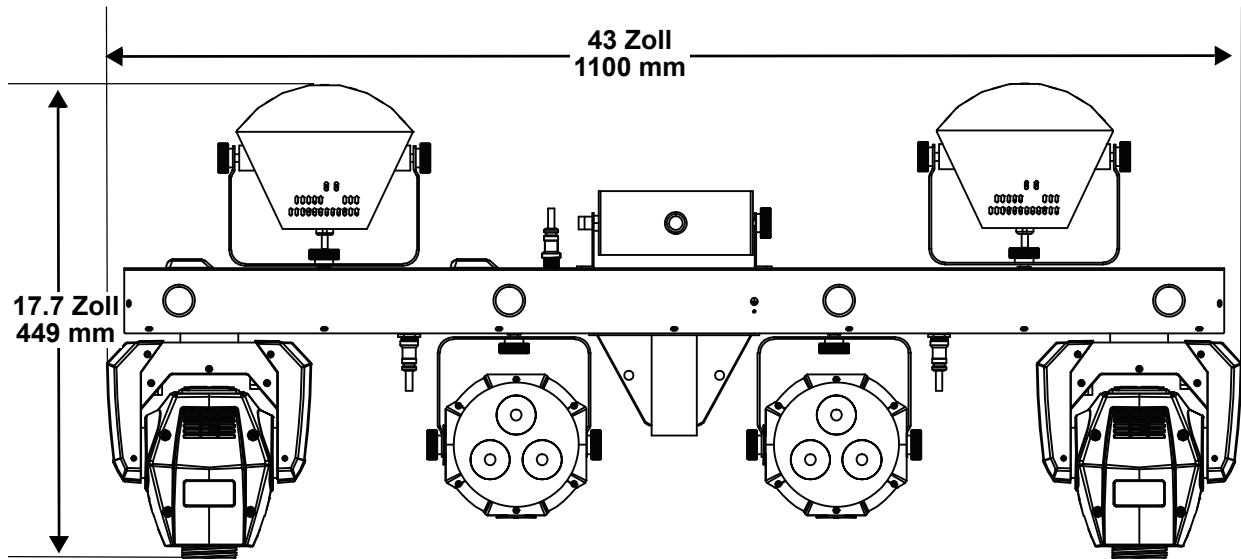
Ansicht der Rückseite



Frontplattenansicht



Produktabmessungen



3. Einrichten des Geräts

Wechselstrom

Der GigBAR MOVE + ILS verfügt über ein Vorschaltgerät, das automatisch die anliegende Spannung erkennt, sobald der Netzstecker in die Schukosteckdose gesteckt wird, und kann mit einer Eingangsspannung von 100~240 V AC, 50/60 Hz arbeiten. Um die erforderlichen Kennzahlen des Netzanschlusses (Leistungsschalter, Wandsteckdose und Netzkabel) zu ermitteln, verwenden Sie den aktuellen Wert, der sich auf dem Hinweisschild auf der Rückseite des Geräts befindet, oder lesen Sie dazu den Abschnitt [Technische Daten](#) in dieser Anleitung. Die aktuell aufgeführten Werte entsprechen dem durchschnittlichen Stromverbrauch des Geräts unter normalen Bedingungen.



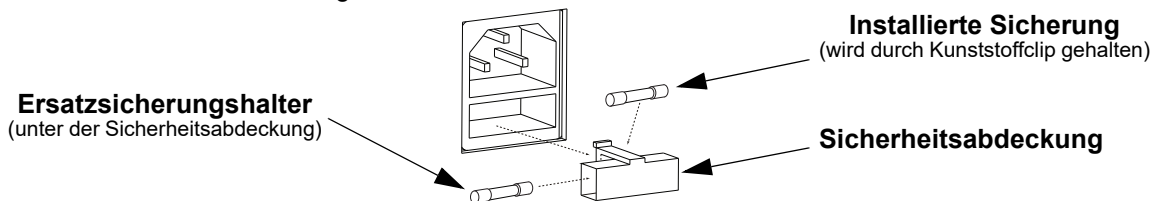
- **Schließen Sie dieses Gerät nur an einen abgesicherten Stromkreislauf (Leistungsschalter oder Sicherung) an. Stellen Sie sicher, dass das Gerät entsprechend an die Masse angeschlossen ist, um die Gefahr elektrischer Schläge oder eines Brands zu vermeiden.**
- **Um unnötigen Verschleiß zu vermeiden und die Lebensdauer des Geräts zu verlängern, trennen Sie während längerer Perioden des Nichtgebrauchs das Gerät vom Stromnetz – entweder per Trennschalter oder durch Herausziehen des Steckers aus der Steckdose.**



Schließen Sie dieses Gerät niemals an einen Regelwiderstand oder Dimmer an, auch nicht, wenn der Regelwiderstand oder Dimmer nur als 0 bis 100% Schalter dient.

Auswechseln der Sicherung

1. Klemmen Sie die Spitze eines Flachkopfschraubendrehers in den Schlitz des Sicherungshalters.
2. Hebeln Sie den Sicherungshalter vom Gehäuse weg ab.
3. Entfernen Sie die durchgebrannte Sicherung aus der Halterung.
4. Die Sicherung darf nur durch eine vollkommen gleichwertige ersetzt werden.
5. Setzen Sie die Sicherung wieder ein, und schließen Sie das Gerät an das Stromnetz an.



Trennen Sie das Gerät von der Stromquelle, bevor Sie die Sicherung auswechseln.

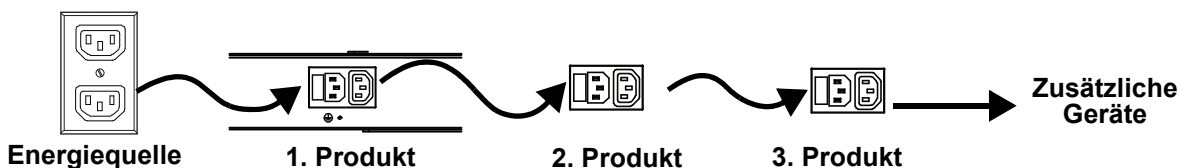


Die Sicherung darf nur durch eine vollkommen gleichwertige ersetzt werden.

Reihenschaltung der Geräte

Das Produkt bietet Reihenschaltungen durch die Edison-Steckdose auf der Rückseite des Produkt. Weitere Erläuterungen entnehmen Sie bitte dem nachfolgenden Abbildung.

Abbildung für Serienschaltung



Bis zu 2 GigBAR MOVE + ILS-Geräte lassen sich bei 120 V, und bis zu 4 GigBAR MOVE + ILS -Geräte lassen sich bei 230 V zusammenschließen.

ILS-Anschluss

ILS (Integrated Lighting System) bietet 4 Modi, die mit dem GigBAR MOVE + ILS synchronisiert werden: Modi 1 und 3 synchronisieren mit Seite 1 des GigBAR MOVE + ILS, wohingegen Modi 2 und 4 mit Seite 2 des GigBAR MOVE + ILS synchronisiert werden. Bei einer Verknüpfung werden die Effekte mit dem ähnlichsten Effekt an der ausgewählten Seite des GigBAR MOVE+ILS synchronisiert: Kinta-Effekte werden mit einem der Kinta-Geräten synchronisiert, Moving Heads mit einem der Moving Heads und Wash-Effekte mit einer der PAR-Kannen. Laser-Effekte werden mit dem Laser synchronisiert und Stroboskopeffekte mit den Stroboskopeffekten, unabhängig vom ILS-Modus.

Montage

Lesen Sie vor der Montage des Geräts die in den [Sicherheitshinweise](#) enthaltenen.

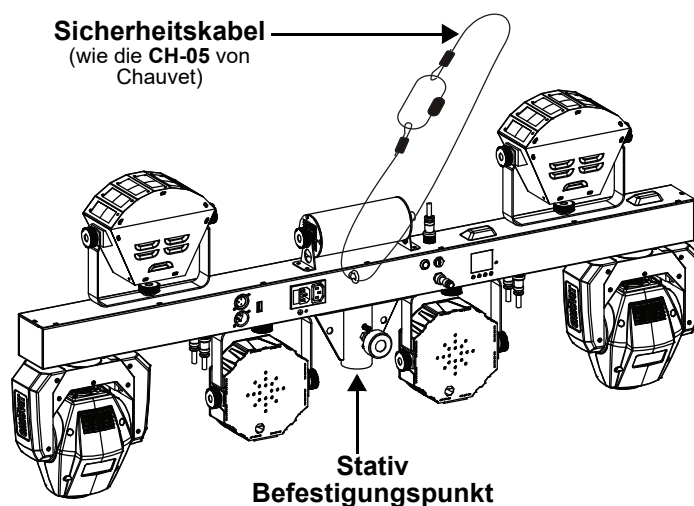
Montagerichtung

Der GigBAR MOVE + ILS muss in einer Position befestigt werden, die einen sicheren Betrieb des Lasers erlaubt. Stellen Sie außerdem sorgen Sie zudem dafür, dass das Gerät ausreichend belüftet ist.

Hängende Montage

- Bevor Sie sich für eine Montagestelle entscheiden, müssen Sie bedenken, dass das Gerät zur Wartung und Programmierung immer leicht zugänglich ist.
- Stellen Sie sicher, dass die Struktur oder Oberfläche, an oder auf die Sie das Gerät montieren, dessen Gewicht tragen kann (siehe [Technische Daten](#)).
- Verwenden Sie für die Montage des Geräts über Kopf immer ordnungsgemäße Sicherheitskabel. Befestigen Sie das Gerät sicher an einem Aufhängepunkt, was etwa ein erhöhtes Podest oder ein Gerüstelement sein kann.
- Verwenden Sie bei der Befestigung an ein Gerüstelement eine Befestigungsschelle mit der erforderlichen Tragfähigkeit. Der Bügel verfügt dazu über mehrere 13 mm große Löcher.
- Mit den Bügeleinstellknöpfen lässt sich die winklige Ausrichtung des Geräts justieren. Die Bügeleinstellknöpfe nur manuell lösen und festschrauben. Bei der Verwendung von Hebelwerkzeugen können die Bügeleinstellknöpfe beschädigt werden.

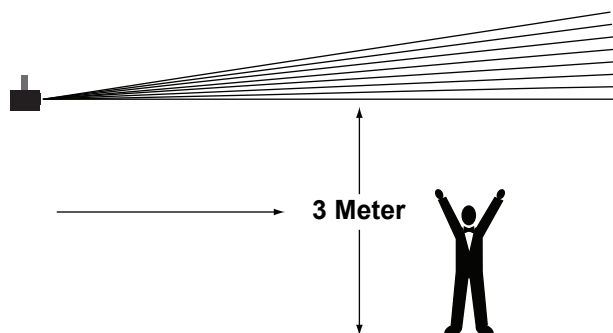
Montageansicht



Bestimmungsgemäße Verwendung

Das Gerät muss aufgehängt werden. Aus Sicherheitsgründen ist es empfehlenswert, den Lichteffekt auf festen, erhöhten Plattformen oder an festen Befestigungsstützen mit geeigneten Befestigungsschellen zu befestigen. Verwenden Sie immer Sicherheitskabel. Geeignetes Material erhalten Sie bei Ihrem Fachhändler für Lichteffektgeräte.

Internationale Laser-Sicherheitsbestimmungen verlangen, dass Laser wie unten abgebildet eingesetzt werden, in einer Mindesthöhe von 3 m über dem Boden. Hinzu kommt ein horizontaler Abstand von 3 m zwischen Laser und Publikum.



VORSICHT! Die Ausführung von Befehlen, Einstellungen und Handlungen, die nicht in dieser Anleitung beschrieben sind, können zu gefährlichen Laserstrahlungen führen.

4. Betrieb

Dieses Produkt eignet sich nicht für den Dauereinsatz geeignet. Regelmäßige Betriebspausen sind wichtig, um die Lebensdauer dieses Geräts zu erhöhen. Immer den Netzstecker abziehen, wenn der GigBAR MOVE + ILS längere Zeit nicht benutzt wird.

Betrieb des Bedienfeldes

Zum Zugreifen auf das Bedienfeld verwenden Sie die vier Tasten unter der Anzeige. Im Abschnitt [Produktüberblick](#) finden Sie eine Übersicht über die Anordnung dieser Tasten.

Taste	Funktion
<MENU>	Um einen Betriebsmodus zu suchen oder zum Hauptmenü zurückzukehren, betätigen Sie diese Taste
<UP>	Damit navigieren Sie durch die Menüpunkte nach oben und erhöhen den numerischen Wert der entsprechenden Funktionen
<DOWN>	Damit navigieren Sie durch die Menüpunkte nach unten und verringern den numerischen Wert der entsprechenden Funktionen
<ENTER>	Mit dieser Taste wählen und bestätigen Sie eine Funktion im System-Menü oder einen ausgewählten Wert

Menüstruktur

Die neueste Menükarte finden Sie auf der GigBAR MOVE + ILS-produktseite unter www.chauvetdj.com

Modus	Programmiererebenen		Beschreibung	
AUTO	Program	Mix	1–4	Wählt die Show mit automatischem Mischeffekt aus
		Spots	1	Wählt die automatische Bewegliches joch-Show aus
		Strobe	1	Wählt die automatische Stroboskop-Show aus
		Laser	1	Wählt die automatische Lasershow aus
		Derby	1	Wählt die automatische Derby-Show aus
		Par	1	Wählt die automatische PAR-Kannen-Show aus
		S+SP	1	Wählt die automatische Stroboskop- und Spot-Show aus
		L+SP	1	Wählt die automatische Laser- und Spot-Show aus
		LS	1	Wählt die automatische Laser- und Stroboskop-Show aus
		D+SP	1	Wählt die automatische Derby- und Spot-Show aus
		DS	1	Wählt die automatische Show für Derby- und Stroboskopeffekt aus
		DL	1	Wählt die automatische Show für Derby und Laser aus
		P+SP	1	Wählt die automatische PAR-Kannen- und Spot-Show aus
		PS	1	Wählt die automatische PAR-Kannen- und Stroboskop-Show aus
		PL	1	Wählt die automatische PAR-Kannen- und Lasershow aus
		PD	1	Wählt die automatische PAR-Kannen- und Derby-Show aus
		PS+SP	1	Wählt die Show für PAR-Kanne + Stroboskop + Spot aus
		PL+SP	1	Wählt die Show für PAR-Kanne + Laser + Spot aus
PLS	1	Wählt die Show für PAR-Kanne + Laser + Stroboskop aus		
PD+SP	1	Wählt die Show für PAR-Kanne + Derby + Spot aus		
PDS	1	Wählt die Show für PAR-Kanne + Derby + Stroboskop aus		
PDL	1	Wählt die Show für PAR-Kanne + Derby + Laser aus		
DLS+SP	1	Wählt die Show für Derby + PAR-Kanne + Stroboskop + Spot aus		
PLS+SP	1	Wählt die Show für PAR-Kanne + Laser + Stroboskop + Spot aus		

Modus	Programmirebenen		Beschreibung	
AUTO (Fortsetzung)	Program (Fortsetzung)	PDS+SP	1	Wählt die Show für PAR-Kanne + Derby + Stroboskop + Spot aus
		PDL+SP	1	Wählt die Show für PAR-Kanne + Derby + Laser + Spot aus
		PDLS	1	Wählt die Show für PAR-Kanne + Derby + Laser + Stroboskop aus
	Mode	Snap/Fade		Wählt den Übergang zwischen Automatikprogrammen
	Speed	0–99		Stellt die automatische Programmgeschwindigkeit ein
	Spots XY Speed	0–99		Einstellen der Schwenk- und Neige-geschwindigkeit der Spots
	Dimmer	0–255		Einstellen des Dimmers
	Strobe	0–20		Wählt das Stroboskop aus
	Program Time	1–255 (seconds)		Einstellen der Programmzeit
	Pars Color	Tri		Das automatische Programm verwendet nur die Farben Rot, Grün und Blau
Quad		Das automatische Programm verwendet nur die Farben Rot, Grün, Blau und Bernstein-gelb		
Hex		Das automatische Programm verwendet alle Farben		
SOUND	Program	Mix	1–4	Wählt die Show mit musikgesteuertem Mischeffekt aus
		Spots	1	Stellt die Bewegliches joch auf Musiksteuerungs-Modus ein
		Strobe	1	Stellt die Stroboskopeffekt auf Musiksteuerungs-Modus ein
		Laser	1	Stellt die Laser auf Musiksteuerungs-Modus ein
		Derby	1	Stellt die Derby beleuchtung auf Musiksteuerungs-Modus ein
		Par	1	Stellt die PAR-Kannen auf Musiksteuerungs-Modus ein
		S+SP	1	Stellt Stroboskopeffekt beleuchtung und Spot auf Musiksteuerungs-Modus ein
		L+SP	1	Stellt Laser und Bewegliches joch auf Musiksteuerungs-Modus ein
		LS	1	Stellt Laser und Stroboskopeffekte auf Musiksteuerungs-Modus ein
		D+SP	1	Stellt Derby beleuchtung und Spot auf Musiksteuerungs-Modus ein
		DS	1	Stellt Derby beleuchtung und Stroboskopeffekte auf Musiksteuerungs-Modus ein
		DL	1	Stellt Derby beleuchtung und Laser auf Musiksteuerungs-Modus ein
		P+SP	1	Stellt PAR-Kannen und Spot auf Musiksteuerungs-Modus ein
		PS	1	Stellt PAR-Kannen und Stroboskopeffekte auf Musiksteuerungs-Modus ein
		PL	1	Stellt PAR-Kannen und Laser auf Musiksteuerungs-Modus ein
		PD	1	Stellt PAR-Kannen und Derby beleuchtung auf Musiksteuerungs-Modus ein
		PS+SP	1	Stellt PAR-Kannen, Stroboskopeffekte und Spot auf Musiksteuerungs-Modus ein
		PL+SP	1	Stellt PAR-Kannen, Laser und Spot auf Musiksteuerungs-Modus ein
		PLS	1	Stellt PAR-Kannen, Laser und Stroboskopeffekte auf Musiksteuerungs-Modus ein
PD+SP	1	Stellt PAR-Kannen, Derby beleuchtung und Spot auf Musiksteuerungs-Modus ein		

Modus	Programmirebenen		Beschreibung	
SOUND (Fortsetzung)	Program (Fortsetzung)	PDS	1	Stellt PAR-Kannen, Laser und Stroboskopeffekte auf Musiksteuerungs-Modus ein
		PDL	1	Stellt PAR-Kannen, Derby beleuchtung und Laser auf Musiksteuerungs-Modus ein
		DLS+SP	1	Stellt Derby beleuchtung, Laser, Stroboskopeffekte und Spot auf Musiksteuerungs-Modus ein
		PLS+SP	1	Stellt PAR-Kannen, Laser, Stroboskopeffekte und Spot auf Musiksteuerungs-Modus ein
		PDS+SP	1	Stellt PAR-Kannen, Derby beleuchtung, Stroboskopeffekte und Spot auf Musiksteuerungs-Modus ein
		PDL+SP	1	Stellt PAR-Kannen, Derby beleuchtung, Laser und Spot auf Musiksteuerungs-Modus ein
		PDLS	1	Stellt PAR-Kannen, Derby beleuchtung, Laser und Stroboskopeffekte auf Musiksteuerungs-Modus ein
	Sensitivity	0–99		Stellt die Musikempfindlichkeit des Musiksteuerungs-Modus ein
	Spot Speed	0		Aktiviert klangaktive bewegliche Köpfe
		1–99		Manuelle Einstellung der Geschwindigkeit, langsam bis schnell
	Dimmer	0–255		Einstellen des Dimmers
	Strobe	0–20		Wählt das Stroboskop aus
	Program Time	1–255 (seconds)		Einstellen der Programmzeit
	Sound Lost	Slow		Par, Derby, Laser und Strobe stoppen auf der letzten Einstellung. Farb- und Gobo-Moving Heads stoppen auf der letzten Einstellung, die Bewegung läuft langsam ab.
		Freeze		Die gesamte Bar verharrt auf der letzten Einstellung.
		Blackout		Die gesamte Bar verdunkelt sich.
	Pars Color	Tri		Das automatische Programm verwendet nur die Farben Rot, Grün und Blau
Quad		Das automatische Programm verwendet nur die Farben Rot, Grün, Blau und Bernstein gelb		
Hex		Das automatische Programm verwendet alle Farben		
Manual Mode	Par Red Par Green Par Blue Par Amber Par White Par UV	0–255	Wählt die Par-Farbe aus	
	Derby Red Derby Green Derby Blue Derby White		Wählt die Derby-Farbe aus	
	Derby Motor		Rotiert die LED im oder entgegen dem Uhrzeigersinn	
	Laser		Schaltet den Laser manuell ein und aus	
	Flash Dimmer		Einstellen des Dimmers für die weiße LED	
	Pan		Stellt den Schwenkwinkel ein	
	Tilt		Einstellen des Neigungswinkels	
	Color		Wählt die Farbe manuell aus	
	Gobo		Wählt das Gobo manuell aus	
	Dimmer		Einstellen des Dimmers	
	Shutter		Einstellen des Shutters	

Modus	Programmiererebenen		Beschreibung
DMX	DMX	3CH	Wählen Sie den DMX-Kanal
		30CH	
		52CH	
	Address	001–510	Wählt die DMX-Startadresse aus
Slave		Slave-Modus	
Setup	RF	COMMON	Ermöglicht die Steuerung des Geräts mit einer Fernbedienung
		BIND	Ermöglicht die Steuerung des GigBAR MOVE + ILS nur mit einer Fernbedienung, die mit dem Gerät gepairt ist
		OFF	Schaltet Infrarot aus
	RF Binding		Paart eine Fernbedienung mit einem bestimmten GigBAR MOVE + ILS Gerät (Die Taste "Blackout" an der Fernbedienung drücken und gedrückt halten)
	FOOT	COMMON	Ermöglicht die Steuerung des Geräts mit jedem Fußschalter
		BIND	Ermöglicht die Steuerung des GigBAR MOVE + ILS nur mit einem Fußschalter, der mit dem Gerät gepairt ist
		OFF	Schaltet Fußschalter-Steuerung aus
	FOOT Binding		Paart einen Fußschalter mit einem bestimmten GigBAR MOVE + ILS Gerät (Das Pedal "Blackout" am Fußschalter drücken und gedrückt halten)
	DFI	OFF	Deaktiviert DFI
		RX	Aktiviert/deaktiviert den Empfang des DFI-Signals
		TX	Aktiviert/deaktiviert die Übertragung des DFI-Signals
	DFI CH	1–16	Wählt den DFI-Kanal
	Pan1 Reverse	ON	Aktiviert/deaktiviert Spot 1 Pan Reverse
		OFF	
	Tilt1 Reverse	ON	Aktiviert/deaktiviert Spot 1 Tilt Reverse
OFF			
Pan2 Reverse	ON	Aktiviert/deaktiviert Spot 2 Pan Reverse	
	OFF		
Tilt2 Reverse	ON	Aktiviert/deaktiviert Spot 1 Tilt Reverse	
	OFF		
RESET	NO	Zurücksetzen auf Werkseinstellungen	
	YES		



- Der DMX-Wert wird weiß angezeigt, wenn kein DMX-Signal empfangen wird, und gelb, wenn ein DMX-Signal empfangen wird.
- Die Menüanzeige schaltet sich aus, wenn innerhalb von 60 Sekunden keine Bedienung erfolgt.
- Im DMX-Modus speichert das Gerät die letzten Einstellungen, wenn das DMX-Signal unterbrochen wurde. Im Master/Slave-Modus fällt das Gerät aus, wenn das DMX-Signal verloren geht.

Konfiguration (Einzelplatzmodus)

Zur Steuerung ohne einen DMX-Controller versetzen Sie das Gerät in einen der Einzelplatzmodi.



Schließen Sie ein Gerät, das sich im Einzelplatzmodus befindet, an eine mit einem DMX-Controller verbundenen DMX-Leitung an. Geräte im Einzelplatzmodus können DMX-Signale aussenden, die mit den DMX-Signalen des DMX-Controllers interferieren können.

Automatische-Modus

Zum Betrieb des GigBAR MOVE + ILS im Automatische-Modus befolgen Sie die Anweisungen unten:

1. Drücken Sie **<MENU>**, um das Hauptmenü auf dem Display anzuzeigen.
2. Verwenden Sie **<UP>** oder **<DOWN>**, bis **AUTO** markiert ist.
3. Betätigen Sie **<ENTER>**.
4. Verwenden Sie **<UP>** oder **<DOWN>**, um **Program** auszuwählen.
5. Betätigen Sie **<ENTER>**.
6. Verwenden Sie **<UP>** oder **<DOWN>**, um aus den Optionen für das automatische Programm auszuwählen: **Mix, Spots, Strobe, Laser, Derby, Par, S+SP, L+SP, LS, D+SP, DS, DL, P+SP, PS, PL, PD, PS+SP, PL+SP, PLS, PD+SP, PDS, PDL, DLS+SP, PLS+SP, PDS+SP, PDL+SP**, oder **PDLS**.
7. Betätigen Sie **<ENTER>**.
8. Verwenden Sie **<UP>** oder **<DOWN>**, um **Mode** auszuwählen.
9. Betätigen Sie **<ENTER>**.
10. Verwenden Sie **<UP>** oder **<DOWN>**, um zwischen **Snap** (schnappender Übergang zwischen Programmen) und **Fade** (überblendender Übergang zwischen Programmen) zu wählen.
11. Verwenden Sie **<UP>** oder **<DOWN>**, um **Speed** auszuwählen.
12. Betätigen Sie **<ENTER>**.
13. Verwenden Sie **<UP>** oder **<DOWN>**, um die automatische Programmgeschwindigkeit von **0** bis **99** einzustellen.
14. Betätigen Sie **<ENTER>**.

Musiksteuerungs-Modus

Zum Betrieb des GigBAR MOVE + ILS im Musiksteuerungs-Modus gehen Sie wie folgt vor:

1. Drücken Sie **<MENU>**, um das Hauptmenü auf dem Display anzuzeigen.
2. Verwenden Sie **<UP>** oder **<DOWN>**, bis **SOUND** markiert ist.
3. Betätigen Sie **<ENTER>**.
4. Verwenden Sie **<UP>** oder **<DOWN>**, um **Program** auszuwählen.
5. Betätigen Sie **<ENTER>**.
6. Verwenden Sie **<UP>** oder **<DOWN>**, um aus den Optionen für das automatische Programm auszuwählen: **Mix, Spots, Strobe, Laser, Derby, Par, S+SP, L+SP, LS, D+SP, DS, DL, P+SP, PS, PL, PD, PS+SP, PL+SP, PLS, PD+SP, PDS, PDL, DLS+SP, PLS+SP, PDS+SP, PDL+SP**, oder **PDLS**.
7. Betätigen Sie **<ENTER>**.
8. Verwenden Sie **<UP>** oder **<DOWN>**, um **Sensitivity** auszuwählen.
9. Betätigen Sie **<ENTER>**.
10. Verwenden Sie **<UP>** oder **<DOWN>**, um die automatische Programmgeschwindigkeit von **0** bis **99** einzustellen.
11. Betätigen Sie **<ENTER>**.

Klangempfindlichkeit

Um die Klangempfindlichkeit der GigBAR MOVE + ILS, einzustellen, folgen Sie den nachstehenden Anweisungen:

1. Drücken Sie **<MENU>**, um das Hauptmenü auf dem Display anzuzeigen.
2. Verwenden Sie **<UP>** oder **<DOWN>**, bis **SOUND** markiert ist.
3. Betätigen Sie **<ENTER>**.
4. Verwenden Sie **<UP>** oder **<DOWN>**, um **Sensitivity** auszuwählen.
5. Betätigen Sie **<ENTER>**.
6. Verwenden Sie **<UP>** oder **<DOWN>**, um die automatische Programmgeschwindigkeit von **0** bis **99** einzustellen.
7. Betätigen Sie **<ENTER>**.



- **Das Gerät reagiert nur auf niedrige Musikfrequenzen (Bass oder Trommeln).**
- **Der Laser wird nach 3 Sekunden abgedunkelt, wenn im Musiksteuerungs-Modus kein Geräusch vorhanden ist oder das Geräusch unter der eingestellten Empfindlichkeit liegt.**

Dimmer

Um den Dimmer an der GigBAR MOVE + ILS einzustellen, gehen Sie wie folgt vor:

1. Drücken Sie **<MENU>**, um das Hauptmenü auf dem Display anzuzeigen.
2. Verwenden Sie **<UP>** oder **<DOWN>**, bis **AUTO** oder **SOUND** markiert ist.
3. Betätigen Sie **<ENTER>**.
4. Verwenden Sie **<UP>** oder **<DOWN>**, um **Dimmer** auszuwählen.
5. Betätigen Sie **<ENTER>**.
6. Verwenden Sie **<UP>** oder **<DOWN>**, um den Dimmer von **0–255** einzustellen.
7. Betätigen Sie **<ENTER>**.

Stroboskop

Um das Stroboskop auf der GigBAR MOVE + ILS einzustellen, folgen Sie den nachstehenden Anweisungen:

1. Drücken Sie **<MENU>**, um das Hauptmenü auf dem Display anzuzeigen.
2. Verwenden Sie **<UP>** oder **<DOWN>**, bis **AUTO** oder **SOUND** markiert ist.
3. Betätigen Sie **<ENTER>**.
4. Verwenden Sie **<UP>** oder **<DOWN>**, um **Strobe** auszuwählen.
5. Betätigen Sie **<ENTER>**.
6. Verwenden Sie **<UP>** oder **<DOWN>**, um das Stroboskop von **0–20** einzustellen.
7. Betätigen Sie **<ENTER>**.

Programmzeit

Gehen Sie wie folgt vor, um die Programmzeit an der GigBAR MOVE + ILS einzustellen:

1. Drücken Sie **<MENU>**, um das Hauptmenü auf dem Display anzuzeigen.
2. Verwenden Sie **<UP>** oder **<DOWN>**, bis **AUTO** oder **SOUND** markiert ist.
3. Betätigen Sie **<ENTER>**.
4. Verwenden Sie **<UP>** oder **<DOWN>**, um **Program Time** auszuwählen.
5. Betätigen Sie **<ENTER>**.
6. Verwenden Sie **<UP>** oder **<DOWN>**, um den Timer von **0–255** (Sekunden) einzustellen.
7. Betätigen Sie **<ENTER>**.

Pars-Farben

Einstellung der Farben, die das Pars nach dem Aufrufen des Auto-Programms anzeigt, folgen Sie den nachstehenden Anweisungen:

1. Drücken Sie **<MENU>**, um das Hauptmenü auf dem Display anzuzeigen.
2. Verwenden Sie **<UP>** oder **<DOWN>**, bis **AUTO** oder **SOUND** markiert ist.
3. Betätigen Sie **<ENTER>**.
4. Verwenden Sie **<UP>** oder **<DOWN>**, um **Pars Color** auszuwählen.
5. Betätigen Sie **<ENTER>**.
6. Verwenden Sie **<UP>** oder **<DOWN>** um zwischen **Tri** (RGB verwenden), **Quad** (RGGB verwenden) oder **Hex** (alle Farben verwenden) zu wählen.
7. Betätigen Sie **<ENTER>**.

Spot-Geschwindigkeit

Manuelle Steuerung der Geschwindigkeit des beweglichen Kopfs im Sound-Active-Modus, gehen Sie wie folgt vor:

1. Drücken Sie **<MENU>**, um das Hauptmenü auf dem Display anzuzeigen.
2. Verwenden Sie **<UP>** oder **<DOWN>**, bis **SOUND** markiert ist.
3. Betätigen Sie **<ENTER>**.
4. Verwenden Sie **<UP>** oder **<DOWN>**, um **Spot Speed** auszuwählen.
5. Betätigen Sie **<ENTER>**.
6. Verwenden Sie **<UP>** oder **<DOWN>** um die Geschwindigkeit von **0** (Sound-Active) oder **1–99** (manuelle Einstellung der Geschwindigkeit, langsam bis schnell).
7. Betätigen Sie **<ENTER>**.

Tonausfall

Einstellung der Aktion der gesamten Leiste, wenn der Ton ausgefallen ist, folgen Sie den nachstehenden Anweisungen:

1. Drücken Sie **<MENU>**, um das Hauptmenü auf dem Display anzuzeigen.
2. Verwenden Sie **<UP>** oder **<DOWN>**, bis **SOUND** markiert ist.
3. Betätigen Sie **<ENTER>**.
4. Verwenden Sie **<UP>** oder **<DOWN>**, um **Sound Lost** auszuwählen.
5. Betätigen Sie **<ENTER>**.
6. Verwenden Sie **<UP>** oder **<DOWN>** um zwischen **Slow** (Par, Derby, Laser und Strobe stoppen auf der letzten Einstellung. Farb- und Gobo-Moving Heads stoppen auf der letzten Einstellung, die Bewegung läuft langsam ab), **Freeze** (Die gesamte Bar verharrt auf der letzten Einstellung) oder **Blackout** (Die gesamte Bar verdunkelt sich) zu wählen.
7. Betätigen Sie **<ENTER>**.

Schwenken umgekehrt

Manuelle Einstellung der Ausrichtung des Schwenkvorgangs beim GigBAR MOVE + ILS, gehen Sie wie folgt vor:

1. Drücken Sie **<MENU>**, um das Hauptmenü auf dem Display anzuzeigen.
2. Verwenden Sie **<UP>** oder **<DOWN>**, bis **SETUP** markiert ist.
3. Betätigen Sie **<ENTER>**.
4. Verwenden Sie **<UP>** oder **<DOWN>**, um **Pan1 Reverse** (für Spot 1) oder **Pan2 Reverse** (für Spot 2) auszuwählen.
5. Betätigen Sie **<ENTER>**.
6. Verwenden Sie **<UP>** oder **<DOWN>** um zwischen **OFF** (normale Schwenkbewegung) oder **ON** (Umgekehrte Schwenkbewegung) zu wählen.
7. Betätigen Sie **<ENTER>**.

Neigen umgekehrt

Manuelle Einstellung der Ausrichtung der Neigung beim GigBAR MOVE + ILS, folgen Sie den nachstehenden Anweisungen:

1. Drücken Sie **<MENU>**, um das Hauptmenü auf dem Display anzuzeigen.
2. Verwenden Sie **<UP>** oder **<DOWN>**, bis **SETUP** markiert ist.
3. Betätigen Sie **<ENTER>**.
4. Verwenden Sie **<UP>** oder **<DOWN>**, um **Tilt1 Reverse** (für Spot 1) oder **Tilt2 Reverse** (für Spot 2) auszuwählen.
5. Betätigen Sie **<ENTER>**.
6. Verwenden Sie **<UP>** oder **<DOWN>** um zwischen **OFF** (normale Neigebewegung) oder **ON** (Umgekehrte Neigungsbewegung) zu wählen.
7. Betätigen Sie **<ENTER>**.

Schwenkbereich

Einstellung des maximalen Winkels des Schwenkvorgangs beim GigBAR MOVE + ILS, gehen Sie wie folgt vor:

1. Drücken Sie **<MENU>**, um das Hauptmenü auf dem Display anzuzeigen.
2. Verwenden Sie **<UP>** oder **<DOWN>**, bis **SETUP** markiert ist.
3. Betätigen Sie **<ENTER>**.
4. Verwenden Sie **<UP>** oder **<DOWN>**, um **Pan Range** auszuwählen.
5. Betätigen Sie **<ENTER>**.
6. Verwenden Sie **<UP>** oder **<DOWN>** zum Einstellen des Schwenkwinkels von **180** (180°), **360** (360°) oder bis zu **540** (540°) zu wählen.
7. Betätigen Sie **<ENTER>**.

Neigungsbereich

Einstellung des maximalen Winkels der Neigung beim GigBAR MOVE + ILS, folgen Sie den nachstehenden Anweisungen:

1. Drücken Sie **<MENU>**, um das Hauptmenü auf dem Display anzuzeigen.
2. Verwenden Sie **<UP>** oder **<DOWN>**, bis **SETUP** markiert ist.
3. Betätigen Sie **<ENTER>**.
4. Verwenden Sie **<UP>** oder **<DOWN>**, um **Tilt Range** auszuwählen.
5. Betätigen Sie **<ENTER>**.
6. Verwenden Sie **<UP>** oder **<DOWN>** zum Einstellen des Neigungswinkels von **90** (90°), **180** (180°) oder bis zu **270** (270°) zu wählen.
7. Betätigen Sie **<ENTER>**.

Zurücksetzen auf Werkseinstellungen

Zurücksetzen von bestimmten Funktionen oder des gesamten Produkts auf die Werkseinstellungen, gehen Sie wie folgt vor:

1. Drücken Sie **<MENU>**, um das Hauptmenü auf dem Display anzuzeigen.
2. Verwenden Sie **<UP>** oder **<DOWN>**, bis **SETUP** markiert ist.
3. Betätigen Sie **<ENTER>**.
4. Verwenden Sie **<UP>** oder **<DOWN>**, um **RESET** auszuwählen.
5. Betätigen Sie **<ENTER>**.
6. Verwenden Sie **<UP>** oder **<DOWN>** zum **YES** (Zurücksetzen der Produktkonfiguration) or **NO** (Sie zum Abbrechen) zu wählen.
7. Betätigen Sie **<ENTER>**.

Konfiguration (DMX)

Der GigBAR MOVE + ILS kann mit einem DMX-Controller angesteuert werden. Informationen über DMX finden Sie im Dokument "DMX - Eine Einführung" von CHAUVET, das Sie auf der Website von Chauvet unter http://www.chauvetlighting.com/downloads/DMX_Primer_rev05_WO.pdf herunterladen können.

Startadresse

Beachten Sie bei der Auswahl der DMX-Startadresse die Anzahl der DMX-Kanäle, die der ausgewählte DMX-Modus verwendet. Wenn Sie eine Startadresse verwenden, die zu hoch ist, müssen Sie den Zugang zu einigen Gerätekanälen beschränken.

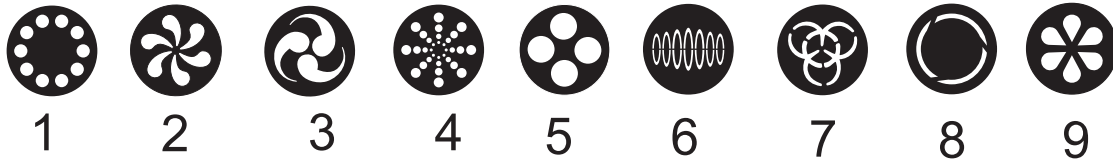
Der GigBAR MOVE + ILS verwendet bis zu 3 DMX-Kanäle, die höchste konfigurierbare Adresse auf **461** festlegen. Wenn Sie mit dem DMX-Protokoll nicht vertraut sind, laden Sie "DMX - Eine Einführung" unter www.chauvetdj.com herunter.

Um die Startadresse auszuwählen, gehen Sie wie folgt vor:

1. Drücken Sie **<MENU>**, um das Hauptmenü auf dem Display anzuzeigen.
2. Verwenden Sie **<UP>** oder **<DOWN>**, bis **DMX** ausgewählt ist.
3. Betätigen Sie **<ENTER>**.
4. Drücken Sie erneut **<ENTER>**.
5. Verwenden Sie **<UP>** oder **<DOWN>** um den DMX-Kanal zu wählen: **3CH**, **30CH** oder **52CH**.
6. Betätigen Sie **<ENTER>**.
7. Verwenden Sie **<UP>** oder **<DOWN>**, um **Address** auszuwählen.
8. Betätigen Sie **<ENTER>**.
9. Verwenden Sie **<UP>** oder **<DOWN>**, um die Startadresse zu erhöhen oder zu verringern.
10. Betätigen Sie **<ENTER>**.

DMX-Kanal – Zuordnungen und Werte

Gobos



52-Kanal

Kanal	Funktion	Wert	Prozent/Einstellung
1	Steuerung von PAR-Kanne 1	000 ⇔ 255	Par 1 Rot, DIM
2		000 ⇔ 255	Par 1 Grün, DIM
3		000 ⇔ 255	Par 1 Blau, DIM
4		000 ⇔ 255	Par 1 Bernsteinfarben, DIM
5		000 ⇔ 255	Par 1 Weiß, DIM
6		000 ⇔ 255	Par 1 UV, DIM
7		000 ⇔ 250 251 ⇔ 255	Blitzfrequenz, von langsam nach schnell Musikgesteuerter Stroboskopeffekt
8	Steuerung von PAR-Kanne 2	000 ⇔ 255	Par 2 Rot, DIM
9		000 ⇔ 255	Par 2 Grün, DIM
10		000 ⇔ 255	Par 2 Blau, DIM
11		000 ⇔ 255	Par 2 Bernsteinfarben, DIM
12		000 ⇔ 255	Par 2 Weiß, DIM
13		000 ⇔ 255	Par 2 UV, DIM
14		000 ⇔ 250 251 ⇔ 255	Blitzfrequenz, von langsam nach schnell Musikgesteuerter Stroboskopeffekt
15	Steuerung von Derby 1	000 ⇔ 255	Derby 1 Rot
16		000 ⇔ 255	Derby 1 Grün
17		000 ⇔ 255	Derby 1 Blau
18		000 ⇔ 255	Derby 1 Weiß
19		000 ⇔ 250 251 ⇔ 255	Blitzfrequenz, von langsam nach schnell Musikgesteuerter Stroboskopeffekt
20		000	Keine Funktion
		001 ⇔ 127 128	Im Uhrzeigersinn rotieren, von langsam nach schnell Keine Funktion
	129 ⇔ 255	Entgegen dem Uhrzeigersinn rotieren, von langsam nach schnell	
21	Steuerung von Derby 2	000 ⇔ 255	Derby 2 Rot
22		000 ⇔ 255	Derby 2 Grün
23		000 ⇔ 255	Derby 2 Blau
24		000 ⇔ 255	Derby 2 Weiß
25		000 ⇔ 250 251 ⇔ 255	Blitzfrequenz, von langsam nach schnell Musikgesteuerter Stroboskopeffekt
26		000	Keine Funktion
		001 ⇔ 127 128	Im Uhrzeigersinn rotieren, von langsam nach schnell Keine Funktion
	129 ⇔ 255	Entgegen dem Uhrzeigersinn rotieren, von langsam nach schnell	

Kanal	Funktion	Wert	Prozent/Einstellung
27	Blitzlicht	000 ⇔ 255	Weißer LED 1 Dimmer
28		000 ⇔ 255	Weißer LED 2 Dimmer
29		000 ⇔ 255	Weißer LED 3 Dimmer
30		000 ⇔ 255	Weißer LED 4 Dimmer
31		000 ⇔ 250	Blitzfrequenz, von langsam nach schnell
	251 ⇔ 255	Musikgesteuerter Stroboskopeffekt	
32	Lasersteuerung	000 ⇔ 005	Verdunkelung
		006 ⇔ 041	Rot
		042 ⇔ 077	Grün
		078 ⇔ 113	Blau
		114 ⇔ 149	Rot + grün
		150 ⇔ 185	Rot + blau
		186 ⇔ 221	Grün + blau
		222 ⇔ 255	
33		000 ⇔ 255	Blitzfrequenz, von langsam nach schnell
34		000	Keine Funktion
		001 ⇔ 127	Im Uhrzeigersinn rotieren, von langsam nach schnell
		128	Keine Funktion
		129 ⇔ 255	Entgegen dem Uhrzeigersinn rotieren, von langsam nach schnell
35	Spot 1 Steuerung	000 ⇔ 255	Schwenkung
36		000 ⇔ 255	Feines Schwenken
37		000 ⇔ 255	Neigung
38		000 ⇔ 255	Feines Neigen
39		000 ⇔ 255	Pan/Tilt Geschwindigkeit
40	Spot 1 Farbrad	000 ⇔ 006	Weiß
		007 ⇔ 013	Rot
		014 ⇔ 020	Orange
		021 ⇔ 027	Gelb
		028 ⇔ 034	Grün
		035 ⇔ 041	Blau
		042 ⇔ 048	CTO 400K
		049 ⇔ 055	Cyan
		056 ⇔ 062	Magenta
		063 ⇔ 064	Limonengrün
		065 ⇔ 189	Farbindex
		190 ⇔ 221	Farbdurchlauf im Uhrzeigersinn, schnell bis langsam
		222 ⇔ 223	Stopp
		224 ⇔ 255	Farbdurchlauf gegen den Uhrzeigersinn, langsam bis schnell

Kanal	Funktion	Wert	Prozent/Einstellung
41	Spot 1 Goborad (siehe Gobos)	000 ⇔ 005	Öffnen
		006 ⇔ 011	Gobo 1
		012 ⇔ 017	Gobo 2
		018 ⇔ 023	Gobo 3
		024 ⇔ 029	Gobo 4
		030 ⇔ 035	Gobo 5
		036 ⇔ 041	Gobo 6
		042 ⇔ 047	Gobo 7
		048 ⇔ 053	Gobo 8
		054 ⇔ 063	Gobo 9
		064 ⇔ 069	Gobo 9 schütteln, langsam bis schnell
		070 ⇔ 075	Gobo 8 schütteln, langsam bis schnell
		076 ⇔ 081	Gobo 7 schütteln, langsam bis schnell
		082 ⇔ 087	Gobo 6 schütteln, langsam bis schnell
		088 ⇔ 093	Gobo 5 schütteln, langsam bis schnell
		094 ⇔ 099	Gobo 4 schütteln, langsam bis schnell
		100 ⇔ 105	Gobo 3 schütteln, langsam bis schnell
		106 ⇔ 111	Gobo 2 schütteln, langsam bis schnell
112 ⇔ 117	Gobo 1 schütteln, langsam bis schnell		
118 ⇔ 127	Öffnen		
128 ⇔ 189	Im Uhrzeigersinn rotieren, von langsam nach schnell		
190 ⇔ 193	Stopp		
194 ⇔ 255	Entgegen dem Uhrzeigersinn rotieren, von langsam nach schnell		
42	Spot 1 Dimmer	000 ⇔ 255	0–100%
43	Spot 1 Stroboskop	000 ⇔ 003	Geschlossen
		004 ⇔ 007	Oppen
		008 ⇔ 076	Stroboskop, langsam bis schnell
		077 ⇔ 145	Impuls-Strobe, langsam bis schnell
		146 ⇔ 215	Zufallsblitz, langsam bis schnell
		216 ⇔ 255	Oppen
44	Spot 2 Steuerung	000 ⇔ 255	Schwenkung
45		000 ⇔ 255	Feines Schwenken
46		000 ⇔ 255	Neigung
47		000 ⇔ 255	Feines Neigen
48		000 ⇔ 255	Pan/Tilt Geschwindigkeit

Kanal	Funktion	Wert	Prozent/Einstellung
49	Spot 2 Farbrad	000 ⇔ 006	Weiß
		007 ⇔ 013	Rot
		014 ⇔ 020	Orange
		021 ⇔ 027	Gelb
		028 ⇔ 034	Grün
		035 ⇔ 041	Blau
		042 ⇔ 048	CTO 400K
		049 ⇔ 055	Cyan
		056 ⇔ 062	Magenta
		063 ⇔ 064	Limonengrün
		065 ⇔ 189	Farbindex
		190 ⇔ 221	Farbdurchlauf im Uhrzeigersinn, schnell bis langsam
		222 ⇔ 223	Stopp
		224 ⇔ 255	Farbdurchlauf gegen den Uhrzeigersinn, langsam bis schnell
50	Spot 2 Goborad (siehe Gobos)	000 ⇔ 005	Öffnen
		006 ⇔ 011	Gobo 1
		012 ⇔ 017	Gobo 2
		018 ⇔ 023	Gobo 3
		024 ⇔ 029	Gobo 4
		030 ⇔ 035	Gobo 5
		036 ⇔ 041	Gobo 6
		042 ⇔ 047	Gobo 7
		048 ⇔ 053	Gobo 8
		054 ⇔ 063	Gobo 9
		064 ⇔ 069	Gobo 9 schütteln, langsam bis schnell
		070 ⇔ 075	Gobo 8 schütteln, langsam bis schnell
		076 ⇔ 081	Gobo 7 schütteln, langsam bis schnell
		082 ⇔ 087	Gobo 6 schütteln, langsam bis schnell
		088 ⇔ 093	Gobo 5 schütteln, langsam bis schnell
		094 ⇔ 099	Gobo 4 schütteln, langsam bis schnell
		100 ⇔ 105	Gobo 3 schütteln, langsam bis schnell
		106 ⇔ 111	Gobo 2 schütteln, langsam bis schnell
		112 ⇔ 117	Gobo 1 schütteln, langsam bis schnell
		118 ⇔ 127	Öffnen
128 ⇔ 189	Im Uhrzeigersinn rotieren, von langsam nach schnell		
190 ⇔ 193	Stopp		
194 ⇔ 255	Entgegen dem Uhrzeigersinn rotieren, von langsam nach schnell		
51	Spot 2 Dimmer	000 ⇔ 255	0–100%
52	Spot 1 Stroboskop	000 ⇔ 003	Geschlossen
		004 ⇔ 007	Offen
		008 ⇔ 076	Stroboskop, langsam bis schnell
		077 ⇔ 145	Impuls-Strobe, langsam bis schnell
		146 ⇔ 215	Zufallsblitz, langsam bis schnell
		216 ⇔ 255	Offen

30-Kanal

Kanal	Funktion	Wert	Prozent/Einstellung
1	Steuerung von PAR-Kanne 1	000 ⇔ 255	Par 1 Rot, DIM
2		000 ⇔ 255	Par 1 Grün, DIM
3		000 ⇔ 255	Par 1 Blau, DIM
4		000 ⇔ 255	Par 1 Bernsteinfarben, DIM
5		000 ⇔ 255	Par 1 Weiß, DIM
6		000 ⇔ 255	Par 1 UV, DIM
7		000 ⇔ 250 251 ⇔ 255	Blitzfrequenz, von langsam nach schnell Musikgesteuerter Stroboskopeffekt
8	Steuerung von Derby 1	000 ⇔ 255	Derby 1 Rot
9		000 ⇔ 255	Derby 1 Grün
10		000 ⇔ 255	Derby 1 Blau
11		000 ⇔ 255	Derby 1 Weiß
12		000 ⇔ 250 251 ⇔ 255	Blitzfrequenz, von langsam nach schnell Musikgesteuerter Stroboskopeffekt
13		000	Keine Funktion
		001 ⇔ 127	Im Uhrzeigersinn rotieren, von langsam nach schnell
	128	Keine Funktion	
	129 ⇔ 255	Entgegen dem Uhrzeigersinn rotieren, von langsam nach schnell	
14	Blitzlicht	000 ⇔ 255	Weiß LED 1 Dimmer
15		000 ⇔ 255	Weiß LED 2 Dimmer
16		000 ⇔ 255	Weiß LED 3 Dimmer
17		000 ⇔ 255	Weiß LED 4 Dimmer
18		000 ⇔ 250	Blitzfrequenz, von langsam nach schnell
		251 ⇔ 255	Musikgesteuerter Stroboskopeffekt
19	Lasersteuerung	000 ⇔ 005	Verdunkelung
		006 ⇔ 041	Rot
		042 ⇔ 077	Grün
		078 ⇔ 113	Blau
		114 ⇔ 149	Rot + grün
		150 ⇔ 185	Rot + blau
		186 ⇔ 221	Grün + blau
		222 ⇔ 255	
20	000 ⇔ 255	Blitzfrequenz, von langsam nach schnell	
21	000	Keine Funktion	
	001 ⇔ 127	Im Uhrzeigersinn rotieren, von langsam nach schnell	
	128	Keine Funktion	
	129 ⇔ 255	Entgegen dem Uhrzeigersinn rotieren, von langsam nach schnell	
22	Spot Steuerung	000 ⇔ 255	Schwenkung
23		000 ⇔ 255	Feines Schwenken
24		000 ⇔ 255	Neigung
25		000 ⇔ 255	Feines Neigen
26		000 ⇔ 255	Pan/Tilt Geschwindigkeit

Kanal	Funktion	Wert	Prozent/Einstellung
27	Spot Farbrad	000 ⇔ 006	Weiß
		007 ⇔ 013	Rot
		014 ⇔ 020	Orange
		021 ⇔ 027	Gelb
		028 ⇔ 034	Grün
		035 ⇔ 041	Blau
		042 ⇔ 048	CTO 400K
		049 ⇔ 055	Cyan
		056 ⇔ 062	Magenta
		063 ⇔ 064	Limonengrün
		065 ⇔ 189	Farbindex
		190 ⇔ 221	Farbdurchlauf im Uhrzeigersinn, schnell bis langsam
		222 ⇔ 223	Stopp
		224 ⇔ 255	Farbdurchlauf gegen den Uhrzeigersinn, langsam bis schnell
28	Spot Goborad (siehe Gobos)	000 ⇔ 005	Öffnen
		006 ⇔ 011	Gobo 1
		012 ⇔ 017	Gobo 2
		018 ⇔ 023	Gobo 3
		024 ⇔ 029	Gobo 4
		030 ⇔ 035	Gobo 5
		036 ⇔ 041	Gobo 6
		042 ⇔ 047	Gobo 7
		048 ⇔ 053	Gobo 8
		054 ⇔ 063	Gobo 9
		064 ⇔ 069	Gobo 9 schütteln, langsam bis schnell
		070 ⇔ 075	Gobo 8 schütteln, langsam bis schnell
		076 ⇔ 081	Gobo 7 schütteln, langsam bis schnell
		082 ⇔ 087	Gobo 6 schütteln, langsam bis schnell
		088 ⇔ 093	Gobo 5 schütteln, langsam bis schnell
		094 ⇔ 099	Gobo 4 schütteln, langsam bis schnell
		100 ⇔ 105	Gobo 3 schütteln, langsam bis schnell
		106 ⇔ 111	Gobo 2 schütteln, langsam bis schnell
		112 ⇔ 117	Gobo 1 schütteln, langsam bis schnell
		118 ⇔ 127	Öffnen
128 ⇔ 189	Im Uhrzeigersinn rotieren, von langsam nach schnell		
190 ⇔ 193	Stopp		
194 ⇔ 255	Entgegen dem Uhrzeigersinn rotieren, von langsam nach schnell		
29	Spot Dimmer	000 ⇔ 255	0–100%
30	Spot Stroboskop	000 ⇔ 003	Geschlossen
		004 ⇔ 007	Offen
		008 ⇔ 076	Stroboskop, langsam bis schnell
		077 ⇔ 145	Impuls-Strobe, langsam bis schnell
		146 ⇔ 215	Zufallsblitz, langsam bis schnell
		216 ⇔ 255	Offen

3-Kanal

Kanal	Funktion	Wert	Percent/Setting
1	Betrieb	000 ⇔ 005	Verdunkelung
		006 ⇔ 013	Mix 1
		014 ⇔ 022	Mix 2
		023 ⇔ 031	Mix 3
		032 ⇔ 040	Mix 4
		041 ⇔ 049	PAR-Kannen + Derby beleuchtung + Laser + Stroboskopeffekte
		050 ⇔ 058	PAR-Kannen + Derby beleuchtung + Laser + Spots
		059 ⇔ 067	PAR-Kannen + Derby beleuchtung + Stroboskopeffekte + Spots
		068 ⇔ 076	PAR-Kannen + Laser + Stroboskopeffekte + Spots
		077 ⇔ 085	Derby beleuchtung + Laser + Stroboskopeffekte + Spots
		086 ⇔ 094	PAR-Kannen + Derby beleuchtung + Laser
		095 ⇔ 103	PAR-Kannen + Derby beleuchtung + Stroboskopeffekte
		104 ⇔ 112	PAR-Kannen + Derby beleuchtung + Spots
		113 ⇔ 121	PAR-Kannen + Laser + Stroboskopeffekte
		122 ⇔ 130	PAR-Kannen + Laser + Spots
		131 ⇔ 139	PAR-Kannen + Stroboskopeffekte + Spots
		140 ⇔ 147	PAR-Kannen und Derby beleuchtung
		148 ⇔ 155	PAR-Kannen und Laser
		156 ⇔ 163	PAR-Kannen und Stroboskopeffekte
		164 ⇔ 171	PAR-Kannen und Spots
		172 ⇔ 179	Derby beleuchtung und Laser
		180 ⇔ 187	Derby beleuchtung und Stroboskopeffekte
		188 ⇔ 195	Derby beleuchtung und Spots
		196 ⇔ 203	Laser und Stroboskopeffekte
		204 ⇔ 211	Laser und Spots
		212 ⇔ 219	Stroboskopeffekte und Spots
		220 ⇔ 227	NUR PAR-Kannen eingeschaltet
		228 ⇔ 235	NUR Derby beleuchtung eingeschaltet
		236 ⇔ 243	NUR Laser eingeschaltet
		244 ⇔ 251	NUR Stroboskopeffekte eingeschaltet
252 ⇔ 255	NUR Spot eingeschaltet		
2	Geschwindigkeit des Auto-Programms	000 ⇔ 249	Geschwindigkeit, langsam bis schnell (stellt das automatische Programm in CH1 ein)
		250 ⇔ 255	Geschwindigkeit, langsam bis schnell (stellt das Musikprogramm in CH1 ein)
3	Geschwindigkeit der Spots XY	000 ⇔ 255	Geschwindigkeit der Spots XY, langsam bis schnell

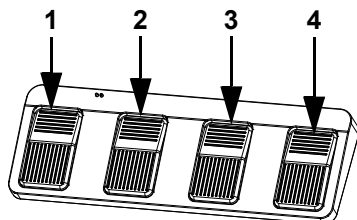


Wenn der Wert von CH2 zwischen 000-127 liegt, befindet sich CH1 im Auto-Modus.
 Wenn der Wert von CH2 zwischen 128-255 liegt, befindet sich CH1 im Sound-Modus.

Betrieb mit drahtlosem Fußschalter

Über den beiliegenden drahtlosen Fußschalter haben Sie Zugriff auf voreingestellte Farben, Farbwechsel-Programme und Musiksteuerung über das Mikrofon des GigBAR MOVE + ILS.

Verwendung des Fußschalter:



1. Verbinden Sie den GigBAR MOVE + ILS mit dem Stromnetz. Schalten Sie den drahtlosen Fußschalter ein.
2. Betätigen Sie wiederholt **<MENU>**, bis **SYS** auf der Anzeige angezeigt wird, und betätigen Sie **<ENTER>**.
3. Mit den Tasten **<UP>** oder **<DOWN>** wählen Sie **FOOT**, und betätigen Sie **<ENTER>**.
4. Verwenden Sie **<UP>** oder **<DOWN>**, um **COMMON** (zur Verwendung der GigBAR MOVE + ILS mit einem beliebigen Fußschalter) oder **BIND** (zur Kopplung eines Fußschalters mit einem bestimmten GigBAR MOVE + ILS-Gerät) auszuwählen.
5. Zum Aktivieren der gewünschten Funktion verwenden Sie bitte nachstehende Tabelle.

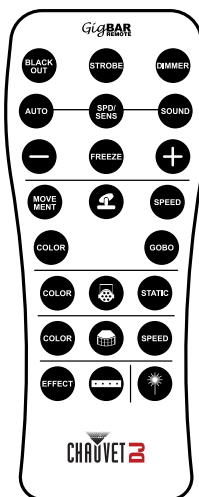
Pedal	Action	Functions
1 (Automatische Programme)	Drücken Sie zum Aktivieren auf das Pedal, drücken Sie dann darauf, um zur gewünschten Funktion zu navigieren	Automatische Programme
2 (Klangmodus)	Drücken und halten	Musiksteuerungsprogramm
3 (Statische Farben)	Drücken	Wechselt durch Farben (NUR PAR-Kannen und Derby)
4 (Verdunkelung)	Drücken	Verdunkelung an oder aus



Der GigBAR MOVE + ILS Fußschalter funktioniert in jedem Modus einwandfrei, die max. Entfernung des Fußschalters bei freier Sicht beträgt 30,5 m. Vor dem Gebrauch des Fußschalters muss ir am GigBAR MOVE + ILS aktivieren, Wählen Sie einen Kanal, und navigieren Sie zum Modus Auto.

GigBAR Funkfernbedienung

GigBAR MOVE + ILS können mit der GigBAR Funkfernbedienung angesteuert werden. Zum Aktivieren der drahtlosen Steuerung per Fernbedienung befolgen Sie folgende Anweisungen:



1. Drücken Sie auf **<MENU>**, um das Hauptmenü auf der Anzeige anzuzeigen.
2. Drücken Sie auf **<UP>** oder **<DOWN>** den Menüpunkt **SETUP** (Einrichtung).
3. Drücken Sie auf **<ENTER>**.
4. Wählen Sie mit **<UP>** oder **<DOWN>** den Menüpunkt **RF** (Fernbedienung).
5. Betätigen Sie **<ENTER>**.
6. Wählen Sie mit **<UP>** oder **<DOWN>** den Menüpunkt **COMMON** (Allgemein) (zum Verbinden eines GigBAR MOVE + ILS Geräts mit einer beliebigen Fernbedienung) oder **BIND** (Koppeln) (zum Pairen einer Fernbedienung mit einem bestimmten **GigBAR MOVE + ILS** Gerät).
7. Drücken Sie auf **<ENTER>**.

Bedienung der GigBAR RF-Fernbedienung

Verdunkelung

So verdunkeln Sie die Lasergeräte mit der Fernbedienung:
To black out the lasers with the RF remote:

- Drücken Sie auf der Fernbedienung auf **<BLACK OUT>**.

Damit schalten Sie alle Lasergeräte aus, bis diese Taste erneut gedrückt wird.
HINWEIS: Die Fernbedienung reagiert auf keine Eingabe, solange die „Verdunkelung“ aktiviert ist. Wenn das Gerät auf das Drücken einer Taste nicht reagiert, drücken Sie auf **<BLACK OUT>**. „Verdunkelung“ ist möglicherweise aktiviert.

Stroboskop

So aktivieren Sie das Stroboskop im manuellen Modus mit der Fernbedienung:

1. Drücken Sie auf der Fernbedienung auf **<STROBE>** und halten Sie diese Taste gedrückt.
2. Drücken Sie auf **<+>** oder **<->**, um das Stroboskop einzustellen.

Dimmer

So stellen Sie den Dimmer mit der Fernbedienung ein:

1. Drücken Sie auf der Fernbedienung auf **<STROBE>** und halten Sie diese Taste gedrückt.
2. Drücken Sie auf **<+>** oder **<->**, um die Helligkeit einzustellen.

Auto-Modus

Mit dem Auto-Modus lassen sich die automatischen Programme des Geräts abspielen. So schalten Sie den Auto-Modus mit der Fernbedienung ein:

1. Drücken Sie auf der Fernbedienung auf **<AUTO>** und halten Sie diese Taste gedrückt.
2. Drücken Sie zur Auswahl zwischen den verschiedenen Auto-Programmen auf **<+>** oder **<->**.

Geschwindigkeit

So stellen Sie die Geschwindigkeit des Auto-Programms/Punktstrahlers mit der Fernbedienung ein:

1. Drücken Sie auf der Fernbedienung auf **<SPD>**.
2. Drücken Sie zum Erhöhen oder Verringern der Programmgeschwindigkeit auf **<+>** oder **<->**.

Musiksteuerungs-Modus

So schalten Sie den Musiksteuerungs-Modus mit der Fernbedienung ein:

1. Drücken Sie auf der Fernbedienung auf **<SOUND>** und halten Sie diese Taste gedrückt.
2. Drücken Sie zum Auswählen eines Musiksteuerungs-Programms auf **<+>** or **<->**.

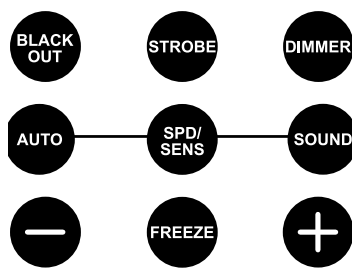
So stellen Sie die Musikempfindlichkeit ein:

1. Drücken Sie auf der Fernbedienung auf **<SENS>**.
2. Drücken Sie zum Erhöhen oder Verringern der Empfindlichkeit auf **<+>** oder **<->**.

Einfrieren

So pausieren Sie ein Auto-Programm mit der Fernbedienung:

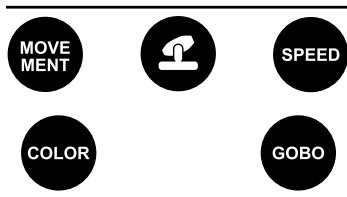
1. Drücken Sie auf der Fernbedienung auf **<FREEZE>**.



Punktstrahler-Programm

So wählen Sie ein Programm für die Punktstrahler mit der Fernbedienung aus:

1. Drücken Sie auf der Fernbedienung auf **<MOVE MENT>**.



Punktstrahler XY Geschwindigkeit

So stellen Sie die Geschwindigkeit der Schwenkung/Neigung mit der Fernbedienung ein:

1. Drücken Sie auf der Fernbedienung auf die Symboltaste für **Spot**.
2. Drücken Sie auf der Fernbedienung auf **<SPEED>**.
3. Drücken Sie zum Erhöhen oder Senken der Geschwindigkeit der Schwenkung/Neigung auf **<+>** oder **<->**.

Punktstrahler-Farbe

So wählen Sie eine Farbe für die Punktstrahler mit der Fernbedienung aus:

1. Drücken Sie auf der Fernbedienung auf die Symboltaste für **Spot**.
2. Drücken Sie auf der Fernbedienung auf **<COLOR>**.
3. Drücken Sie auf **<+>** oder **<->**, um durch das Farbrad zu scrollen.

Punktstrahler-Gobo

So wählen Sie ein Gobo für die Punktstrahler mit der Fernbedienung aus:

1. Drücken Sie auf der Fernbedienung auf die Symboltaste für **Spot**.
2. Drücken Sie auf der Fernbedienung auf **<GOBO>**.
3. Drücken Sie auf **<+>** oder **<->**, um durch das Goborad zu scrollen.

PAR-Programm

So wählen Sie ein Programm für die Kannen mit der Fernbedienung aus:

1. Drücken Sie auf der Fernbedienung auf die Symboltaste für **Par**.
2. Drücken Sie auf der Fernbedienung auf **<COLOR>**.
3. Drücken Sie **<+>** oder **<->**, um durch die Farbprogramme zu blättern.



PAR-Farbe

So wählen Sie eine statische Farbe für die Kannen mit der Fernbedienung aus:

1. Drücken Sie auf der Fernbedienung auf die Symboltaste für **Par**.
2. Drücken Sie auf der Fernbedienung auf **<STATIC>**.
3. Drücken Sie **<+>** oder **<->**, um durch die statischen Farben zu blättern.

Derby-Programm

So wählen Sie ein Programm für den Derby mit der Fernbedienung aus:

1. Drücken Sie auf der Fernbedienung auf die Symboltaste für **Derby**.
2. Drücken Sie auf der Fernbedienung auf **<COLOR>**.
3. Drücken Sie **<+>** oder **<->**, um durch die Farbprogramme zu blättern.



Derby-Geschwindigkeit

So stellen Sie die Geschwindigkeit des Derby-Effekts mit der Fernbedienung ein:

1. Drücken Sie auf der Fernbedienung auf die Symboltaste für **Derby**.
2. Drücken Sie auf der Fernbedienung auf **<SPEED>**.
3. Drücken Sie zum Erhöhen oder Verringern der Rotationsgeschwindigkeit auf **<+>** oder **<->**.



Laser

So schalten Sie das Lasergerät mit der Fernbedienung ein und aus:

1. Drücken Sie auf der Fernbedienung auf die Symboltaste für **Laser**.

Stroboskop-Programm

So wählen Sie ein Programm für das Stroboskop mit der Fernbedienung aus:

1. Drücken Sie auf der Fernbedienung auf die Symboltaste für Stroboskop.
2. Drücken Sie die Taste **<EFFECT>**, um einen bestimmten Effekt auszuwählen.
3. Drücken Sie **<+>** oder **<->**, um durch die Effekte zu blättern.



- Jede Einstellung an der Fernbedienung wird gespeichert, bis das System neu gestartet wird. Das System kehrt nach dem Neustart zum Auto-Modus zurück.
- Die Tasten auf der Fernbedienung, die nicht oben aufgeführt sind, sind für eine künftige Verwendung reserviert.

Master/Slave-Modus

Im Master/Slave-Modus lassen sich mit einem einzigen GigBAR MOVE + ILS-Gerät (das Master-Gerät) die Aktionen eines oder mehrerer GigBAR MOVE + ILS-Geräte (die Slave-Geräte) ansteuern, ohne einen DMX-Controller verwenden zu müssen. Das Master-Gerät wird so eingerichtet, dass es entweder im Einzelplatzmodus betrieben wird, während die Slave-Geräte so eingerichtet werden, dass sie im Slave-Modus arbeiten. Sobald dies eingestellt ist und alle Geräte verbunden sind, arbeiten die Slave-Geräte im Takt des Master-Geräts. Konfigurieren Sie die Geräte wie unten angezeigt.

Slave-Geräte:

1. Drücken Sie wiederholt **<MENU>**, bis **SETUP** auf dem Display angezeigt wird, und drücken Sie dann **<ENTER>**.
2. Drücken Sie **<UP>** oder **<DOWN>**, um **DFI** auszuwählen, und drücken Sie dann **<ENTER>**.
3. Verwenden Sie **<UP>** oder **<DOWN>**, um **RX** auszuwählen, und drücken Sie dann **<ENTER>**.
4. Verwenden Sie **<UP>** oder **<DOWN>**, um den D-Fi-Empfangskanal von **1–16** auszuwählen.
5. Drücken Sie **<ENTER>**.
6. Drücken Sie wiederholt **<MENU>**, bis **SLAVE** auf dem Display angezeigt wird, und drücken Sie dann **<ENTER>**.

Master-Gerät:

1. Drücken Sie wiederholt **<MENU>**, bis im Display **SETUP** angezeigt wird, und drücken Sie dann **<ENTER>**.
2. Drücken Sie **<UP>** oder **<DOWN>**, um **DFI** auszuwählen, und drücken Sie dann **<ENTER>**.
3. Verwenden Sie **<UP>** oder **<DOWN>**, um **TX** auszuwählen, und drücken Sie dann **<ENTER>**.
4. Verwenden Sie **<UP>** oder **<DOWN>**, um den D-Fi-Sendekanal von **1–16** auszuwählen.
5. Drücken Sie **<ENTER>**.
 - **Konfigurieren Sie alle Slave-Geräte, bevor Sie das Master-Gerät an die Serienschaltung anschließen.**
 - **Die Anzeige auf den Slave-Geräten blinkt, bis die Slave-Geräte vom Master ein DMX-Signal empfangen.**
 - **Schließen Sie niemals einen DMX-Controller an eine DMX-Leitung an, die für einen Master/Slave-Betrieb konfiguriert ist, da der Controller die Signale des Master-Geräts stören kann.**



5. Wartung

Wartung des Geräts

Staubablagerungen reduzieren die Lichtabgabe und können zu Überhitzung führen. Das kann die Lebensdauer des Leuchtmittels reduzieren und/oder die mechanische Abnutzung beschleunigen. Zum Erhalt der optimalen Leistungsfähigkeit und der Minimierung der Abnutzung sollten Sie Ihren Lichteffekt mindestens zweimal pro Monat reinigen. Allerdings hängt die erforderliche Häufigkeit der Reinigung von der Nutzung und den Umgebungsbedingungen ab.

Zum Reinigen des Geräts befolgen Sie die Anweisungen unten:

1. Trennen Sie das Gerät vom Stromnetz.
2. Warten Sie, bis das Gerät auf Raumtemperatur abgekühlt ist.
3. Verwenden Sie einen Staubsauger (oder Druckluft) sowie eine weiche Bürste, um den Staub auf der Oberfläche des Geräts und in den Lüftungsbereichen zu entfernen.
4. Reinigen Sie alle transparenten Oberflächen mit einer milden Seifenlösung, mit ammoniakfreiem Glasreiniger oder Isopropylalkohol.
5. Geben Sie die Lösung direkt auf ein weiches, faserfreies Baumwolltuch oder Linsenreinigungstuch.
6. Ziehen Sie sanft Schmutz oder Ablagerungen in Richtung der Außenkanten der transparenten Oberflächen.
7. Polieren Sie sorgfältig diese transparenten Oberflächen, bis alle Schmutzfilme und Fasern verschwunden sind.



Trocknen Sie die transparenten Oberflächen immer sorgfältig nach der Reinigung ab.

6. Technische Daten

Abmessungen und Gewicht

Länge	Breite	Höhe	Gewicht
1100 mm (43 Zoll)	144 mm (5,7 Zoll)	449 mm (17,7 Zoll)	14 kg (31 lb)

Hinweis: Abmessungen in Zoll sind gerundet.

Leistungsaufnahme

Eingangsspannung	Bereich	Spannungsschalter
Vorschaltgerät (integriert)	100-240 V AC 50/60 Hz	Autom. Spann.-Erkennung
Parameter	120 V / 60 Hz	230 V / 50 Hz
Stromverbrauch	250 W	79 W
Betriebsstromstärke	3 A	0,6 A
Stromstärke für Serienschaltung (Geräte)	8 A (2 products)	8 A (4 products)
Sicherung	T 3,15 A, 250 V	T 3,15 A, 250 V
I/O-Eingangsbuchse	USA/weltweit	GB/Europa
Stromeingangsbuchse	IEC	IEC
Stromausgangsbuchse	Edison	IEC
Netzkabelstecker	Edison (USA)	Lokaler Stecker

Leuchtquelle (Laser)

Typ	Leistungsaufnahme	Wellenlänge
Laser (rot)	100 mW	650 nm
Laser (grün)	30 mW	520 nm
Laser (blau)	100 mW	450 nm

Leuchtquelle (Derby)

Typ	Farbe	Menge	Leistung	Strom	Betriebsdauer
LED	RGB	8	6,5 W	2 A	50.000 Stunden

Leuchtquelle (Kannen)

Typ	Farbe	Menge	Leistung	Strom	Betriebsdauer
LED	RGB + UV	3	6 W	2 A	50.000 Stunden

Leuchtquelle (Stroboskope)

Typ	Farbe	Menge	Leistung	Strom	Betriebsdauer
LED	Weiß + UV	4	5 W	1,2 A	50.000 Stunden

Leuchtquelle (Bewegliches joch)

Typ	Farbe	Menge	Leistung	Strom	Betriebsdauer
LED	Weiß	1	32 W	3 A	50.000 Stunden

Technische Daten

Lichttechnische Daten

Abdeckungswinkel (Derby)	Abdeckungswinkel (Laser)	Bildfeldwinkel (Kannen)	Bildfeldwinkel (Stroboskope)
131°	93°	33°	62°
Abstrahlwinkel (Bewegliches joch)	Abstrahlwinkel (Kannen)	Abstrahlwinkel (Stroboskope)	
17°	22°	30°	
Beleuchtungsstärke bei 2 m (Kannen)	Beleuchtungsstärke bei 2 m (Bewegliches joch)	Beleuchtungsstärke bei 2 m (Stroboskope)	
1.205 Lux (pro Kopf)	5.140 Lux (pro Kopf)	130 Lux (pro Zone)	
Schwenken und kippen	Blitzfrequenz		
540°/ 180°	0–30 Hz		

Wärmeentwicklung

Laser Min. externe Temp.	Laser Max. externe Temp.	Kühlsystem
15 °C (59 °F)	35 °C (95 °F)	Konvektion

DMX

I/O-Buchsen	Kanalbereich
3-polig XLR	3, 30, or 52

Bestellung

Produktbezeichnung	Artikelcode (EU)	UPC-Code (EU)
GigBAR MOVE + ILS	10051948	781462222963



Kontaktiere Uns

Allgemeine Information	Technischer Support
Chauvet World Headquarters	
Adresse: 5200 NW 108th Ave. Sunrise, FL 33351 Telefon: (954) 577-4455 Fax: (954) 929-5560 Zollfrei: (800) 762-1084	Telefon: (844) 393-7575 Fax: (954) 756-8015 Email: chauvetcs@chauvetlighting.com Webseite: www.chauvetdj.com
Chauvet U.K.	
Adresse: Unit 1C Brookhill Road Industrial Estate Pinxton, Nottingham, UK NG16 6NT Telefon: +44 (0) 1773 511115 Fax: +44 (0) 1773 511110	Email: UKtech@chauvetlighting.eu Webseite: www.chauvetdj.eu
Chauvet Benelux	
Adresse: Stokstraat 18 9770 Kruishoutem Belgium Telefon: +32 9 388 93 97	Email: BNLtech@chauvetlighting.eu Webseite: www.chauvetdj.eu
Chauvet France	
Adresse: 3, Rue Ampère 91380 Chilly-Mazarin France Telefon: +33 1 78 85 33 59	Email: FRtech@chauvetlighting.fr Webseite: www.chauvetdj.eu
Chauvet Germany	
Adresse: Bruno-Bürgel-Str. 11 28759 Bremen Germany Telefon: +49 421 62 60 20	Email: DEtech@chauvetlighting.de Webseite: www.chauvetdj.eu
Chauvet Mexico	
Adresse: Av. de las Partidas 34 - 3B (Eingang von der Calle 2) Zona Industrial Lerma Lerma, Edo. de México, CP 52000 Telefon: +52 (728) 690-2010	Email: servicio@chauvet.com.mx Webseite: www.chauvetdj.mx

Garantie und Reklamationen

Für die Registrierung der Garantie und die vollständigen Geschäftsbedingungen besuchen Sie bitte die Chauvet-Website.

Für Kunden im Vereinigten Königreich, der Republik Irland, Belgien, den Niederlanden, Luxemburg, Frankreich und Deutschland: www.chauvetlighting.eu/warranty-registration.

1. Voordat tu begint

Wat is er inbegrepen

- GigBAR MOVE + ILS
- Stroomsnoer
- RF afstandsbediening
- Draagtas
- Driepoot
- Driepoot draagzak
- Voetschakelaar
- Gebruikershandleiding

Uitpakinstructies

Pak het product direct voorzichtig uit en controleer de doos om te controleren of alle onderdelen in de verpakking zitten en in goede conditie zijn.

Claims





Als de doos of de inhoud (het product en meegeleverde accessoires) beschadigd zijn door de verzending of tekenen van ruwe behandeling vertonen, laat dit dan onmiddellijk weten aan de vervoerder en niet aan Chauvet. Als u dit niet tijdig doet, kan uw claim bij de vervoerder verlopen. Daarnaast moet u de verpakking en al het verpakkingsmateriaal bewaren voor inspectie.

Voor andere problemen, zoals missende componenten of onderdelen, schade die niet is veroorzaakt door de verzending, kunt u binnen 7 dagen na ontvangst een claim indienen bij Chauvet.

Tekstconventies

Conventie	Betekenis
1–512	Een reeks waarden
50/60	Een set waarden waarvan er slechts één gekozen kan worden
Settings	Een menuoptie die niet gewijzigd kan worden
<ENTER>	Een toets die op het bedieningspaneel van het product moet worden ingedrukt
ON	Een waarde die ingevuld of geselecteerd moet worden

Symbolen

Symbool	Betekenis
	Kritieke installatie-, configuratie- of bedieningsinformatie. Het negeren van deze informatie kan ervoor zorgen dat het product niet werkt, beschadigd raakt of leidt tot letsel van de gebruiker.
	Belangrijke installatie- of configuratie-informatie. Als deze informatie niet wordt gebruikt kan het product niet correct functioneren.
	Nuttige informatie.
	Veiligheidsinformatie voor de laser.

Disclaimer

Chauvet gelooft dat de informatie in deze handleiding in alle aspecten accuraat is. Chauvet aanvaardt echter geen verantwoordelijkheid en wijst alle aansprakelijkheid af jegens enige partij voor enig verlies, schade of storingen die worden veroorzaakt door fouten of omissies in dit document, ongeacht of dergelijke fouten of omissies het gevolg zijn van nalatigheid, een ongeval of enige andere oorzaak. Chauvet behoudt zich het recht voor om de inhoud van dit document te wijzigen zonder enige verplichting om enig persoon of bedrijf van een dergelijke herziening te op de hoogte te stellen. Chauvet is echter niet verplicht dergelijke herzieningen te maken. Download de nieuwste versie van www.chauvetdj.com.

FCC-naleving

Dit apparaat voldoet aan Part 15 Part B van de FCC-regels. Het gebruik is onderworpen aan de volgende twee voorwaarden:

1. Dit apparaat mag geen schadelijke interferentie veroorzaken, en
2. Dit apparaat moet enige ontvangen interferentie accepteren, inclusief interferentie die een ongewenste werking kan veroorzaken.

Eventuele wijzigingen of aanpassingen die niet uitdrukkelijk door de voor naleving verantwoordelijke partij zijn goedgekeurd, kan de bevoegdheid van de gebruiker om de apparatuur te bedienen ongeldig verklaren.

Intellectueel eigendom

De auteursrechtelijk beschermde werken in deze handleiding, waaronder, maar niet beperkt tot, alle ontwerpen, teksten en afbeeldingen, zijn eigendom van Chauvet.

© Copyright 2023 Chauvet & Sons, LLC. Alle rechten voorbehouden.

Elektronisch uitgegeven door Chauvet in de Verenigde Staten van Amerika.

CHAUVET, het Chauvet-logo en GigBAR MOVE + ILS zijn geregistreerde handelsmerken of handelsmerken van Chauvet & Sons LLC (d/b/a Chauvet en Chauvet Lighting) in de Verenigde Staten en andere landen. Hierin genoemde andere bedrijfs- en productnamen en logo's kunnen handelsmerken zijn van hun betreffende bedrijven.

Veiligheidsinstructies

De Veiligheidsinstructies bevatten belangrijke veiligheidsinformatie met betrekking tot het lasersysteem. Zorg dat u alle instructies hebt gelezen en begrepen voordat u de laser voor de eerste keer inschakelt. Het kennen van deze veiligheidsinstructies is cruciaal voor het vermijden van oogletsel door de laser en het overtreden van de wet. Bewaar deze gebruikershandleiding voor toekomstige naslag op een veilige plek.



STOP EN LEES EERST ALLE GEGEVENS LASERVEILIGHEIDS



- Lasers kunnen gevaarlijk zijn en hebben unieke veiligheidsvoorschriften. Als lasers onjuist worden gebruikt kan dit leiden tot permanent oogletsel en blindheid. Let goed op elke veiligheidsKENMERK en elke WAARSCHUWING in deze gebruikershandleiding. Lees VOORDAT u het apparaat gebruik zorgvuldig alle instructies.
- Sluit het product altijd aan op een geaard circuit om elektrocutierisico's uit te sluiten.
- Ontkoppel het product vóór het schoonmaken altijd eerst van de voedingsbron.
- Vermijd directe blootstelling van het oog aan de lichtbron als het product in werking is.
- Zorg ervoor dat het stroomsnoer niet knikt of beschadigd.
- Koppel het product nooit los van het stopcontact door aan het snoer te trekken of te rukken.
- Als het product boven het hoofd wordt geplaatst, moet u het altijd met een veiligheidskabel vastmaken aan een bevestigingsmiddel.
- Controleer dat er tijdens gebruik geen ontvlambare materialen dichtbij het product staan.
- Raak de behuizing van het product tijdens gebruik niet aan, omdat het zeer warm kan worden.



- Dit product is niet bedoeld voor permanente installatie.
- Controleer altijd of de spanning van het stopcontact waar u het product op aansluit binnen het bereik is dat staat vermeld op de sticker of het achterpaneel van het product.
- Het product is alleen geschikt voor gebruik binnenshuis! (IP20) Om het risico op brand en schokken te vermijden mag u het product niet blootstellen aan regen of vocht.
- Installeer het product op een locatie met voldoende ventilatie, op ten minste 50 cm afstand van aangrenzende oppervlakken.
- Zorg ervoor dat de ventilatiesleuven op de behuizing van het product nooit geblokkeerd worden.
- Sluit het product nooit aan op een dimmer.
- Vervang de zekering met een van hetzelfde type en met dezelfde waarde.
- Gebruik altijd de bevestigingsbeugel om het product te dragen.
- Schakel het product niet kort na elkaar aan/uit. Dit verlaagt de levensduur van de laserdiode.
- Schud het product niet door elkaar. Vermijd brute kracht bij het monteren of gebruiken van dit product.
- Gebruik ALTIJD een veiligheidskabel bij het boven het hoofd plaatsen van het product.
- De omgevingstemperatuur bedrijfstemperatuur voor de laser 59 °F tot 95 °F (15 °C tot 35 °C). Gebruik dit product niet buiten dit bereik.
- Stop direct met het gebruik van het product in geval van ernstige gebruiksproblemen.



LET OP! Het gebruik van bedieningselementen, wijzigingen of procedures anders dan DIE zijn gespecificeerd IN DEZE GEBRUIKERSHANDLEIDING, kan leiden tot blootstelling aan gevaarlijke straling.



- Vermijd direct oogcontact met het laserlicht. Nooit uw ogen of die van anderen opzettelijk blootstellen aan direct laserlicht.
- Dit laserproduct kan mogelijk direct oogletsel of blindheid veroorzaken als het laserlicht direct op de ogen valt.
- Het is illegaal en gevaarlijk om deze laser direct in publieksgebieden te schijnen, waar het publiek of ander personeel directe laserstralen of heldere reflecties in hun ogen kunnen krijgen.
- In de VS is het een misdrijf om een laser op een vliegtuig te richten.
- Het gebruik van bedieningselementen, wijzigingen of procedures anders dan die zijn gespecificeerd in deze gebruikershandleiding, kan leiden tot blootstelling aan gevaarlijke straling.
- Sluit om onnodige slijtage te verhinderen en de levensduur te verlengen tijdens periodes van niet-gebruik het product via stroomonderbreker of de stekker volledig van stroom af.
- Probeer het product NOOIT zelf te repareren. Reparaties en onderhoud moeten worden uitgevoerd door een bevoegd monteur. Onbevoegde aanpassingen aan het product zijn om veiligheidsredenen verboden!



Bewaar deze gebruikershandleiding voor toekomstige naslag. Wanneer het product eigendom wordt van een andere gebruiker, moet dit document bij de laser worden bewaard.

Niet-bevestigde waarschuwing op de behuizing



- Dit apparaat bevat intern laserapparaten met hoog vermogen.
- Maak de laserbehuizing niet open, door mogelijke blootstelling aan onveilige laserstralingsniveaus.
- Het vermogen van de laser, dat toegankelijk is als het apparaat is geopend, kan directe blindheid, brandwonden en branden veroorzaken.

Veiligheidsinstructies voor de laser



STOP EN LEES ALLE HIERONDER INSTRUCTIES LASERVEILIGHEIDS



Laserlicht verschilt van elk ander licht. Laserlicht kan oogletsel veroorzaken als het product niet goed is ingesteld en niet goed wordt gebruikt. Laserlicht is duizend maal geconcentreerder dan elk ander soort licht. Deze concentratie kan door het verbranden van het netvlies direct oogletsel veroorzaken (het lichtgevoelige deel aan de achterzijde van het oog). De warmte van laserlicht is niet voelbaar, maar het is voldoende om gebruikers van het product en het publiek te verwonden of te verblinden. Zelfs zeer kleine hoeveelheden laserlicht kunnen op grote afstand nog gevaarlijk zijn.

Neem **NOOIT** aan dat blootstelling aan een individueel laserlicht veilig is, zelfs niet een kleine straal die is afgesplitst van een grotere straal. Dit laserproduct gebruikt tientallen milliwatt aan laser vermogen —Klasse 3B-niveaus intern—en verdeelt ze in eerdere stralen—Klasse 3R-niveaus. De individuele bundels van Klasse 3R-niveau zijn mogelijk gevaarlijk voor de ogen.

Neem **NOOIT** aan dat bewegend laserlicht veilig is. Laserlicht is nooit zonder risico. Aangezien er op elk moment oogletsel kan ontstaan, is het van kritiek belang om de kans op ELKE directe blootstelling van het oog te vermijden. In overeenstemming met veiligheidsvoorschriften voor lasers, is het niet legaal om lasers van Klasse 3R te richten op gebieden waar mensen blootgesteld kunnen worden, zelfs als de laser onder het gezicht van mensen is gericht, zoals op een dansvloer.

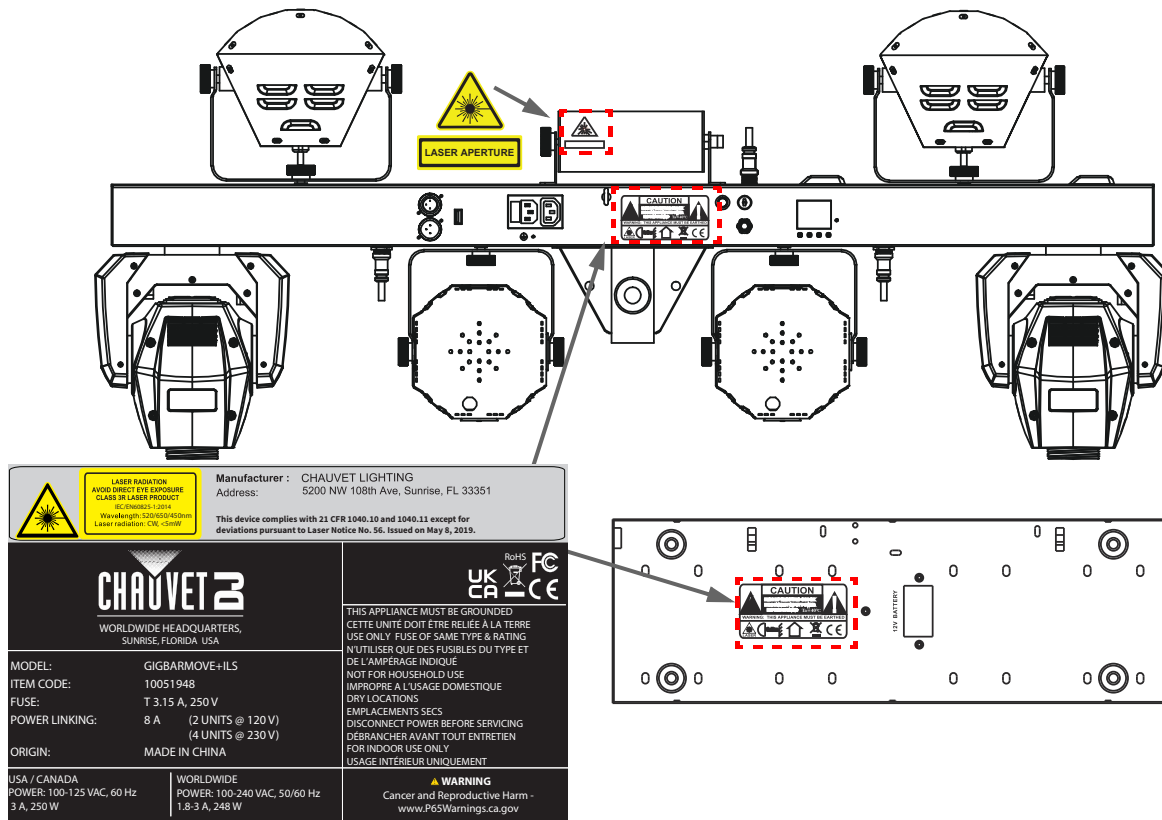


- Gebruik de laser niet zonder eerst alle veiligheidsinformatie en technische gegevens in deze handleiding gelezen en begrepen te hebben.
- Alle lasereffecten moeten ALTIJD worden opgesteld en geplaatst zodat het laserlicht ten minste 3 meter boven de vloer is waar mensen op staan. Zie de paragraaf [Correct gebruik](#) van deze handleiding.
- Na instelling, en voor openbaar gebruik, moeten de lasers getest worden om te controleren of ze goed functioneren. Dit product niet gebruiken als er een storing is gedetecteerd.
- De laser NIET gebruiken als het slechts een of twee bundels emitteert, in plaats van tientallen/honderden, aangezien dit aangeeft dat er schade is aan het optische element van het diffractierooster en emissie van laserniveaus hoger dan Klasse 3R mogelijk maakt.
- Richt lasers NOOIT op mens of dier.
- Kijk NOOIT direct in de laseropening of laserstraal.
- Richt lasers NOOIT op gebieden waar mensen er aan kunnen worden blootgesteld.
- Richt lasers NOOIT op sterk reflecterende oppervlakken, zoals ramen, spiegels en glimmend metaal. Zelfs laserreflecties kunnen gevaarlijk zijn.
- Richt een laser nooit op een vliegtuig; dat is een misdrijf.
- Richt nooit oneindige laserstralen op de open lucht.
- Stel de optische uitgangselementen (opening) niet bloot aan agressieve chemische schoonmaakmiddelen.
- De laser niet gebruiken als de behuizing is beschadigd, open is, of als de optische onderdelen op wat voor wijze dan ook beschadigd lijken.
- De behuizing van de laser nooit openen. Het hoge vermogen van de laser binnen de beschermende behuizing kan brand veroorzaken of de huid verbranden en zal leiden tot direct oogletsel.
- Laat dit product nooit onbemand draaien.
- Het gebruik van een lasershow van Klasse 3R is alleen toegestaan als de lasers worden gebruikt door een geschoolde en goed getrainde professional die bekend is met de gegevens die zijn opgenomen in deze handleiding.
- De wettelijke vereisten voor het gebruik van laserproducten voor amusement verschillen van land tot land. De gebruiker is zelf verantwoordelijk voor de wettelijke vereisten in de locatie/het land van gebruik.



LET OP! Gebruik dit apparaat niet op een andere wijze dan is vermeld in deze gebruikershandleiding. Het niet volgen van de instructies zal de garantie doen vervallen, kan het product beschadigen of de gebruiker of het publiek verwonden.
LET OP! Dit product mag niet worden afgevoerd met het huishoudelijk afval. Neem contact op met uw plaatselijke afvalbeheerdienst voor regelgeving met betrekking tot elektronisch afval in uw gebied.

Reproductie van veiligheidsetiket voor de laser



Blootstellingswaarschuwing van de laser



VERMIJD DIRECTE BLOOTSTELLING AAN LASERLICHT

Verdere richtlijnen en veiligheidsprogramma's voor het veilige gebruik van lasers zijn te vinden in de ANSI Z136.1 Standaard "voor het veilige gebruik van lasers", beschikbaar bij het Laser Institute of America: www.lia.org. M Vele plaatselijke overheden, bedrijven, agentschappen, legers en andere instanties vereisen allemaal dat lasers worden gebruikt onder de richtlijnen van ANSI Z136.1. De richtlijn voor laservertoning kan worden verkregen via de International Laser Display Association: www.ilda.com.

Emissiegegevens van de laser

Zoals gemeten onder IEC-metomstandigheden voor classificatie.

Laserclassificatie	Klasse 3R
Rode lasermedium	LD GaAIs, 650 nm/80 mW
Groene lasermedium	LD GaAIs, 520 nm/30 mW
Blauwe lasermedium	LD GaAIs, 450 nm/80 mW
Diameter van de straal	<5 mm bij de opening
Pulsgegevens	Alle pulsen < 4 Hz (>0,25 sec)
Divergentie (elke straal)	<2 mrad
Divergentie (totale licht)	<160 graden
Laservermogen van elke straal vanaf de opening	<5 mW

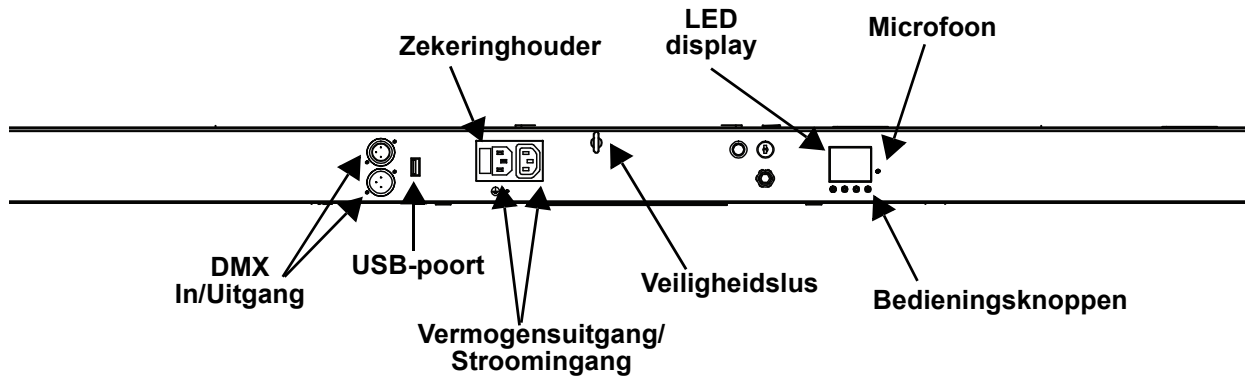
Nalevingsverklaring van de laser

Dit laserproduct voldoet aan EN/IEC 60825-1 Ed 2, 2007-03, en U.S. FDA/CDRH FLPPS via de voorwaarden van Laser Notice nr. 56 gedateerd op 8 mei 2019. Dit laserapparaat is geclassificeerd als 3R. (Klasse 3R is het internationale equivalent is van U.S. Class IIIa.) Er is geen onderhoud nodig om dit product in overeenstemming te houden van de laserprestatienormen.

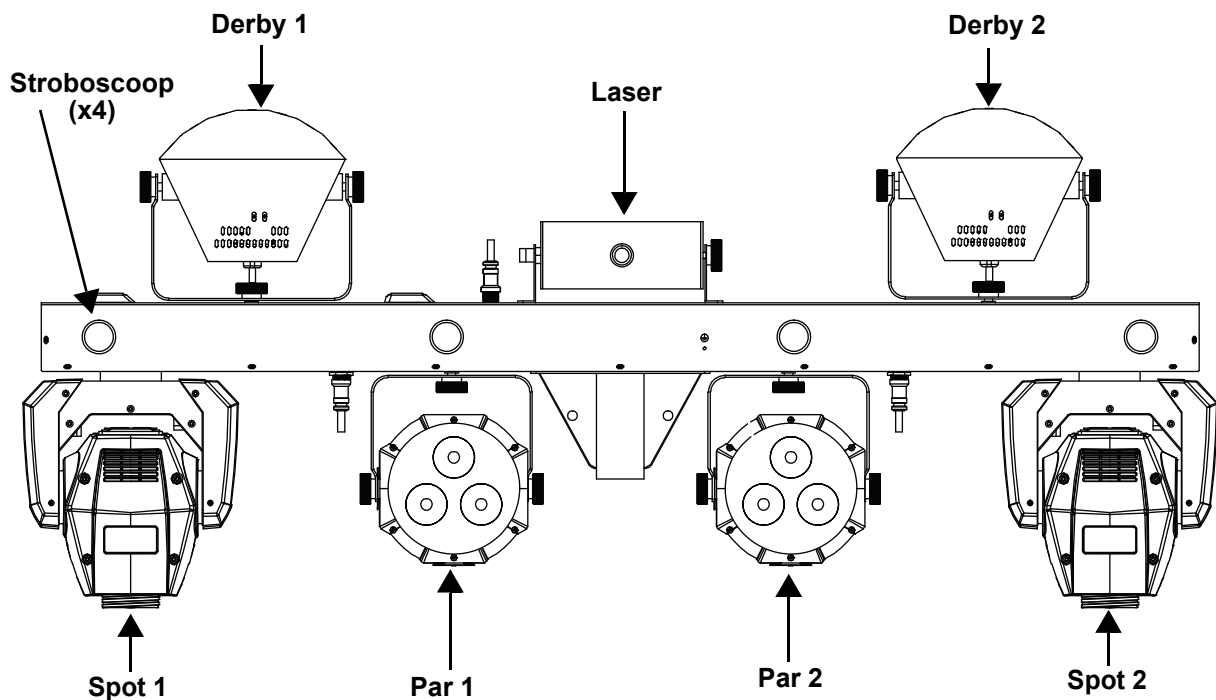
2. Inleiding

Productoverzicht

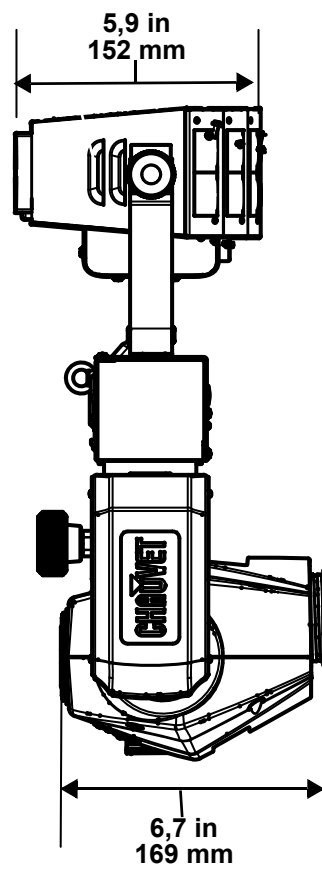
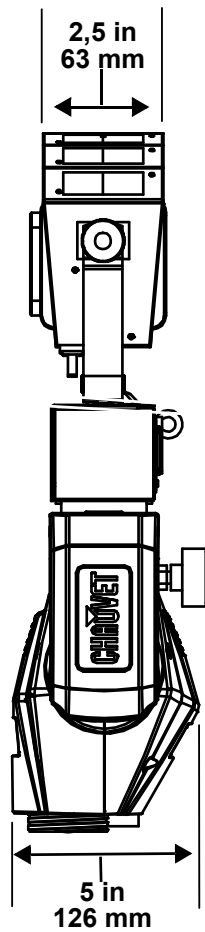
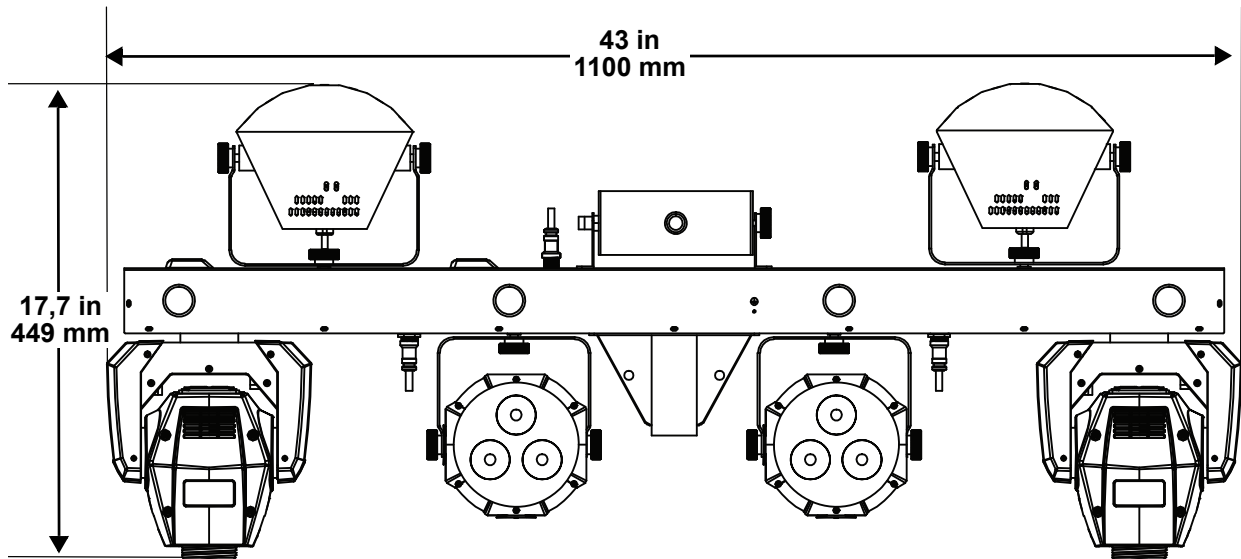
Achterpaneel Aanzicht



Voorpaneel Aanzicht



Productafmetingen



3. Instelling

AC-stroom

De GigBAR MOVE + ILS heeft een voeding met automatisch bereik, die kan werken met een ingangsspanning van 100 tot 240 VAC, 50/60 Hz. Om de vermogensvereisten te bepalen van het product (aardlekschakelaar, stopcontact en bedrading), moet de huidige waarde worden gebruikt die staat vermeld op het etiket dat is bevestigd aan het achterpaneel van het product of moet [Technische Specificaties](#) in deze handleiding geraadpleegd worden. Het gemelde spanningsvermogen geeft het gemiddelde stroomverbruik aan onder normale omstandigheden.



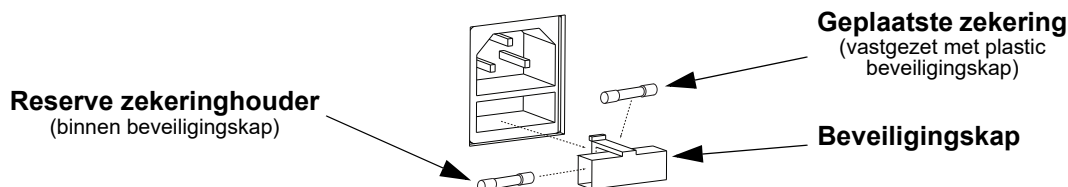
- **Sluit het product altijd aan op een beschermd circuit (aardlekschakelaar of zekering). Zorg ervoor dat het product voldoende elektrisch is geaard om het risico op elektrocutie of brand te vermijden.**
- **Sluit om onnodige slijtage te verhinderen en de levensduur te verlengen tijdens periodes van niet-gebruik het product via stroomonderbreker of de stekker volledig van stroom af.**



Sluit het product nooit aan op een reostaat (variabele weerstand) of dimmercircuit, zelfs als het reostaat- of dimmerkanaal alleen dient als een 0 tot 100%-schakelaar dient.

Vervangen van de zekering

1. Ontkoppel het apparaat van de stroom.
2. Wig de punt van een platte schroevendraaier in de sleuf van de zekeringhouder.
3. Druk de zekeringhouder uit de behuizing.
4. Haal de doorgebrande zekering uit de houder en vervangen met een zekering van hetzelfde type en met dezelfde waarde.
5. Plaats de zekeringhouder terug en steek de stekker er weer in.



Ontkoppel het product van de stroom uit voordat u de zekering vervangt.

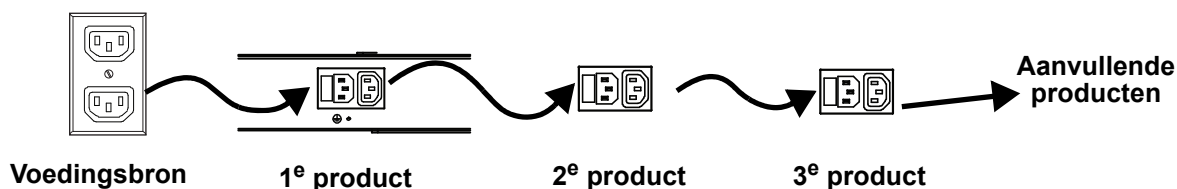


Vervang de zekering met een van hetzelfde type en met dezelfde waarde.

Power Linking

Het product levert power linking via de Edison uitlaat gelegen aan de achterkant van het product. Zie het onderstaande diagram voor verdere uitleg.

Power Linking Diagram



Bij 120 V kunnen tot 2 GigBAR MOVE + ILS-producten gekoppeld worden met power link, en bij 230 V kunnen tot 4 GigBAR MOVE + ILS-producten met power link gekoppeld worden.

ILS Aansluiting

ILS (geïntegreerd verlichtingssysteem) biedt 4 modi die synchroniseren met de GigBAR MOVE + ILS: Modi 1 en 3 synchroniseren met zijde 1 van de GigBAR MOVE+ILS, terwijl modi 2 en 4 synchroniseren met zijde 2 van de GigBAR MOVE + ILS. Wanneer ze gekoppeld zijn, worden de effecten gesynchroniseerd met het meest vergelijkbare effect aan de geselecteerde zijde van de GigBAR MOVE + ILS: Kinta-effecten worden gesynchroniseerd met een van de kinta's, bewegende koppen worden gesynchroniseerd met een van de bewegende koppen en wash-effecten worden gesynchroniseerd met een van de pars. Lasereffecten worden gesynchroniseerd met de laser en stroboscoopeffecten worden gesynchroniseerd met de stroboscoopeffecten, ongeacht de ILS-modus.

Montage

Vóór montage van het product moet u de veiligheidsaanbevelingen lezen en volgen die zijn aangegeven in de [Veiligheidsinstructies](#).

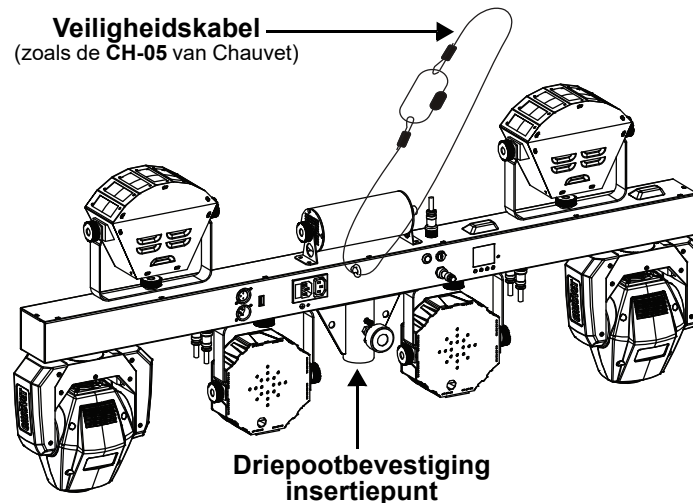
Oriëntatie

De GigBAR MOVE + ILS-producten moeten worden gemonteerd in een positie volgens de planning voor veilig lasergebruik. Daarnaast moet er in voldoende ventilatie rond het product zijn voorzien.

Opbouw

- Vóór het nemen van een besluit over de locatie van het product, moet u er altijd voor zorgen dat er eenvoudige toegang is tot het product, voor onderhoud en programmering.
- Controleer of de constructie of het oppervlak waar u het product op monteert het gewicht van het product kan dragen (zie [Technische Specificaties](#)).
- Gebruik altijd een veiligheidskabel wanneer het product boven lichaamshoogte wordt gemonteerd (zoals CH-05 van Chauvet). Monteer het product stevig aan een bevestigingspunt, zoals een verhoogd platform of een spant.
- Bij het opbouwen van het product op een spant, moet u een montageklem gebruiken met voldoende draagvermogen. De beugel heeft een gat van 13 mm, die geschikt is voor dit doeleinde.
- De verstelknoppen van de beugel zorgen voor directionele verstelling bij het richten van het product naar de gewenste hoek. Maak de beugelknoppen alleen met de hand los of vast. Het gebruik van gereedschap kan de knoppen beschadigen.

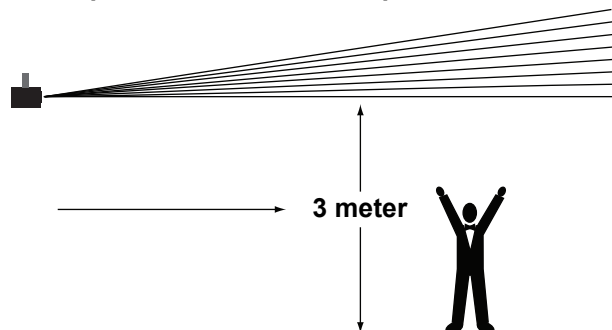
Montagediagram



Correct gebruik

Dit product is alleen geschikt voor gebruik boven lichaamshoogte. Voor veiligheidsdoeleinden raadt Chauvet aan om lichteffectproducten te bevestigen aan stabiele verhoogde platformen of stevige overhangende steunen, met geschikte hangklemmen. Gebruik in alle gevallen veiligheidskabels. Haal geschikte bevestigingsapparatuur bij uw verlichtingsleverancier.

Internationale regelgeving omtrent veiligheid rond lasers, vereist dat laserproducten moeten worden bediend op de wijze die hieronder is geïllustreerd, met minimaal 3 meter verticale scheiding tussen de vloer en het laagste laserlicht. Daarnaast is 3 meter horizontale scheiding vereist tussen laserlicht en het publiek of ruimtes met publiek.



LET OP! Het gebruik van bedieningselementen, wijzigingen of procedures anders dan DIE zijn gespecificeerd IN DEZE GEBRUIKERSHANDLEIDING, kan leiden tot blootstelling aan gevaarlijke straling.

4. Werking

Dit product is niet ontworpen voor onafgebroken gebruik. Zorg dat er regelmatige pauzes zijn tijdens het gebruik, om de levensduur van uw laser te maximaliseren. Ontkoppel de GigBAR MOVE + ILS altijd van de stroom als het niet in gebruik is.

Werking van het bedieningspaneel

Voor toegang tot de functies van het bedieningspaneel gebruikt u de vier knoppen onder het display. Raadpleeg het [Productoverzicht](#) om de locaties van de toetsen op het bedieningspaneel te zien.

Toet	Functie
<MENU>	Selecteert een bedieningsmodus of verlaat de huidige menu-optie
<UP>	Drukken om omhoog te bladeren in de optielijst of een hogere waarde te vinden
<DOWN>	Drukken om omlaag te bladeren in de optielijst of een lagere waarde te vinden
<ENTER>	Drukken om een menu-optie of een geselecteerde waarde te vinden

Menu Map

Raadpleeg de productpagina van GigBAR MOVE + ILS op www.chauvetdj.com voor de nieuwste menukaart.

Modus	Programmeerniveaus	Beschrijving	
AUTO	Mix	1–4	Selecteert de show met automatisch gemengd effect
	Spots	1	Selecteert de automatische Spots show
	Strobe	1	Selecteert de automatische stroboscoopshows
	Laser	1	Selecteert de automatische lasershow
	Derby	1	Selecteert de automatische derbyshow
	Par	1	Selecteert de automatische Par-show
	S+SP	1	Selecteert de stroboscoop- en Spots show
	L+SP	1	Selecteert de laser- en Spots show
	LS	1	Selecteert de laser- en stroboscoopshow
	D+SP	1	Selecteert de Derby- en Spots show
	DS	1	Selecteert de Derby- en automatische stroboscoopshow
	DL	1	Selecteert de Derby- en automatische lasershow
	P+SP	1	Selecteert de Par- en Spots show
	PS	1	Selecteert de Par- en stroboscoopshow
	PL	1	Selecteert de Par- en automatische lasershow
	PD	1	Selecteert de Par- en automatische Derby-show
	PS+SP	1	Selecteert de Par-, stroboscoop- en Spots show
	PL+SP	1	Selecteert de Par-, laser- en Spots show
	PLS	1	Selecteert de Par-, laser- en stroboscoopshow
	PD+SP	1	Selecteert de Par-, Derby- en Spots show
	PDS	1	Selecteert de Par-, Derby- en stroboscoop
	PDL	1	Selecteert de Par-, Derby- en lasershow
	DLS+SP	1	Selecteert de Derby-, laser-, stroboscoop- en Spots show
	PLS+SP	1	Selecteert de Par-, laser-, stroboscoop- en Spots show
	PDS+SP	1	Selecteert de Par-, Derby-, stroboscoop- en Spots show
	PDL+SP	1	Selecteert de Par-, Derby-, laser- en Spots show
	PDLS	1	Selecteert de Par-, Derby-, laser- en stroboscoopshow
	Mode	Snap/Fade	Selecteert de overgang tussen automatische programma's
Speed	0–99	Stelt de snelheid van automatische programma's in	
Spots XY Speed	0–99	Instellen van de pan- en tilt-snelheid van de Spots	
Dimmer	0–255	Instellen van de dimmer	
Strobe	0–20	Selecteert du stroboscoop	
Program Time	1–255 (seconds)	Stelt de programmatijd in	
Pars Color	Tri	Het automatische programma gebruikt alleen de rode, groene en blauwe kleuren	
	Quad	Het automatische programma gebruikt alleen de rode, groene, blauwe en oranje kleuren	
	Hex	Het automatische programma gebruikt alle kleuren	

Modus	Programmeerniveaus		Beschrijving	
SOUND	Program	Mix	1-4	Selecteert de show met automatisch gemengd effect
		Spots	1	Selecteert de automatische Spots show
		Strobe	1	Selecteert de automatische stroboscoopshows
		Laser	1	Selecteert de automatische lasershow
		Derby	1	Selecteert de automatische derbyshow
		Par	1	Selecteert de automatische Par-show
		S+SP	1	Selecteert de stroboscoop- en Spots show
		L+SP	1	Selecteert de laser- en Spots show
		LS	1	Selecteert de laser- en stroboscoopshow
		D+SP	1	Selecteert de Derby- en Spots show
		DS	1	Selecteert de Derby- en automatische stroboscoopshow
		DL	1	Selecteert de Derby- en automatische lasershow
		P+SP	1	Selecteert de Par- en Spots show
		PS	1	Selecteert de Par- en stroboscoopshow
		PL	1	Selecteert de Par- en automatische lasershow
		PD	1	Selecteert de Par- en automatische Derby-show
		PS+SP	1	Selecteert de Par-, stroboscoop- en Spots show
		PL+SP	1	Selecteert de Par-, laser- en Spots show
		PLS	1	Selecteert de Par-, laser- en stroboscoopshow
		PD+SP	1	Selecteert de Par-, Derby- en Spots show
	PDS	1	Selecteert de Par-, Derby- en stroboscoop	
	PDL	1	Selecteert de Par-, Derby- en lasershow	
	DLS+SP	1	Selecteert de Derby-, laser-, stroboscoop- en Spots show	
	PLS+SP	1	Selecteert de Par-, laser-, stroboscoop- en Spots show	
	PDS+SP	1	Selecteert de Par-, Derby-, stroboscoop- en Spots show	
	PDL+SP	1	Selecteert de Par-, Derby-, laser- en Spots show	
	PDLS	1	Selecteert de Par-, Derby-, laser- en stroboscoopshow	
	Sensitivity	0-99	Stelt de gevoeligheid in van de geluidsmodus	
	Spot Speed	0	Activeert geluidsactieve bewegende koppen	
		1-99	Handbediende snelheid, langzaam naar snel	
	Dimmer	0-255	Instellen van de dimmer	
	Strobe	0-20	Selecteert du stroboscoop	
	Program Time	1-255 (seconds)	Stelt de programmatijd in	
Sound Lost	Slow	De par, derby, laser en stroboscoop stoppen in de laatste instelling. De moving heads kleur/gobo stoppen in de laatste instelling en de beweging gaat langzaam.		
	Freeze	De hele balk blijft in de laatste instelling staan.		
	Blackout	De hele balk wordt verduisterd.		
Pars Color	Tri	Het automatische programma gebruikt alleen de rode, groene en blauwe kleuren		
	Quad	Het automatische programma gebruikt alleen de rode, groene, blauwe en oranje kleuren		
	Hex	Het automatische programma gebruikt alle kleuren		
Manual Mode	Par Red Par Green Par Blue Par Amber Par White Par UV	0-255	Selecteert de Par kleur	
	Derby Red Derby Green Derby Blue Derby White		Selecteert de Derby-kleur	

Modus	Programmeerniveaus		Beschrijving
Manual Mode	Derby Motor	0–255	Draait de LED met de klok mee of tegen de klok in
	Laser		Schakelt de laser handmatig in of uit
	Flash Dimmer		Instellen van de dimmer van de witte LED
	Pan		Instellen van de pan hoek
	Tilt		Kantelhoek instellen
	Color		Handmatig selecteren van de kleur
	Gobo		Handmatig selecteren van de gobo
	Dimmer Shutter		Instellen van de dimmer Verstellen van de sluiters
DMX	DMX	3CH	Selecteer het DMX-kanaal
		30CH	
		52CH	
	Address	001–510	Selecteert het DMX-startadres
Slave			Slave-modus
Setup	RF	COMMON	Maakt bediening van het armatuur mogelijk met elke RF-afstandsbediening
		BIND	Maakt bediening van de GigBAR MOVE + ILS mogelijk met alleen de RF-afstandsbediening die met het armatuur gekoppeld is
		OFF	Schakelt infrarood uit
	RF Binding		Koppelt een RF-afstandsbediening met een specifieke GigBAR MOVE + ILS-armatuur (Houd de toets Blackout ingedrukt op de RF-afstandsbediening)
	FOOT	COMMON	Maakt bediening van het armatuur mogelijk met behulp van een voetschakelaar
		BIND	Maakt bediening van de GigBAR MOVE + ILS mogelijk met alleen de voetschakelaar die met het armatuur gekoppeld is
		OFF	Schakelt bediening met de voetschakelaar uit
	FOOT Binding		Koppelt een voetschakelaar met een specifieke GigBAR MOVE + ILS-armatuur (Houd het pedaal Blackout ingedrukt op de voetschakelaar)
	DFI	OFF	Schakelt DFI uit
		RX	Schakelt de ontvangst van het DFI-sigitaal in/uit
		TX	Schakelt het zenden van het DFI-sigitaal in/uit
	DFI CH	1–16	Selecteert DFI-kanaal
	Pan1 Reverse	ON	In-/uitschakelen van Spot 1 pan reverse
		OFF	
	Tilt1 Reverse	ON	In-/uitschakelen Spot 1 tilt achteruit
		OFF	
Pan2 Reverse	ON	In-/uitschakelen van Spot 2 pan reverse	
	OFF		
Tilt2 Reverse	ON	In-/uitschakelen Spot 2 tilt achteruit	
	OFF		
RESET	NO	Herstellen naar de fabrieksstandaard	
	YES		



- De DMX-waarde wordt wit weergegeven als het DMX-sigitaal niet wordt ontvangen, en wordt geel bij ontvangst van het DMX-sigitaal.
- Als er 60 seconden lang geen actie wordt verricht, wordt de menuweergave uitgeschakeld.
- In de DMX-modus slaat de armatuur de laatste instellingen op van het moment waarop het DMX-sigitaal verloren werd. In de Master/Slave-modus verduistert hij als het DMX-sigitaal verloren wordt.

Configuratie (zelfstandig)

Plaats het product in een van de zelfstandige modi om te bedienen zonder een DMX-regelaar.



Sluit nooit een product, die in een zelfstandige modus werkt, aan op een DMX-rij die is verbonden aan een DMX-regelaar. Producten in zelfstandige modus kunnen DMX-signalen verzenden die de DMX-signalen van de regelaar verstoren.

Automatisch gemengd effect stand

Volg onderstaande instructies om de GigBAR MOVE + ILS in de automatische modus te laten lopen:

1. Druk op **<MENU>** om het hoofdmenu op het display weer te geven.
2. Gebruik **<UP>** of **<DOWN>** totdat **AUTO** is geselecteerd.
3. Druk op **<ENTER>**.
4. Gebruik **<UP>** of **<DOWN>** om **Program** te selecteren.
5. Druk op **<ENTER>**.
6. Gebruik **<UP>** of **<DOWN>** om te kiezen uit de Auto Program-opties: **Mix, Spots, Strobe, Laser, Derby, Par, S+SP, L+SP, LS, D+SP, DS, DL, P+SP, PS, PL, PD, PS+SP, PL+SP, PLS, PD+SP, PDS, PDL, DLS+SP, PLS+SP, PDS+SP, PDL+SP, of PDLS.**
7. Druk op **<ENTER>**.
8. Gebruik **<UP>** or **<DOWN>** om **Mode** te selecteren.
9. Druk op **<ENTER>**.
10. Gebruik **<UP>** of **<DOWN>** om te kiezen tussen **Snap** (snap-overgang tussen programma's) en **Fade** (fade-overgang tussen programma's).
11. Druk op **<ENTER>**.
12. Gebruik **<UP>** of **<DOWN>** om **Speed** te selecteren.
13. Druk op **<ENTER>**.
14. Gebruik **<UP>** of **<DOWN>** om de automatische programmasnelheid te verhogen of verlagen van **0-99**.
15. Druk op **<ENTER>**.

Geluidsactieve modus

Om de GigBAR MOVE + ILS in de geluidsactieve modus te laten lopen, doet u het volgende:

1. Druk op **<MENU>** om het hoofdmenu op het display weer te geven.
2. Gebruik **<UP>** of **<DOWN>** totdat **SOUND** is geselecteerd.
3. Druk op **<ENTER>**.
4. Gebruik **<UP>** of **<DOWN>** om **Program** te selecteren.
5. Druk op **<ENTER>**.
6. Gebruik **<UP>** of **<DOWN>** om te kiezen uit de Auto Program-opties: **Mix, Spots, Strobe, Laser, Derby, Par, S+SP, L+SP, LS, D+SP, DS, DL, P+SP, PS, PL, PD, PS+SP, PL+SP, PLS, PD+SP, PDS, PDL, DLS+SP, PLS+SP, PDS+SP, PDL+SP, of PDLS.**
7. Druk op **<ENTER>**.

Geluidsgevoeligheid

Volg de onderstaande instructies om de geluidsgevoeligheid van de GigBAR MOVE + ILS in te stellen.

1. Druk op **<MENU>** om het hoofdmenu op het display weer te geven.
2. Gebruik **<UP>** of **<DOWN>** totdat **SOUND** is geselecteerd.
3. Druk op **<ENTER>**.
4. Gebruik **<UP>** of **<DOWN>** om **Sensitivity** te selecteren.
5. Druk op **<ENTER>**.
6. Gebruik **<UP>** of **<DOWN>** om de automatische programmasnelheid te verhogen of verlagen van **0-99**.
7. Druk op **<ENTER>**.



- **Het product reageert alleen op lage frequenties van de muziek (lage bas en drums).**
- **De laser verduistert in de geluidsactieve modus na 3 seconden stilte of geluid onder de gevoeligheidsinstelling.**

Dimmer

Om de dimmer op de GigBAR MOVE + ILS in te stellen, doet u het volgende:

1. Druk op **<MENU>** om het hoofdmenu op het display weer te geven.
2. Gebruik **<UP>** of **<DOWN>** totdat **AUTO** of **SOUND** is geselecteerd.
3. Druk op **<ENTER>**.
4. Gebruik **<UP>** of **<DOWN>** om **Dimmer** te selecteren.
5. Druk op **<ENTER>**.
6. Gebruik **<UP>** of **<DOWN>** om de dimmer in te stellen van **0–255**.
7. Druk op **<ENTER>**.

Stroboscoop

Om de stroboscoop op de GigBAR MOVE + ILS in te stellen, volgt u de onderstaande instructies:

1. Druk op **<MENU>** om het hoofdmenu op het display weer te geven.
2. Gebruik **<UP>** of **<DOWN>** totdat **AUTO** of **SOUND** is geselecteerd.
3. Druk op **<ENTER>**.
4. Gebruik **<UP>** of **<DOWN>** om **Strobe** te selecteren.
5. Druk op **<ENTER>**.
6. Gebruik **<UP>** of **<DOWN>** om de stroboscoop in te stellen van **0–20**.
7. Druk op **<ENTER>**.

Programmatijd

Om de programmatijd op de GigBAR MOVE + ILS in te stellen, gaat u als volgt te werk:

1. Druk op **<MENU>** om het hoofdmenu op het display weer te geven.
2. Gebruik **<UP>** of **<DOWN>** totdat **AUTO** of **SOUND** is geselecteerd.
3. Druk op **<ENTER>**.
4. Gebruik **<UP>** of **<DOWN>** om **Program Time** te selecteren.
5. Druk op **<ENTER>**.
6. Gebruik **<UP>** of **<DOWN>** om de timer in te stellen van **0–255** (seconden).
7. Druk op **<ENTER>**.

Pars kleuren

Om in te stellen welke kleuren de pars zullen weergeven als het automatische programma wordt ingesteld, volgt u de onderstaande instructies:

1. Druk op **<MENU>** om het hoofdmenu op het display weer te geven.
2. Gebruik **<UP>** of **<DOWN>** totdat **AUTO** of **SOUND** is geselecteerd.
3. Druk op **<ENTER>**.
4. Gebruik **<UP>** of **<DOWN>** om **Pars Color** te selecteren.
5. Druk op **<ENTER>**.
6. Gebruik **<UP>** of **<DOWN>** om te kiezen tussen **Tri** (gebruik RGB), **Quad** (gebruik RGBA) of **Hex** (gebruik alle kleuren).
7. Druk op **<ENTER>**.

Spotsnelheid

Om de snelheid van de moving head handmatig te regelen in de Sound-Active modu op de GigBAR MOVE + ILS, doet u het volgende:

1. Druk op **<MENU>** om het hoofdmenu op het display weer te geven.
2. Gebruik **<UP>** of **<DOWN>** totdat **SOUND** is geselecteerd.
3. Druk op **<ENTER>**.
4. Gebruik **<UP>** of **<DOWN>** om **Spot Speed** te selecteren.
5. Druk op **<ENTER>**.
6. Gebruik **<UP>** of **<DOWN>** om de snelheid in te stellen van **0** (geluidsactief) of **1–99** (handbediende snelheid, langzaam naar snel).
7. Druk op **<ENTER>**.

Sound Lost

Om in te stellen wat de hele balk moet doen als het geluid verloren gaat, volgt u de onderstaande instructies:

1. Druk op **<MENU>** om het hoofdmenu op het display weer te geven.
2. Gebruik **<UP>** of **<DOWN>** totdat **SOUND** is geselecteerd.
3. Druk op **<ENTER>**.
4. Gebruik **<UP>** of **<DOWN>** om **Sound Lost** te selecteren.
5. Druk op **<ENTER>**.
6. Gebruik **<UP>** of **<DOWN>** om te kiezen tussen **Slow** (de par, derby, laser en stroboscoop stoppen in de laatste instelling. De moving heads kleur/gobo stoppen in de laatste instelling en de beweging gaat langzaam.), **Freeze** (de hele balk blijft in de laatste instelling staan) of **Blackout** (de hele balk wordt verduisterd).
7. Druk op **<ENTER>**.

Pannen omkeren

Om de panrichting in te stellen op de GigBAR MOVE + ILS, doet u het volgende:

1. Druk op **<MENU>** om het hoofdmenu op het display weer te geven.
2. Gebruik **<UP>** of **<DOWN>** totdat **SETUP** is geselecteerd.
3. Druk op **<ENTER>**.
4. Gebruik **<UP>** of **<DOWN>** om te kiezen tussen **Pan1 Reverse** (voor Spot 1) of **Pan2 Reverse** (voor Spot 2).
5. Druk op **<ENTER>**.
6. Gebruik **<UP>** of **<DOWN>** om **OFF** (normale panbeweging) of **ON** (omgekeerde panbeweging) te kiezen.
7. Druk op **<ENTER>**.

Kantelen omkeren

Om de kantelrichting in te stellen op de GigBAR MOVE + ILS, volgt u de onderstaande instructies:

1. Druk op **<MENU>** om het hoofdmenu op het display weer te geven.
2. Gebruik **<UP>** of **<DOWN>** totdat **SETUP** is geselecteerd.
3. Druk op **<ENTER>**.
4. Gebruik **<UP>** of **<DOWN>** om te kiezen tussen **Tilt1 Reverse** (voor Spot 1) of **Tilt1 Reverse** (voor Spot 2).
5. Druk op **<ENTER>**.
6. Gebruik **<UP>** of **<DOWN>** om **OFF** (normale kantelbeweging) of **ON** (omgekeerde kantelbeweging) te kiezen.
7. Druk op **<ENTER>**.

Panbereik

Om de maximale panhoek in te stellen op de GigBAR MOVE + ILS, doet u het volgende:

1. Druk op **<MENU>** om het hoofdmenu op het display weer te geven.
2. Gebruik **<UP>** of **<DOWN>** totdat **SETUP** is geselecteerd.
3. Druk op **<ENTER>**.
4. Gebruik **<UP>** of **<DOWN>** om **Pan Range** te selecteren.
5. Druk op **<ENTER>**.
6. Gebruik **<UP>** of **<DOWN>** om de panhoek in te stellen van **180** (180°), **360** (360°) of tot **540** (540°).
7. Druk op **<ENTER>**.

Kantelbereik

Om de maximale kantelhoek in te stellen op de GigBAR MOVE + ILS, volgt u de onderstaande instructies:

1. Druk op **<MENU>** om het hoofdmenu op het display weer te geven.
2. Gebruik **<UP>** of **<DOWN>** totdat **SETUP** is geselecteerd.
3. Druk op **<ENTER>**.
4. Gebruik **<UP>** of **<DOWN>** om **Tilt Range** te selecteren.
5. Druk op **<ENTER>**.
6. Gebruik **<UP>** of **<DOWN>** om de kantelhoek in te stellen van **90** (90°), **180** (180°) of tot **270** (270°).
7. Druk op **<ENTER>**.

Fabrieksinstellingen

Om bepaalde functies of het hele product te resetten , doet u het volgende:

1. Druk op **<MENU>** om het hoofdmenu op het display weer te geven.
2. Gebruik **<UP>** of **<DOWN>** totdat **SETUP** is geselecteerd.
3. Druk op **<ENTER>**.
4. Gebruik **<UP>** of **<DOWN>** om **RESET** te selecteren.
5. Druk op **<ENTER>**.
6. Gebruik **<UP>** of **<DOWN>** om **YES** (reset van de productconfiguratie) of **NO** (om te annuleren) te kiezen.
7. Druk op **<ENTER>**.

Configuratie (DMX)

De GigBAR MOVE + ILS werkt met een DMX-regelaar. Informatie over DMX staat in het DMX-basishandboek van CHAUVET, dat beschikbaar is op de website van Chauvet onder http://www.chauvetlighting.com/downloads/DMX_Primer_rev05_WO.pdf.

Startadres

Bij het selecteren van een startend DMX-adres, moet u altijd denken aan het aantal DMX-kanalen die de geselecteerde DMX-modus gebruikt. Als u een startadres gebruikt dat te hoog is, kunt u toegang aan enkele productkanalen beperken.

De GigBAR MOVE + ILS gebruikt tot 9 DMX-kanalen, wat bepaalt dat het hoogst configureerbare adres **461** is.

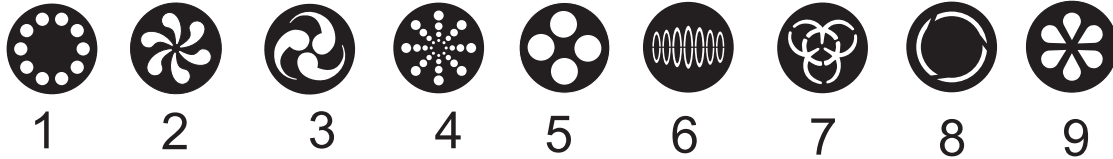
Als u niet bekend bent met het DMX-protocol, download dat de DMX-primer van www.chauvetdj.com.

Om het startadres te selecteren doet u het volgende:

1. Druk op **<MENU>** om het hoofdmenu op het display te bekijken.
2. Gebruik **<UP>** of **<DOWN>** totdat **DMX** is geselecteerd.
3. Druk op **<ENTER>**.
4. Druk opnieuw op **<ENTER>**.
5. Gebruik **<UP>** of **<DOWN>** om het DMX-kanaal te selecteren: **3CH**, **30CH** of **52CH**.
6. Druk op **<ENTER>**.
7. Gebruik **<UP>** of **<DOWN>** om **Address** te selecteren.
8. Druk op **<ENTER>**.
9. Gebruik **<UP>** of **<DOWN>** om het startadres te verhogen of te verlagen.
10. Druk op **<ENTER>**.

DMX-kanaaltoewijzingen en waarden

Gobos



52-kanaals

Kanaal	Functie	Waarde	Percentage/Instelling
1	Par 1-bediening	000 ⇔ 255	Par 1 rood, DIM
2		000 ⇔ 255	Par 1 groen, DIM
3		000 ⇔ 255	Par 1 blauw, DIM
4		000 ⇔ 255	Par 1 amber, DIM
5		000 ⇔ 255	Par 1 wit, DIM
6		000 ⇔ 255	Par 1 UV, DIM
7		000 ⇔ 250 251 ⇔ 255	Stroboscoopsnelheid, langzaam tot snel Stroboscoop naar geluid
8	Par 2-bediening	000 ⇔ 255	Par 2 rood, DIM
9		000 ⇔ 255	Par 2 groen, DIM
10		000 ⇔ 255	Par 2 blauw, DIM
11		000 ⇔ 255	Par 2 amber, DIM
12		000 ⇔ 255	Par 2 wit, DIM
13		000 ⇔ 255	Par 2 UV, DIM
14		000 ⇔ 250 251 ⇔ 255	Stroboscoopsnelheid, langzaam tot snel Stroboscoop naar geluid
15	Derby 1-bediening	000 ⇔ 255	Derby 1 rood
16		000 ⇔ 255	Derby 1 groen
17		000 ⇔ 255	Derby 1 blauw
18		000 ⇔ 255	Derby 1 wit
19		000 ⇔ 250 251 ⇔ 255	Stroboscoopsnelheid, langzaam tot snel Stroboscoop naar geluid
20		000	Geen functie
		001 ⇔ 127 128	Met de klok mee roteren, langzaam tot snel Geen functie
	129 ⇔ 255	Tegen de klok in roteren, langzaam tot snel	
21	Derby 2-bediening	000 ⇔ 255	Derby 2 rood
22		000 ⇔ 255	Derby 2 groen
23		000 ⇔ 255	Derby 2 blauw
24		000 ⇔ 255	Derby 2 wit
25		000 ⇔ 250 251 ⇔ 255	Stroboscoopsnelheid, langzaam tot snel Stroboscoop naar geluid
		000	Geen functie
26		001 ⇔ 127 128	Met de klok mee roteren, langzaam tot snel Geen functie
	129 ⇔ 255	Tegen de klok in roteren, langzaam tot snel	

Kanaal	Functie	Waarde	Percentage/Instelling
27	Flits	000 ⇔ 255	Wit-LED 1 dimmer
28		000 ⇔ 255	Wit-LED 2 dimmer
29		000 ⇔ 255	Wit-LED 3 dimmer
30		000 ⇔ 255	Wit-LED 4 dimmer
31		000 ⇔ 250 251 ⇔ 255	Stroboscoopsnelheid, langzaam tot snel Stroboscoop naar geluid
32	Laserbesturing	000 ⇔ 005	Verduistering
		006 ⇔ 041	Rood
		042 ⇔ 077	Groen
		078 ⇔ 113	Blauw
		114 ⇔ 149	Rood + groen
		150 ⇔ 185	Rood + blauw
		186 ⇔ 221	Groen + blauw
		222 ⇔ 255	Rood + groen + blauw
33		000 ⇔ 255	Stroboscoopsnelheid, langzaam tot snel
34		000	Geen functie
		001 ⇔ 127	Met de klok mee roteren, langzaam tot snel
		128	Geen functie
		129 ⇔ 255	Tegen de klok in roteren, langzaam tot snel
35	Spot 1 besturing	000 ⇔ 255	Pan
36		000 ⇔ 255	Fijne pan
37		000 ⇔ 255	Kantelen
38		000 ⇔ 255	Fijne kantelen
39		000 ⇔ 255	Pan/kantelsnelheid
40	Spot 1 kleurenwiel	000 ⇔ 006	Wit
		007 ⇔ 013	Rood
		014 ⇔ 020	Oranje
		021 ⇔ 027	Geel
		028 ⇔ 034	Groen
		035 ⇔ 041	Blauw
		042 ⇔ 048	CTO 400K
		049 ⇔ 055	Cyaan
		056 ⇔ 062	Magenta
		063 ⇔ 064	Lime groen
		065 ⇔ 189	Kleur index
		190 ⇔ 221	Kleur scrollen met de klok mee, snel tot langzaam
		222 ⇔ 223	Stop
		224 ⇔ 255	Kleur scrollen tegen de klok in, langzaam tot snel

Kanaal	Functie	Waarde	Percentage/Instelling
41	Spot 1 gobowiel (zie Gobos)	000 ⇔ 005	Open
		006 ⇔ 011	Gobo 1
		012 ⇔ 017	Gobo 2
		018 ⇔ 023	Gobo 3
		024 ⇔ 029	Gobo 4
		030 ⇔ 035	Gobo 5
		036 ⇔ 041	Gobo 6
		042 ⇔ 047	Gobo 7
		048 ⇔ 053	Gobo 8
		054 ⇔ 063	Gobo 9
		064 ⇔ 069	Gobo 9 schudden, langzaam tot snel
		070 ⇔ 075	Gobo 8 schudden, langzaam tot snel
		076 ⇔ 081	Gobo 7 schudden, langzaam tot snel
		082 ⇔ 087	Gobo 6 schudden, langzaam tot snel
		088 ⇔ 093	Gobo 5 schudden, langzaam tot snel
		094 ⇔ 099	Gobo 4 schudden, langzaam tot snel
		100 ⇔ 105	Gobo 3 schudden, langzaam tot snel
106 ⇔ 111	Gobo 2 schudden, langzaam tot snel		
112 ⇔ 117	Gobo 1 schudden, langzaam tot snel		
118 ⇔ 127	Open		
128 ⇔ 189	Scrollen met de klok mee, snel tot langzaam		
190 ⇔ 193	Stop		
194 ⇔ 255	Kleur scrollen tegen de klok in, snel tot langzaam		
42	Spot 1 dimmer	000 ⇔ 255	0–100%
43	Spot 1 stroboscoop	000 ⇔ 003	Sluiten
		004 ⇔ 007	Open
		008 ⇔ 076	Stroboscoop, langzaam tot snel
		077 ⇔ 145	Pulsstroboscoop, langzaam tot snel
		146 ⇔ 215	Willekeurige stroboscoop, langzaam tot snel
216 ⇔ 255	Open		
44	Spot 2 besturing	000 ⇔ 255	Pan
45		000 ⇔ 255	Fijne pan
46		000 ⇔ 255	Kantelen
47		000 ⇔ 255	Fijne kantelen
48		000 ⇔ 255	Pan/kantelsnelheid

Kanaal	Functie	Waarde	Percentage/Instelling
49	Spot 2 kleurenwiel	000 ⇔ 006	Wit
		007 ⇔ 013	Rood
		014 ⇔ 020	Oranje
		021 ⇔ 027	Geel
		028 ⇔ 034	Groen
		035 ⇔ 041	Blauw
		042 ⇔ 048	CTO 400K
		049 ⇔ 055	Cyaan
		056 ⇔ 062	Magenta
		063 ⇔ 064	Lime groen
		065 ⇔ 189	Kleur index
		190 ⇔ 221	Kleur scrollen met de klok mee, snel tot langzaam
		222 ⇔ 223	Stop
224 ⇔ 255	Kleur scrollen tegen de klok in, langzaam tot snel		
50	Spot 2 gobowiel (zie Gobos)	000 ⇔ 005	Open
		006 ⇔ 011	Gobo 1
		012 ⇔ 017	Gobo 2
		018 ⇔ 023	Gobo 3
		024 ⇔ 029	Gobo 4
		030 ⇔ 035	Gobo 5
		036 ⇔ 041	Gobo 6
		042 ⇔ 047	Gobo 7
		048 ⇔ 053	Gobo 8
		054 ⇔ 063	Gobo 9
		064 ⇔ 069	Gobo 9 schudden, langzaam tot snel
		070 ⇔ 075	Gobo 8 schudden, langzaam tot snel
		076 ⇔ 081	Gobo 7 schudden, langzaam tot snel
		082 ⇔ 087	Gobo 6 schudden, langzaam tot snel
		088 ⇔ 093	Gobo 5 schudden, langzaam tot snel
		094 ⇔ 099	Gobo 4 schudden, langzaam tot snel
		100 ⇔ 105	Gobo 3 schudden, langzaam tot snel
		106 ⇔ 111	Gobo 2 schudden, langzaam tot snel
		112 ⇔ 117	Gobo 1 schudden, langzaam tot snel
118 ⇔ 127	Open		
128 ⇔ 189	Scrollen met de klok mee, snel tot langzaam		
190 ⇔ 193	Stop		
194 ⇔ 255	Kleur scrollen tegen de klok in, snel tot langzaam		
51	Spot 2 dimmer	000 ⇔ 255	0–100%
52	Spot 2 stroboscoop	000 ⇔ 003	Sluiten
		004 ⇔ 007	Open
		008 ⇔ 076	Stroboscoop, langzaam tot snel
		077 ⇔ 145	Pulsstroboscoop, langzaam tot snel
		146 ⇔ 215	Willekeurige stroboscoop, langzaam tot snel
		216 ⇔ 255	Open

30-kanaals

Kanaal	Functie	Waarde	Percentage/Instelling
1	Par-bediening	000 ⇔ 255	Par 1 rood, DIM
2		000 ⇔ 255	Par 1 groen, DIM
3		000 ⇔ 255	Par 1 blauw, DIM
4		000 ⇔ 255	Par 1 amber, DIM
5		000 ⇔ 255	Par 1 wit, DIM
6		000 ⇔ 255	Par 1 UV, DIM
7		000 ⇔ 250	Stroboscoopsnelheid, langzaam tot snel
		251 ⇔ 255	Stroboscoop naar geluid
8	Derby-bediening	000 ⇔ 255	Derby 1 rood
9		000 ⇔ 255	Derby 1 groen
10		000 ⇔ 255	Derby 1 blauw
11		000 ⇔ 255	Derby 1 wit
12		000 ⇔ 250	Stroboscoopsnelheid, langzaam tot snel
		251 ⇔ 255	Stroboscoop naar geluid
13		000	Geen functie
	001 ⇔ 127	Met de klok mee roteren, langzaam tot snel	
	128	Geen functie	
	129 ⇔ 255	Tegen de klok in roteren, langzaam tot snel	
14	Flits	000 ⇔ 255	Wit-LED 1 dimmer
15		000 ⇔ 255	Wit-LED 2 dimmer
16		000 ⇔ 255	Wit-LED 3 dimmer
17		000 ⇔ 255	Wit-LED 4 dimmer
18		000 ⇔ 250	Stroboscoopsnelheid, langzaam tot snel
		251 ⇔ 255	Stroboscoop naar geluid
19	Laserbesturing	000 ⇔ 005	Verduistering
		006 ⇔ 041	Rood
		042 ⇔ 077	Groen
		078 ⇔ 113	Blauw
		114 ⇔ 149	Rood + groen
		150 ⇔ 185	Rood + blauw
		186 ⇔ 221	Groen + blauw
		222 ⇔ 255	Rood + groen + blauw
20	000 ⇔ 255	Stroboscoopsnelheid, langzaam tot snel	
21	000	Geen functie	
	001 ⇔ 127	Met de klok mee roteren, langzaam tot snel	
	128	Geen functie	
	129 ⇔ 255	Tegen de klok in roteren, langzaam tot snel	
22	Spot besturing	000 ⇔ 255	Pan
23		000 ⇔ 255	Fijne pan
24		000 ⇔ 255	Kantelen
25		000 ⇔ 255	Fijne kantelen
26		000 ⇔ 255	Pan/kantelsnelheid

Kanaal	Functie	Waarde	Percentage/Instelling
27	Spot kleurenwiel	000 ⇔ 006	Wit
		007 ⇔ 013	Rood
		014 ⇔ 020	Oranje
		021 ⇔ 027	Geel
		028 ⇔ 034	Groen
		035 ⇔ 041	Blauw
		042 ⇔ 048	CTO 400K
		049 ⇔ 055	Cyaan
		056 ⇔ 062	Magenta
		063 ⇔ 064	Lime groen
		065 ⇔ 189	Kleur index
		190 ⇔ 221	Kleur scrollen met de klok mee, snel tot langzaam
		222 ⇔ 223	Stop
224 ⇔ 255	Kleur scrollen tegen de klok in, langzaam tot snel		
28	Spot gobowiel (zie Gobos)	000 ⇔ 005	Open
		006 ⇔ 011	Gobo 1
		012 ⇔ 017	Gobo 2
		018 ⇔ 023	Gobo 3
		024 ⇔ 029	Gobo 4
		030 ⇔ 035	Gobo 5
		036 ⇔ 041	Gobo 6
		042 ⇔ 047	Gobo 7
		048 ⇔ 053	Gobo 8
		054 ⇔ 063	Gobo 9
		064 ⇔ 069	Gobo 9 schudden, langzaam tot snel
		070 ⇔ 075	Gobo 8 schudden, langzaam tot snel
		076 ⇔ 081	Gobo 7 schudden, langzaam tot snel
		082 ⇔ 087	Gobo 6 schudden, langzaam tot snel
		088 ⇔ 093	Gobo 5 schudden, langzaam tot snel
		094 ⇔ 099	Gobo 4 schudden, langzaam tot snel
		100 ⇔ 105	Gobo 3 schudden, langzaam tot snel
		106 ⇔ 111	Gobo 2 schudden, langzaam tot snel
		112 ⇔ 117	Gobo 1 schudden, langzaam tot snel
118 ⇔ 127	Open		
128 ⇔ 189	Scrollen met de klok mee, snel tot langzaam		
190 ⇔ 193	Stop		
194 ⇔ 255	Kleur scrollen tegen de klok in, snel tot langzaam		
29	Spot dimmer	000 ⇔ 255	0–100%
30	Spot stroboscoop	000 ⇔ 003	Sluiten
		004 ⇔ 007	Open
		008 ⇔ 076	Stroboscoop, langzaam tot snel
		077 ⇔ 145	Pulsstroboscoop, langzaam tot snel
		146 ⇔ 215	Willekeurige stroboscoop, langzaam tot snel
		216 ⇔ 255	Open

3-kanaals

Kanaal	Functie	Waarde	Percentage/Instelling
1	Werking	000 ⇔ 005	Verduistering
		006 ⇔ 013	Mix 1
		014 ⇔ 022	Mix 2
		023 ⇔ 031	Mix 3
		032 ⇔ 040	Mix 4
		041 ⇔ 049	Par's + Derby's + laser + stroboscopen
		050 ⇔ 058	Par's + Derby's + laser + Spots
		059 ⇔ 067	Par's + Derby's + stroboscopen + Spots
		068 ⇔ 076	Par's + laser + stroboscopen + Spots
		077 ⇔ 085	Derby's + laser + stroboscopen + Spots
		086 ⇔ 094	Par's + Derby's + laser
		095 ⇔ 103	Par's + Derby's + stroboscopen
		104 ⇔ 112	Par's + Derby's + Spots
		113 ⇔ 121	Par's + laser + stroboscopen
		122 ⇔ 130	Par's + laser + Spots
		131 ⇔ 139	Par's + stroboscopen + Spots
		140 ⇔ 147	Par's en Derby's
		148 ⇔ 155	Par's en laser
		156 ⇔ 163	Par's en stroboscopen
		164 ⇔ 171	Par's en Spots
		172 ⇔ 179	Derby's en laser
		180 ⇔ 187	Derby's en stroboscopen
		188 ⇔ 195	Derby's en Spots
		196 ⇔ 203	Laser en stroboscopen
		204 ⇔ 211	Laser en Spots
		212 ⇔ 219	Stroboscopen en Spots
		220 ⇔ 227	ALLEEN Par's aan
		228 ⇔ 235	ALLEEN Derby's aan
		236 ⇔ 243	ALLEEN laser aan
		244 ⇔ 251	ALLEEN stroboscopen aan
		252 ⇔ 255	ALLEEN Spots aan
		2	Snelheid
250 ⇔ 255	Snelheid, langzaam tot snel (stelt geluidsprogramma in op CH1)		
3	Spot XY snelheid	000 ⇔ 255	Spots XY snelheid, langzaam tot snel

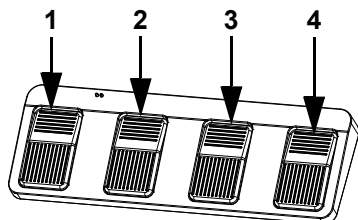


Wanneer de waarde van CH2 tussen 000-127 is, staat CH1 in de Auto mode. Als de waarde van CH2 tussen 128-255 is, staat CH1 in Sound mode.

Bediening van de voetschakelaar

De meegeleverde draadloze voetschakelaar biedt snelle toegang tot vooringestelde kleuren, kleurwisselingsprogramma's en geluidsactivering door de microfoon van GigBAR MOVE + ILS.

Om de voetschakelaar te gebruiken:



1. Sluit de GigBAR MOVE + ILS aan op de stroom.
2. Druk op **<MENU>** op de GigBAR MOVE totdat **SYS** op het display verschijnt en druk op **<ENTER>**.
3. Gebruik **<UP>** of **<DOWN>** om **FOOT** te selecteren en druk op **<ENTER>**.
4. Gebruik **<UP>** of **<DOWN>** om **ON** te selecteren en druk vervolgens op **<ENTER>**.
5. Gebruik de onderstaande tabel om de gewenste functie te activeren.

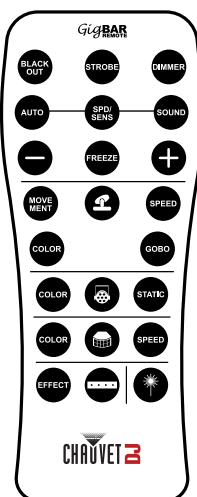
Pedal	Action	Functions
1 (Auto)	Tik op het pedaal om te activeren en tik daarna om te navigeren naar de gewenste functie	Automatische programma
2 (Geluid)	Houd ingedrukt	Geluidsactieve programma
3 (Kleur)	Tik	Doorloopt kleuren (ALLEEN Pars en Derby's)
4 (Verduistering)	Tik	Verduistering aan of uit



De GigBAR MOVE + ILS-voetschakelaar werkt goed in elke modus, met een maximale ongehinderde afstand van 30,5 m. U moet ir op de GigBAR MOVE + ILS inschakelen, Kies een kanaal, en navigeer naar de Auto-modus voordat u de voetschakelaar gebruikt.

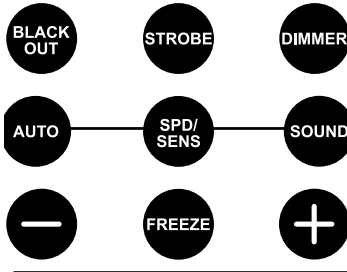
GigBAR RF afstandsbediening

De GigBAR MOVE + ILS kan bediend worden met de GigBAR RF afstandsbediening. Volg de onderstaande instructies om draadloze RF-besturing mogelijk te maken:



1. Sluit de GigBAR MOVE + ILS aan op de stroom.
2. Druk op **<MENU>** op de GigBAR MOVE totdat **SETUP** op het display verschijnt.
3. Druk op **<ENTER>**.
4. Gebruik **<UP>** of **<DOWN>** om **RF** te selecteren.
5. Druk op **<ENTER>**.
6. Gebruik **<OMHOOG>** of **<OMLAAG>** om **COMMON** (gezamenlijk) (om een GigBAR MOVE + ILS met een RF-afstandsbediening te verbinden) of **BIND** (koppelen) (om een RF-afstandsbediening met een specifieke GigBAR MOVE + ILS-armatuur te koppelen).
7. Gebruik de onderstaande tabel om de gewenste functie te activeren.

GigBAR RF-afstandsbediening



Verduisteren

Om de lasers te verduisteren met de RF-afstandsbediening:

- Druk op **<BLACK OUT>** op de RF-afstandsbediening.

Dit schakelt de lasers uit totdat de knop opnieuw wordt ingedrukt.

LET OP: Wanneer Black Out (verduistering) is geactiveerd zal de RF-afstandsbediening niet op invoeren reageren. Als het product niet reageert wanneer een knop wordt ingedrukt, probeer dan op **<BLACK OUT>** te drukken. Mogelijk is Black Out geactiveerd.

Stroboscoop

Om de stroboscoop in handmatige modus te activeren met de RF-afstandsbediening:

1. Houd **<STROBE>** ingedrukt op de RF-afstandsbediening.
2. Druk op **<+>** of **<->** om de stroboscoop aan te passen.

Dimmer

Om de dimmer aan te passen met behulp van de RF-afstandsbediening:

1. Houd **<DIMMER>** ingedrukt op de RF-afstandsbediening.
2. Druk op **<+>** of **<->** om de helderheid aan te passen.

Automatische Modus

De automatische modus zorgt ervoor dat u de automatische programma's op het product kunt uitvoeren.

Om de Automatische modus in te schakelen met de RF-afstandsbediening:

1. Houd **<AUTO>** ingedrukt op de RF-afstandsbediening.
2. Druk op **<+>** of **<->** om tussen de verschillende automatische programma's te kiezen.

Snelheid

Om de snelheid van het automatische programma/spot aan te passen.

1. Druk op **<SPD>** op de RF-afstandsbediening.
2. Druk op **<+>** of **<->** om de programmasnelheid te verhogen of te verlagen.

Geluidsactieve modus

Om de geluidsactieve modus in te schakelen met de RF-afstandsbediening:

1. Houd **<SOUND>** ingedrukt op de RF-afstandsbediening.
2. Druk op **<+>** of **<->** om een geluidsactief programma te selecteren.

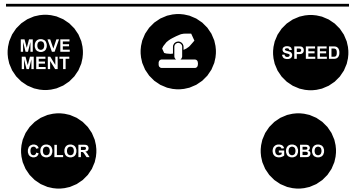
Om de geluidsgevoeligheid aan te passen:

1. Druk op **<SENS>** op de RF-afstandsbediening.
2. Druk op **<+>** of **<->** om de gevoeligheid te verhogen of te verlagen.

Pauzeren

Om een automatisch programma te pauzeren met de RF-afstandsbediening:

1. Druk op **<FREEZE>** op de RF-afstandsbediening.



Spots-programma

Om een programma voor de Spots te selecteren met een RF-afstandsbediening:

1. Druk op het Spot-pictogram op de RF-afstandsbediening.
2. Druk op **<MOVE MENT>** op de RF-afstandsbediening.
3. Druk op **<+>** of **<->** om het bewegingsprogramma te wijzigen.

Spots XY-snelheid

Om de zwenk-/kantelsnelheid van de Spots aan te passen met behulp van een RF-afstandsbediening:

1. Druk op het Spot-pictogram op de RF-afstandsbediening.
2. Druk op **<SPEED>** op de RF-afstandsbediening.
3. Druk **<+>** of **<->** om de zwenk-/kantelsnelheid te verhogen of te verlagen.

Kleur Spots

Om een kleur voor de Spots te selecteren met een RF-afstandsbediening:

1. Druk op het Spot-pictogram op de RF-afstandsbediening.
2. Druk op **<COLOR>** op de RF-afstandsbediening.
3. Druk op **<+>** of **<->** om door het kleurenwiel te bladeren.

Spots Gobo

Om een gobo voor de Spots te selecteren met een RF-afstandsbediening:

1. Druk op het Spot-pictogram op de RF-afstandsbediening.
2. Druk op **<GOBO>** op de RF-afstandsbediening.
3. Druk op **<+>** of **<->** om door het gobowiel te bladeren.



Par-programma

Om een programma voor de Pars te selecteren met een RF-afstandsbediening:

1. Druk op het Par-pictogram op de RF-afstandsbediening.
2. Druk op **<COLOR>** op de RF-afstandsbediening.
3. Druk op **<+>** of **<->** om door de kleurprogramma's te bladeren.

Par-kleur

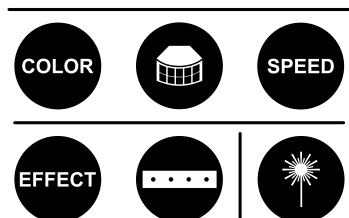
Om een statische voor de Pars te selecteren met een RF-afstandsbediening:

1. Druk op het Par-pictogram op de RF-afstandsbediening.
2. Druk op **<STATIC>** op de RF-afstandsbediening.
3. Druk op **<+>** of **<->** om door de statische kleuren te bladeren.

Derby-programma

Om een programma voor de Derby te selecteren met een RF-afstandsbediening:

1. Druk op het Derby-pictogram op de RF-afstandsbediening.
2. Druk op **<COLOR>** op de RF-afstandsbediening.
3. Druk op **<+>** of **<->** om door de kleuren te bladeren.



Derbysnelheid

Om de rotatiesnelheid van de Derby aan te passen met behulp van een RF-afstandsbediening:

1. Druk op het Derby-pictogram op de RF-afstandsbediening.
2. Druk op **<SPEED>** op de RF-afstandsbediening.
3. Druk **<+>** of **<->** om de rotatiesnelheid te verhogen of te verlagen.

Laser

Om de laser in en uit te schakelen met een RF-afstandsbediening:

1. Druk op het Laser-pictogram op de RF-afstandsbediening.

Stroboscoopprogramma

Om een programma voor de stroboscoop te selecteren met een RF-afstandsbediening:

1. Druk op het Strobe-pictogram op de RF-afstandsbediening.
2. Druk op **<EFFECT>** op de RF-afstandsbediening.
3. Druk op **<+>** of **<->** om door de effecten te bladeren.

Master/Slave-modus

De Master/Slave-modus zorgt ervoor dat een enkel GigBAR MOVE + ILS-product (de “master”) de acties regelt van een of meer GigBAR MOVE + ILS-producten (de “slaves”) zonder de behoefte aan een DMX-regelaar. Het masterproduct wordt ingesteld voor gebruik in zelfstandige modus, terwijl de slaveproducten worden ingesteld voor gebruik in Slave-modus. Na instelling en aansluiting zullen de slaveproducten in harmonie met het masterproduct werken.

Configureer de producten zoals hieronder is aangegeven.

Slaveproducten:

1. Druk herhaaldelijk op **<MENU>** totdat **SETUP** op het display wordt weergegeven, druk vervolgens op **<ENTER>**.
2. Gebruik **<OMHOOG>** of **<OMLAAG>** voor het selecteren van **DFI**, druk vervolgens op **<ENTER>**.
3. Gebruik **<OMHOOG>** of **<OMLAAG>** voor het selecteren van **RX**, druk vervolgens op **<ENTER>**.
4. Gebruik **<OMHOOG>** of **<OMLAAG>** voor het selecteren van het ontvangende D-Fi-kanaal, van **1–16**.
5. Druk op **<ENTER>**.
6. Druk herhaaldelijk op **<MENU>** totdat **SLAVE** op het display wordt weergegeven, druk vervolgens op **<ENTER>**.
7. Voltooi het instellen en aansluiten van alle slaveproducten.

Masterproduct:

1. Druk herhaaldelijk op **<MENU>** totdat **SETUP** op het display wordt weergegeven, druk vervolgens op **<ENTER>**.
2. Gebruik **<OMHOOG>** of **<OMLAAG>** voor het selecteren van **DFI**, druk vervolgens op **<ENTER>**.
3. Gebruik **<OMHOOG>** of **<OMLAAG>** voor het selecteren van **TX**, druk vervolgens op **<ENTER>**.
4. Gebruik **<OMHOOG>** of **<OMLAAG>** voor het selecteren van het uitzendende D-Fi-kanaal, van **1–16**.
5. Druk op **<ENTER>**.
 - **Zorg ervoor dat de slaveproducten op hetzelfde D-Fi-kanaal als het masterproduct geconfigureerd zijn.**
 - **Sluit nooit een DMX-controller aan op een DMX-rij die is geconfigureerd voor Master/ Slave functie, omdat de regelaar de signalen van de master kan verstoren.**
 - **De display op de slaves zal blijven knipperen totdat de slaves een DMX-signaal ontvangen van de master.**



5. Onderhoud

Productonderhoud

De ophoping van stof verlaagt de lichtemissieprestaties en kan oververhitting veroorzaken. Dit kan leiden tot een lagere levensduur en/of mechanische slijtage van de lichtbron. Om optimale prestaties te behouden en slijtage te minimaliseren moeten uw verlichtingsproducten ten minste tweemaal per maand gereinigd worden. Let er echter op dat het gebruik en omgevingsomstandigheden ook factoren zijn voor het verhogen van de schoonmaakfrequentie.

Volg onderstaande instructies om het product te reinigen:

1. Haal het apparaat van de stroom.
2. Wacht totdat het product op kamertemperatuur is.
3. Gebruik een stofzuiger (of droge perslucht) en een zachte borstel om opgehoopt stof van de externe oppervlakken en ventilatiegaten te verwijderen.
4. Reinig alle transparante oppervlakken met een milde zeepoplossing, ammoniumvrije glasreiniger of isopropylalcohol.
5. Pas de schoonmaakoplossing direct toe op een zachte, pluisvrije katoenen doek of een brillendoekje.
6. Veeg vuil of roet voorzichtig naar de buitenrand van het transparante oppervlak.
7. Poets de transparante oppervlakken voorzichtig totdat het vrij is van waas en pluisjes.



Droog de transparante oppervlakken altijd zorgvuldig na het reinigen.

6. Technische Specificaties

Afmetingen en gewicht

Lengte	Breedte	Hoogte	Gewicht
1100 mm (43 in)	144 mm (5,7 in)	449 mm (17,7 in)	14 kg (31 lb)

Let op: Afmetingen in inches zijn afgerond.

Vermogen

Ingangsspanning	Bereik	Spanningsselectie
Schakeling (intern)	100–240 VAC, 50/60 Hz	Automatisch wisselend bereik
Parameter	120 V, 60 Hz	230 V, 50 Hz
Verbruik	250 W	79 W
Bedrijfstrom	3 A	0.6 A
Power linking stroomsterkte (producten)	8 A (2 products)	8 A (4 products)
Zekering	T 3,15 A, 250 V	T 3,15 A, 250 V
Stroom I/O	VS/wereldwijd	VK/Europa
Stroomingangsstekker	IEC	IEC
Stroomuitgangsstekker	Edison	IEC
Stroomsnoerstekker	Edison (VS)	Lokale stekker

Lightbron (Laser)

Type	Vermogen	Golflengte
Laser (rood)	100 mW	650 nm
Laser (groen)	30 mW	520 nm
Laser (blauw)	100 mW	450 nm

Lightbron (Derby)

Type	Kleur	Aantal	Vermogen	Stroomsterkte	Levensduur
LED	RGBW	8	6,5 W	2 A	50.000 uur

Lightbron (Pars)

Type	Kleur	Aantal	Vermogen	Stroomsterkte	Levensduur
LED	RGBAW + UV	3	6 W	2 A	50.000 uur

Lightbron (Stroboscoop)

Type	Kleur	Aantal	Vermogen	Stroomsterkte	Levensduur
LED	Koel wit	4	5 W	1,2 A	50.000 uur

Lightbron (Bewegend juk)

Type	Kleur	Aantal	Vermogen	Stroomsterkte	Levensduur
LED	Koel wit	1	32 W	3 A	50.000 uur

Photometrics

Dekkingsbereik (Derby)	Dekkingsbereik (Laser)	Veldstralingshoek (Pars)	Veldstralingshoek (stroboscoop)
131°	93°	33°	62°
Stralingshoek (Bewegend juk)	Stralingshoek (Pars)	Stralingshoek (Stroboscoop)	
17°	22°	30°	
Verlichting @ 2 m (Pars)	Verlichting @ 2 m (Bewegend juk)	Verlichting @ 2 m (Stroboscoop)	
1205 lux (per kop)	5140 lux (per kop)	130 lux (per zone)	
Pan en kantel	Stroboscoop-frequentie		
540° / 180°	0–30 Hz		

Thermaal

Laser minimum externe temp.	Laser maximale externe temp.	Koelsysteem
15 °C (59 °F)	35 °C (95 °F)	Convectie

DMX

I/O-stekker	Kanaalbereik
3-pin XLR	3, 30, of 52

Bestellen

Productnaam	Artikelcode (EU)	UPC-code (EU)
GigBAR MOVE + ILS	10051948	781462222963



Neem contact Op

Algemene Informatie	Technische support
Chauvet wereldwijde hoofdkwartier	
Adres: 5200 NW 108th Ave. Sunrise, FL 33351 Bandopname: (954) 577-4455 Fax: (954) 929-5560 Tolvrij: (800) 762-1084	Bandopname: (844) 393-7575 Fax: (954) 756-8015 E-mail: chauvetcs@chauvetlighting.com Website: www.chauvetdj.com
Chauvet U.K.	
Adres: Unit 1C Brookhill Road Industrial Estate Pinxton, Nottingham, UK NG16 6NT Bandopname: +44 (0) 1773 511115 Fax: +44 (0) 1773 511110	E-mail: UKtech@chauvetlighting.eu Website: www.chauvetdj.eu
Chauvet Benelux	
Adres: Stokstraat 18 9770 Kruishoutem Belgium Bandopname: +32 9 388 93 97	E-mail: BNLtech@chauvetlighting.eu Website: www.chauvetdj.eu
Chauvet France	
Adres: 3, Rue Ampère 91380 Chilly-Mazarin France Bandopname: +33 1 78 85 33 59	E-mail: FRtech@chauvetlighting.fr Website: www.chauvetdj.eu
Chauvet Germany	
Adres: Bruno-Bürgel-Str. 11 28759 Bremen Germany Bandopname: +49 421 62 60 20	E-mail: DEtech@chauvetlighting.de Website: www.chauvetdj.eu
Chauvet Mexico	
Adres: Av. de las Partidas 34 - 3B (Ingang door Calle 2) Zona Industrial Lerma Lerma, Edo. de México, CP 52000 Bandopname: +52 (728) 690-2010	E-mail: servicio@chauvet.com.mx Website: www.chauvetdj.mx

Garantie & Retouren

Voor garantie registratie en volledige voorwaarden, bezoek de Chauvet website.

Voor klanten in het Verenigd Koninkrijk, Ierland, België, Nederland, Luxemburg, Frankrijk en Duitsland: www.chauvetlighting.eu/warranty-registration.