

Anakonda-KAN200

Flexible array element speaker



DESCRIPTION

Like every K-array product, the Anakonda-KAN200 is a revolutionary speaker module that before its existence, was unimaginable. It is designed as a problem solver for situations where a traditional speaker box can't be used but where good intelligibility, ultra-reliability and a sleek design are required. The Anakonda is the perfect fit for any distributed sound application. Its dedicated presets work on a wide frequency range and can be used as an audio system

in combination with K-array subwoofers. Its lightness and flexibility help it to be easily integrated in existing structures. One Anakonda is 2m in length and can be extended with up to a maximum of 16 elements on one line, which creates a 32m line of continuous sound. Each module is equipped with two Speakon NL4 connectors and are completely integrated in the "body" of the speaker. Once they are connected, they are hidden in the shape of the line.

Each Anakonda is provided with 2 fabric socks, one black and one white, which can be used to cover and protect the speaker from foreign objects like dust, and also give the possibility to change colors to match its surroundings. Wall brackets are included in the package to make the installation as easy and as fast as possible. All the components of the Anakonda are designed by the K-array R&D department and made in Italy under the K-array quality control system.

COLORS & PREMIUM FINISHES AVAILABLE



Black



1 Black / 1 White Sleeve Included

SUGGESTED ACCESSORIES

K-ANLINK



FEATURES



Weather Resistant



Visually Discreet



Lightweight



Pure Array Technology (PAT)

FREQUENT APPLICATIONS

THEATERS & CONCERT HALLS

STADIUMS & SPORT VENUES

EVENT PRODUCTIONS

RETAIL

TRANSPORTATION FACILITIES

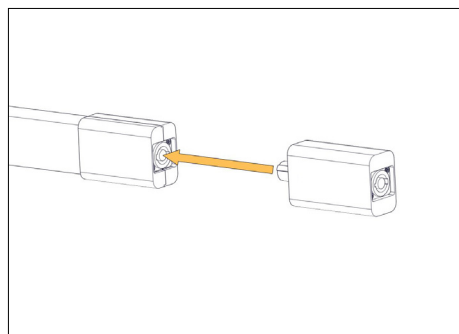
BROADCAST & STUDIOS

THEME PARKS

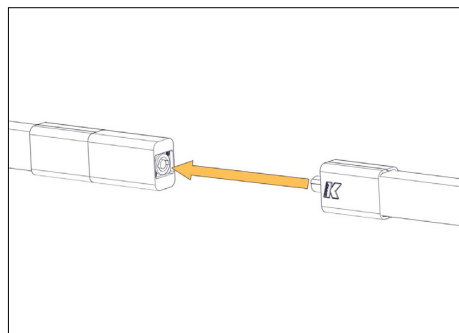
MUSEUMS

TECHNICAL SPECIFICATIONS

ACOUSTICS	
Power handling	150W ^(AES)
Max Power	300 W ⁽¹⁾
Impedance	64 Ohm
Frequency range	150 Hz – 18 kHz +/-6dB ⁽²⁾
SPL 1W/1mt	86 dB ⁽³⁾
Maximum SPL	96 dB (cont.) – 102 dB (peak) ⁽⁴⁾
COVERAGE	
Horizontal	160°
Vertical	10°
CROSSOVER	
Type	External Crossover Required
Frequency	150 Hz 24dB/oct suggested minimum
TRANSDUCERS	
Type	8 x 1" Neodymium cone driver with 0.75" voice coil
POWER AUDIO IN/OUT	
Connectors	2 x 4-pin Speakon (1 female, 1 male)
Wiring	1+ 1- (signal IN & LINK) 2+ 2- (Through)
RECOMMENEND AMPLIFIERS	
Type	KMT12, KMT18, KA84
CERTIFICATION	
IP	55
PHYSICAL OVERVIEW	
Dimensions	207.0 x 5.6 x 3.53 cm (81.49" x 2.2" x 1.4") ⁽⁵⁾
Weight	1.4 Kg (3.1 lb)
<p>1. Maximum RMS applicable power for a musical signal. The reference signal is the one proposed by EIAJ standard;</p> <p>2. With dedicated preset;</p> <p>3. Mesured @8 m, then scaled @1 m;</p> <p>4. Mesured with musical signal;</p> <p>5. (W x H x D).</p> <p>New materials and design are introduced into existing products without previous notice. Present systems may differ in some respects from those presented in this catalogue.</p>	



Anakonda-KAN200 +
K-ANLINK



Anakonda-KAN200 +
K-ANLINK

