

**Description**




The Pinnacle systems are the perfect combination of slim and sleek column loudspeakers with compact and powerful subwoofers.

The Pinnacle-KR102I is composed by a self powered Thunder-KS1 subwoofer, driving both the Kobra-KK102I on its top and a separate passive column system composed by one Thunder-KS2P subwoofers and one Kobra-KK102I.

The self powered Thunder-KS1 subwoofer with DSP is designed to be the core device in the sound reinforcement system: the dedicated K-array Connect mobile app provides an user friendly interface for remote control the DSP parameters and boost the system performance.

Resulting in a lightweight, flexible and elegant portable systems, the fine integration of the Kobra-KK102I line array loudspeakers with the compact and powerful Thunder-KS1 12" subwoofers deliver pristine sound in any application like lounge parties, private events, restaurants & cafes, yachts, and houses of worship.

- Stereo pair composed of a Thunder-KS1 or KS1P 12" subwoofer + one Kobra-KK102I line array loudspeakers per side.
- Flexible and expandible solution.
- K-array Connect mobile app for easy wireless access to the DSP features.
- DSP onboard with:
  - Channel Grouping: group controls over multiple channels;
  - Input EQ: 3 bands fully parametric equalizer;
  - Output EQ: 8 bands fully parametric selectable filters: Peaking, High-Shelf, Low-Shelf, High-Pass, Low-Pass, HP-Butterworth, LP-Butterworth
  - Dynamic limiters;
  - Signal routing: freely assignable input-to-output signal path with level adjustment
  - Channel delay up to 230ms;
- Accessories available for suspended and fixed installations.

Top features	Frequent Applications		Accessories	Colors
Dedicated Mobile App	Event Productions	Theaters	K-FLY3 Flybar for suspended installations	Black 
Easy integration	Restaurants & Cafes	Residential	K-WALL2 Wall bracket with ball and socket joint (advanced model)	White 
Maximum connectivity	Houses of Worship	Yachting		Custom RAL (on demand) 

Technical Specifications

### Thunder-KS1 I

General	
Type	Active subwoofer
Transducers	12" neodymium magnet woofer
Frequency Response <sup>1</sup>	35 Hz – 150/450 Hz (-6 dB) crossover dependant
Crossover	DSP-controlled, Low Pass @ 150 Hz up to 450 Hz, preset dependant
Max SPL <sup>2</sup>	134 dB peak
Coverage	Omni
Connectors	Line Input 2x XLR-F analog balanced / AES3 input Line Output 2x XLR-M Link analog balanced / AES3 output Speaker Output 2x SpeakON NL4 (Ch1 1+/1- // Ch2 2+/2-) Mains powerCON TRUE1 TOP, 16 A true mains Networking and Data 1x RJ45 4x USB-A
DSP	Input gain, routing matrix, delay, full parametric IIR filters (Peaking, Shelving, Hi/Lo pass, Hi/Lo Butterworth), Onboard preset, Remote monitoring
Remote control	Wi-Fi dedicated APP K-framework3 via wired Ethernet connection
Amplifier module	4-channel switching mode, Class D
Output power <sup>3</sup>	4x 1500 W @ 4 Ω
MAINS Operating Range	100-240V AC, 50-60 Hz with PFC
Power Consumption	600 W @ 8 Ω load, Pink noise, 1/4 rated power
Protections	Over Temp. (Power Limiting – Thermal Shutdown), Short Circuit/Overload Output Protection, Power Limiting, Clip Limiter/Permanent Signal Limiter, High Frequency Protection

### Thunder-KS1P I

General	
Type	Passive subwoofer
Transducers	12" neodymium magnet woofer
Frequency Response <sup>1</sup>	35 Hz – 150/450 Hz (-6 dB) crossover dependant
Max SPL <sup>2</sup>	134 dB peak
Rated Power	1200 W peak
Coverage	Omni
Connectors	Speaker input/parallel output 2x SpeakON NL4 Input terminals selectable: IN+Link 1+/1- (parallel), Link 2+/2- Link 1+/1- , IN+Link 2+/2- (DEFAULT)
Impedance	8 Ω

Handling & Finishes	
IP Rating	IP54
Dimensions (WxHxD)	500 x 350 x 440 mm (19.7 x 13.8 x 17.3 in)
Weight	18 kg (39.7 lb)

<sup>1</sup> Extensible with dedicated preset according to the midrange crossover point.  
<sup>2</sup> Maximum SPL is calculated using a signal with crest factor 4 (12dB) measured at 1 m.

### Kobra-KK102 I

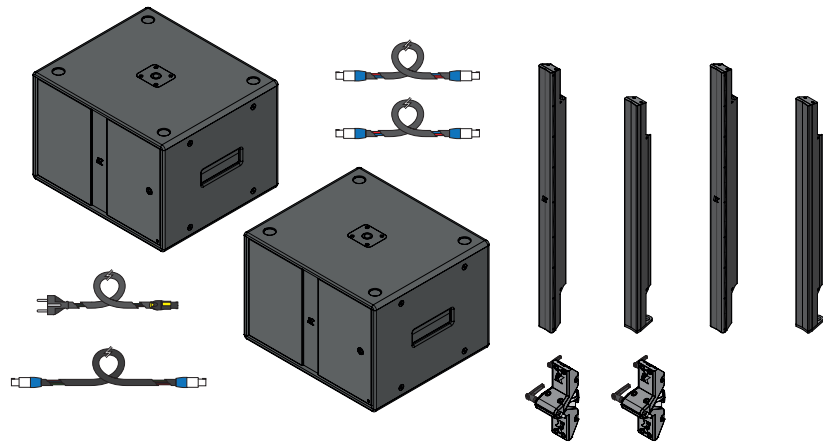
General	
Type	Passive line array
Transducers	16x 2" neodymium magnet woofers
Frequency Response <sup>1</sup>	150 Hz – 18 kHz (-6 dB)
Max SPL <sup>2</sup>	126 dB (peak)
Rated Power	400 W
Coverage	V. 7° - 35°   H. 120°
Connectors	SpeakOn NL4 1+ 1- (signal); 2+ 2- (through)
Impedance	8 Ω / 32 Ω selectable

Handling & Finishes	
Material	Stainless Steel
Colors	Black, White, Custom RAL
Finishes	24K Gold, Polished, Brushed
IP Rating	IP64 <sup>3</sup>
Dimensions (WxHxD)	59 x 1000 x 81 mm (2.3 x 39.4 x 3.2 in)
Weight	4.8 kg (10.6 lb)

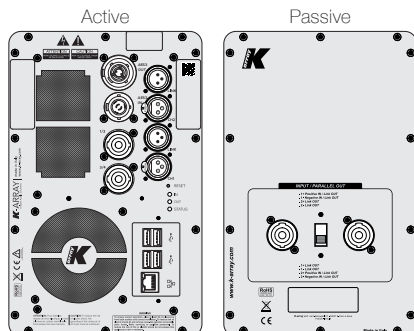
<sup>1</sup> With dedicated preset.  
<sup>2</sup> Maximum SPL is calculated using a signal with crest factor 4 (12dB) measured at 8 m then scaled at 1 m  
<sup>3</sup> More complete water protection with K-IP65KITA and K-IP65KITB accessories (IP65 compliant)

Handling & Finishes	
IP Rating	IP53
Dimensions (WxHxD)	500 x 350 x 440 mm (19.7 x 13.8 x 17.3 in)
Weight	21,6 kg (47.62 lb)

<sup>1</sup> Extensible with dedicated preset according to the midrange crossover point.  
<sup>2</sup> Maximum SPL is calculated using a signal with crest factor 4 (12dB) measured at 1 m.  
<sup>3</sup> CTA-2006 (CEA-2006) Amplifier Power Standards.



Subwoofer Rear Panels



Bill of material	
2	Kobra-KK102 I Stainless steel meter-long line array element with 2" drivers
1	Thunder-KS1 I Lightweight, multi-tasking 12" self-powered subwoofer
1	Thunder-KS1P I Lightweight, 12" passive subwoofer
2	K-KKPOLE Fake Kobra 100cm pole support
2	K-JOINT3 Joining hardware to connect Kobra loudspeakers
1	K-SPKCABLE15 4 pole speaker cable with SpeakON NL4, 15 m (49 ft)
2	K-SPKCABLE2 2 pole speaker cable with SpeakON NL4, 2 m (6.5 ft)
1	Power cable with PowerCON TRUE and power plug (according to the area regulatories)

Notes:  
Passive loudspeakers require dedicated presets loaded onboard K-array amplifiers.  
New materials and designs are introduced into existing products without previous notice.  
Present systems may differ in some respects from those presented in this document.

