

**LRABAS / LRAPRE**  
Instruction manual



## LRABAS / LRAPRE manual



- LRABAS-W: light rail adaptor basic white colour
- LRABAS-BL: light rail adaptor basic black colour



- LRAPRE-W: light rail adaptor premium white colour
- LRAPRE-BL: light rail adaptor premium black colour

## Safety precautions

Please read carefully before proceeding and keep this manual for future reference.

Always follow the basic precautions listed below to avoid the possibility of serious injury or even death from electrical shock, short-circuiting, damages, fire or other hazards.

These precautions include, but are not limited to, the following:

- Read these instructions.
- Keep these instructions.
- Heed all warnings.
- Follow all instructions, particularly those pertaining to rigging, mounting, hanging and electrical connections.
- This professional device needs to be installed by qualified personnel only. As improper installation may cause the unit to fall, resulting in personal injury and/or property damage.
- Clean only with dry cloth.
- Avoid touching the unit's sharp metal edge to prevent injury.
- Only use attachments/accessories that are specified and approved by the manufacturer.
- Install the loudspeaker in a location that can structurally support the weight of the unit and its mounting hardware.
- Tighten all speaker clamps securely. Doing otherwise may result in the unit falling down and causing personal injury and/or property damage.

- Always attach a safety cable to secure the loudspeaker to the building structure. Please, be guided by applicable building codes here. Otherwise the unit could fall down, resulting in personal injury or even death.
- Use only industry-accepted mounting tools and methods.
- Exposure to loud audio levels over a long time can cause severe hearing loss.
- Do not forget to consult the local law directions regarding producing sound in public places.
- Please check the unit's condition after unpacking. If the outside or the carton box has been damaged, inform your shipper immediately.
- Do not expose the device to water, damp or wet conditions.
- The unit is designed for fixed installations in buildings. It is not fit for use in mobile applications.
- Refer all servicing to qualified personnel.
- Indoor use only.

---

The warranty of this product and the applicable terms and conditions are provided by the dealer where you purchased this product.

## LRABAS - Basic light rail adaptor

The LRABAS basic light rail adaptor is available in black or white colour to match the colour of the loudspeaker or light rail to be used. The kit can be used with KUBO3, KUBO3T, KUBO5, KUBO5T, OVO5, OVO5T, SDQ5P and SDQ5PIR and allows ten loudspeakers to be mounted onto Nordic Aluminium Global Trac light rails.

## Installation instructions

### **ATTENTION**

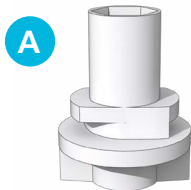
Apart Audio nv is not responsible for damages resulting from the negligent installation of any loudspeaker.

### **WARNING**

Please make sure that the mounting structure is capable of safely supporting the loudspeaker's weight.

## Supplied items

Unpack the contents and confirm following items are included.

**A****10 x**

XTAK146-2 (black) or  
XTAK146-3 (white)  
adaptor from Nordic  
Aluminium

**B****10 x**

M6 x 40 mm bolt

**C****10 x**

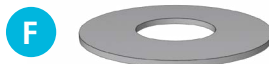
M6 nut

**D****10 x**

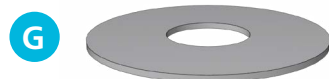
M6 lock nut

**E****20 x**

M6 x 25 mm washer

**F****10 x**

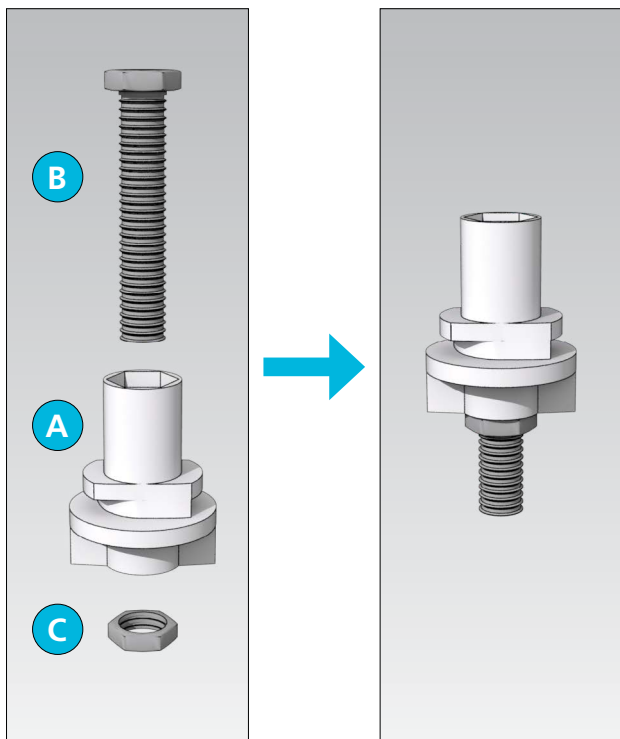
M12 x 32 mm washer

**G****10 x**

M12 x 40 mm washer

1

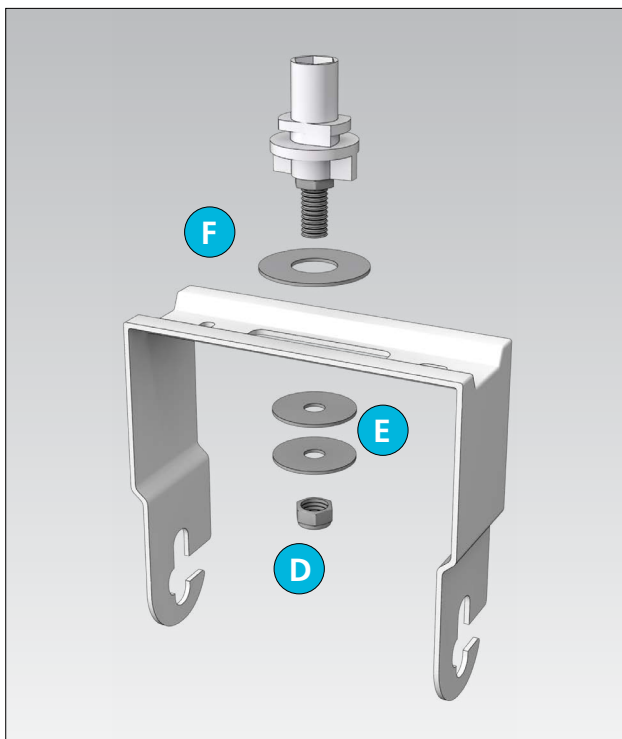
**All versions:** Insert the bolt (B) into the adaptor (A), add the M6 nut (C) and tighten.





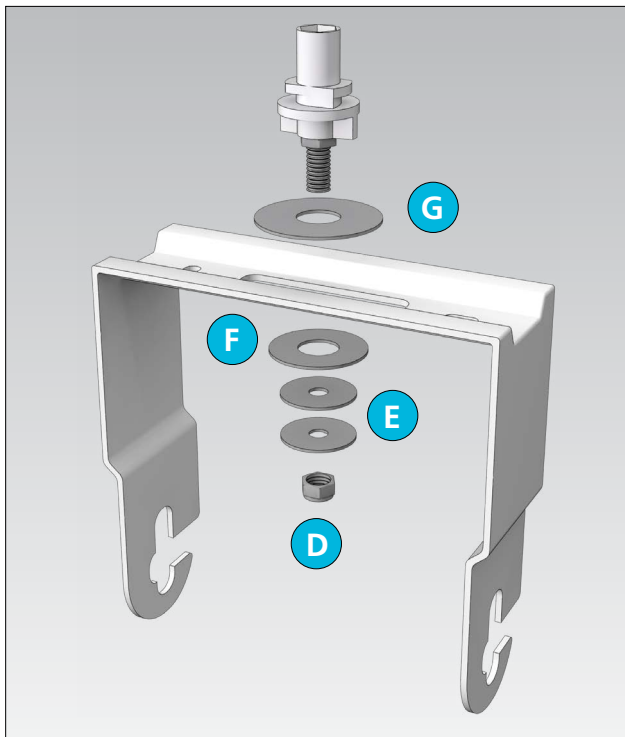
2a

**KUBO3 and KUBO3T:** Add one 32 mm washer (F) and insert through the loudspeaker bracket cable slot. Add two 25 mm washers (E) and M6 lock nut (D) loosely.



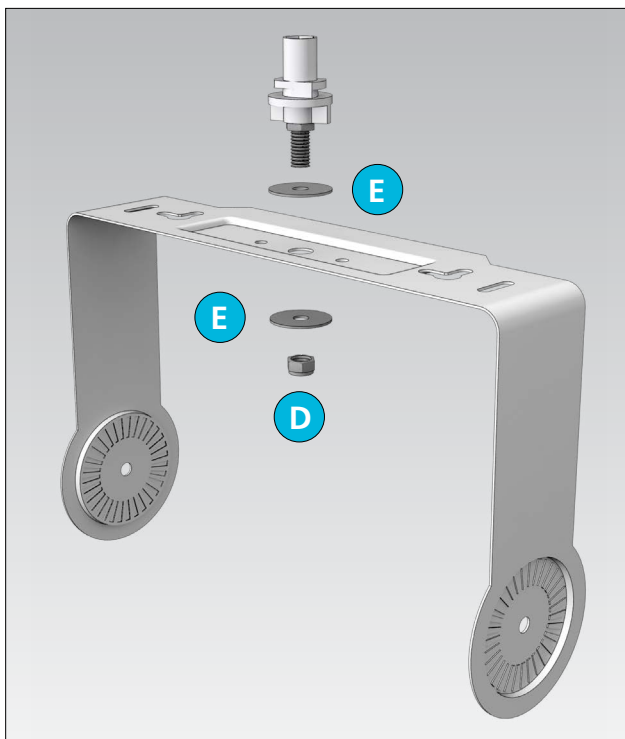
2b

**KUBO5 and KUBO5T:** Add one 40 mm washer (G) and insert through the KUBO5 or KUBO5T loudspeaker bracket cable slot. Add one 32 mm washer (F) and the two 25 mm washers (E) and the M6 lock nut (D) loosely.



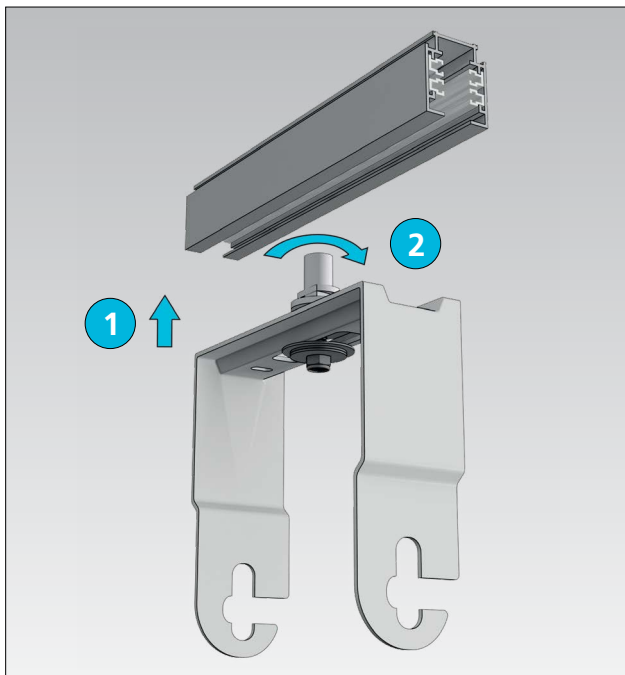
2c

**OVO5, OVO5T, SDQ5P and SDQ5PIR:** Add the 25 mm washer (E) and insert through the OVO5, OVO5T or SDQ5P loudspeaker bracket central mounting hole. Add the 25mm washer (E) and the M6 lock nut (D) loosely.



3

**Fitting to the light rail:** The adaptor and bracket assembly can then be fitted to the light rail by inserting (1) and turning 90 degrees (2). The adaptor and washers should be aligned centrally, the bracket positioned so that the loudspeaker will be pointing in the correct direction and the lock nut tightened. The loudspeaker can then be fitted to the bracket.

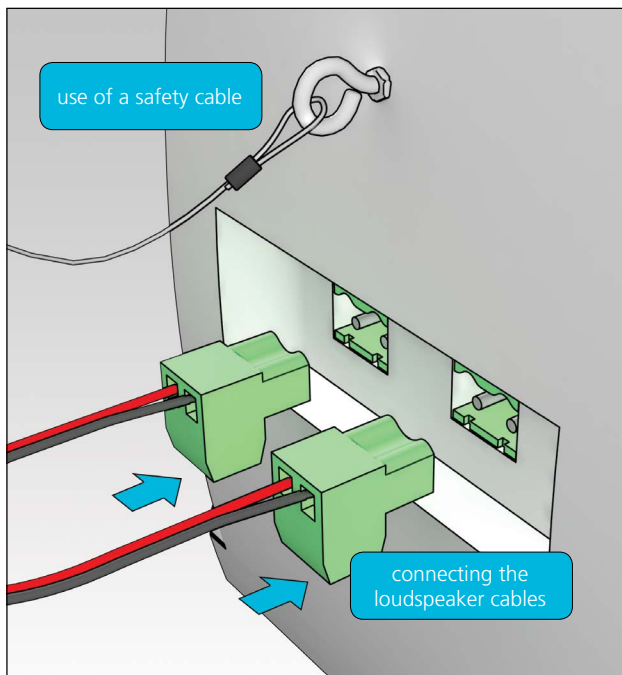


4

**Connecting the audio to the loudspeaker:** The audio signal should be connected to the loudspeaker in the normal way according to the loudspeaker manual.

5

**Safety cable:** Always use a safety cable between the wall or ceiling and the loudspeaker.



*picture of a KUBO loudspeaker used in this example*

## LRAPRE - Premium light rail adaptor

The LRAPRE premium light rail adaptor is available in black or white colour to match the colour of the loudspeaker or light rail to be used. The kit can be used with KUBO3, KUBO3T, KUBO5, KUBO5T, OVO5, OVO5T, SDQ5P and SDQ5PIR and allows two loudspeakers to be mounted onto Nordic Aluminium Global Trac light rails.

## Installation instructions

### **ATTENTION**

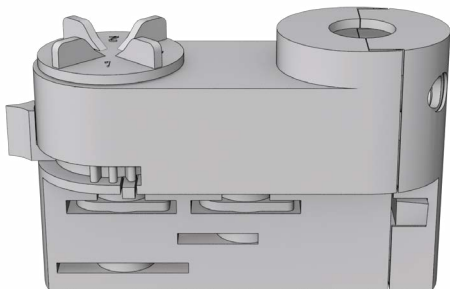
Apart Audio nv is not responsible for damages resulting from the negligent installation of any loudspeaker.

### **WARNING**

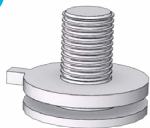
Please make sure that the mounting structure is capable of safely supporting the loudspeaker's weight.

## Supplied items

Unpack the contents and confirm following items are included.

**A****2 x**

Nordic Aluminium XTSA68-2 adaptor (black)  
or XTSA68-3 (white)

**B****2 x**

Nordic Aluminium  
XTSA57/12-9 aluminium  
nipple 10 mm diameter  
12 mm long

**C****2 x**

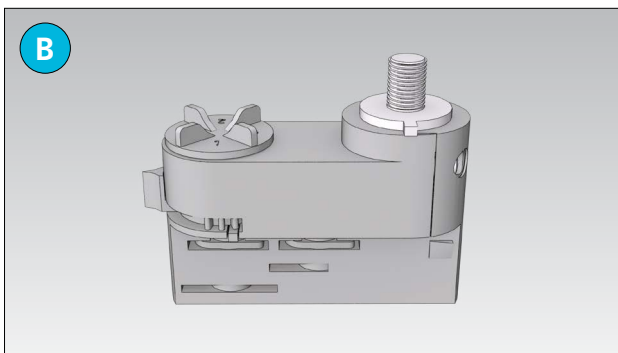
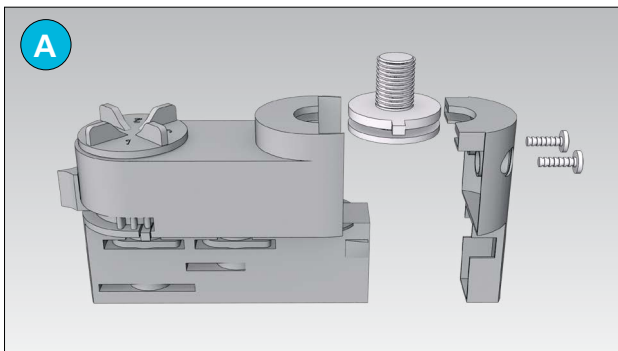
10 mm x 1 mm  
aluminium nut

**D****4 x**

washer  
M10 x 25 mm

1

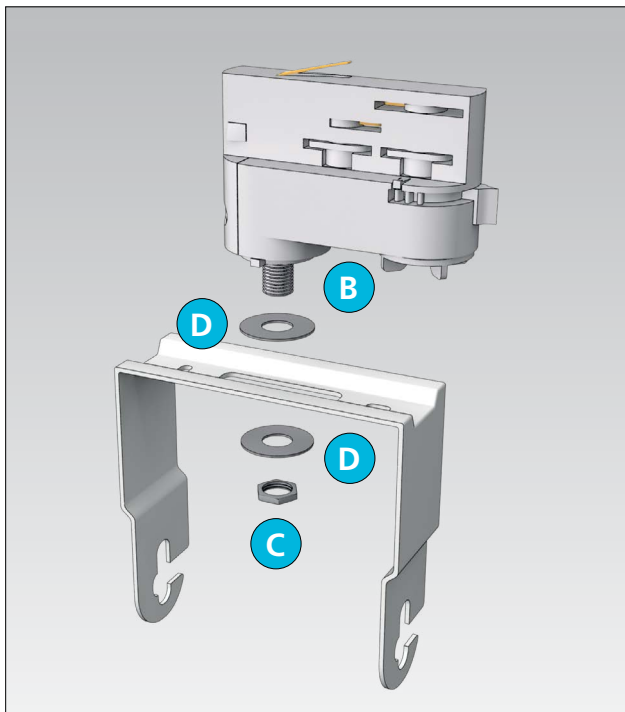
**All versions:** Remove the two hex screws and cover from the adaptor and insert the nipple (A). Refit the cover and screws securely (B).





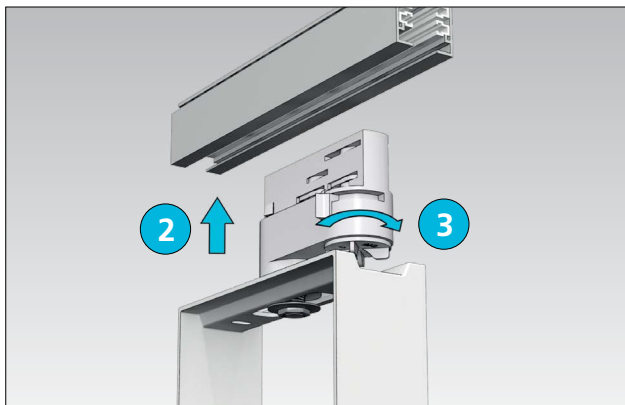
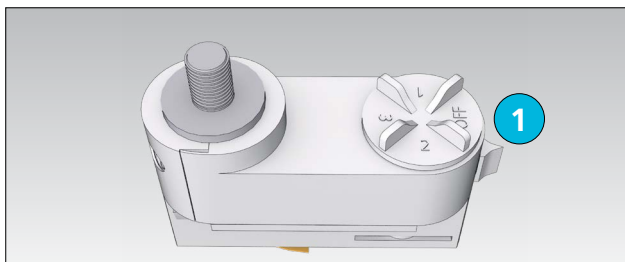
2

**All versions:** Add one 25 mm washer (D) to the nipple (B) and insert through the loudspeaker bracket cable slot. Add one 25 mm washer (D) and the M10 nut (C) to the nipple. The adaptor and washers should be aligned centrally, and the fixing nut tightened securely.



3

The bracket assembly can then be fitted to the light rail and the loudspeaker fitted to the bracket. Ensure that mains power is disconnected from the rail. The bus selector switch on the adaptor must be in the OFF position (1) to allow it to be inserted into the rail. Once inserted (2) the lever should be turned, locking the adaptor to the rail (3).

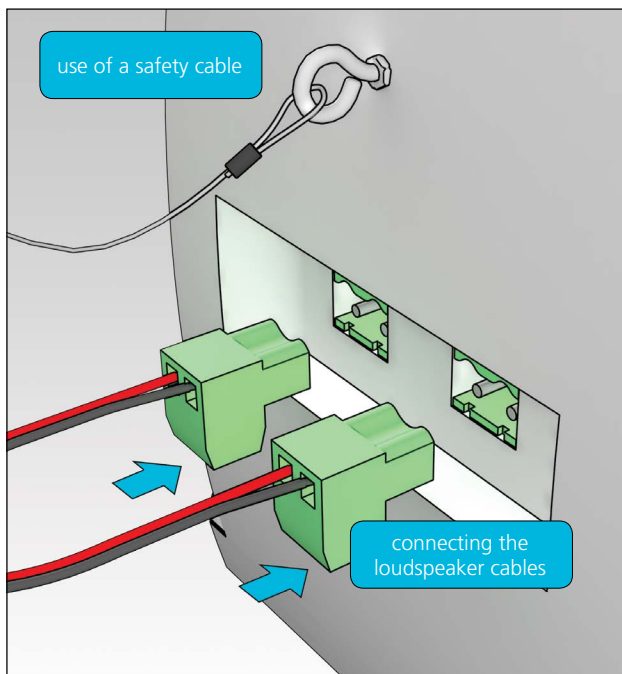


4

**Safety cable:** Always use a safety cable between the wall or ceiling and the loudspeaker.

5

**Connecting the audio to the loudspeaker:** It is recommended that the audio signal should be connected to the loudspeaker in the normal way according to the loudspeaker manual.



*picture of a KUBO loudspeaker used in this example*

6

**Using the light rail to connect the audio:** It is possible to connect the audio signal via the light rail. If the light rail connection is used, then extreme caution should be taken as the light rail may also be carrying mains power and if the wrong bus is selected on the rail adaptor mains power may be fed to the loudspeaker which will damage the device and invalidate its warranty. Local installation regulations must also be adhered to, in some countries it is not permissible to combine mains power and an audio signal in the same device / light rail.

Please consult the installation guide from Nordic Aluminium for further details.



## Specifications

model name	LRABAS	LRAPRE
product weight	0.20 kg	0.40 kg
product dimensions (w x h x d)	50 x 40 x 40 mm	85 x 58 x 32 mm
packed weight	0.25 kg	0.45 kg
packed dimensions (w x h x d)	120 x 100 x 80 mm	120 x 100 x 80 mm
adapters supplied in one box	10 pieces	2 pieces





**developed**  
**by**  
Apart Audio nv  
Industriepark Brechtsebaan 8 bus 1  
2900 Schoten - Belgium

Company names, product names and trademarks are property of their respective owners.

Apart Audio specifications are subject to change without notice.

