

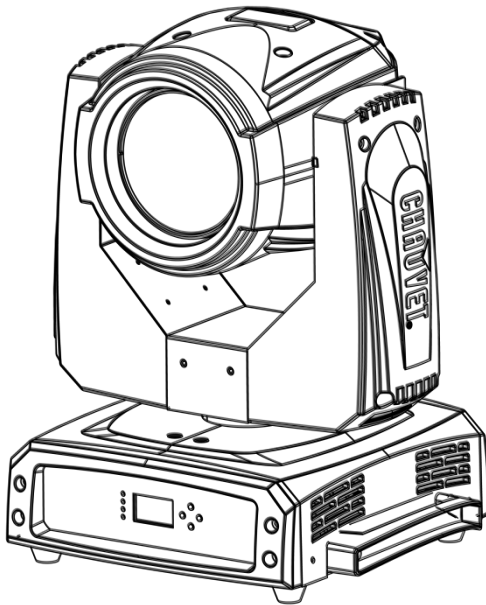


*Legend*TM

*230SR
BEAM*

Quick Reference Guide

| | |
|----------|----|
| English | EN |
| Español | ES |
| Français | FR |



CHAUVET[®]

About this Guide The Legend™ 230SR Beam Quick Reference Guide (QRG) has basic product information such as connection, mounting, menu options, and DMX values. Download the User Manual from www.chauvetpro.com for more details.

Disclaimer The information and specifications contained in this QRG are subject to change without notice.

- Safety Notes**
- DO NOT open this product. It contains no user-serviceable parts.
 - DO NOT look at the light source when the product is on.
 - CAUTION: This product’s housing is hot when lights are operating.
 - CAUTION: This product’s beam is hot when lights are operating. Be careful not to aim at fire sprinklers or alarms when in use.
 - **Mount this product in a location with adequate ventilation, at least 40 ft. (12.2 m) from objects to be lit.**
 - DO NOT leave any flammable material within 50 cm of this product while operating or connected to power.
 - USE a safety cable when mounting this product overhead.
 - DO NOT operate this product if the housing, lenses, or cables appear damaged.
 - DO NOT connect this product to a dimmer or rheostat.
 - ONLY connect this product to a grounded and protected circuit.
 - ONLY use the hanging/mounting bracket or the handles to carry this product. Do not carry by the moving head.
 - In the event of a serious operating problem, stop using immediately.
 - The maximum ambient temperature is 104° F (40° C). Do not operate this product at higher temperatures.

Contact Outside the U.S., United Kingdom, or Ireland, contact your distributor to request support or return a product. Visit www.chauvetlighting.com for contact information.

- What Is Included**
- Legend™ 230SR Beam
 - Omega Bracket
 - Warranty Card
 - Quick Reference Guide

AC Power This product has an auto-ranging power supply that can work with an input voltage range of 100~240 VAC, 50/60 Hz.

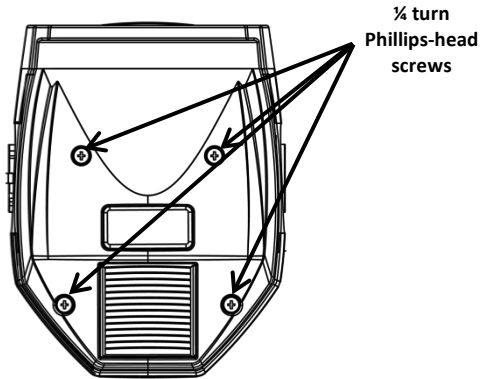
| AC Plug | Connection | Wire (U.S.) | Wire (Europe) | Screw Color |
|---------|------------|--------------|---------------|--------------|
| | AC Live | Black | Brown | Yellow/Brass |
| | AC Neutral | White | Blue | Silver |
| | AC Ground | Green/Yellow | Green/Yellow | Green |

- Replacing the Fuse**
1. Disconnect this product from power.
 2. Using a Phillips #2 head screwdriver, unscrew the fuse holder cap from the housing.
 3. Remove blown fuse and replace with a good fuse of the same type and rating.
 4. Screw the fuse holder cap back in place and reconnect power.

- Lamp Replacement**
1. Turn the fixture off and disconnect it from the power outlet.
 2. Wait at least 15 minutes for the lamp to cool down.
 3. Remove both head covers by removing 8 Phillips head ¼ turn screws.
 4. Orientate the rear of the product so that the fan is up.
 5. Remove the 2 Phillips-head screws on the sides of the fan assembly.
 6. Roll the fan assembly to the right to expose the lamp.
 7. Using the lamp base, push the lamp down against the spring clips located on the bottom, then roll the lamp out the top.
 8. Remove the 2 wires connected to the lamp by spade connectors.
 9. Reverse the steps above to install the new lamp.

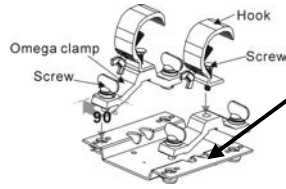


Please refer to the User Manual for more detailed instructions with images.



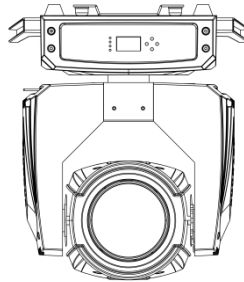
DMX Linking The Legend™ 230SR Beam will work with a DMX controller using a regular DMX serial connection. A DMX Primer is available from www.chauvetpro.com.

DMX Connection The Legend™ 230SR Beam uses a regular DMX data connection for its DMX personalities: 15 and 18 channel modes. See the User Manual to connect and configure for DMX operation.

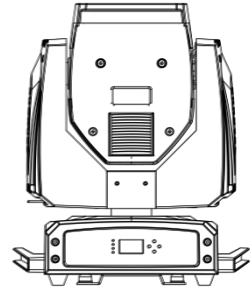


Secure the safety cable using the passageway on the bottom of the product

Product Mounting Diagram



Overhead Mounting



Floor Mounting

Control Panel Description

| Button | Function |
|---------|--|
| <MENU> | Exits from the current menu or function |
| <ENTER> | Enables the currently displayed menu or sets the currently selected value into the selected function |
| <UP> | Navigates upwards through the menu list and increases the numeric value when in a function |
| <DOWN> | Navigates downwards through the menu list and decreases the numeric value when in a function |

Menu Options

| Main Level | Programming Levels | | Description |
|--------------------|---------------------|--|---|
| DMX Functions | DMX Address | 001~512 | Selects a starting DMX address |
| | DMX Channel Mode | Mode 1 (15) | Selects the 15-channel DMX mode |
| | | Mode 2 (18) | Selects the 18-channel DMX mode |
| | View DMX Value | | Shows current DMX values for each channel |
| Fixture Setting | Pan Inverse | No | Defines the direction of the pan function |
| | | Yes | |
| | Tilt Inverse | No | Defines the direction of the tilt function |
| | | Yes | |
| | P/T Feedback | No | Defines auto correct function |
| | | Yes | |
| | Bl.o. P/T Moving | No | Defines the pan/tilt move-in black delay |
| | | Yes | |
| Bl.o. Color Change | No | Defines the color change move-in black delay | |
| | Yes | | |
| Bl.o. Gobo Change | No | Defines the gobo change move-in black delay | |
| | Yes | | |
| Lamp Setting | On/Off | OFF | Turns lamp on/off |
| | | ON | |
| | State/Power On | OFF | Defines the status of lamp when powering up product |
| | | ON | |
| | Off Via DMX | No | Turn off the unit via DMX controller |
| | | Yes | |
| | On if DMX On | No | Lamp turns on when DMX signal is detected |
| | | Yes | |
| Off if DMX Off | No | Lamp turns off when DMX signal is lost | |
| | Yes | | |
| Ignition Delay | 000~255S | Selects duration of delay between product power on and lamp power on | |
| Low Power Delay | 000~255S | Selects the duration of delay when shutter is closed and lamp enters lower power state | |
| Display Setting | Display Inverse | No | Defines the direction of the display |
| | | Yes | |
| | Backlight Auto Off | No | Display backlight always on |
| | | Yes | Display backlight turns off after 1 min. |
| | Backlight Intensity | 1~10 | Selects backlight intensity (1 dim~10 bright) |
| Temperature Unit | °C | Defines how temperature is displayed | |
| | °F | | |

Menu Options (cont.)

| Main Level | Programming Levels | | | Description |
|---------------------|---------------------|-------------|------------|---|
| Fixture Test | Auto Test | | | Selects the product's automatic test sequence |
| | Manual Test | | | Selects the product's manual test function |
| Fixture Information | Fixture Use Time | | | Displays total hours of products use |
| | Lamp On Time | Exit | | Displays the time lamp has been on |
| | | Reset Time | | Resets lamp timer to 0 |
| | Firmware Version | | | Displays the firmware version |
| Reset Functions | Pan/Tilt | No | | Resets pan/tilt functions to home position |
| | | Yes | | |
| | Shutter/Prism | No | | Resets shutter/prism functions to home position |
| | | Yes | | |
| | Color | No | | Resets color wheel to home position |
| | | Yes | | |
| | Gobo | No | | Resets gobo wheel to home position |
| | | Yes | | |
| | Zoom/Frost/Focus | No | | Resets pan/tilt functions to home position |
| | | Yes | | |
| | All | No | | Resets all functions to home position |
| | | Yes | | |
| Special Functions | Fixture Maintenance | Interval | 10~300 h | Defines amount of hours between maintenance |
| | | Remain Time | Exit | Shows amount of time remaining in maintenance cycle |
| | | | Reset Time | Resets maintenance timer |
| | Factory Setting | No | | Sets product back to default factory settings |
| | | Yes | | |

DMX Values

| Mode 1 | Channel | Function | Value | Percent/Setting |
|--------|---------|----------------|---|--|
| | 1 | Pan | 000 ⇔ 255 | 0~100% |
| | 2 | Fine Pan | 000 ⇔ 255 | 0~100% |
| | 3 | Tilt | 000 ⇔ 255 | 0~100% |
| | 4 | Fine Tilt | 000 ⇔ 255 | 0~100% |
| | 5 | Pan/Tilt Speed | 000 ⇔ 255 | 0~100% |
| | 6 | Dimmer | 000 ⇔ 255 | 0~100% |
| | 7 | Shutter | 000 ⇔ 007 008 ⇔ 015 016 ⇔ 131 132 ⇔ 167 168 ⇔ 203 204 ⇔ 239 240 ⇔ 247 248 ⇔ 255 | No Function Open Slow to fast strobe Fast close/slow open Slow close/fast open Slow to fast pulse effect Random strobe Open |
| | 8 | Color Wheel | 000 ⇔ 004 005 ⇔ 008 009 ⇔ 012 013 ⇔ 016 017 ⇔ 020 021 ⇔ 024 025 ⇔ 028 029 ⇔ 032 033 ⇔ 036 037 ⇔ 040 041 ⇔ 044 045 ⇔ 048 049 ⇔ 052 053 ⇔ 056 057 ⇔ 060 061 ⇔ 127 128 ⇔ 189 190 ⇔ 193 194 ⇔ 255 | Open Color 1 Color 2 Color 3 Color 4 Color 5 Color 6 Color 7 Color 8 Color 9 Color 10 Color 11 Color 12 Color 13 Color 14 Index/split color Clockwise rotation fast to slow Stop Counter clockwise rotation slow to fast |
| | 9 | Gobo Wheel | 000 ⇔ 003 004 ⇔ 006 007 ⇔ 009 010 ⇔ 012 013 ⇔ 015 016 ⇔ 018 019 ⇔ 021 022 ⇔ 024 025 ⇔ 027 028 ⇔ 030 031 ⇔ 033 034 ⇔ 036 037 ⇔ 039 040 ⇔ 042 043 ⇔ 045 046 ⇔ 048 | Open Gobo 1 Gobo 2 Gobo 3 Gobo 4 Gobo 5 Gobo 6 Gobo 7 Gobo 8 Gobo 9 Gobo 10 Gobo 11 Gobo 12 Gobo 13 Gobo 14 Gobo 15 |

DMX Values (cont.)

| Mode 1 (Cont.) | Channel | Function | Value | Percent/Setting |
|-------------------|---|-----------|---|-----------------|
| 9 | Gobo Wheel (cont.) | 049 ⇔ 051 | Gobo 16 | |
| | | 052 ⇔ 055 | Gobo 17 | |
| | | 056 ⇔ 059 | Open shaking | |
| | | 060 ⇔ 063 | Gobo 1 shaking | |
| | | 064 ⇔ 067 | Gobo 2 shaking | |
| | | 068 ⇔ 071 | Gobo 3 shaking | |
| | | 072 ⇔ 075 | Gobo 4 shaking | |
| | | 076 ⇔ 079 | Gobo 5 shaking | |
| | | 080 ⇔ 083 | Gobo 6 shaking | |
| | | 084 ⇔ 087 | Gobo 7 shaking | |
| | | 088 ⇔ 091 | Gobo 8 shaking | |
| | | 092 ⇔ 095 | Gobo 9 shaking | |
| | | 096 ⇔ 099 | Gobo 10 shaking | |
| | | 100 ⇔ 103 | Gobo 11 shaking | |
| | | 104 ⇔ 107 | Gobo 12 shaking | |
| | | 108 ⇔ 111 | Gobo 13 shaking | |
| | | 112 ⇔ 115 | Gobo 14 shaking | |
| | | 116 ⇔ 119 | Gobo 15 shaking | |
| | | 120 ⇔ 123 | Gobo 16 shaking | |
| | | 124 ⇔ 127 | Gobo 17 shaking | |
| 128 ⇔ 189 | Counter clockwise rotation fast to slow | | | |
| 190 ⇔ 193 | Stop | | | |
| 194 ⇔ 255 | Clockwise rotation slow to fast | | | |
| 10 | Prism | 000 ⇔ 004 | No Function | |
| | | 005 ⇔ 255 | Prism Effects | |
| 11 | Prism Rotation | 000 ⇔ 127 | Index | |
| | | 128 ⇔ 189 | Clockwise rotation fast to slow | |
| | | 190 ⇔ 193 | Stop | |
| | | 194 ⇔ 255 | Counter clockwise rotation slow to fast | |
| 12 | Prism Zoom | 000 ⇔ 255 | 0–100% | |
| 13 | Focus | 000 ⇔ 255 | 0–100% | |
| 14 | Frost | 000 ⇔ 255 | 0–100% | |
| 15 | Control | 000 ⇔ 029 | No Function | |
| | | 030 ⇔ 039 | Dimmer conventional mode | |
| | | 040 ⇔ 049 | Dimmer linear mode | |
| | | 050 ⇔ 059 | Pan/tilt fast mode | |
| | | 060 ⇔ 069 | Pan/tilt normal mode | |
| | | 070 ⇔ 079 | Pan/tilt blackout mode enabled | |
| | | 080 ⇔ 089 | Pan/tilt blackout mode disabled | |
| | | 090 ⇔ 099 | Color change blackout mode enabled | |
| | | 100 ⇔ 109 | Color change blackout mode disabled | |
| | | 110 ⇔ 119 | Gobo change blackout mode enabled | |
| | | 120 ⇔ 129 | Gobo change blackout mode disabled | |
| | | 130 ⇔ 139 | Lamp On | |
| | | 140 ⇔ 149 | Pan/tilt reset | |
| | | 150 ⇔ 159 | Color reset | |
| | | 160 ⇔ 169 | Gobo reset | |
| | | 170 ⇔ 179 | Shutter/prism reset | |
| | | 180 ⇔ 189 | No Function | |
| | | 190 ⇔ 199 | Frost/focus/zoom reset | |
| 200 ⇔ 209 | Reset all | | | |

DMX Values (cont.)

| Mode 1 | Channel | Function | Value | Percent/Setting |
|----------------|----------------|--|--------------|-------------------------------------|
| (Cont.) | 15 | Control (cont.) | 210 ⇔ 219 | Enable all movement blackout modes |
| | | | 220 ⇔ 229 | Disable all movement blackout modes |
| | | | 230 ⇔ 239 | Lamp off |
| | | | 240 ⇔ 255 | No Function |
| Mode 2 | Channel | Function | Value | Percent/Setting |
| | 1 | Pan | 000 ⇔ 255 | 0~100% |
| | 2 | Fine Pan | 000 ⇔ 255 | 0~100% |
| | 3 | Tilt | 000 ⇔ 255 | 0~100% |
| | 4 | Fine Tilt | 000 ⇔ 255 | 0~100% |
| | 5 | Pan/Tilt Speed | 000 ⇔ 255 | 0~100% |
| | 6 | Dimmer | 000 ⇔ 255 | 0~100% |
| | 7 | Fine Dimmer | 000 ⇔ 255 | 0~100% |
| | 8 | Shutter | 000 ⇔ 007 | No Function |
| | | | 008 ⇔ 015 | Open |
| | | | 016 ⇔ 131 | Slow to fast strobe |
| | | | 132 ⇔ 167 | Fast close/slow open |
| | | | 168 ⇔ 203 | Slow close/fast open |
| | | | 204 ⇔ 239 | Slow to fast pulse effect |
| | | | 240 ⇔ 247 | Random strobe |
| | | | 248 ⇔ 255 | Open |
| | 9 | Color Wheel | 000 ⇔ 004 | Open |
| | | | 005 ⇔ 008 | Color 1 |
| | | | 009 ⇔ 012 | Color 2 |
| | | | 013 ⇔ 016 | Color 3 |
| | | | 017 ⇔ 020 | Color 4 |
| | | | 021 ⇔ 024 | Color 5 |
| | | | 025 ⇔ 028 | Color 6 |
| | | | 029 ⇔ 032 | Color 7 |
| | | | 033 ⇔ 036 | Color 8 |
| | | | 037 ⇔ 040 | Color 9 |
| | | | 041 ⇔ 044 | Color 10 |
| | | | 045 ⇔ 048 | Color 11 |
| | | | 049 ⇔ 052 | Color 12 |
| | | | 053 ⇔ 056 | Color 13 |
| | | | 057 ⇔ 060 | Color 14 |
| | | | 061 ⇔ 127 | Index/split color |
| | 128 ⇔ 189 | Clockwise rotation fast to slow | | |
| | 190 ⇔ 193 | Stop | | |
| | 194 ⇔ 255 | Counterclockwise rotation slow to fast | | |
| | 10 | Gobo Wheel | 000 ⇔ 003 | Open |
| | | | 004 ⇔ 006 | Gobo 1 |
| | | | 007 ⇔ 009 | Gobo 2 |
| | | | 010 ⇔ 012 | Gobo 3 |
| | | | 013 ⇔ 015 | Gobo 4 |
| | | | 016 ⇔ 018 | Gobo 5 |
| | | | 019 ⇔ 021 | Gobo 6 |
| | | | 022 ⇔ 024 | Gobo 7 |
| | | | 025 ⇔ 027 | Gobo 8 |
| | | | 028 ⇔ 030 | Gobo 9 |

DMX Values (cont.)

| Mode 2 | Channel | Function | Value | Percent/Setting |
|--------|---------|-----------------------|---|---|
| | 10 | Gobo Wheel (cont.) | 031 ⇔ 033 034 ⇔ 036 037 ⇔ 039 040 ⇔ 042 043 ⇔ 045 046 ⇔ 048 049 ⇔ 051 052 ⇔ 055 056 ⇔ 059 060 ⇔ 063 064 ⇔ 067 068 ⇔ 071 072 ⇔ 075 076 ⇔ 079 080 ⇔ 083 084 ⇔ 087 088 ⇔ 091 092 ⇔ 095 096 ⇔ 099 100 ⇔ 103 104 ⇔ 107 108 ⇔ 111 112 ⇔ 115 116 ⇔ 119 120 ⇔ 123 124 ⇔ 127 128 ⇔ 189 190 ⇔ 193 194 ⇔ 255 | Gobo 10 Gobo 11 Gobo 12 Gobo 13 Gobo 14 Gobo 15 Gobo 16 Gobo 17 Open Gobo 1 shaking Gobo 2 shaking Gobo 3 shaking Gobo 4 shaking Gobo 5 shaking Gobo 6 shaking Gobo 7 shaking Gobo 8 shaking Gobo 9 shaking Gobo 10 shaking Gobo 11 shaking Gobo 12 shaking Gobo 13 shaking Gobo 14 shaking Gobo 15 shaking Gobo 16 shaking Gobo 17 shaking Counterclockwise rotation fast to slow Stop Clockwise rotation slow to fast |
| | 11 | Prism | 000 ⇔ 004 005 ⇔ 255 | No Function Prism Effects |
| | 12 | Prism Rotation | 000 ⇔ 127 128 ⇔ 189 190 ⇔ 193 194 ⇔ 255 | Index Clockwise rotation fast to slow Stop Counterclockwise rotation slow to fast |
| | 13 | Prism Zoom | 000 ⇔ 255 | 0~100% |
| | 14 | Focus | 000 ⇔ 255 | 0~100% |
| | 15 | Frost | 000 ⇔ 255 | 0~100% |
| | 16 | Pan/Tilt Macro | 000 ⇔ 007 008 ⇔ 015 016 ⇔ 023 024 ⇔ 031 032 ⇔ 039 040 ⇔ 047 048 ⇔ 055 056 ⇔ 063 064 ⇔ 071 072 ⇔ 079 080 ⇔ 087 | No Function Macro 1 Macro 2 Macro 3 Macro 4 Macro 5 Macro 6 Macro 7 Macro 8 Macro 9 Macro 10 |

DMX Values (cont.)

| Mode 2 (Cont.) | Channel | Function | Value | Percent/Setting |
|-------------------|-------------------------------------|-----------|-------------------------------------|-----------------|
| 16 | Pan/Tilt Macro (cont.) | 088 ⇔ 095 | Macro 11 | |
| | | 096 ⇔ 103 | Macro 12 | |
| | | 104 ⇔ 111 | Macro 13 | |
| | | 112 ⇔ 119 | Macro 14 | |
| | | 120 ⇔ 127 | Macro 15 | |
| | | 128 ⇔ 135 | Macro 16 | |
| | | 136 ⇔ 143 | Macro 17 | |
| | | 144 ⇔ 151 | Macro 18 | |
| | | 152 ⇔ 159 | Macro 19 | |
| | | 160 ⇔ 167 | Macro 20 | |
| | | 168 ⇔ 175 | Macro 21 | |
| | | 176 ⇔ 183 | Macro 22 | |
| | | 184 ⇔ 191 | Macro 23 | |
| | | 192 ⇔ 199 | Macro 24 | |
| | | 200 ⇔ 207 | Macro 25 | |
| | | 208 ⇔ 215 | Macro 26 | |
| | | 216 ⇔ 223 | Macro 27 | |
| 224 ⇔ 127 | Macro 28 | | | |
| 232 ⇔ 189 | Macro 29 | | | |
| 240 ⇔ 193 | Macro 30 | | | |
| 248 ⇔ 255 | Macro 31 | | | |
| 17 | Pan/Tilt Macro Speed | 000 ⇔ 255 | 0~100% | |
| 18 | Control | 000 ⇔ 029 | No Function | |
| | | 030 ⇔ 039 | Dimmer conventional mode | |
| | | 040 ⇔ 049 | Dimmer linear mode | |
| | | 050 ⇔ 059 | Pan/tilt fast mode | |
| | | 060 ⇔ 069 | Pan/tilt normal mode | |
| | | 070 ⇔ 079 | Pan/tilt blackout mode enabled | |
| | | 080 ⇔ 089 | Pan/tilt blackout mode disabled | |
| | | 090 ⇔ 099 | Color change blackout mode enabled | |
| | | 100 ⇔ 109 | Color change blackout mode disabled | |
| | | 110 ⇔ 119 | Gobo change blackout mode enabled | |
| | | 120 ⇔ 129 | Gobo change blackout mode disabled | |
| | | 130 ⇔ 139 | Lamp On | |
| | | 140 ⇔ 149 | Pan/tilt reset | |
| | | 150 ⇔ 159 | Color reset | |
| | | 160 ⇔ 169 | Gobo reset | |
| | | 170 ⇔ 179 | Shutter/prism reset | |
| | | 180 ⇔ 189 | No Function | |
| 190 ⇔ 199 | Frost/focus/zoom reset | | | |
| 200 ⇔ 209 | Reset all | | | |
| 210 ⇔ 219 | Enable all movement blackout modes | | | |
| 220 ⇔ 229 | Disable all movement blackout modes | | | |
| 230 ⇔ 239 | Lamp off | | | |
| 240 ⇔ 255 | No Function | | | |

Acerca de Esta Guía La Guía de Referencia Rápida (GRR) del Legend™ 230SR Beam contiene información básica sobre el producto, como conexión, montaje, opciones de menú y valores DMX. Descargue el manual de usuario de www.chauvetpro.com para una información más detallada.

Exención de Responsabilidad La información y especificaciones contenidas en esta GRR están sujetas a cambio sin previo aviso.

Notas de Seguridad

- NO abra este producto. No contiene piezas reparables por el usuario.
- NO mire a la fuente de luz cuando el producto esté encendido.
- CUIDADO: La carcasa de este producto está caliente cuando las luces están en funcionamiento.
- CUIDADO: El haz de este producto está caliente cuando las luces están en funcionamiento. Tenga cuidado de no apuntar a aspersores contra incendios o alarmas cuando lo use.
- **Monte este producto en una ubicación con ventilación adecuada, al menos a 40 pies (12,2 m) de los objetos que vaya a iluminar.**
- NO deje ningún material inflamable a menos de 50 cm de este producto mientras esté funcionando o conectado a la alimentación.
- USE un cable de seguridad cuando monte este producto en lo alto.
- NO ponga en funcionamiento este producto si sospecha que la carcasa, lentes o cables están dañados.
- NO conecte este producto a un atenuador o reostato.
- Conecte este producto SOLO a un circuito con toma de tierra y protegido.
- Use SOLAMENTE los soportes de colgar/montar o las asas para mover este producto. NO lo transporte por la cabeza móvil.
- En caso de un problema grave de funcionamiento, deje de usarlo inmediatamente.
- La máxima temperatura ambiente es de 104° F (40° C). No haga funcionar este producto a temperaturas más altas.

Contacto Fuera de EE.UU, Reino Unido o Irlanda, póngase en contacto con su proveedor para solicitar asistencia o devolver el producto. Visite www.chauvetlighting.com para información de contacto.

Qué va incluido

- Legend™ 230SR Beam
- Soporte Omega
- Tarjeta de Garantía
- Guía de Referencia Rápida

Corriente Alterna

Este producto tiene una fuente de alimentación con detección automática que puede funcionar con un rango de tensión de entrada de 100~240 VCA, 50/60 Hz.

Enchufe CA

| Conexión | Cable (EE.UU) | Cable (Europa) | Color del Tornillo |
|------------|----------------|----------------|--------------------|
| CA Cargado | Negro | Marrón | Amarillo/Bronce |
| CA Neutro | Blanco | Azul | Plata |
| CA Tierra | Verde/Amarillo | Verde/Amarillo | Verde |

Sustitución del Fusible

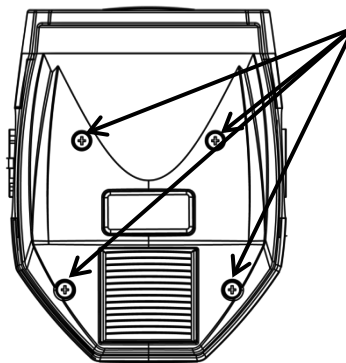
1. Desconecte el producto de la toma de corriente.
2. Con un destornillador de estrella N°2 desatornille la tapa del portafusibles.
3. Quite el fusible fundido del portafusibles y sustitúyalo con otro del mismo tipo y categoría.
4. Vuelva a atornillar la tapa del portafusibles en su sitio y conecte de nuevo la alimentación.

Sustitución de la lámpara

1. Apague el producto y desconéctelo de la toma de alimentación.
2. Espere al menos 15 minutos a que la lámpara se enfríe
3. Quite las dos cubiertas de la cabeza quitando los 8 tornillos de estrella con un 1/4 de vuelta.
4. Oriente la parte trasera del producto de forma que el ventilador esté abajo.
5. Quite los 2 tornillos de estrella de los laterales del ensamblaje del ventilador.
6. Quite los dos cables conectados a la lámpara con los conectores de horquilla.
7. Usando la base de la lámpara, empuje la lámpara hacia arriba contra los clips de muelle situados en la parte superior; luego saque rodando la lámpara.
8. Gire el ensamblaje del ventilador hacia la izquierda para dejar la lámpara al descubierto.
9. Repita a la inversa los pasos anteriores para instalar la lámpara nueva.



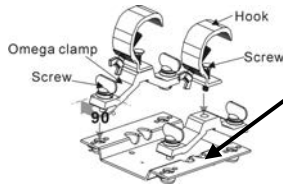
Consulte por favor el Manual de Usuario para instrucciones más detalladas con imágenes.



Tornillos de estrella de 1/4 de vuelta

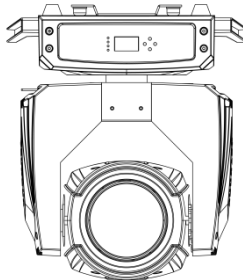
Enlace DMX El Legend™ 230SR Beam funcionará con un controlador DMX usando una conexión serie DMX normal. Hay un Manual DMX disponible en www.chauvetpro.com.

Conexión DMX El Legend™ 230SR Beam usa una conexión de datos DMX normal para sus personalidades DMX: 15 y 18. Vea el Manual de usuario para conectar y configurar para funcionamiento DMX.

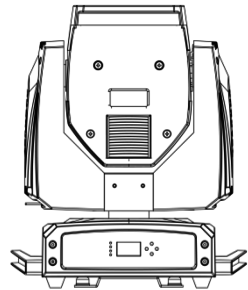


Asegure el cable de seguridad usando el pasador de la parte inferior del producto

Diagrama de Montaje



Montaje en Alto



Montaje en Suelo

Descripción del Panel de Control

| Botón | Función |
|---------|--|
| <MENU> | Salir del menú o función actual |
| <ENTER> | Habilita el menú actualmente en pantalla o configura el valor seleccionado actualmente dentro de la función seleccionada |
| <UP> | Navega hacia arriba por la lista de menú y aumenta el valor numérico cuando está en una función |
| <DOWN> | Navega hacia abajo por la lista de menú y disminuye el valor numérico cuando está en una función |

Opciones de Menú

| Nivel Principal | Niveles de Programación | | Descripción |
|--------------------|-------------------------|---|---|
| DMX Functions | DMX Address | 001-512 | Selecciona una dirección DMX de inicio |
| | DMX Channel Mode | Mode 1 (15) | Selecciona el modo DMX de 15 canales |
| | | Mode 2 (18) | Selecciona el modo DMX de 18 canales |
| | View DMX Value | | Muestra los valores DMX actuales para cada canal |
| Fixture Setting | Pan Inverse | No | Define la dirección de la función de desplazamiento lateral |
| | | Yes | |
| | Tilt Inverse | No | Define la dirección de la función de inclinación |
| | | Yes | |
| | P/T Feedback | No | Define la función de autocorrección |
| | | Yes | |
| | Bl.o. P/T Moving | No | Define el retardo de move-in black para el desplazamiento lateral/inclinación |
| | | Yes | |
| Bl.o. Color Change | No | Define el retardo de move-in black para el cambio de color | |
| | Yes | | |
| Bl.o. Gobo Change | No | Define el retardo de move-in black para el cambio de gobo | |
| | Yes | | |
| Lamp Setting | On/Off | OFF | Apaga/Enciende la lámpara |
| | | ON | |
| | State/Power On | OFF | Define el estado de la lámpara cuando se enciende el producto |
| | | ON | |
| | Off Via DMX | No | Apaga la unidad a través del controlador DMX |
| | | Yes | |
| | On if DMX On | No | La lámpara se enciende cuando se detecta la señal DMX |
| | | Yes | |
| Off if DMX Off | No | La lámpara se apaga cuando se pierde la señal DMX | |
| | Yes | | |
| Ignition Delay | 000-255S | Selecciona la duración del retardo entre el encendido del producto y el encendido de la lámpara | |
| Low Power Delay | 000-255S | Selecciona la duración del retardo cuando el obturador se cierra y la lámpara entra en estado de bajo consumo | |

Opciones de Menú (cont.)

| Nivel Principal | Niveles de Programación | | Descripción | |
|---------------------|-------------------------|---|--|---|
| Display Setting | Display Inverse | No | Define la dirección de la pantalla | |
| | | Yes | | |
| | Backlight Auto Off | No | Iluminación de la pantalla siempre encendida | |
| | | Yes | La iluminación de la pantalla se apaga después de 1 min. | |
| | Backlight Intensity | 1~10 | Selecciona la intensidad de la iluminación (1 atenuación~10 brillo) | |
| Temperature Unit | °C | Define cómo se muestra en pantalla la temperatura | | |
| | °F | | | |
| Fixture Test | Auto Test | | Inicia la secuencia de prueba automática del producto | |
| | Manual Test | | Inicia la secuencia de prueba manual del producto | |
| Fixture Information | Fixture Use Time | | Muestra en pantalla el total de horas de uso del producto | |
| | Lamp On Time | Exit | Muestra en pantalla el tiempo que la lámpara ha estado encendida | |
| | | Reset Time | Reinicia la cuenta de tiempo de la lámpara a 0 | |
| | Firmware Version | | Muestra en pantalla la versión de firmware | |
| Reset Functions | Pan/Tilt | No | Reinicia las funciones de desplazamiento lateral/inclinación a la posición de inicio | |
| | | Yes | | |
| | Shutter/Prism | No | Reinicia las funciones de obturador/prisma a la posición de inicio | |
| | | Yes | | |
| | Color | No | Reinicia la rueda de color a la posición de inicio | |
| | | Yes | | |
| | Gobo | No | Reinicia la rueda de gobo a la posición de inicio | |
| | | Yes | | |
| | Zoom/Frost/Focus | No | Reinicia las funciones de desplazamiento lateral/inclinación a la posición de inicio | |
| | | Yes | | |
| | All | No | Reinicia todas las funciones a la posición de inicio | |
| | | Yes | | |
| Special Functions | Fixture Maintenance | Interval | 10~300 h | Define la cantidad de horas entre operaciones de mantenimiento |
| | | Remain Time | Exit | Muestra en pantalla el tiempo restante del ciclo de mantenimiento |
| | | | Reset Time | Reinicia la cuenta de tiempo de mantenimiento |
| | Factory Setting | No | Restablece el producto a su configuración de fábrica | |
| | | Yes | | |

Valores DMX

| Mode 1 | Canal | Función | Valor | Porcentaje/Configuración |
|--------|-------|--|---|---|
| | 1 | Desplazamiento Lateral | 000 ⇔ 255 | 0~100% |
| | 2 | Desplazamiento Lateral Fino | 000 ⇔ 255 | 0~100% |
| | 3 | Inclinación | 000 ⇔ 255 | 0~100% |
| | 4 | Inclinación Fina | 000 ⇔ 255 | 0~100% |
| | 5 | Velocidad Desplazamiento lateral/Inclinación | 000 ⇔ 255 | 0~100% |
| | 6 | Atenuador | 000 ⇔ 255 | 0~100% |
| | 7 | Obturador (Shutter) | 000 ⇔ 007 008 ⇔ 015 016 ⇔ 131 132 ⇔ 167 168 ⇔ 203 204 ⇔ 239 240 ⇔ 247 248 ⇔ 255 | Sin función Abrir Estroboscopio lento a rápido Cerrar rápido/Abrir lento Cerrar lento/Abrir rápido Efecto pulso de lento a rápido Estroboscopio aleatorio Abrir |
| | 8 | Rueda de Color | 000 ⇔ 004 005 ⇔ 008 009 ⇔ 012 013 ⇔ 016 017 ⇔ 020 021 ⇔ 024 025 ⇔ 028 029 ⇔ 032 033 ⇔ 036 037 ⇔ 040 041 ⇔ 044 045 ⇔ 048 049 ⇔ 052 053 ⇔ 056 057 ⇔ 060 061 ⇔ 127 128 ⇔ 189 190 ⇔ 193 194 ⇔ 255 | Abrir Color 1 Color 2 Color 3 Color 4 Color 5 Color 6 Color 7 Color 8 Color 9 Color 10 Color 11 Color 12 Color 13 Color 14 Color indexado/división Giro en el sentido de las agujas del reloj rápido a lento Parada Rotación en sentido contrario a las agujas del reloj lento a rápido |
| | 9 | Rueda de Gobo | 000 ⇔ 003 004 ⇔ 006 007 ⇔ 009 010 ⇔ 012 013 ⇔ 015 016 ⇔ 018 019 ⇔ 021 022 ⇔ 024 025 ⇔ 027 028 ⇔ 030 031 ⇔ 033 034 ⇔ 036 | Abrir Gobo 1 Gobo 2 Gobo 3 Gobo 4 Gobo 5 Gobo 6 Gobo 7 Gobo 8 Gobo 9 Gobo 10 Gobo 11 |

Valores DMX (cont.)

| Modo 1 (Cont.) | Canal | Función | Valor | Porcentaje/Configuración |
|-------------------|--|-----------|--|--------------------------|
| 9 | Rueda de Gobo (cont.) | 037 ⇔ 039 | Gobo 12 | |
| | | 040 ⇔ 042 | Gobo 13 | |
| | | 043 ⇔ 045 | Gobo 14 | |
| | | 046 ⇔ 048 | Gobo 15 | |
| | | 049 ⇔ 051 | Gobo 16 | |
| | | 052 ⇔ 055 | Gobo 17 | |
| | | 056 ⇔ 059 | Abrir vibración | |
| | | 060 ⇔ 063 | Gobo 1 vibrando | |
| | | 064 ⇔ 067 | Gobo 2 vibrando | |
| | | 068 ⇔ 071 | Gobo 3 vibrando | |
| | | 072 ⇔ 075 | Gobo 4 vibrando | |
| | | 076 ⇔ 079 | Gobo 5 vibrando | |
| | | 080 ⇔ 083 | Gobo 6 vibrando | |
| | | 084 ⇔ 087 | Gobo 7 vibrando | |
| | | 088 ⇔ 091 | Gobo 8 vibrando | |
| | | 092 ⇔ 095 | Gobo 9 vibrando | |
| | | 096 ⇔ 099 | Gobo 10 vibrando | |
| | | 100 ⇔ 103 | Gobo 11 vibrando | |
| | | 104 ⇔ 107 | Gobo 12 vibrando | |
| | | 108 ⇔ 111 | Gobo 13 vibrando | |
| 112 ⇔ 115 | Gobo 14 vibrando | | | |
| 116 ⇔ 119 | Gobo 15 vibrando | | | |
| 120 ⇔ 123 | Gobo 16 vibrando | | | |
| 124 ⇔ 127 | Gobo 17 vibrando | | | |
| 128 ⇔ 189 | Giro en sentido contrario a las agujas del reloj rápido a lento | | | |
| 190 ⇔ 193 | Parada | | | |
| 194 ⇔ 255 | Rotación en el sentido de las agujas del reloj lento a rápido | | | |
| 10 | Prisma | 000 ⇔ 004 | Sin función | |
| | | 005 ⇔ 255 | Efectos de prisma | |
| 11 | Rotación de Prisma | 000 ⇔ 127 | Índice | |
| | | 128 ⇔ 189 | Giro en el sentido de las agujas del reloj rápido a lento | |
| | | 190 ⇔ 193 | Parada | |
| | | 194 ⇔ 255 | Rotación en sentido contrario a las agujas del reloj lento a rápido | |
| 12 | Zoom de Prisma | 000 ⇔ 255 | 0~100% | |
| 13 | Foco | 000 ⇔ 255 | 0~100% | |
| 14 | Difusor | 000 ⇔ 255 | 0~100% | |
| 15 | Control | 000 ⇔ 029 | Sin función | |
| | | 030 ⇔ 039 | Modo atenuador convencional | |
| | | 040 ⇔ 049 | Modo atenuador lineal | |
| | | 050 ⇔ 059 | Modo rápido desplazamiento lateral/inclinación | |
| | | 060 ⇔ 069 | Modo normal desplazamiento lateral/inclinación | |
| | | 070 ⇔ 079 | Modo blackout desplazamiento lateral/inclinación habilitado | |
| | | 080 ⇔ 089 | Modo blackout desplazamiento lateral/inclinación deshabilitado | |

Valores DMX (cont.)

| Modo 1 (Cont.) | Canal | Función | Valor | Porcentaje/Configuración |
|-------------------|--------------------|-------------|-----------|--|
| 15 | Control (cont.) | | 090 ⇔ 099 | Modo blackout cambio de color habilitado |
| | | | 100 ⇔ 109 | Modo blackout cambio de color deshabilitado |
| | | | 110 ⇔ 119 | Modo blackout cambio de gobo habilitado |
| | | | 120 ⇔ 129 | Modo blackout cambio de gobo deshabilitado |
| | | | 130 ⇔ 139 | Lámpara encendida |
| | | | 140 ⇔ 149 | Reiniciar desplazamiento lateral/inclinación |
| | | | 150 ⇔ 159 | Reiniciar color |
| | | | 160 ⇔ 169 | Reiniciar gobo |
| | | | 170 ⇔ 179 | Reiniciar obturador/prisma |
| | | | 180 ⇔ 189 | Sin función |
| | | | 190 ⇔ 199 | Reiniciar difusor/foco/zoom |
| | | | 200 ⇔ 209 | Reiniciar todo |
| | | | 210 ⇔ 219 | Habilitar todos los modos de blackout de movimiento |
| | | | 220 ⇔ 229 | Deshabilitar todos los modos de blackout de movimiento |
| | | | 230 ⇔ 239 | Lámpara apagada |
| | 240 ⇔ 255 | Sin función | | |

Valores DMX (cont.)

| Modo 2 | Canal | Función | Valor | Porcentaje/Configuración |
|--------|-------|--|---|---|
| | 1 | Desplazamiento Lateral | 000 ⇔ 255 | 0~100% |
| | 2 | Desplazamiento Lateral Fino | 000 ⇔ 255 | 0~100% |
| | 3 | Inclinación | 000 ⇔ 255 | 0~100% |
| | 4 | Inclinación Fina | 000 ⇔ 255 | 0~100% |
| | 5 | Velocidad Desplazamiento lateral/Inclinación | 000 ⇔ 255 | 0~100% |
| | 6 | Atenuador | 000 ⇔ 255 | 0~100% |
| | 7 | Atenuador Fino | 000 ⇔ 255 | 0~100% |
| | 8 | Obturador (Shutter) | 000 ⇔ 007 008 ⇔ 015 016 ⇔ 131 132 ⇔ 167 168 ⇔ 203 204 ⇔ 239 240 ⇔ 247 248 ⇔ 255 | Sin función Abrir Estroboscopio lento a rápido Cerrar rápido/Abrir lento Cerrar lento/Abrir rápido Efecto pulso de lento a rápido Estroboscopio aleatorio Abrir |
| | 9 | Rueda de Color | 000 ⇔ 004 005 ⇔ 008 009 ⇔ 012 013 ⇔ 016 017 ⇔ 020 021 ⇔ 024 025 ⇔ 028 029 ⇔ 032 033 ⇔ 036 037 ⇔ 040 041 ⇔ 044 045 ⇔ 048 049 ⇔ 052 053 ⇔ 056 057 ⇔ 060 061 ⇔ 127 128 ⇔ 189 190 ⇔ 193 194 ⇔ 255 | Abrir Color 1 Color 2 Color 3 Color 4 Color 5 Color 6 Color 7 Color 8 Color 9 Color 10 Color 11 Color 12 Color 13 Color 14 Color indexado/división Giro en el sentido de las agujas del reloj rápido a lento Parada Rotación en sentido contrario a las agujas del reloj lento a rápido |

Valores DMX (cont.)

| Modo 2 | Canal | Función | Valor | Porcentaje/Configuración |
|--------|-------|---------------|-----------|--|
| | | | 000 ⇔ 003 | Abrir |
| | | | 004 ⇔ 006 | Gobo 1 |
| | | | 007 ⇔ 009 | Gobo 2 |
| | | | 010 ⇔ 012 | Gobo 3 |
| | | | 013 ⇔ 015 | Gobo 4 |
| | | | 016 ⇔ 018 | Gobo 5 |
| | | | 019 ⇔ 021 | Gobo 6 |
| | | | 022 ⇔ 024 | Gobo 7 |
| | | | 025 ⇔ 027 | Gobo 8 |
| | | | 028 ⇔ 030 | Gobo 9 |
| | | | 031 ⇔ 033 | Gobo 10 |
| | | | 034 ⇔ 036 | Gobo 11 |
| | | | 037 ⇔ 039 | Gobo 12 |
| | | | 040 ⇔ 042 | Gobo 13 |
| | | | 043 ⇔ 045 | Gobo 14 |
| | | | 046 ⇔ 048 | Gobo 15 |
| | | | 049 ⇔ 051 | Gobo 16 |
| | | | 052 ⇔ 055 | Gobo 17 |
| | | | 056 ⇔ 059 | Abrir |
| | | | 060 ⇔ 063 | Gobo 1 vibrando |
| | | | 064 ⇔ 067 | Gobo 2 vibrando |
| | | | 068 ⇔ 071 | Gobo 3 vibrando |
| | | | 072 ⇔ 075 | Gobo 4 vibrando |
| | | | 076 ⇔ 079 | Gobo 5 vibrando |
| | | | 080 ⇔ 083 | Gobo 6 vibrando |
| | | | 084 ⇔ 087 | Gobo 7 vibrando |
| | | | 088 ⇔ 091 | Gobo 8 vibrando |
| | | | 092 ⇔ 095 | Gobo 9 vibrando |
| | | | 096 ⇔ 099 | Gobo 10 vibrando |
| | | | 100 ⇔ 103 | Gobo 11 vibrando |
| | | | 104 ⇔ 107 | Gobo 12 vibrando |
| | | | 108 ⇔ 111 | Gobo 13 vibrando |
| | | | 112 ⇔ 115 | Gobo 14 vibrando |
| | | | 116 ⇔ 119 | Gobo 15 vibrando |
| | | | 120 ⇔ 123 | Gobo 16 vibrando |
| | | | 124 ⇔ 127 | Gobo 17 vibrando |
| | | | 128 ⇔ 189 | Giro en sentido contrario a las agujas del reloj rápido a lento |
| | | | 190 ⇔ 193 | Parada |
| | | | 194 ⇔ 255 | Rotación en el sentido de las agujas del reloj lento a rápido |
| | 10 | Rueda de Gobo | | |
| | 11 | Prisma | 000 ⇔ 004 | Sin función |
| | | | 005 ⇔ 255 | Efectos de prisma |

Valores DMX (cont.)

| Modo 2 (Cont.) | Canal | Función | Valor | Porcentaje/Configuración |
|-------------------|-------|--|--|--|
| | 12 | Rotación de Prisma | 000 ⇔ 127 128 ⇔ 189 190 ⇔ 193 194 ⇔ 255 | Índice Giro en el sentido de las agujas del reloj rápido a lento Parada Rotación en sentido contrario a las agujas del reloj lento a rápido |
| | 13 | Zoom de Prisma | 000 ⇔ 255 | 0~100% |
| | 14 | Foco | 000 ⇔ 255 | 0~100% |
| | 15 | Difusor | 000 ⇔ 255 | 0~100% |
| | 16 | Macro Desplazamiento Lateral/Inclinación | 000 ⇔ 007 008 ⇔ 015 016 ⇔ 023 024 ⇔ 031 032 ⇔ 039 040 ⇔ 047 048 ⇔ 055 056 ⇔ 063 064 ⇔ 071 072 ⇔ 079 080 ⇔ 087 088 ⇔ 095 096 ⇔ 103 104 ⇔ 111 112 ⇔ 119 120 ⇔ 127 128 ⇔ 135 136 ⇔ 143 144 ⇔ 151 152 ⇔ 159 160 ⇔ 167 168 ⇔ 175 176 ⇔ 183 184 ⇔ 191 192 ⇔ 199 200 ⇔ 207 208 ⇔ 215 216 ⇔ 223 224 ⇔ 127 232 ⇔ 189 240 ⇔ 193 248 ⇔ 255 | Sin función Macro 1 Macro 2 Macro 3 Macro 4 Macro 5 Macro 6 Macro 7 Macro 8 Macro 9 Macro 10 Macro 11 Macro 12 Macro 13 Macro 14 Macro 15 Macro 16 Macro 17 Macro 18 Macro 19 Macro 20 Macro 21 Macro 22 Macro 23 Macro 24 Macro 25 Macro 26 Macro 27 Macro 28 Macro 29 Macro 30 Macro 31 |
| | 17 | Velocidad Macro Desplazamiento Lateral/Inclinación | 000 ⇔ 255 | 0~100% |

Valores DMX (cont.)

| Modo 2 (Cont.) | Canal | Función | Valor | Porcentaje/Configuración |
|-------------------|---------|---------|-----------|--|
| 18 | Control | | 000 ⇔ 029 | Sin función |
| | | | 030 ⇔ 039 | Modo atenuador convencional |
| | | | 040 ⇔ 049 | Modo atenuador lineal |
| | | | 050 ⇔ 059 | Modo rápido desplazamiento lateral/inclinación |
| | | | 060 ⇔ 069 | Modo normal desplazamiento lateral/inclinación |
| | | | 070 ⇔ 079 | Modo blackout desplazamiento lateral/inclinación habilitado |
| | | | 080 ⇔ 089 | Modo blackout desplazamiento lateral/inclinación deshabilitado |
| | | | 090 ⇔ 099 | Modo blackout cambio de color habilitado |
| | | | 100 ⇔ 109 | Modo blackout cambio de color deshabilitado |
| | | | 110 ⇔ 119 | Modo blackout cambio de gobo habilitado |
| | | | 120 ⇔ 129 | Modo blackout cambio de gobo deshabilitado |
| | | | 130 ⇔ 139 | Lámpara encendida |
| | | | 140 ⇔ 149 | Reiniciar desplazamiento lateral/inclinación |
| | | | 150 ⇔ 159 | Reiniciar color |
| | | | 160 ⇔ 169 | Reiniciar gobo |
| | | | 170 ⇔ 179 | Reiniciar obturador/prisma |
| | | | 180 ⇔ 189 | Sin función |
| | | | 190 ⇔ 199 | Reiniciar difusor/foco/zoom |
| | | | 200 ⇔ 209 | Reiniciar todo |
| | | | 210 ⇔ 219 | Habilitar todos los modos de blackout de movimiento |
| | | | 220 ⇔ 229 | Deshabilitar todos los modos de blackout de movimiento |
| | | | 230 ⇔ 239 | Lámpara apagada |
| | | | 240 ⇔ 255 | Sin función |

À Propos de ce Manuel Le Manuel de Référence du Legend™ 230SR Beam (MdR) reprend des informations de base sur ce produit notamment en matière de connexions, montage, options de menu et valeurs DMX. Téléchargez le manuel d'utilisation sur www.chauvetpro.com pour de plus amples informations.

Clause de Non-Responsabilité Les informations et caractéristiques contenues dans ce manuel sont sujettes à changement sans préavis.

Consignes de Sécurité

- N'ouvrez PAS cet appareil. Il ne contient aucun composant susceptible d'être réparé par l'utilisateur.
- Ne regardez PAS la source lumineuse lorsque le produit fonctionne.
- ATTENTION: le faisceau de ce produit est brûlant lors du fonctionnement.
- ATTENTION: le faisceau de ce produit est brûlant lors du fonctionnement. Veillez à ne pas diriger une unité en fonctionnement vers des gicleurs anti-incendie ou des alarmes.
- **Montez toujours ce produit dans un endroit bien ventilé, à au moins 12,2 m (40 pieds) des objets à éclairer.**
- Ne laissez AUCUNE source inflammable dans un rayon de 50 cm du produit lorsque celui-ci fonctionne.
- Utilisez TOUJOURS un câble de sécurité lorsque vous montez ce produit en hauteur.
- N'utilisez PAS cet appareil si le boîtier, les lentilles ou les câbles vous semblent endommagés.
- Ne connectez ce produit NI à un gradateur NI à un rhéostat.
- Connectez UNIQUEMENT cet appareil à un circuit protégé et relié à la terre.
- Transportez/Suspendez cet appareil UNIQUEMENT au moyen du support ou des poignées dont il est doté. Ne transportez JAMAIS cet appareil par sa lyre asservie.
- En cas de sérieux problèmes de fonctionnement, arrêtez le système immédiatement.
- La température ambiante maximale supportée par cet appareil est de 104° F (40° C). Ne le faites pas fonctionner à des températures plus élevées.

Contact En dehors des États-Unis, du Royaume-Uni et de l'Irlande, contactez votre fournisseur si vous avez besoin d'assistance ou de retourner votre produit. Consultez le site www.chauvetlighting.com pour trouver nos coordonnées.

Ce qui est Inclus

- Un Legend™ 230SR Beam
- Un Support Omega
- Une Fiche de Garantie
- Un Manuel de Référence

Alimentation CA

Ce produit est doté d'une alimentation universelle prenant en charge toute tension d'entrée comprise entre 100 et 240 VCA, 50/60 Hz.

| Prise CA | Connexion | Câble (États-Unis) | Câble (Europe) | Couleur de la Vis |
|---------------|-----------|--------------------|----------------|-------------------|
| Conducteur CA | | Noir | Marron | Jaune/Cuivré |
| Neutre CA | | Blanc | Bleu | Argenté |
| Terre CA | | Vert/Jaune | Vert/Jaune | Vert |

Remplacement du Fusible

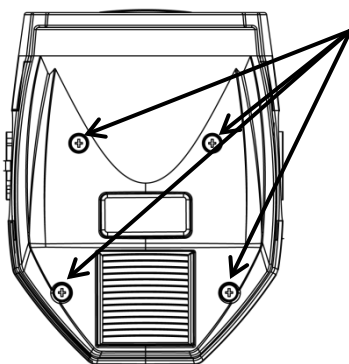
1. Débranchez l'appareil de la prise.
2. À l'aide d'un tournevis Philips à tête n° 2, dévissez le couvercle du porte-fusible.
3. Remplacez le fusible obsolète par un fusible neuf équivalent
4. Revissez le couvercle du porte-fusible et rebranchez l'unité.

Remplacement de la Lampe

1. Éteignez l'unité et déconnectez-la de la prise.
2. Attendez au moins 15 minutes afin que l'unité refroidisse.
3. Retirez les deux couvercles de la lyre en dévissant les vis Philips n°8 d'un quart de tour.
4. Positionnez l'arrière de l'unité de manière à ce que le ventilateur soit dirigé vers le bas.
5. Retirez les 2 vis Philips sur le côté du système de ventilation.
6. Faites rouler le ventilateur le système de ventilation sur la gauche pour mettre la lampe en évidence.
7. En utilisant la base de la lampe, poussez cette dernière contre les clips à ressort situés sur la partie supérieure puis faites-la sortir par le bas.
8. Retirez les deux fils connectés à la lampe par les connecteurs débrochables.
9. Répétez les étapes susmentionnées pour installer une nouvelle lampe.



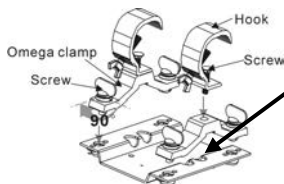
Veillez consulter le manuel d'utilisation pour de plus amples instructions accompagnées d'images.



Dévissez les vis Philips d'un quart de tour

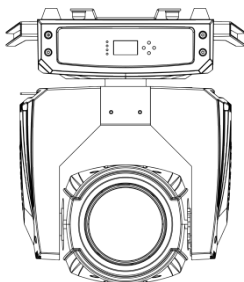
Raccordement DMX Le Legend™ 230SR Beam fonctionnera avec un jeu d'orgues DMX au moyen de connexions DMX en série. Une introduction au DMX est à votre disposition sur www.chauvetpro.com.

Connexion DMX Le Legend™ 230SR Beam utilise une connexion de données DMX standard pour ses personnalités DMX: 15 et 18. Consultez le manuel d'utilisation pour connecter et configurer le système DMX.

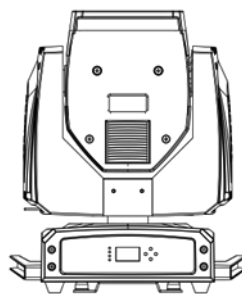


Fixez le câble de sécurité au moyen du passant au bas de l'unité

Schéma de Montage



Montage en hauteur



Montage au sol

Description du Tableau de Commandes

| Bouton | Fonction |
|---------|---|
| <MENU> | Permet la sortie du menu ou de la fonction en cours |
| <ENTER> | Permet l'affichage du menu en cours ou permet de configurer la valeur en cours dans la fonction sélectionnée |
| <UP> | Permet de parcourir les listes ou les menus vers le haut, dans une fonction permet d'augmenter les valeurs numériques |
| <DOWN> | Permet de parcourir les listes ou les menus vers le bas, dans une fonction permet de diminuer les valeurs numériques |

Options du Menu

| Niveau Principal | Niveaux de Programmation | | Description |
|--------------------|--------------------------|---|---|
| DMX Functions | DMX Address | 001-512 | Sélectionne une adresse DMX de départ |
| | DMX Channel Mode | Mode 1 (15) | Sélectionne le mode DMX à 15 canaux |
| | | Mode 2 (18) | Sélectionne le mode DMX à 18 canaux |
| | View DMX Value | | Indique les valeurs DMX actuelles de chaque canal. |
| Fixture Setting | Pan Inverse | No | Définit la direction de la fonction pan |
| | | Yes | |
| | Tilt Inverse | No | Définit la direction de la fonction tilt |
| | | Yes | |
| | P/T Feedback | No | Définit la fonction d'auto correction |
| | | Yes | |
| | Bl.o. P/T Moving | No | Définit la temporisation de la mise en noir général du pan ou tilt |
| | | Yes | |
| Bl.o. Color Change | No | Définit la temporisation de la mise en noir général du changement de couleur | |
| | Yes | | |
| Bl.o. Gobo Change | No | Définit la temporisation de la mise en noir général du changement de gobo | |
| | Yes | | |
| Lamp Setting | On/Off | OFF | Allume ou éteint l'unité |
| | | ON | |
| | State/Power On | OFF | Définit le statut de la lampe lors de la mise sous tension de l'unité |
| | | ON | |
| | Off Via DMX | No | Éteint l'unité via le jeu d'orgues |
| | | Yes | |
| | On if DMX On | No | La lampe s'allume quand le signal DMX est détecté |
| | | Yes | |
| Off if DMX Off | No | La lampe s'éteint quand le signal DMX est perdu | |
| | Yes | | |
| Ignition Delay | 000-255S | Sélectionne la durée de la temporisation entre le moment où la lampe s'allume ou s'éteint | |
| Low Power Delay | 000-255S | Sélectionne la durée de la temporisation entre le moment où l'obturateur se ferme et la lampe se met en mode veille | |

Options du Menu (suite)

| Niveau Principal | Niveaux de Programmation | | Description | |
|---------------------|--------------------------|---|---|---|
| Display Setting | Display Inverse | No | Définit l'orientation de l'affichage | |
| | | Yes | | |
| | Backlight Auto Off | No | Rétroéclairage toujours actif | |
| | | Yes | Rétroéclairage désactivé après 1 min. | |
| | Backlight Intensity | 1~10 | Sélectionne l'intensité du rétroéclairage (1 faible à 10 fort) | |
| Temperature Unit | °C | Définit comment la température est affichée | | |
| | °F | | | |
| Fixture Test | Auto Test | | Sélectionne la séquence de test automatique de l'unité | |
| | Manual Test | | Sélectionne la fonction de test manuel de l'unité | |
| Fixture Information | Fixture Use Time | | Affiche le nombre d'heure total d'utilisation de l'unité | |
| | Lamp On Time | Exit | Affichage la durée pendant laquelle la lampe a fonctionné | |
| | | Reset Time | Réinitialise le compteur | |
| | Firmware Version | | Affiche la version du micro-logiciel | |
| Reset Functions | Pan/Tilt | No | Réinitialise les fonctions pan et tilt à leurs positions de départ | |
| | | Yes | | |
| | Shutter/Prism | No | Réinitialise les fonctions obturateur et prisme à leurs positions de départ | |
| | | Yes | | |
| | Color | No | Réinitialise la roue de couleur à sa position de départ | |
| | | Yes | | |
| | Gobo | No | Réinitialise la roue de gobo à sa position de départ | |
| | | Yes | | |
| | Zoom/Frost/Focus | No | Réinitialise les fonctions pan et tilt à leurs positions de départ | |
| | | Yes | | |
| | All | No | Réinitialise toutes les fonctions à leurs positions de départ | |
| | | Yes | | |
| Special Functions | Fixture Maintenance | Interval | 10~300 h | Définit le nombre d'heures entre deux maintenances |
| | | Remain Time | Exit | Indique le temps restant lors du cycle de maintenance |
| | | | Reset Time | Réinitialise le compteur de maintenance |
| | Factory Setting | No | | Retour de l'unité à la configuration d'usine |
| | | Yes | | |

Valeurs DMX

| Mode 1 | Canal | Fonction | Valeur | Pourcentage/Configuration |
|--------|-------|------------------|---|---|
| | 1 | Pan | 000 ⇔ 255 | 0~100% |
| | 2 | Pan Fin | 000 ⇔ 255 | 0~100% |
| | 3 | Tilt | 000 ⇔ 255 | 0~100% |
| | 4 | Tilt Fin | 000 ⇔ 255 | 0~100% |
| | 5 | Vitesse pan/tilt | 000 ⇔ 255 | 0~100% |
| | 6 | Gradateur | 000 ⇔ 255 | 0~100% |
| | 7 | Obturateur | 000 ⇔ 007 008 ⇔ 015 016 ⇔ 131 132 ⇔ 167 168 ⇔ 203 204 ⇔ 239 240 ⇔ 247 248 ⇔ 255 | Pas de fonction Ouvert Stroboscope de lent à rapide Fermeture rapide et ouverture lente Ouverture rapide et fermeture lente Effet de pulsation de lent à rapide Stroboscope aléatoire Ouvert |
| | 8 | Roue de Couleurs | 000 ⇔ 004 005 ⇔ 008 009 ⇔ 012 013 ⇔ 016 017 ⇔ 020 021 ⇔ 024 025 ⇔ 028 029 ⇔ 032 033 ⇔ 036 037 ⇔ 040 041 ⇔ 044 045 ⇔ 048 049 ⇔ 052 053 ⇔ 056 057 ⇔ 060 061 ⇔ 127 128 ⇔ 189 190 ⇔ 193 194 ⇔ 255 | Ouvert Couleur 1 Couleur 2 Couleur 3 Couleur 4 Couleur 5 Couleur 6 Couleur 7 Couleur 8 Couleur 9 Couleur 10 Couleur 11 Couleur 12 Couleur 13 Couleur 14 Index et séparation de couleurs Rotation dans le sens des aiguilles d'une montre de rapide à lent Arrêt Rotation dans le sens contraire des aiguilles d'une montre de lent à rapide |
| | 9 | Roue de Gobo | 000 ⇔ 003 004 ⇔ 006 007 ⇔ 009 010 ⇔ 012 013 ⇔ 015 016 ⇔ 018 019 ⇔ 021 022 ⇔ 024 025 ⇔ 027 028 ⇔ 030 031 ⇔ 033 034 ⇔ 036 037 ⇔ 039 | Ouvert Gobo 1 Gobo 2 Gobo 3 Gobo 4 Gobo 5 Gobo 6 Gobo 7 Gobo 8 Gobo 9 Gobo 10 Gobo 11 Gobo 12 |

Valeurs DMX (suite)

| Mode 1 (suite) | Canal | Fonction | Valeur | Pourcentage/Configuration |
|-------------------|--|-----------|--|---------------------------|
| 9 | Roue de Gobo (suite) | 040 ⇔ 042 | Gobo 13 | |
| | | 043 ⇔ 045 | Gobo 14 | |
| | | 046 ⇔ 048 | Gobo 15 | |
| | | 049 ⇔ 051 | Gobo 16 | |
| | | 052 ⇔ 055 | Gobo 17 | |
| | | 056 ⇔ 059 | Oscillation ouverte | |
| | | 060 ⇔ 063 | Gobo oscillant 1 | |
| | | 064 ⇔ 067 | Gobo oscillant 2 | |
| | | 068 ⇔ 071 | Gobo oscillant 3 | |
| | | 072 ⇔ 075 | Gobo oscillant 4 | |
| | | 076 ⇔ 079 | Gobo oscillant 5 | |
| | | 080 ⇔ 083 | Gobo oscillant 6 | |
| | | 084 ⇔ 087 | Gobo oscillant 7 | |
| | | 088 ⇔ 091 | Gobo oscillant 8 | |
| | | 092 ⇔ 095 | Gobo oscillant 9 | |
| | | 096 ⇔ 099 | Gobo oscillant 10 | |
| | | 100 ⇔ 103 | Gobo oscillant 11 | |
| | | 104 ⇔ 107 | Gobo oscillant 12 | |
| | | 108 ⇔ 111 | Gobo oscillant 13 | |
| | | 112 ⇔ 115 | Gobo oscillant 14 | |
| 116 ⇔ 119 | Gobo oscillant 15 | | | |
| 120 ⇔ 123 | Gobo oscillant 16 | | | |
| 124 ⇔ 127 | Gobo oscillant 17 | | | |
| 128 ⇔ 189 | Rotation dans le sens contraire des aiguilles d'une montre de rapide à lent | | | |
| 190 ⇔ 193 | Arrêt | | | |
| 194 ⇔ 255 | Rotation dans le sens des aiguilles d'une montre de lent à rapide | | | |
| 10 | Prisme | 000 ⇔ 004 | Pas de fonction | |
| | | 005 ⇔ 255 | Effets de prisme | |
| 11 | Rotation de Prisme | 000 ⇔ 127 | Index | |
| | | 128 ⇔ 189 | Rotation dans le sens des aiguilles d'une montre de rapide à lent | |
| | | 190 ⇔ 193 | Arrêt | |
| | | 194 ⇔ 255 | Rotation dans le sens contraire des aiguilles d'une montre de lent à rapide | |
| 12 | Zoom du Prisme | 000 ⇔ 255 | 0~100% | |
| 13 | Mise au Point | 000 ⇔ 255 | 0~100% | |
| 14 | Effet Dépoli | 000 ⇔ 255 | 0~100% | |
| 15 | Commande | 000 ⇔ 029 | Pas de fonction | |
| | | 030 ⇔ 039 | Mode conventionnel de gradation | |
| | | 040 ⇔ 049 | Mode linéaire de gradation | |
| | | 050 ⇔ 059 | Mode rapide pan/tilt | |
| | | 060 ⇔ 069 | Mode normal pan/tilt | |
| | | 070 ⇔ 079 | Mode noir général pan/tilt activé | |
| | | 080 ⇔ 089 | Mode noir général pan/tilt désactivé | |
| | | 090 ⇔ 099 | Mode noir général changement de couleurs activé | |

Valeurs DMX (suite)

| Mode 1 (suite) | Canal | Fonction | Valeur | Pourcentage/Configuration |
|-------------------|-------|---------------------|-----------|--|
| | 15 | Commande (suite) | 100 ⇔ 109 | Mode noir général changement de couleurs désactivé |
| | | | 110 ⇔ 119 | Mode noir général changement de gobo activé |
| | | | 120 ⇔ 129 | Mode noir général changement de gobo désactivé |
| | | | 130 ⇔ 139 | Lampe allumée |
| | | | 140 ⇔ 149 | Réinitialisation de pan/tilt |
| | | | 150 ⇔ 159 | Réinitialisation de couleur |
| | | | 160 ⇔ 169 | Réinitialisation de gobo |
| | | | 170 ⇔ 179 | Réinitialisation d'obturateur/de prisme |
| | | | 180 ⇔ 189 | Pas de fonction |
| | | | 190 ⇔ 199 | Réinitialisation de zoom/mise au point/effet dépoli |
| | | | 200 ⇔ 209 | Tout réinitialiser |
| | | | 210 ⇔ 219 | Activation de tous les modes de mouvement en noir général |
| | | | 220 ⇔ 229 | Désactivation de tous les modes de mouvement en noir général |
| | | | 230 ⇔ 239 | Lampe éteinte |
| | | | 240 ⇔ 255 | Pas de fonction |

Valeurs DMX (suite)

| Mode 2 | Canal | Fonction | Valeur | Pourcentage/Configuration |
|--------|-------|------------------|---|---|
| | 1 | Pan | 000 ⇔ 255 | 0~100% |
| | 2 | Pan Fin | 000 ⇔ 255 | 0~100% |
| | 3 | Tilt | 000 ⇔ 255 | 0~100% |
| | 4 | Tilt Fin | 000 ⇔ 255 | 0~100% |
| | 5 | Vitesse Pan/Tilt | 000 ⇔ 255 | 0~100% |
| | 6 | Gradateur | 000 ⇔ 255 | 0~100% |
| | 7 | Gradateur Fin | 000 ⇔ 255 | 0~100% |
| | 8 | Obturbateur | 000 ⇔ 007 008 ⇔ 015 016 ⇔ 131 132 ⇔ 167 168 ⇔ 203 204 ⇔ 239 240 ⇔ 247 248 ⇔ 255 | Pas de fonction Ouvert Stroboscope de lent à rapide Fermeture rapide et ouverture lente Ouverture rapide et fermeture lente Effet de pulsation de lent à rapide Stroboscope aléatoire Ouvert |
| | 9 | Roue de Couleurs | 000 ⇔ 004 005 ⇔ 008 009 ⇔ 012 013 ⇔ 016 017 ⇔ 020 021 ⇔ 024 025 ⇔ 028 029 ⇔ 032 033 ⇔ 036 037 ⇔ 040 041 ⇔ 044 045 ⇔ 048 049 ⇔ 052 053 ⇔ 056 057 ⇔ 060 061 ⇔ 127 128 ⇔ 189 190 ⇔ 193 194 ⇔ 255 | Ouvert Couleur 1 Couleur 2 Couleur 3 Couleur 4 Couleur 5 Couleur 6 Couleur 7 Couleur 8 Couleur 9 Couleur 10 Couleur 11 Couleur 12 Couleur 13 Couleur 14 Index et séparation de couleurs Rotation dans le sens des aiguilles d'une montre de rapide à lent Arrêt Rotation dans le sens contraire des aiguilles d'une montre de lent à rapide |

Valeurs DMX (suite)

| Mode 2 (suite) | Canal | Fonction | Valeur | Pourcentage/Configuration |
|-------------------|-------|--------------|-----------|--|
| | | | 000 ⇔ 003 | Ouvert |
| | | | 004 ⇔ 006 | Gobo 1 |
| | | | 007 ⇔ 009 | Gobo 2 |
| | | | 010 ⇔ 012 | Gobo 3 |
| | | | 013 ⇔ 015 | Gobo 4 |
| | | | 016 ⇔ 018 | Gobo 5 |
| | | | 019 ⇔ 021 | Gobo 6 |
| | | | 022 ⇔ 024 | Gobo 7 |
| | | | 025 ⇔ 027 | Gobo 8 |
| | | | 028 ⇔ 030 | Gobo 9 |
| | | | 031 ⇔ 033 | Gobo 10 |
| | | | 034 ⇔ 036 | Gobo 11 |
| | | | 037 ⇔ 039 | Gobo 12 |
| | | | 040 ⇔ 042 | Gobo 13 |
| | | | 043 ⇔ 045 | Gobo 14 |
| | | | 046 ⇔ 048 | Gobo 15 |
| | | | 049 ⇔ 051 | Gobo 16 |
| | | | 052 ⇔ 055 | Gobo 17 |
| | | | 056 ⇔ 059 | Ouvert |
| | | | 060 ⇔ 063 | Gobo oscillant 1 |
| | | | 064 ⇔ 067 | Gobo oscillant 2 |
| | | | 068 ⇔ 071 | Gobo oscillant 3 |
| | | | 072 ⇔ 075 | Gobo oscillant 4 |
| | | | 076 ⇔ 079 | Gobo oscillant 5 |
| | | | 080 ⇔ 083 | Gobo oscillant 6 |
| | | | 084 ⇔ 087 | Gobo oscillant 7 |
| | | | 088 ⇔ 091 | Gobo oscillant 8 |
| | | | 092 ⇔ 095 | Gobo oscillant 9 |
| | | | 096 ⇔ 099 | Gobo oscillant 10 |
| | | | 100 ⇔ 103 | Gobo oscillant 11 |
| | | | 104 ⇔ 107 | Gobo oscillant 12 |
| | | | 108 ⇔ 111 | Gobo oscillant 13 |
| | | | 112 ⇔ 115 | Gobo oscillant 14 |
| | | | 116 ⇔ 119 | Gobo oscillant 15 |
| | | | 120 ⇔ 123 | Gobo oscillant 16 |
| | | | 124 ⇔ 127 | Gobo oscillant 17 |
| | | | 128 ⇔ 189 | Rotation dans le sens contraire des aiguilles d'une montre de rapide à lent |
| | | | 190 ⇔ 193 | Arrêt |
| | | | 194 ⇔ 255 | Rotation dans le sens des aiguilles d'une montre de lent à rapide |
| | 10 | Roue de Gobo | | |

Valeurs DMX (suite)

| Mode 2 (suite) | Canal | Fonction | Valeur | Pourcentage/Configuration |
|---------------------------|--------------|------------------------------|--|--|
| | 11 | Prisme | 000 ⇔ 004 005 ⇔ 255 | Pas de fonction Effets de prisme |
| | 12 | Rotation de Prisme | 000 ⇔ 127 128 ⇔ 189 190 ⇔ 193 194 ⇔ 255 | Index Rotation dans le sens des aiguilles d'une montre de rapide à lent Arrêt Rotation dans le sens contraire des aiguilles d'une montre de lent à rapide |
| | 13 | Zoom du Prisme | 000 ⇔ 255 | 0~100% |
| | 14 | Mise au Point | 000 ⇔ 255 | 0~100% |
| | 15 | Effet Dépoli | 000 ⇔ 255 | 0~100% |
| | 16 | Macro de Pan/Tilt | 000 ⇔ 007 008 ⇔ 015 016 ⇔ 023 024 ⇔ 031 032 ⇔ 039 040 ⇔ 047 048 ⇔ 055 056 ⇔ 063 064 ⇔ 071 072 ⇔ 079 080 ⇔ 087 088 ⇔ 095 096 ⇔ 103 104 ⇔ 111 112 ⇔ 119 120 ⇔ 127 128 ⇔ 135 136 ⇔ 143 144 ⇔ 151 152 ⇔ 159 160 ⇔ 167 168 ⇔ 175 176 ⇔ 183 184 ⇔ 191 192 ⇔ 199 200 ⇔ 207 208 ⇔ 215 216 ⇔ 223 224 ⇔ 127 232 ⇔ 189 240 ⇔ 193 248 ⇔ 255 | Pas de fonction Macro 1 Macro 2 Macro 3 Macro 4 Macro 5 Macro 6 Macro 7 Macro 8 Macro 9 Macro 10 Macro 11 Macro 12 Macro 13 Macro 14 Macro 15 Macro 16 Macro 17 Macro 18 Macro 19 Macro 20 Macro 21 Macro 22 Macro 23 Macro 24 Macro 25 Macro 26 Macro 27 Macro 28 Macro 29 Macro 30 Macro 31 |
| | 17 | Vitesse de Macro de Pan/Tilt | 000 ⇔ 255 | 0~100% |

Valeurs DMX (suite)

| Mode 2 (suite) | Canal | Fonction | Valeur | Pourcentage/Configuration |
|-------------------|----------|----------|-----------|--|
| 18 | Commande | | 000 ⇔ 029 | Pas de fonction |
| | | | 030 ⇔ 039 | Mode conventionnel de gradation |
| | | | 040 ⇔ 049 | Mode linéaire de gradation |
| | | | 050 ⇔ 059 | Mode rapide pan/tilt |
| | | | 060 ⇔ 069 | Mode normal pan/tilt |
| | | | 070 ⇔ 079 | Mode noir général pan/tilt activé |
| | | | 080 ⇔ 089 | Mode noir général pan/tilt désactivé |
| | | | 090 ⇔ 099 | Mode noir général changement de couleurs activé |
| | | | 100 ⇔ 109 | Mode noir général changement de couleurs désactivé |
| | | | 110 ⇔ 119 | Mode noir général changement de gobo activé |
| | | | 120 ⇔ 129 | Mode noir général changement de gobo désactivé |
| | | | 130 ⇔ 139 | Lampe allumée |
| | | | 140 ⇔ 149 | Réinitialisation de pan/tilt |
| | | | 150 ⇔ 159 | Réinitialisation de couleur |
| | | | 160 ⇔ 169 | Réinitialisation de gobo |
| | | | 170 ⇔ 179 | Réinitialisation d'obturateur/de prisme |
| | | | 180 ⇔ 189 | Pas de fonction |
| | | | 190 ⇔ 199 | Réinitialisation de zoom/mise au point/effet dépoli |
| | | | 200 ⇔ 209 | Tout réinitialiser |
| | | | 210 ⇔ 219 | Activation de tous les modes de mouvement en noir général |
| | | | 220 ⇔ 229 | Désactivation de tous les modes de mouvement en noir général |
| | | | 230 ⇔ 239 | Lampe éteinte |
| | | | 240 ⇔ 255 | Pas de fonction |

Contact Us

World Headquarters

CHAUVET®

General Information

Address: 5200 NW 108th Avenue
Sunrise, FL 33351
Voice: (954) 577-4455
Fax: (954) 741-5571
Toll free: (800) 762-1084

Technical Support

Voice: (954) 577-4455 (Press 4)
Fax: (954) 756-8015
Email: tech@chauvetlighting.com

World Wide Web

www.chauvetlighting.com

United Kingdom and Ireland

CHAUVET® Europe Ltd.

General Information

Address: Unit 1C
Brookhill Road Industrial Estate
Pinxton, Nottingham, UK
NG16 6NT
Voice: +44 (0)1773 511115
Fax: +44 (0)1773 511110

Technical Support

Email: uktech@chauvetlighting.com

World Wide Web

www.chauvetlighting.co.uk



RoHS

