



Description

The Lyzard-KZ11 is an ultra-miniature point source speaker that belongs to the smallest mid-high families of K-array. Its new design features a compact, milled aluminum enclosure measuring 2.2 x 3.7 x 1.1 cm weighing just 21g. The speaker boasts a single 0.5" long-excursion neodymium magnet transducer that ensures uncompromising audio performance with minimal residual noise.

The Lyzard-KZ11 is the finest solution of audio technology especially when it must be kept hidden out of sight in the environment or decor. With a horizontal and vertical coverage of 140° and a frequency response ranging from 500 Hz up to 18kHz, the KZ11 delivers clear audio reproduction and excellent intelligibility. Its peak SPL of 86 dB is impressive for a speaker of such a small size.

To complete the frequency range of your audio systems, the Lyzards must be combined with one or more Truffle or Rumble subwoofers, driven by a Kommander-KA amplifier.

For a complete audio system, the Lyzards must be combined with one or more Truffle or Rumble subwoofers, powered by a Kommander-KA amplifier. Moreover, all Lyzard loudspeakers can be customized with any RAL color painting or come in different premium finishes to enhance their impressive aesthetics. These finishes include polished aluminium, 24K gold, rose gold, or antique gold plating, which can be

The front of the loudspeaker's tiny cabinet is protected by a magnet grill that can be removed with a small neodymium magnet included in the package. The real panel incorporates a small two-pole screw euro-block connector, so no specific connector is needed. The Lyzard KZ11 is the perfect products to integrate audio in retail, small lounges and bars, home residences, hotels, and museums, leaving both your eyes fulfilled and your ears satisfied with their unique and sleek design.

The main product models and codes are:

KZ11 black model

KZ1W1 white model

KZ1X1 (KZ1XP, KZ1XG) custom and premium finish models

- 1x 0.5" long excursion neodymium transducer
- 500 Hz-18kHz high bright frequency response
- Euroblock connector incorporated
- 140° H/V coverage
- 86 dB SPL (peak)
- pocket size, resistant, durable
- discreet
- new design and premium finishes

All Lyzard KZ11 components are designed by the K-array R&D department and are custom-made under the K-array quality control system in Italy.

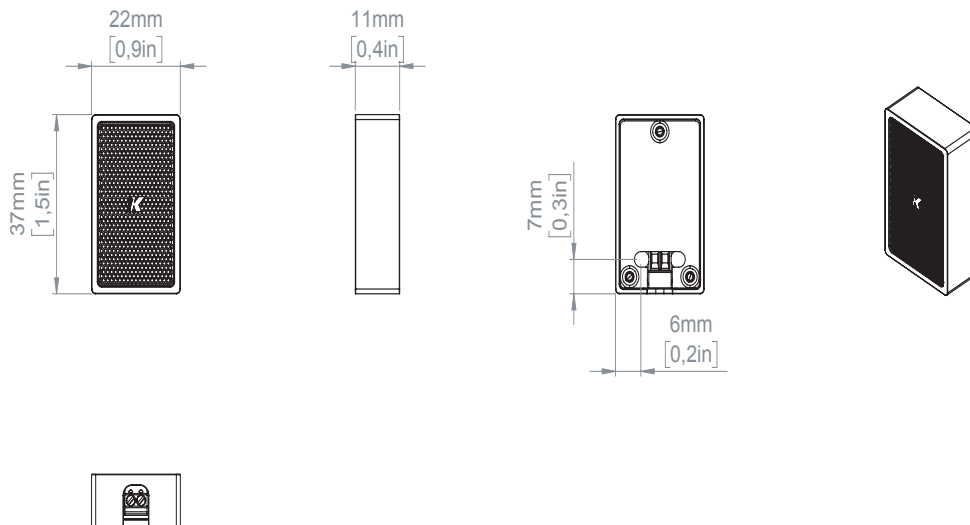
Lyzard-KZ11

Technical specifications	
Type	point source
Transducers	0.5" Neodymium magnet woofer
Frequency Response ¹	500 Hz - 18 kHz (-6 dB)
Max SPL ²	86 dB peak
Coverage	V. 140° H. 140°
Nominal Impedance	16 Ω
Power Handling	3.5 W
Connectors	IN + IN- screw terminals

Handling & Finishes	
Material	Aluminum
Colors	Black, White, Custom RAL
IP Rating	IP64
Dimensions (WxHxD)	22 x 37 x 11 mm (0.9 x 1.5 x 0.4 in)
Finishes	24K Gold, Antique Gold, Rose Gold, Polished Steel
Weight	0.021 kg (0.04 lb)

¹ With dedicated preset.

² Maximum SPL is calculated using a signal with crest factor 4 (12dB) measured at 8 m then scaled at 1 m.



Notes:

Passive loudspeakers require dedicated presets loaded onboard K-array amplifiers.
 New materials and designs are introduced into existing products without previous notice.
 Present systems may differ in some respects from those presented in this catalog.

