

MAVERICK SILENS 1X PROFILE

User Manual



Model ID: MAVERICKSILENS1XPROFILE

CHAUVET
PROFESSIONAL

Edition Notes

The Maverick Silens 1X Profile User Manual includes a description, safety precautions, installation, programming, operation and maintenance instructions for the Maverick Silens 1X Profile as of the release date of this edition.

Trademarks

Chauvet, Chauvet Professional, the Chauvet logo, Maverick, and Maverick Silens are registered trademarks or trademarks of Chauvet & Sons, LLC (d/b/a Chauvet and Chauvet Lighting) in the United States and other countries. Other company and product names and logos referred to herein may be trademarks of their respective companies.

Copyright Notice

The works of authorship contained in this manual, including, but not limited to, all designs, text, and images are owned by Chauvet.

© Copyright 2024 Chauvet & Sons, LLC. All rights reserved.

Electronically published by Chauvet in the United States of America.

Manual Use

Chauvet authorizes its customers to download and print this manual for professional information purposes only. Chauvet expressly prohibits the usage, copy, storage, distribution, modification, or printing of this manual or its content for any other purpose without written consent from Chauvet.

Document Printing

For best results, print this document in color, on letter size paper (8.5 x 11 in), double-sided. If using A4 paper (210 x 297 mm), configure the printer to scale the content accordingly.

Intended Audience

Any person installing, operating, and/or maintaining this product should completely read through the guide that shipped with the product, as well as this manual, before installing, operating, or maintaining this product.

Disclaimer

Chauvet believes that the information contained in this manual is accurate in all respects. However, Chauvet assumes no responsibility and specifically disclaims any and all liability to any party for any loss, damage or disruption caused by any errors or omissions in this document, whether such errors or omissions result from negligence, accident or any other cause. Chauvet reserves the right to revise the content of this document without any obligation to notify any person or company of such revision, however, Chauvet has no obligation to make, and does not commit to make, any such revisions.

Document Revision

Go to www.chauvetprofessional.com for the latest version.

Revision	Date	Description
4	10/2024	Updated specs.

TABLE OF CONTENTS

1. Before You Begin	1
What Is Included	1
Claims	1
Text Conventions	1
Symbols	1
Safety Notes.....	2
FCC Statement of Compliance	3
RF Exposure Warning for North America and Australia.....	3
Expected LED Lifespan.....	3
2. Introduction	4
Description	4
Features	4
Product Overview.....	4
Product Dimensions	5
3. Setup	7
AC Power	7
AC Plug	7
Fuse Replacement	7
Power Linking.....	7
Signal Connections	7
Control Personalities	7
DMX Linking.....	8
Remote Device Management	8
Art-Net™ Connection	8
sACN Connection.....	8
Lumenradio CRMX™ Connection	9
Initial Setup	9
Configuration.....	9
Product Pairing	9
USB Software Update	10
Fixture To Fixture Software Update	10
Mounting	11
Orientation.....	11
Rigging	11
Procedure.....	11
Color Wheel	12
Rotating Gobo Dimensions	12
Gobo Designs	13
Gobo Replacement	14
Procedure.....	14
Gobo Replacement Diagrams	14
4. Operation	15
Touchscreen Control Panel.....	15
Control Panel Description	15
Battery Powered Display.....	15
Home Screen	15
Control Panel Lock.....	15

Passcode	15
Technician Mode	15
Menu Map	16
Control Configuration	20
Control Mode	20
Control Personalities	20
Starting Address	20
Network Setup	20
IP Mode	20
Universe	20
Manual IP Address	20
Subnet Mask	21
Control Channel Assignments and Values	21
Settings Configuration	24
Absolute Silent Mode	24
Steady Mode	24
Red Shift	24
Pan Reverse	24
Tilt Reverse	24
Screen Reverse	24
Pan Angle	24
Tilt Angle	24
Black out on Movement	24
Touchscreen Calibration	25
Touchscreen Lock	25
Swap Pan and Tilt	25
CRMX™ Reset	25
Display Backlight Timer	25
Loss of Data	25
Dimmer Curve	25
Dimmer Speed	25
Pulse Width Modulation	25
Preset Selection	26
Preset Synchronization	26
Reset Function	26
Factory Reset	26
Test Mode	27
Auto Test	27
Manual Test	27
System Information	27
Zero Adjust Mode	27
Web Server	28
Error Codes	29
5. Maintenance	31
Product Maintenance	31
Gobo Maintenance	31
Transporting on Truss or Racks	32
6. Technical Specifications	33
Contact Us	34
Warranty & Returns	34

Before You Begin

1. Before You Begin

What Is Included

- Maverick Silens 1X Profile
- Seetronic Powerkon IP65 power cable
- 2 Omega brackets with mounting hardware
- Gel frame holder with gel frame
- Quick Reference Guide

Claims

Carefully unpack the product immediately and check the container to make sure all the parts are in the package and are in good condition.




If the box or the contents (the product and included accessories) appear damaged from shipping, or show signs of mishandling, notify the carrier immediately, not Chauvet. Failure to report damage to the carrier immediately may invalidate the claim. In addition, keep the box and contents for inspection.

For other issues, such as missing components or parts, damage not related to shipping, or concealed damage, file a claim with Chauvet within 7 days of delivery.

Text Conventions

Convention	Meaning
1–512	A range of values
50/60	A set of values of which only one can be chosen
Settings	A menu option not to be modified
<ENTER>	A key to be pressed on the product's control panel

Symbols

Symbol	Meaning
	Critical installation, configuration, or operation information. Not following these instructions may make the product not work, cause damage to the product, or cause harm to the operator.
	Important installation or configuration information. The product may not function correctly if this information is not used.
	Useful information.

The term “DMX” used throughout this manual refers to the USITT DMX512-A digital data transmission protocol.

Connection of the control signal: DMX line



- The product has XLR sockets for DMX input and output.
- **Notice:** This control circuit is isolated and belongs to the Class 2 data port.
- The control circuit has a cumulative leakage current of less than 3.5 mA.

Safety Notes

Read all the following safety notes before working with this product. These notes contain important information about the installation, usage, and maintenance of this product.



This product contains no user-serviceable parts. Any reference to servicing in this User Manual will only apply to properly trained, certified technicians. Do not open the housing or attempt any repairs.



All applicable local codes and regulations apply to proper installation of this product.

- The luminaire is intended for professional use only.
- The luminaire should be positioned so that prolonged staring into the luminaire at a distance closer than 7.5 ft (2.3 m) is not expected.
- If the external flexible cable or cord of this luminaire is damaged, it shall be replaced by a special cord or cord exclusively available from the manufacturer or its service agent.
- The light source contained in this luminaire shall only be replaced by the manufacturer or its service agent or a similar qualified person.
- **CAUTION:**
 - This product's housing may be hot when operating. Mount this product in a location with adequate ventilation, at least 20 in (50 cm) from adjacent surfaces.
 - When transferring the product from extreme temperature environments, (e.g., cold truck to warm humid ballroom) condensation may form on the internal electronics of the product. To avoid causing a failure, allow the product to fully acclimate to the surrounding environment before connecting it to power.
 - Flashing light is known to trigger epileptic seizures. User must comply with local laws regarding notification of strobe use.
- **ALWAYS:**
 - Disconnect from power before cleaning the product or replacing the fuse.
 - Replace the fuse with the same type and rating.
 - Use a safety cable when mounting this product overhead.
 - Connect this product to a grounded and protected circuit.
- **DO NOT:**
 - Open this product. It contains no user-serviceable parts.
 - Look at the light source when the product is on.
 - Leave any flammable material within 20 cm of this product while operating or connected to power.
 - Connect this product to a dimmer or rheostat.
 - Operate this product if the housing, lenses, or cables appear damaged.
 - Operate this product outdoors or in any location where dust, excessive heat, water, or humidity may affect it (adhere to standards for the published IP rating).
- **ONLY** use the handles or the hanging/mounting brackets to carry this product.
- The maximum ambient temperature is 113 °F (45 °C). Do not operate this product at higher temperatures.
- The minimum startup temperature is -4°F (-20°C). Do not start the product at lower temperatures.
- The minimum ambient temperature is -22°F (-30°C). Do not operate the product at lower temperatures.
- To eliminate unnecessary wear and improve its lifespan, during periods of non-use completely disconnect the product from power via breaker or by unplugging it.
- In the event of a serious operating problem, stop using immediately.



If a Chauvet product requires service, contact Chauvet Technical Support.

Before You Begin

FCC Statement of Compliance

This device complies with Part 15 Part B of the FCC rules. Operation is subject to the following two conditions:

1. This device may not cause harmful interference, and
2. This device must accept any interference received, including interference that may cause undesired operation.

This equipment has been tested and found to comply with the limits for a Class B digital device, pursuant to Part 15 of the FCC Rules. These limits are designed to provide reasonable protection against harmful interference in a residential installation. This equipment generates uses and can radiate radio frequency energy and, if not installed and used in accordance with the instructions, may cause harmful interference to radio communications. However, there is no guarantee that interference will not occur in a particular installation. If this equipment does cause harmful interference to radio or television reception, which can be determined by turning the equipment off and on, the user is encouraged to try to correct the interference by one or more of the following measures:

- Reorient or relocate the receiving antenna.
- Increase the separation between the equipment and receiver.
- Connect the equipment into an outlet on a circuit different from that to which the receiver is connected.
- Consult the dealer or an experienced radio/TV technician for help.

Any changes or modifications not expressly approved by the party responsible for compliance could void the user's authority to operate the equipment.

RF Exposure Warning for North America and Australia

Warning! This equipment complies with FCC radiation exposure limits set forth for an uncontrolled environment. This equipment should be installed and operated with a minimum distance of 20 cm between the radiator and the user. This transmitter must not be co-located or operating in conjunction with any other antenna or transmitter.

Expected LED Lifespan

Over time, use and heat will gradually reduce LED brightness. Clustered LEDs produce more heat than single LEDs, contributing to shorter lifespans if always used at full intensity. The average LED lifespan is 40,000 to 50,000 hours. To extend LED lifespan, maintain proper ventilation around the product, and limit the overall intensity.

2. Introduction

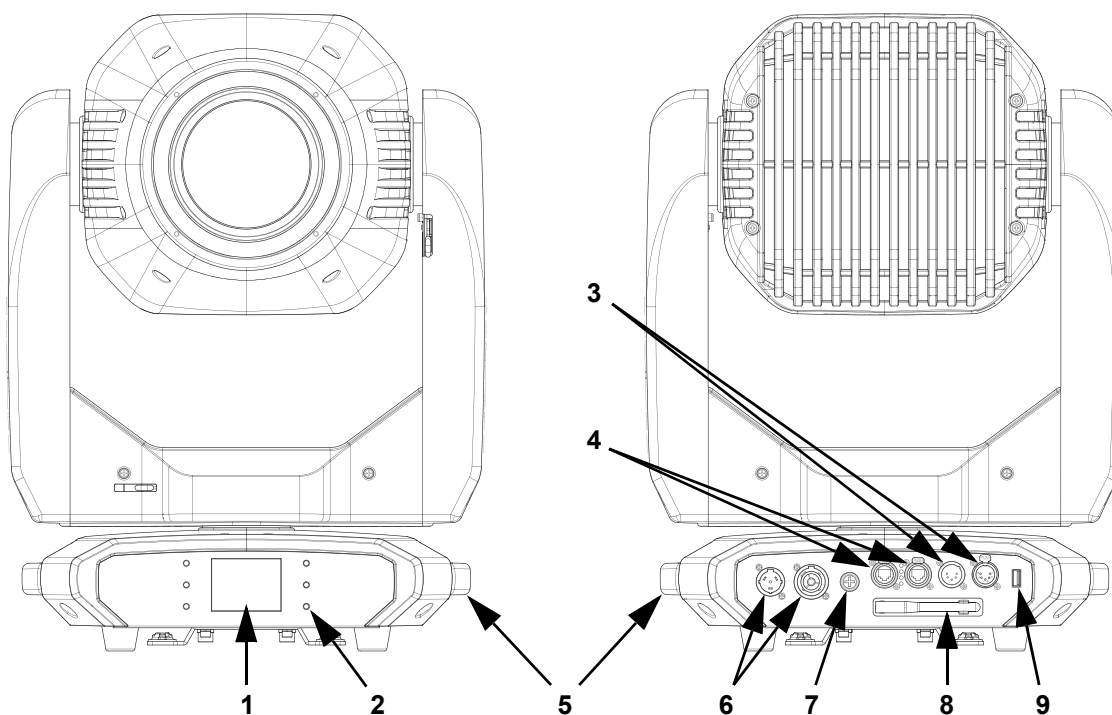
Description

The Maverick Silens 1X Profile is a compact member of the award-winning Silens series. A 420W 96+ CRI LED offers the highest quality of light, flawless 16-bit dimming, selectable red shift, dimming curves, and accurate color rendering. Completely fan-less operation makes this totally silent fixture ideal for the most demanding theatre and studio applications. The Maverick Silens 1X Profile features a single rotating gobo wheel, variable CMY + CTO, precise 4-blade shutter framing, and a full effects wheelhouse. Control via Art-Net, sACN, DMX, RDM or CRMX™.

Features

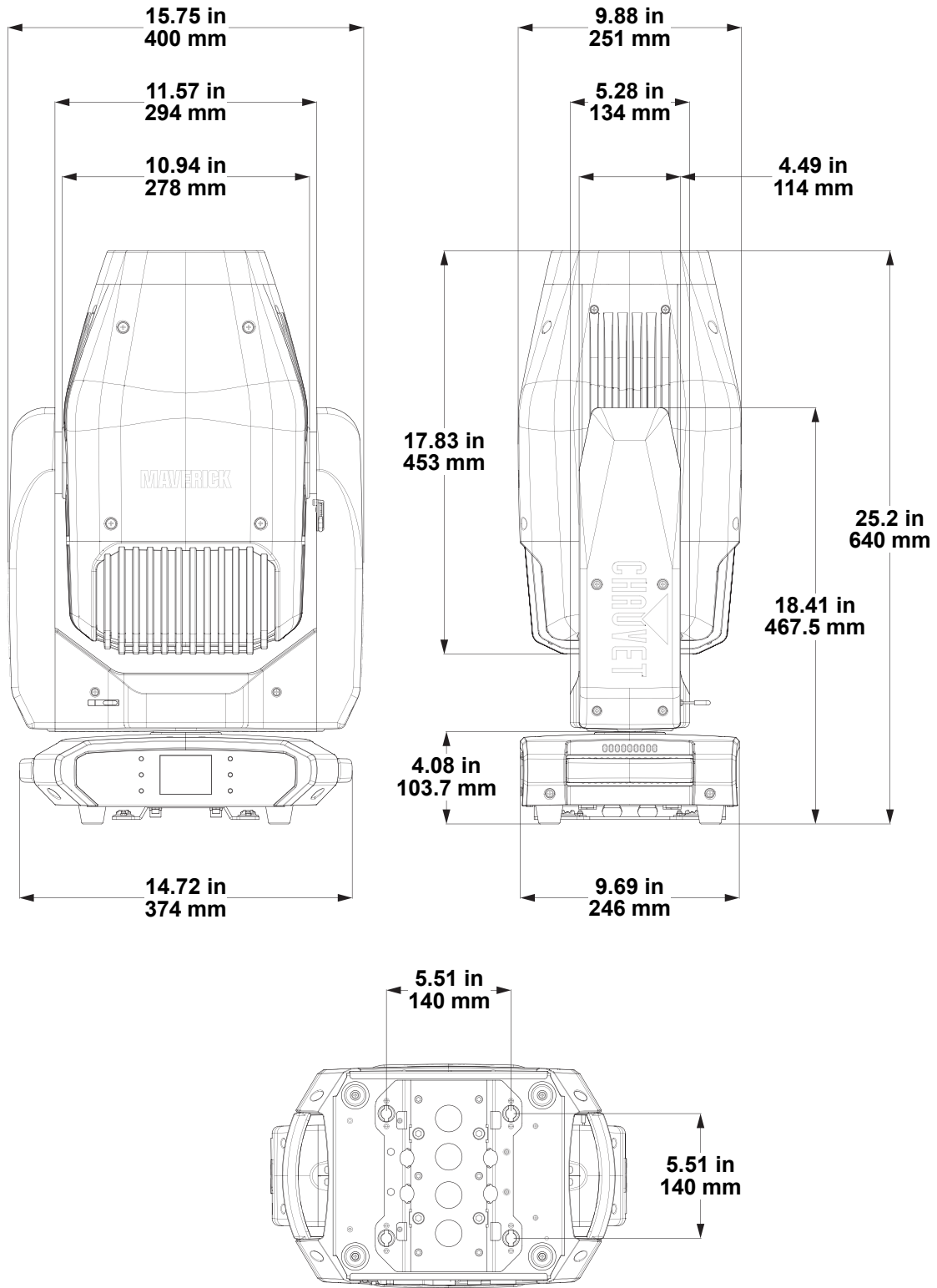
- Completely silent, fully featured 420 W 96+ CRI LED yoke profile fixture including CMY+CTO color mixing, a four-blade framing shutter system with rotation, a color wheel, animation wheel, a 10:1 zoom, prism, variable frost, as well as static and a rotating gobo wheel.
- 100% convection cooled for zero fan noise along with silent motion and effects
- 16-bit dimming with selectable red shift of master dimmer for smooth control of fades
- Variable CMY + CTO color mixing system to create a wide pallet of colors
- One rotating gobo wheel with unique, theatrical based designs
- Variable frost system
- + or – 60 degrees rotation framing shutter system to allow for better framing positioning.
- Animation wheel for enhanced visual effects
- Iris for total beam control
- RDM control over DMX for fixture reporting
- 6° to 56.2° zoom angle for variable beam sizes
- True 1 compatible power input and throughput
- Battery backup display with auto-rotate depending on fixture orientation

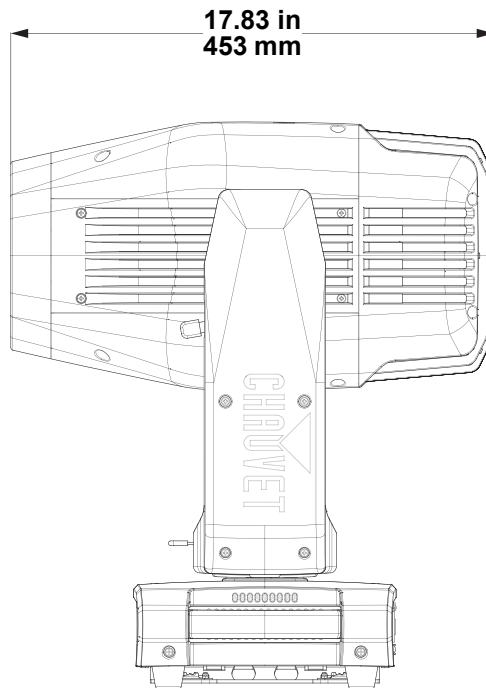
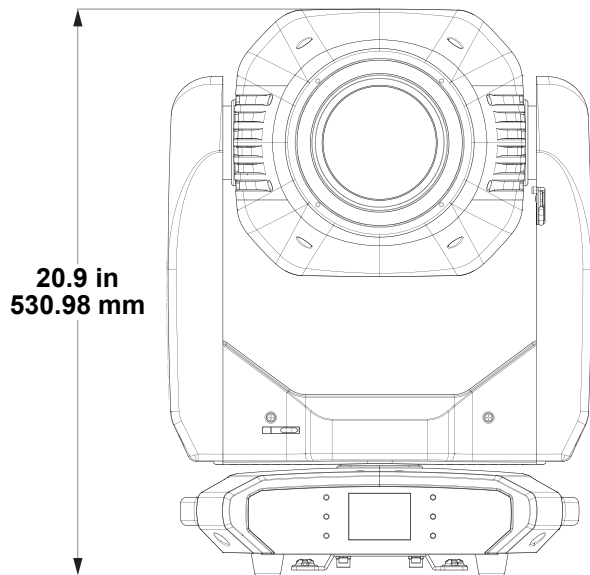
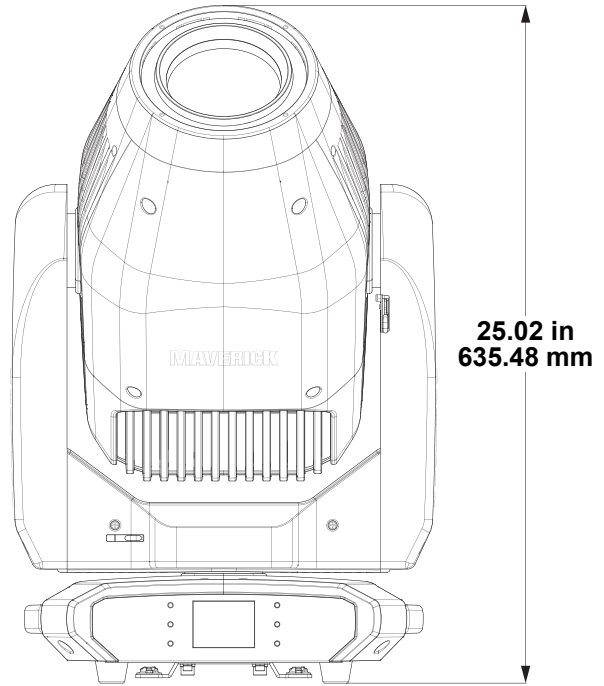
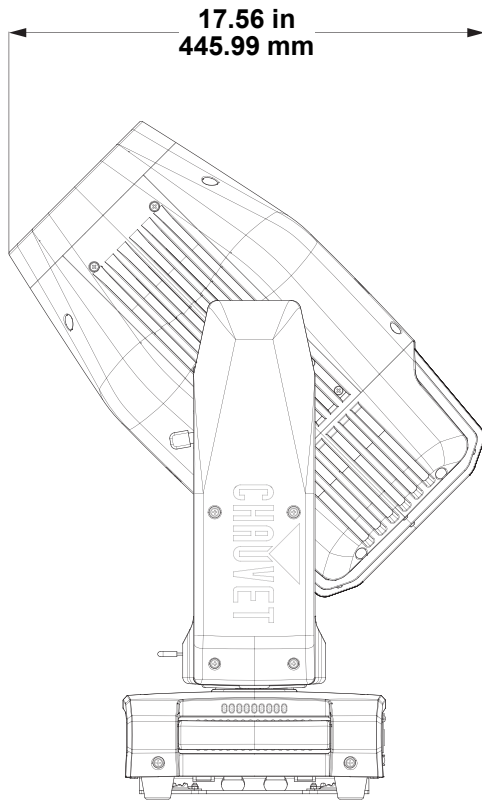
Product Overview



#	Name	#	Name	#	Name
1	LCD display	4	Ethernet ports	7	Fuse holder
2	Menu buttons	5	Carry handle	8	Antenna
3	DMX in/out	6	Power in/out	9	USB-C port

Product Dimensions





3. Setup

AC Power

The Maverick Silens 1X Profile has an auto-ranging power supply and it can work with an input voltage range of 100 to 240 VAC, 50/60 Hz.

To determine the product's power requirements (circuit breaker, power outlet, and wiring), use the current value listed on the label affixed to the product's back panel, or refer to the product's specifications chart. The listed current rating indicates the product's average current draw under normal conditions.



- **Always connect the product to a protected circuit (a circuit breaker or fuse). Make sure the product has an appropriate electrical ground to avoid the risk of electrocution or fire.**
- **To eliminate unnecessary wear and improve its lifespan, during periods of non-use completely disconnect the product from power via breaker or by unplugging it.**



Never connect the product to a rheostat (variable resistor) or dimmer circuit, even if the rheostat or dimmer channel serves only as a 0 to 100% switch.

AC Plug

The Maverick Silens 1X Profile comes with a power input cable terminated with a Seetronic Powerkon A connector on one end and an Edison plug on the other end (U.S. market). If the cable has no plug or it is necessary to change the plug, use the table below to wire a plug.

Connection	Wire (U.S.)	Wire (Europe)	Screw Color
AC Live	Black	Brown	Yellow or Brass
AC Neutral	White	Blue	Silver
AC Ground	Green/Yellow	Green/Yellow	Green

Fuse Replacement

1. Disconnect this product from the power outlet.
2. Using a Phillips-head screwdriver, unscrew the fuse holder cap from the housing.
3. Remove the blown fuse and replace with another fuse of the same type and rating (T5 A, 250 V).
4. Screw the fuse holder cap back in place and reconnect power.

Power Linking

It is possible to power link Maverick Silens 1X Profile products. See the table below for the current draw at each voltage and frequency:

	100 V, 60 Hz	120 V, 60 Hz	208 V, 60 Hz	230 V, 50 Hz	240 V, 50 Hz
Current Draw	4.00 A	3.31 A	1.91 A	1.70 A	1.67 A

Never exceed 12 A on a single circuit. Power-linking cables can be purchased separately.

Signal Connections

The Maverick Silens 1X Profile can receive a DMX, Art-Net™, sACN, or a wireless Lumenradio CRMX™ signal. The product has 2 Amphenol XLR Net through ports and 5-pin DMX in and out ports. If using other compatible products with this product, it is possible to control each individually with a single controller.

Control Personalities

The Maverick Silens 1X Profile uses a 5-pin DMX data connection, Art-Net™, sACN, or wireless CRMX™ for its control personalities, **Dmx Mode 31 CH** and **Dmx Mode 39 CH**.

- Refer to the [Operation](#) chapter to learn how to configure the Maverick Silens 1X Profile to work in these personalities.
- The [Control Channel Assignments and Values](#) section provides detailed information regarding the control personalities.



For more information about DMX standards or the DMX cables needed to link this product to a DMX controller, download the DMX Primer from the Chauvet website:
www.chauvetprofessional.com.

DMX Linking

The Maverick Silens 1X Profile can link to a DMX controller using a 5-pin DMX connection or a CRMX connection. For more information about DMX, read the DMX primer at: https://www.chauvetprofessional.com/wp-content/uploads/2016/06/DMX_Primer.pdf.

Remote Device Management

Remote Device Management, or RDM, is a standard for allowing DMX-enabled devices to communicate bi-directionally along existing DMX cabling. Check the DMX controller's User Manual or with the manufacturer as not all DMX controllers have this capability. The Maverick Silens 1X Profile supports RDM protocol that allows feedback to make changes to menu map options.

Art-Net™ Connection

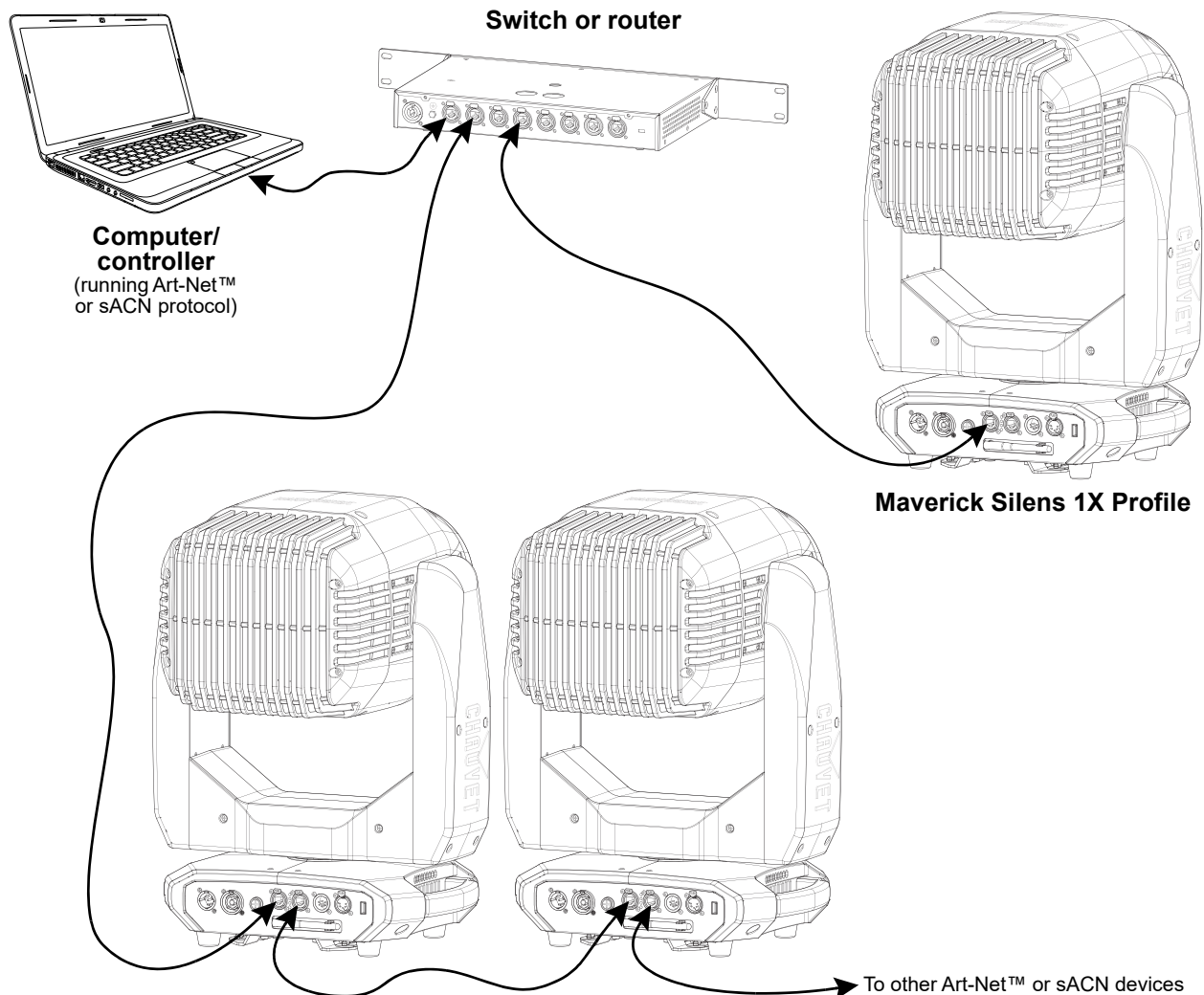
Art-Net™ is an Ethernet protocol that uses TCP/IP which transfers a large amount of DMX512 data using an ethernet connection over a large network. An Art-Net™ protocol document is available from www.chauvetprofessional.com.

Art-Net™ designed by and copyright Artistic Licence Holdings Ltd.

sACN Connection

Also known as ANSI E1.31, streaming ACN is an Ethernet protocol that uses the layering and formatting of Architecture for Control Networks to transport DMX512 data over IP or any other ACN compatible network.

Ethernet Connection Diagram



The three LED indicators in between the Ethernet through ports indicate a connection to a network and activity on that network. They do not indicate whether or not the Maverick Silens 1X Profile is receiving a signal from a controller.

Setup

Lumenradio CRMX™ Connection

In optimal conditions, the Maverick Silens 1X Profile can operate up to 300 m (900 ft) away from the CRMX™ transmitter. The CRMX™ receiver in the Maverick Silens 1X Profile must be paired with the CRMX™ transmitter for wireless operation.

Initial Setup

1. Turn the CRMX™ transmitter on.
2. Connect the CRMX™ transmitter to a DMX controller.
3. Place the Maverick Silens 1X Profile within 300 m from the CRMX™ transmitter.
4. Turn the Maverick Silens 1X Profile on.

Configuration

1. From the Maverick Silens 1X Profile's control panel, go to **DMX Address**.
2. Select the start address, as with any other DMX compatible product.
3. Go to **Settings > Control Mode**.
4. Select **CRMX**. (The Signal Strength Indicator will show a ? in front of the bars)
5. Press the reset button on the CRMX™ transmitter. (The Signal Strength Indicator on the Maverick Silens 1X Profile will show a 4 in front of the bars for 3 seconds while a connection is established.)

Product Pairing

If the Maverick Silens 1X Profile has already been paired with the CRMX™ transmitter, the Signal Strength Indicator on top of the display will show the strength of the signal. In this case, the Maverick Silens 1X Profile is ready to work in Wireless mode.

Pairing the Maverick Silens 1X Profile and a New CRMX™ Transmitter

1. From the Maverick Silens 1X Profile control panel, go to **Settings > WDMX Reset**.
2. Select **Yes**.
3. From the CRMX™ transmitter, press **<RESET>**. The signal indicator on the transmitter will flash.
4. Once the transmitter has found the Maverick Silens 1X Profile, the signal indicator on the CRMX™ transmitter will illuminate solid.
5. The display screen on the Maverick Silens 1X Profile will show the strength of the signal.

USB Software Update

The Maverick Silens 1X Profile allows for a software update through USB using the built-in USB port. To update the software using a USB flash drive, do the following:

1. Power on the product and plug the flash drive into the USB port.
2. Once the flash drive has been detected, the message **“Upgrade Firmware”** will be displayed. Press **<ENTER>**.
 - If a different message appears on the display, search for the update software in the menu (**USB Upgrade**) and select from **Only This Fixture**, **Multiple Fixture**, **Other Fixture Type**, or **Fixture to Fixture**. A list of the software update files will be displayed.



The **“Other Fixture Type”** option under **Upgrade Firmware** can only be selected for connected products compatible with the Upload 03 (the first 2 digits of the item code must be 03).

- See [Fixture To Fixture Software Update](#) for the **Fixture to Fixture** software update process.
3. Select the file that needs to be uploaded. The message **“Are you sure?”** will be displayed. Press **<ENTER>**.



If the selected file is incorrect, the upgrade will fail, and the display will go back to the main interface. Repeat steps 1-3 using the correct file.

4. If the selected file is correct, the update will start. DO NOT turn off power or disconnect the USB during the process. The USB update can take several minutes to complete.
5. When the update is complete, the product will automatically reboot.
6. Go to the **Information** level of the product menu map and confirm the firmware revision.
7. When the boot-up process is finished, restart the product.



- Place the **.chl** file in the root directory of the USB drive.
- The product’s USB port supports up to 32GB capacity and only works with FAT32 file format.



Turning off the power, removing the DMX cable, or not setting the fixture to the correct protocol during the update can cause partial or total software failure in the targeted fixture. The user will need an Upload 03 device to fix the software failure issues. Please contact Chauvet customer service for this device.

Fixture To Fixture Software Update

The Maverick Silens 1X Profile allows for a software update through a DMX cable from one Maverick Silens 1X Profile to another. To update the software using a DMX cable connection, follow the instructions below:

1. Power on the products.
2. Connect the DMX out of the Maverick Silens 1X Profile with the latest software to the DMX in of the Maverick Silens 1X Profile that needs to be updated.
3. Go to the **USB Upgrade** main level of the receiving product.
4. Select the **Fixture To Fixture** option.
5. A warning **“make sure no other signal, Network or DMX controller is being sent! and press enter key to start update”** will show on the display. Press **<ENTER>** to start the update.



- **DO NOT** turn off the power or disconnect the DMX cable during the process. The update can take several minutes to complete.
- **If the connected product is incorrect or has the incorrect software, the upgrade will fail, and the display will go back to the main interface. Repeat steps 1-5 using a Maverick Silens 1X Profile with valid software.**

6. If the connected product is valid, the update will start. DO NOT turn off power or disconnect the DMX cable during the process. The update can take several minutes to complete.
7. When the update is complete, the product will automatically reboot.
8. Go to the **Information** level of the product main menu and confirm the software update.



- **When updating software using Fixture To Fixture, make sure no other DMX signals or Ethernet signals are connected to the products.**
- **Turning off the power, removing the DMX cable, or not setting the fixture to the correct protocol during the update can cause partial or total software failure in the targeted fixture. The user will need an Upload 03 device to fix the software failure issues. Please contact Chauvet customer service for this device.**

Setup

Mounting

Before mounting the product, read and follow the safety recommendations indicated in the Safety Notes. For our Chauvet Professional line of mounting clamps, go to <http://trusst.com/products/>.

Orientation

Always mount this product in a safe position, making sure there is adequate room for ventilation, configuration, and maintenance.

Rigging

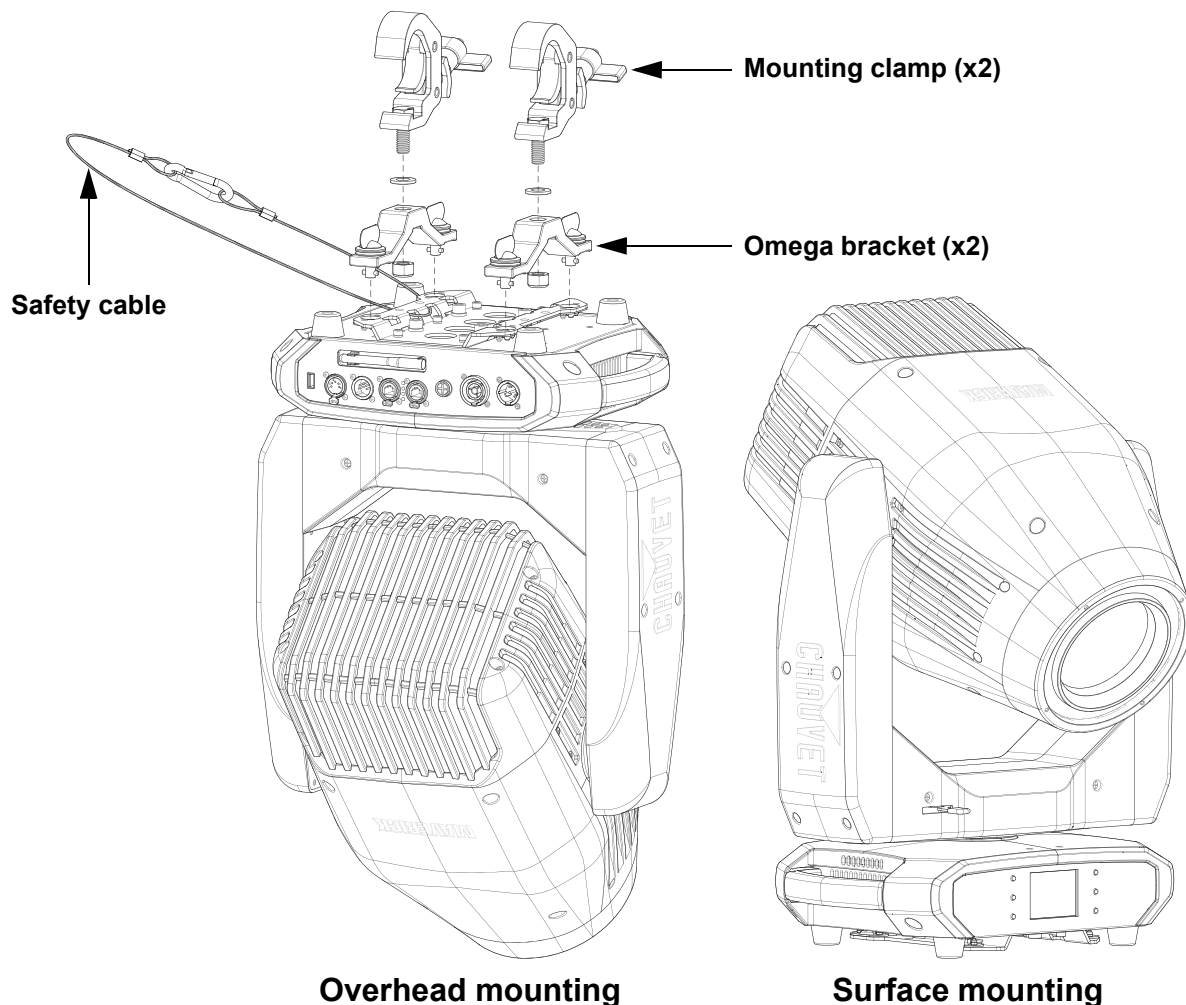
Chauvet recommends using the following general guidelines when mounting this product.

- Before deciding on a location for the product, make sure there is easy access to the product for maintenance and programming purposes.
- Make sure that the structure and attachment points can support the weight before hanging the product (see the [Technical Specifications](#) for weight information).
- When mounting the product overhead, always use a safety cable. Mount the product securely to a rigging point, whether an elevated platform or a truss.
- When rigging the product onto a truss, use a mounting clamp of appropriate weight capacity.

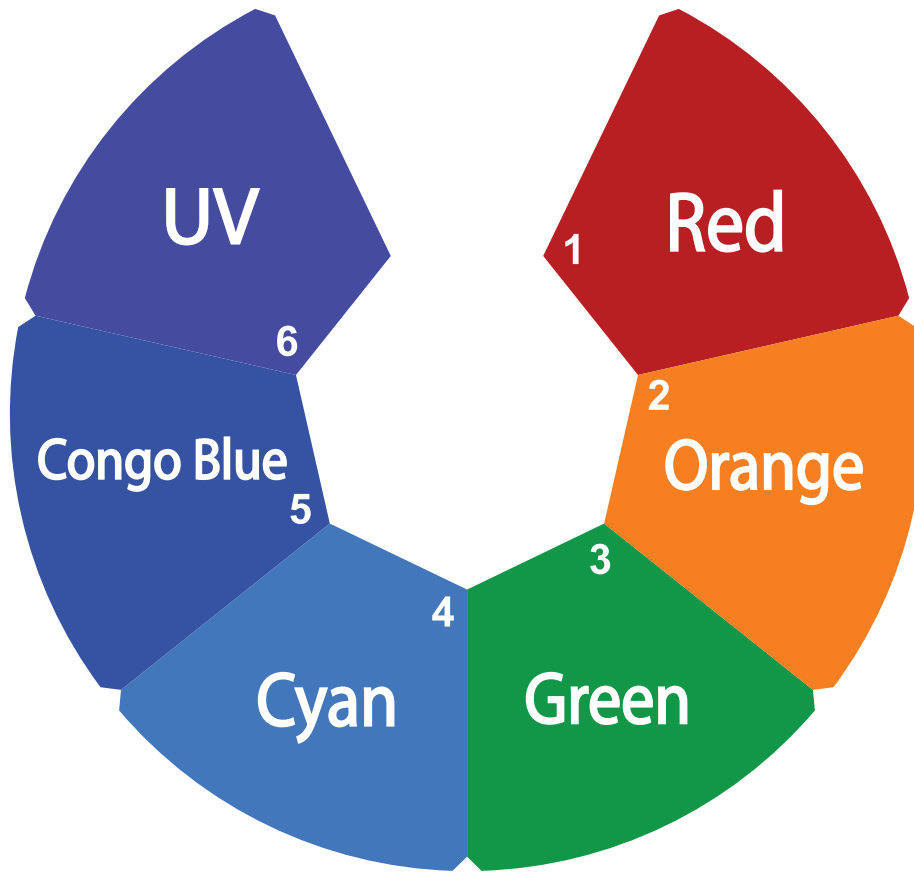
Procedure

The Maverick Silens 1X Profile comes with 2 Omega brackets to which the user can directly attach mounting clamps (sold separately). Make sure the clamps are capable of supporting the weight of this product. Use at least two mounting points per product. For the Chauvet Professional line of mounting clamps, go to <http://www.trusst.com/products>.

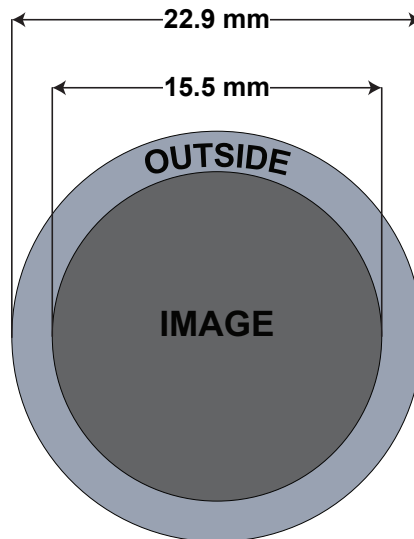
Mounting Diagram



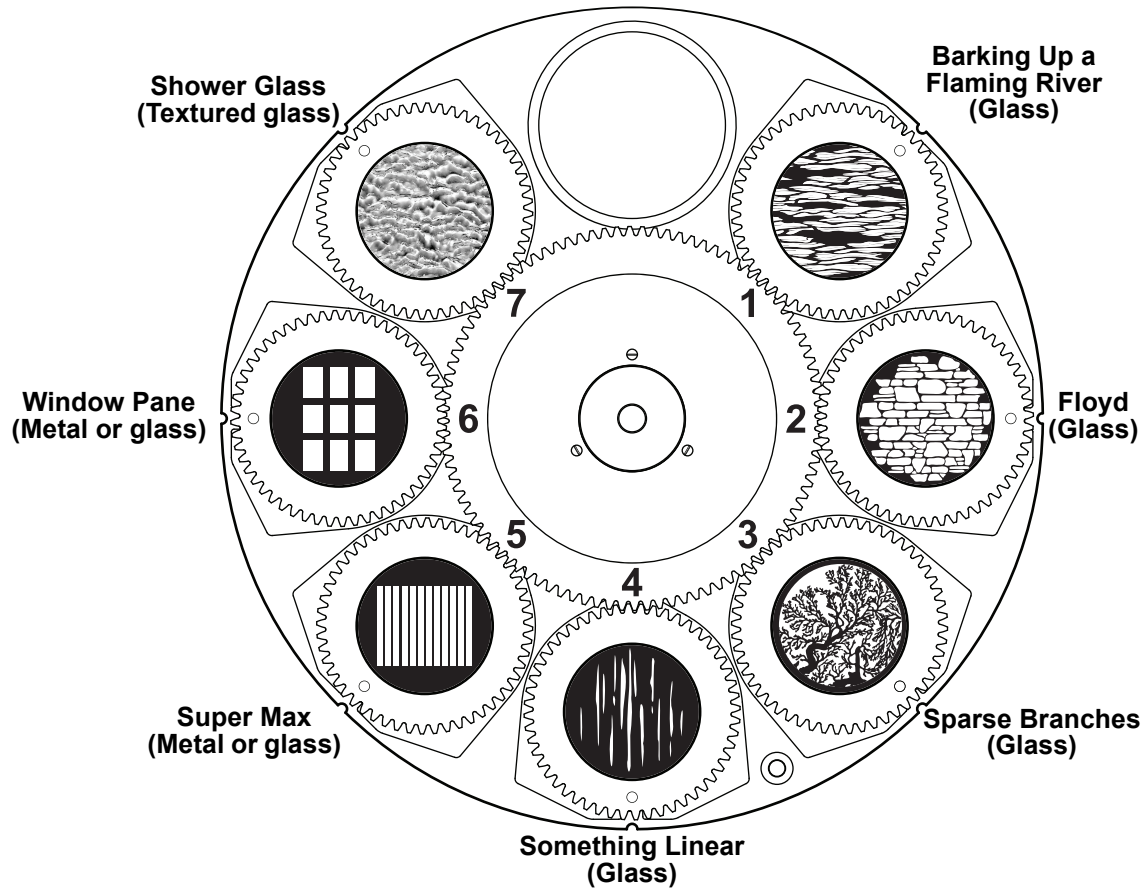
Color Wheel



Rotating Gobo Dimensions



Gobo Designs



Gobo Replacement

The gobos in the Maverick Silens 1X Profile are removable from their gobo holders.



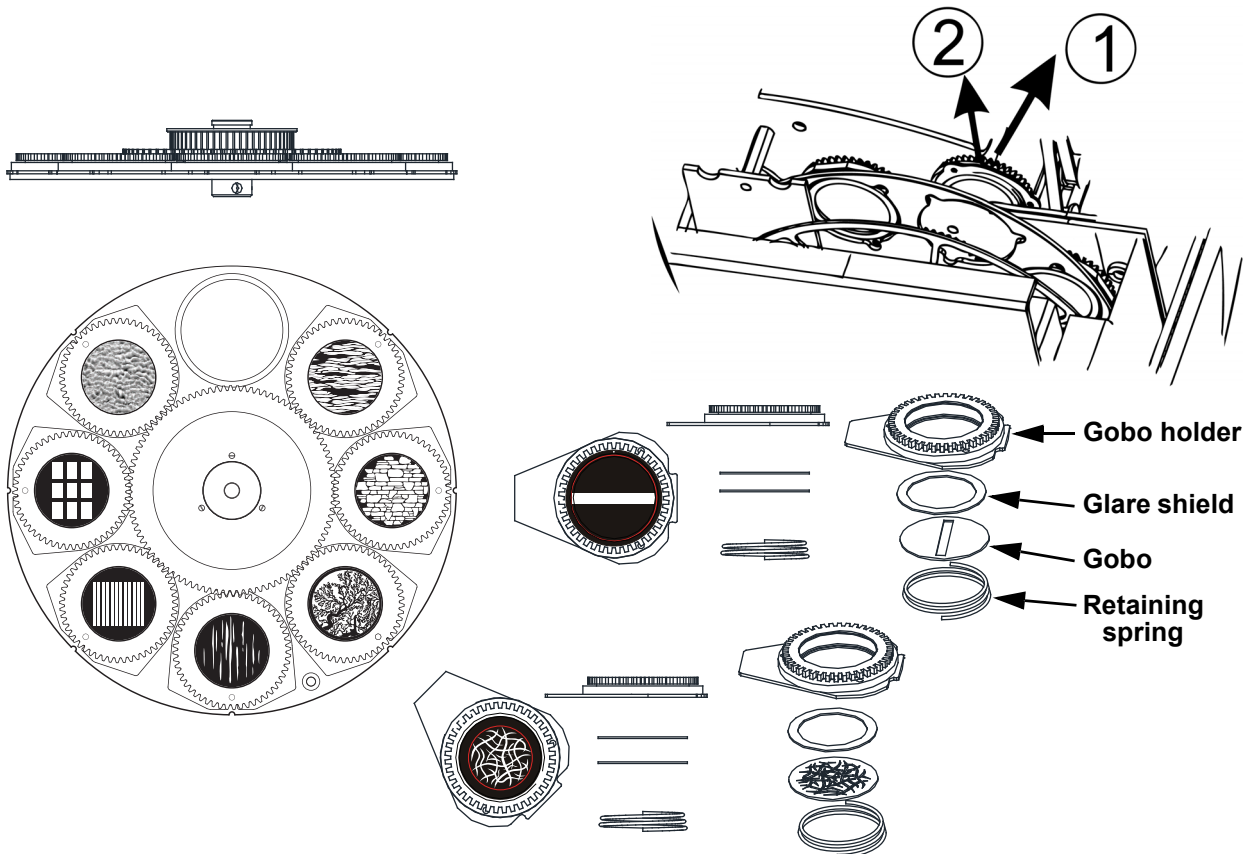
- **Make sure to disconnect the product's power cable before replacing a gobo.**
- **Always replace a gobo with a gobo of the same dimensions.**
- **When inserting a glass gobo, always make sure that the shiny side of the gobo (glass base) faces the lamp. This provides a layer of protection against the high temperature from the lamp.**
- **All custom gobos in the Maverick Silens 1X Profile gobo wheel 1 must be aluminum or glass.**

Procedure

Follow the recommended procedure below to remove or replace the gobos:

1. Turn the product off and disconnect it from the power outlet.
2. Open the head cover by loosening the screws on the sides of the top cover.
3. Separate the gobo holder away from the gobo wheel by pushing it toward the front of the moving head (see direction 1 in the diagram). Be careful not to push the gobo out of the gobo holder.
4. Extract the gobo holder by pulling it outward (see direction 2 in the diagram).
5. On a flat surface, remove the expansion ring that holds the gobo in place and remove the gobo from the gobo holder.
6. Insert a new gobo and hold it in place with the expansion ring.
7. Slide the tip of the gobo holder under the pressure plate near the center of the gobo wheel.
8. Push the gobo holder inwards. **DO NOT** force the gobo holder into the gobo wheel slot. If correctly installed, the gobo plate should easily slide itself into the gobo wheel slot.

Gobo Replacement Diagrams









- **Gobo illustrations are for reference purposes only. Gobo designs may differ from those installed in the product.**
- See [Gobo Designs](#) for which gobo holders can accommodate metal, glass, or either.
- See [Gobo Maintenance](#) for instructions on how to clean the gobos and gobo holder.

4. Operation

Touchscreen Control Panel

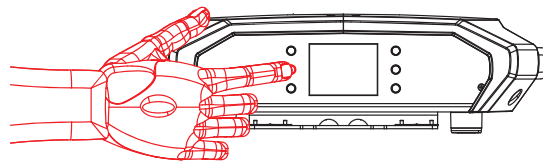
The Maverick Silens 1X Profile has a touchscreen display as well as 6 control buttons. Navigate the menu structure by pressing the buttons, touching the images of the buttons on the sides of the display, or touching the desired menu option on the display directly. The touchscreen can be locked and calibrated through the Setup options in the menu. (See [Touchscreen Calibration](#) and [Touchscreen Lock](#).)

Control Panel Description

Button	Name	Function
	<UP>	Navigates upwards through the menu list or increases the value when in a function
	<MENU>	Exits from the current menu or function
	<DOWN>	Navigates downwards through the menu list or decreases the value when in a function
	<LEFT>	Navigates leftwards through the menu list
	<ENTER>	Enables the currently displayed menu or sets the selected value into the function
	<RIGHT>	Navigates rightwards through the menu list

Battery Powered Display

The Maverick Silens 1X Profile has a battery powered display which enables access to the menu when the product is powered off. Press and hold <MENU> until the display activates (approximately 15 seconds).



Home Screen

The Maverick Silens 1X Profile has a home screen that shows the current control protocols, personalities, starting addresses, IP addresses, and universes. To see the home screen, press <MENU> repeatedly until it shows on the display. From the home screen, touch any of the displayed control settings to immediately jump to that part of the menu, such as the personality, starting address, or universe, or press <ENTER> to reach the main menu.

Control Panel Lock

The setting locks or unlocks the control panel.

1. Go to the **Settings** main level.
2. Select the **Lock Screen** option.
3. Select **No** (control panel stays unlocked) or **Yes** (locks control panel).



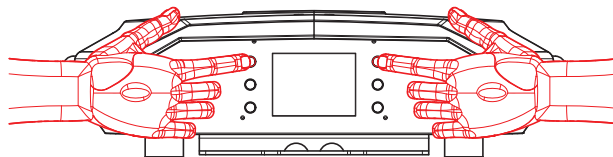
When the control panel lock is activated, the product will prompt for the passcode in order to access the menu. Enter the passcode as described below.

Passcode

After being prompted to enter the passcode, enter the numbers **0920**.

Technician Mode

The technician mode disables the pan/tilt motors, allowing the output of the product to be aimed by hand. To enable the technician mode, hold <UP> and <LEFT> while the product is powering on. When the product is turned off and back on, the pan and tilt will return to normal function.



Menu Map

Refer to the Maverick Silens 1X Profile product page on www.chauvetprofessional.com for the latest menu map and software.

Main Level	Programming Levels		Description
Address	001–512		Sets the starting address
Network Setup	IP Mode	Manual	Manually set IP address
		DHCP	Network sets IP address
		Static	Product sets IP address
	Universe	000–255 (Art-Net™) 001–256 (sACN)	Sets the universe
	Ip	_____ (000–255)	Sets the IP address in Manual mode
SubMask	_____ (000–255)	Sets the Subnet Mask in Manual mode	
Personality	Dmx Mode 1 31 CH	NO YES	Selects the 31-channel mode
	Dmx Mode 2 39 CH		Selects the 39-channel mode
Settings	Control Mode	DMX	Selects the DMX control protocol
		CRMX	Selects Lumenradio CRMX™
		ArtNet	Selects the Art-Net™ control protocol
		sACN	Selects the sACN control protocol
	Absolute Silent	No	Mechanisms move at full speed
		Yes	Slows all mechanisms for silence
	Steady Mode	Off	Full output
		Steady Mode1	Calibrates output for 26° C environment
		Steady Mode2	Calibrates output for 35° C environment
	Red Shift	No	Normal dimming
		Yes	Red shift dimming
	Pan Reverse	No	Normal pan
		Yes	Reversed pan
	Tilt Reverse	No	Normal tilt
		Yes	Reversed tilt
	Screen Reverse	No	Normal screen display
		Yes	Inverted screen display
		Auto	Automatic display orientation
	Pan Angle	540	540° pan range
		360	360° pan range
		180	180° pan range
		90	90° pan range
	Tilt Angle	270	270° tilt range
		180	180° tilt range
		090	90° tilt range
	BL. O. P/T Move	No	Enable/disable blackout while panning/tilting
		Yes	
BL. O. Color Move	No	Enable/disable blackout while color wheel is moving	
	Yes		
BL. O. Gobo Move	No	Enable/disable blackout while gobo wheels are moving	
	Yes		
Touch Calibration	No	Cancel calibration	
	Yes	Calibrate touchscreen	

Main Level	Programming Levels		Description
Settings (cont.)	Touch Lock	No	Touch screen enabled
		Yes	Touch screen disabled
	Lock Screen	No	Lock the buttons
		Yes	Passcode: 0920
	Swap XY	No	Do not swap pan and tilt
		Yes	Pan controls tilt, tilt controls pan
	CRMX Reset	No	Do not reset CRMX™
		Yes	Reset CRMX™
	Backlight Timer	30S	Display turns off after 30 seconds
		1m	Display turns off after 1 minute
		5m	Display turns off after 5 minutes
		ON	Display stays on
	Loss of Data	Hold	Holds last signal received
		Close	Blacks out fixture
	Dimmer Curve	Linear	Set the dimmer curve
		Square	
		I Squa	
		SCurve	
	Dimmer Speed	Fast	Sets the dimmer speed
		Smooth	
	LED Frequency	20000Hz	Sets the Pulse Width Modulation frequency
		40000Hz	
	Preset Select	PRESET A	Recorded preset menu options
		PRESET B	
		PRESET C	
	Preset Sync	No	Transfers recorded preset menu options to other Maverick Silens 1X Profile fixtures in the DMX daisy chain
		Yes	
	Reset	Pan/Tilt	No Yes
Iris/Prism			
Color/CMY			
Shutters			
Gobo/Gobo Rotate			
Frost			
Animation			
Zoom			
Entire Fixture			
Factory Reset	No	Reset to factory default settings	
	Yes		
USB Upgrade	Only This Fixture	___ ___ .CHL ...	Selects an update file for this product, or shows “No such file!”
	Multiple Fixture	___ ___ .CHL ...	Selects an update file for this and other Maverick Silens 1X Profile products
	Other Fixture Type	___ ___ .CHL ...	Selects an update file for other connected products

Main Level	Programming Levels			Description
Settings (cont.)	USB Upgrade (cont.)	Fixture To Fixture	make sure no other signal, Network or DMX controller is being sent! and press enter key to start update	Downloads update file from another Maverick Silens 1X Profile Driver via DMX
	Auto Test			Auto test all functions
Test	Manual Test	1.Pan	000–255	Manually control and test all settings through the control panel
		2.Pan Fine		
		3.Tilt		
		4.Tilt Fine		
		5.Pan/Tilt Speed		
		6.Dimmer		
		7.Dimmer Fine		
		8.Shutter/Strobe		
		9.Virtual Strobe		
		10.Cyan		
		11.Magenta		
		12.Yellow		
		13.CTO		
		14.Color		
		15.Hue Adjustment		
		16.Red Shift		
		17.Gobo1		
		18.Gobo1 Rot		
		19.Gobo1 Rot Fin		
		20.Animation Engage		
		21.Animation Rotate		
		22.Shutters Rot		
		23.Shutter 1- 1		
		24.Shutter 1- 2		
		25.Shutter 2- 1		
		26.Shutter 2- 2		
		27.Shutter 3- 1		
		28.Shutter 3- 2		
		29.Shutter 4- 1		
		30.Shutter 4- 2		
		31.Focus		
		32.Focus Fine		
		33.Zoom		
		34.Zoom Fine		
		35.Prism		
		36.Prism Rot		
		37.Iris		
		38.Frost		
		39.Control		

Main Level	Programming Levels		Description		
Information	Fixture Information	Ver V_ _ _ _ _	Shows firmware version		
		DMX Address _ _ _	Shows current starting address		
		Personality _ _ CH	Shows current control personality		
		Temperature _ _ ° C _ _ ° F	Shows current product temperature		
		Fixture Hours _ _ _ _ _	Shows hours product has been on		
		IP Address _ _ _ _ _ . _ _ . _ _ _	Shows current IP address		
		Subnet Mask _ _ _ _ _ . _ _ . _ _ _	Shows current subnet mask		
		MAC _ _ : _ _ : _ _ : _ _ : _ _ : _ _	Shows product MAC address		
		UID _ _ _ _ _	Shows product UID		
	Error Information	_ _ _ _ _	Shows any errors, or No Error!		
	Information	DmxValue Information	Frequency	000–255	Shows all current values from input signals
			1.Pan		
			2.Pan Fine		
			3.Tilt		
			4.Tilt Fine		
			5.Pan/Tilt Speed		
			6.Dimmer		
7.Dimmer Fine					
8.Shutter/Strobe					
9.Virtual Strobe					
10.Cyan					
11.Magenta					
12.Yellow					
13.CTO					
14.Color					
15.Hue Adjustment					
16.Red Shift					
17.Gobo1					
18.Gobo1 Rot					
19.Gobo1 Rot Fine					
20.Animation Engage					
21.Animation Rotate					
22.Shutters Rot					
23.Shutter 1- 1					
24.Shutter 1- 2					
25.Shutter 2- 1					
26.Shutter 2- 2					
27.Shutter 3- 1					
28.Shutter 3- 2					
29.Shutter 4- 1					
30.Shutter 4- 2					
31.Focus					
32.Focus Fine					
33.Zoom					

Main Level	Programming Levels		Description
Information (cont.)	Channel Information (cont.)	34.Zoom Fine	000–255 Shows all current values from input signals
		35.Prism	
		36.Prism Rot	
		37.Iris	
		38.Frost	
		39.Control	

Control Configuration

Use control configurations to operate the product with a DMX, Art-Net™, or sACN controller.

Control Mode

The Maverick Silens 1X Profile works with wired DMX, WDMX, Art-Net™, and sACN control signals. To select which protocol to use:

1. Go to the **Settings** main level.
2. Select the **Control Mode** option.
3. Select the desired protocol, from **DMX**, **ArtNet**, **sACN**, or **WDMX**.

Control Personalities

To set the control personality:

1. Go to the **Personality** main level.
2. Select the desired personality, from **Dmx Mode 1 31 CH** or **Dmx Mode 2 39 CH**.



- See the [Starting Address](#) section for the highest selectable starting address for each personality.
- Make sure that the starting addresses on the various products do not overlap due to the new personality setting.

Starting Address

Each product will respond to a unique starting address from the controller. All products with the same starting address will respond in unison. To set the starting address:

1. Go to the **Address** main level.
2. Select the starting address (**001–512**).
 - The highest recommended starting address for **Dmx Mode 1 31 CH** is **482**.
 - The highest recommended starting address for **Dmx Mode 2 39 CH** is **474**.

Network Setup

The Network Setup settings control the IP address, subnet mask, and universe of the product.

IP Mode

To choose how the IP address is set:

1. Go to the **Network Setup** main level.
2. Select the **IP Mode** option.
3. Select the desired IP mode, from **Manual** (to set a custom IP address), **DHCP** (the IP address is assigned by the connected network), or **Static** (the product uses a default, preset IP address).

Universe

To assign an Art-Net™ or sACN universe to the Maverick Silens 1X Profile:

1. Go to the **Network Setup** main level.
2. Select the **Universe** option.
3. Set the universe, from **000–255** (for Art-Net™) or from **001–256** (for sACN).

Manual IP Address

To set the IP address when the **IP Mode** is set to **Manual**:

1. Go to the **Network Setup** main level.
2. Select the **Ip** option.
3. Set the 4 values of the IP address from **000–255**.

Operation

Subnet Mask

To set the subnet mask:

1. Go to the **Network Setup** main level.
2. Select the **SubMask** option.
3. Set the 4 values of the subnet mask from **000–255**.

Control Channel Assignments and Values

31 CH	39 CH	Function	Value	Percent/Setting
1	1	Pan	000 ⇔ 255	0–100%
2	2	Fine pan	000 ⇔ 255	Fine control (16-bit)
3	3	Tilt	000 ⇔ 255	0–100%
4	4	Fine tilt	000 ⇔ 255	Fine control (16-bit)
–	5	Pan/tilt speed	000 ⇔ 255	Fast to slow
5	6	Dimmer	000 ⇔ 255	0–100%
–	7	Fine dimmer	000 ⇔ 255	Fine control (16-bit)
6	8	Strobe	000 ⇔ 010	No function (LED on)
			011 ⇔ 082	Strobe, slow to fast
			083 ⇔ 093	No function (LED on)
			094 ⇔ 163	Pulse effect, slow to fast
			164 ⇔ 174	No function (LED on)
			175 ⇔ 243	Random strobe, slow to fast
244 ⇔ 255	No function (LED on)			
–	9	Virtual strobe	000 ⇔ 004	No function
			005 ⇔ 010	Section 1
			011 ⇔ 015	Section 2
			016 ⇔ 020	Section 3
			021 ⇔ 060	Snap clockwise, fast to slow
			061 ⇔ 065	Stop
			066 ⇔ 106	Snap counter-clockwise, slow to fast
			107 ⇔ 111	Stop
			112 ⇔ 152	Fade clockwise, fast to slow
			153 ⇔ 157	Stop
			158 ⇔ 198	Fade counter-clockwise, slow to fast
199 ⇔ 255	No function			
7	10	Cyan	000 ⇔ 255	0–100%
8	11	Magenta	000 ⇔ 255	0–100%
9	12	Yellow	000 ⇔ 255	0–100%
10	13	CTO	000 ⇔ 255	0–100%
11	14	Color wheel (see Color Wheel)	000 ⇔ 004	Open
			005 ⇔ 009	Red
			010 ⇔ 013	Orange
			014 ⇔ 018	Green
			019 ⇔ 022	Cyan
			023 ⇔ 027	Congo blue
			028 ⇔ 031	UV
			032 ⇔ 187	Color wheel indexing
			188 ⇔ 219	Color scroll, fast to slow
			220 ⇔ 223	Stop
			224 ⇔ 255	Reverse color scroll, slow to fast

31 CH	39 CH	Function	Value	Percent/Setting
-	15	Hue Adjustment	000 ⇔ 127 128 ⇔ 255	-25 to 0 green 0 to +25 green
-	16	Red Shift	000 ⇔ 127 128 ⇔ 255	Red shift off Red shift on
12	17	Gobo wheel (see Gobo Designs)	000 ⇔ 005 006 ⇔ 010 011 ⇔ 015 016 ⇔ 020 021 ⇔ 025 026 ⇔ 030 031 ⇔ 035 036 ⇔ 040 041 ⇔ 055 056 ⇔ 070 071 ⇔ 085 086 ⇔ 100 101 ⇔ 115 116 ⇔ 130 131 ⇔ 145 146 ⇔ 200 201 ⇔ 255	Open Gobo 1 (Barking Up a Flaming River) Gobo 2 (Floyd) Gobo 3 (Sparse Branches) Gobo 4 (Something Linear) Gobo 5 (Super Max) Gobo 6 (Window Pane) Gobo 7 (Shower Glass) Gobo 1 shaking, slow to fast Gobo 2 shaking, slow to fast Gobo 3 shaking, slow to fast Gobo 4 shaking, slow to fast Gobo 5 shaking, slow to fast Gobo 6 shaking, slow to fast Gobo 7 shaking, slow to fast Gobo scroll, slow to fast Reverse gobo scroll, slow to fast
13	18	Gobo rotation	000 ⇔ 191 192 ⇔ 221 222 ⇔ 225 226 ⇔ 255	Gobo indexing Gobo rotation, fast to slow Stop Reverse gobo rotation, slow to fast
-	19	Gobo fine indexing	000 ⇔ 255	Gobo fine indexing
14	20	Animation	000 ⇔ 127 128 ⇔ 255	No function Animation insert
15	21	Animation rotation	000 ⇔ 003 004 ⇔ 127 128 ⇔ 131 132 ⇔ 255	No function Animation rotation, fast to slow Stop Reverse animation rotation, slow to fast
16	22	Shutter rotation	000 ⇔ 255	0–100%
17	23	Shutter 1-1	000 ⇔ 255	0–100%
18	24	Shutter 1-2	000 ⇔ 255	0–100%
19	25	Shutter 2-1	000 ⇔ 255	0–100%
20	26	Shutter 2-2	000 ⇔ 255	0–100%
21	27	Shutter 3-1	000 ⇔ 255	0–100%
22	28	Shutter 3-2	000 ⇔ 255	0–100%
23	29	Shutter 4-1	000 ⇔ 255	0–100%
24	30	Shutter 4-2	000 ⇔ 255	0–100%
25	31	Focus	000 ⇔ 255	0–100%
-	32	Fine focus	000 ⇔ 255	Fine control (16-bit)
26	33	Zoom	000 ⇔ 255	0–100%
-	34	Fine Zoom	000 ⇔ 255	Fine control (16-bit)
27	35	Prism	000 ⇔ 127 128 ⇔ 255	No function Prism insert

Operation

31 CH	39 CH	Function	Value	Percent/Setting
28	36	Prism rotation	000 ⇔ 127	Prism index
			128 ⇔ 189	Prism rotation, fast to slow
			190 ⇔ 193	Stop
			194 ⇔ 255	Reverse prism rotation, slow to fast
29	37	Iris	000 ⇔ 192	Big to small
			193 ⇔ 213	Auto change, slow to fast
			214 ⇔ 234	Slow open, fast close (slow to fast)
			235 ⇔ 255	Slow close, fast open (slow to fast)
30	38	Frost	000	No function
			001 ⇔ 255	0–100%
31	39	Control (3 second hold)	000 ⇔ 007	No function
			008 ⇔ 015	Reset all
			016 ⇔ 023	Reset pan and tilt
			024 ⇔ 031	Reset prism, iris, and frost
			032 ⇔ 039	Reset gobo wheel
			040 ⇔ 047	Reset framing shutters
			048 ⇔ 055	Reset zoom and focus
			056 ⇔ 063	Reset color wheel, CMY, and CTO
			064 ⇔ 071	Disable absolute silence
			072 ⇔ 079	Enable absolute silence
			080 ⇔ 087	Disable steady mode
			088 ⇔ 095	Steady mode 1
			096 ⇔ 103	Steady mode 2
104 ⇔ 255	Reserved for future use			

Settings Configuration

Absolute Silent Mode

Absolute silent slows the pan/tilt and all the moving components inside the fixture to make the unit as absolutely silent as possible while operating. To enable or disable absolute silent mode:

1. Go to the **Settings** main level.
2. Select the **Absolute Silent** option.
3. Select from **No** (disables absolute silent mode) or **Yes** (enables absolute silent mode).

Steady Mode

Steady mode controls the output of the fixture to minimize any drop in output for thermal control. The settings for the steady mode are based on the ambient temperature where the fixture is in. The hotter the ambient temperature, the dimmer the output. To select the correct steady mode option:

1. Go to the **Settings** main level.
2. Select the **Steady** option.
3. Select from **Off** (disables steady mode), **Steady Mode 1** (environment temperature 26 °C), or **Steady Mode 2** (environment temperature 35 °C).

Red Shift

The red shift function allows the light in the fixture to mimic halogen lamp dimming. To enable or disable the red shift function:

1. Go to the **Settings** main level.
2. Select the **Red Shift** option.
3. Select from **No** (disables red shift function) or **Yes** (enables red shift function).

Pan Reverse

To set the orientation of the pan:

1. Go to the **Settings** main level.
2. Select the **Pan Reverse** option.
3. Select from **No** (normal pan motion), or **Yes** (reversed pan motion).

Tilt Reverse

To set the orientation of the tilt:

1. Go to the **Settings** main level.
2. Select the **Tilt Reverse** option.
3. Select from **No** (normal tilt motion), or **Yes** (reversed tilt motion).

Screen Reverse

To set the orientation of the display:

1. Go to the **Settings** main level.
2. Select the **Screen Reverse** option.
3. Select from **No** (right-side up), **Yes** (upside-down), or **Auto** (automatic orientation).

Pan Angle

To set the maximum angle of the pan:

1. Go to the **Settings** main level.
2. Select the **Pan Angle** option.
3. Select from **540** (540°), **360** (360°), **180** (180°), or **90** (90°).

Tilt Angle

To set the maximum angle of the tilt:

1. Go to the **Settings** main level.
2. Select the **Tilt Angle** option.
3. Select from **270** (260°), **180** (180°), or **090** (90°).

Black out on Movement

To set the product to black out while the pan/tilt, color wheel, or gobo wheels are moving:

1. Go to the **Settings** main level.
2. Select from the **BL. O. P/T Move** (black out on pan/tilt movement), **BL. O. ColorMove** (black out on color wheel movement), or **BL. O. GoboMove** (black out on gobo wheel movement) options.
3. Select from **No** or **Yes**.

Operation

Touchscreen Calibration

To calibrate the touchscreen:

1. Go to the **Settings** main level.
2. Select the **Touch Calibration** option.
3. Select from **No** (cancel), or **Yes** (calibrate).
4. Follow the instructions on the display.

Touchscreen Lock

To lock the touchscreen and limit the display to operation by the menu buttons:

1. Go to the **Settings** main level.
2. Select the **Touch Lock** option.
3. Select from **No** (do not lock the touchscreen), or **Yes** (lock the touchscreen).

Swap Pan and Tilt

To swap the controls for the pan and tilt:

1. Go to the **Settings** main level.
2. Select the **Swap XY** option.
3. Select from **No** (pan controls pan, tilt controls tilt) or **Yes** (pan controls tilt, tilt controls pan).

CRMX™ Reset

To reset the CRMX™ connection:

1. Go to the **Settings** main level.
2. Select the **CRMX Reset** option.
3. Select from **No** or **Yes**.

Display Backlight Timer

To set how long before an inactive display will turn off:

1. Go to the **Settings** main level.
2. Select the **Backlight Timer** option.
3. Select the length of the backlight timer, from **30S** (30 seconds), **1m** (1 minute), **5m** (5 minutes), or **ON** (always on).

Loss of Data

To select how the product will respond to a loss of the control signal:

1. Go to the **Settings** main level.
2. Select the **Loss of Data** option.
3. Select from **Hold** (holds last signal received) or **Close** (blacks out fixture).

Dimmer Curve

To set the dimmer curve:

1. Go to the **Settings** main level.
2. Select the **Dimmer Curve** option.
3. Select the dimmer curve, from **Linear**, **Square**, **I Squa**, or **SCurve**.

Dimmer Speed

To set the dimmer speed:

1. Go to the **Settings** main level.
2. Select the **Dimmer Speed** option.
3. Select the dimmer curve, from **Fast** or **Smooth**.

Pulse Width Modulation

To adjust the frequency of the pulse width modulation:

1. Go to the **Settings** main level.
2. Select the **LED Frequency** option.
3. Select the frequency, from **20000Hz** or **40000Hz**.

Preset Selection

To select a preset configuration of menu options:

1. Go to the **Settings** main level.
2. Select the **Preset Select** option.
3. Select from **PRESET A** (default), **PRESET B**, or **PRESET C**.



- **Changes to settings automatically save to the currently selected Preset.**
- **If no Preset has been selected, changes to settings save to PRESET A.**
- **After selecting a Preset, the product will restart.**

Preset Synchronization

To transfer saved Presets from one Maverick Silens 1X Profile to another:

1. Connect the Maverick Silens 1X Profile products to receive the Presets by a DMX daisy chain.
2. Make the Maverick Silens 1X Profile with the Presets to transfer the first in the DMX daisy chain.
3. Power on all of the products.
4. Set all of the products to a [Control Mode](#) other than **CRMX**. (**DMX**, **ArtNet**, or **sACN**)
5. On the Maverick Silens 1X Profile with the Presets, go to the **Settings** main level.
6. Select the **Preset Sync** option.
7. Select **No** (to cancel) or **Yes** (to transfer the Presets to the connected products).



- **All menu configurations are transferred except for the IP address.**
- **ONLY connect Maverick Silens 1X Profile products for this function!**

Reset Function

To reset specific functions or the entire product:

1. Go to the **Settings** main level.
2. Select the **Reset** option.
3. Select the functions to reset, from **Pan/Tilt**, **Iris/Prism**, **Color/CMY**, **Shutters**, **Gobo/Gobo Rotate**, **Frost**, **Animation**, **Zoom**, or **Entire Fixture**.
4. Select **No** (to cancel) or **Yes** (to reset the selected functions).

Factory Reset

To reset the product to factory settings:

1. Go to the **Settings** main level.
2. Select the **Factory Reset** option.
3. Select **No** (to cancel) or **Yes** (to reset the product configuration).

Operation

Test Mode

Auto Test

To have the Maverick Silens 1X Profile automatically test all functions one after the other:

1. Go to the **Test** main level.
2. Select the **Auto Test** option.

Manual Test

To manually test an individual function of the Maverick Silens 1X Profile:

1. Go to the **Test** main level.
2. Select the **Manual Test** option.
3. Select a function to test, from **1.Pan, 2.Pan Fine, 3.Tilt, 4.Tilt Fine, 5.Pan/Tilt Speed, 6.Dimmer, 7.Dimmer Fine, 8.Shutter/Strobe, 9.Virtual Strobe, 10.Cyan, 11.Magenta, 12.Yellow, 13.CTO, 14.Color, 15.Hue Adjustment, 16.Red Shift, 17.Gobo1, 18.Gobo1 Rot, 19.Gobo1 Rot Fin, 20.Animation Engage, 21.Animation Rotate, 22.Shutters Rot, 23.Shutter 1- 1, 24.Shutter 1- 2, 25.Shutter 2- 1, 26.Shutter 2- 2, 27.Shutter 3- 1, 28.Shutter 3- 2, 29.Shutter 4- 1, 30.Shutter 4- 2, 31.Focus, 32.Focus Fine, 33.Zoom, 34.Zoom Fine, 35.Prism, 36.Prism Rot, 37.Iris, 38.Frost, or 39.Control.**
4. Increase or decrease the value of the selected function from **0–255** to test it.

System Information

The information section of the menu displays statistics and the current status of the product's various functions. To view this information:

1. Go to the **Information** main level.
2. Select from the **Fixture Information, Error Information, or DmxValue Information** options.
3. Use **<UP>** and **<DOWN>** to view all information.

Zero Adjust Mode

The Zero Adjust mode provides fine adjustments for the home position of every moving part in the optical path as well as the pan and tilt movements. To adjust these options and prevent borders showing or reduction of the light output:

1. From the main level screen, press and hold **<MENU>** until the passcode screen appears.
2. Enter the passcode: **0920** and press **<ENTER>**.
3. Select the “zero” position to adjust, from **Pan, Tilt, Cyan Offset, Magenta Offset, Yellow Offset, CTO Offset, Color Offset, Gobo Offset, RGobo Offset, Animation, Iris, Fr.shutters Rot., Shut1M1 Offset, Shut1M2 Offset, Shut2M1 Offset, Shut2M2 Offset, Shut3M1 Offset, Shut3M2 Offset, Shut4M1 Offset, Shut4M2 Offset, Prism Offset, RPrism Offset, Frost, Focus Offset, Zoom Offset, Gobo1_1, Gobo1_2, Gobo1_3, Gobo1_4, Gobo1_5, Gobo1_6, or Gobo1_7.**
4. Adjust the “zero” position for the selected function from **000–255**.

Web Server

The Maverick Silens 1X Profile Web Server can be accessed by any computer on the same network as the product. It allows network access to system information, settings such as control setup, manual testing of all functions, firmware updates, and the ability to change the Web Server password.

1. Connect the product to power, and set the [Control Mode](#) to **ArtNet** and the [IP Mode](#) to **Static**.
2. Connect the product to a Windows computer with a network cable.
3. On the computer, set the first value of the IP address of the new network to match the first value of the IP address of the product. The IP address of the product is displayed on the [Home Screen](#).
4. Enter the IP address of the product into the URL bar of a web browser on the computer.
5. Enter both the User Name and Password as **admin** to log in.

Information

The Information page on the Web Server displays the current settings and the system information of the Maverick Silens 1X Profile.

Setup

The Setup page on the Web Server provides options for control, similar to the **Setup** menu on the product. Click **Save Settings** to send the new configuration to the product.

Manual Test

The Manual Test page on the Web Server allows all output functions of the product to be controlled through the browser. To set all functions back to default, click **Reset**.

Firmware Update

The Upgrade page on the Web Server allows the product to be updated with the latest firmware. Go to <https://www.chauvetprofessional.com> to download firmware updates.

Security

The Security page on the Web Server gives the option to change the password to the connected product's web server. Enter the old password (**admin**, by default) and the new password twice, then click **Save Settings** to change the password.

Error Codes

See the table below for error codes and recommended solutions:

Error Code	Possible Reason	Potential Solution
CTR1-XY Error	The Pan / Tilt driver PCB is damaged	Replace the pan/tilt driver board
	CTR1 software upload failed	Re-upload the CTR1 software
CTR2-MOTOR Error	The gobo/color motor driver PCB is damaged	Replace the gobo/color motor driver PCB
	CTR2 software upload failed	Re-upload the CTR2 software
CTR3-MOTOR Error	The shutter motor driver PCB is damaged	Replace the shutter motor driver PCB
	CTR3 software upload failed	Re-upload the CTR3 software
CTR4-MOTOR Error	The focus/zoom motor driver PCB is damaged	Replace the focus/zoom motor driver PCB
	CTR4 software upload failed	Re-upload the CTR4 software
Pan Sensor Error	Pan optocoupler board is damaged	Replace the pan optocoupler board
	XY net driver board is damaged	Replace the XY net drive board
Pan Encode Error	Pan magnetic locating board is damaged	Replace the pan magnetic locating board
	XY net driver board is damaged	Replace the XY net drive board
Tilt Sensor Error	Tilt optocoupler board is damaged	Replace the tilt optocoupler board
	XY net driver board is damaged	Replace the XY net drive board
Tilt Encode Error	Tilt magnetic locating board is damaged	Replace the tilt magnetic locating board
	XY net driver board is damaged	Replace the XY net drive board
Cyan Reset Fail	Sensor board is damaged	Replace the Cyan sensor board
	The magnetic rod of Cyan sensor board is dropped or installed upside down	Check the magnetic rod
Magenta Reset Fail	Sensor board is damaged	Replace the Magenta sensor board
	The magnetic rod of Magenta sensor board is dropped or installed upside down	Check the magnetic rod
Yellow Reset Fail	Sensor board is damaged	Replace the Yellow sensor board
	The magnetic rod of Yellow sensor board is dropped or installed upside down	Check the magnetic rod
CTO Reset Fail	Sensor board is damaged	Replace the CTO sensor board
	The magnetic rod of CTO sensor board is dropped or installed upside down	Check the magnetic rod
Color Reset Fail	Sensor board is damaged	Replace the COLOR sensor board
	The magnetic rod of COLOR sensor board is dropped or installed upside down	Check the magnetic rod
Gobo Reset Fail	Sensor board is damaged	Replace the GOBO sensor board
	The magnetic rod of GOBO sensor board is dropped or installed upside down	Check the magnetic rod
RGobo Reset Fail	Sensor board is damaged	Replace the GOBO sensor board
	The magnetic rod of GOBO sensor board is dropped or installed upside down	Check the magnetic rod

Error Code	Possible Reason	Potential Solution
Effect Reset Fail	Sensor board is damaged	Replace the Effect sensor board
	The magnetic rod of Effect sensor board is dropped or installed upside down	Check the magnetic rod
RShutter Reset Fail	Sensor board is damaged	Replace the RShutter sensor board
	The magnetic rod of RShutter sensor board is dropped or installed upside down	Check the magnetic rod
Iris Reset Fail	Sensor board is damaged	Replace the Iris sensor board
	The magnetic rod of Iris sensor board is dropped or installed upside down	Check the magnetic rod
Prism Reset Fail	Sensor board is damaged	Replace the Prism sensor board
	The magnetic rod of Prism sensor board is dropped or installed upside down	Check the magnetic rod
RPrism Reset Fail	Sensor board is damaged	Replace the RPrism sensor board
	The magnetic rod of RPrism sensor board is dropped or installed upside down	Check the magnetic rod
Focus Reset Fail	Sensor board is damaged	Replace the Focus sensor board
	The magnetic rod of Focus sensor board is dropped or installed upside down	Check the magnetic rod
Zoom Reset Fail	Sensor board is damaged	Replace the Zoom sensor board
	The magnetic rod of Zoom sensor board is dropped or installed upside down	Check the magnetic rod
Frost Reset Fail	Sensor board is damaged	Replace the Frost sensor board
	The magnetic rod of Frost sensor board is dropped or installed upside down	Check the magnetic rod
Temperature Error	The thermistor on the LED PCB is open circuit or short circuit	Replace the LED PCB or weld the thermistor
Pan Over Time Error	Pan reset over time	Check if there is anything in the way
Tilt Over Time Error	Tilt reset over time	Check if there is anything in the way
No such file!	USB has poor connection	Replug the USB
	USB internal wires have poor connection	Change the USB
	No upgrade file in the USB	Check the files in the USB

5. Maintenance

Product Maintenance

Dust build-up reduces light output performance and can cause overheating. This can lead to reduction of the light source's life and/or mechanical wear. To maintain optimum performance and minimize wear, clean each lighting product at least twice a month. However, be aware that usage and environmental conditions could be contributing factors to increase the cleaning frequency.

To clean the product, follow the instructions below:

1. Unplug the product from power.
2. Wait until the product is at room temperature.
3. Use a vacuum (or dry compressed air) and a soft brush to remove dust collected on the external surface/vents.
4. Clean all transparent surfaces with a mild soap solution, ammonia-free glass cleaner, or isopropyl alcohol.
5. Apply the solution directly to a soft, lint free cotton cloth or a lens cleaning tissue.
6. Softly drag any dirt or grime to the outside of the transparent surface.
7. Gently polish the transparent surfaces until they are free of haze and lint.



Always dry the transparent surfaces carefully after cleaning them.

Gobo Maintenance

To ensure optimal operation, 1) inspect and 2) clean gobos every four months. More frequent maintenance may be necessary if usage is higher.

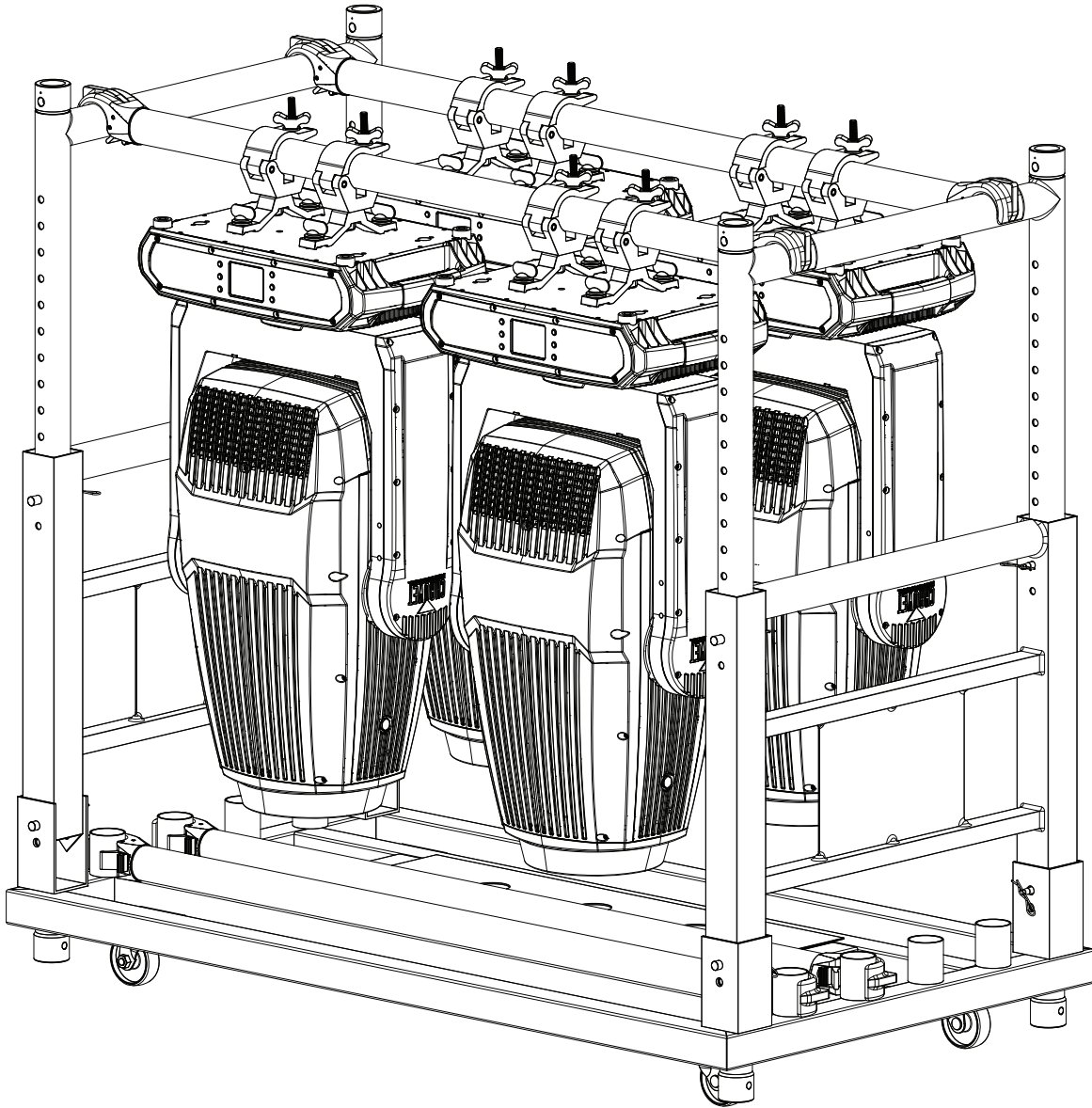
To inspect, remove each gobo holder and check if:

- the holders are clean (free of dirt, grime, or gunk).
- the gobos are properly installed in the holders.
- all the bearings are in place.
- the holders are rotating freely.

To clean the gobos and the gobo holder, follow the instructions below:

1. Remove the gobos from the holder.
2. Clean the gobos with a soft, lint-free cotton cloth. Use an ammonia-free glass cleaner sprayed to a piece of lint-free cotton cloth to clean glass gobos.
3. Submerge the gobo holder (without the gobo installed) in a container with a liquid lubricant (i.e., WD40) and let it rest for a couple of minutes.
4. Shake the container with the gobo holder inside to help release/loosen any gunk/grime/dirt.
5. Take the gobo holder out of the container and clean it using a small nylon brush.
6. Wipe off all the lubricant from the gobo holder using a piece of lint-free cotton cloth.
7. Apply a small coat of synthetic oil (i.e., Liquid Bearings) to the bearings and rotate it thoroughly in both directions (needle tip applicator recommended). Make sure the gobo holder is rotating freely and is not making any abnormal noise.
8. Reinstall the gobos in the gobo holder. Make sure the gobos are in the correct positions.
9. Reinstall the gobo holder in the unit.

Transporting on Truss or Racks



When transporting fixtures in pre-rigged truss and transportation racks, mount fixtures in the vertical position with the lenses facing down and the pan and tilt locks engaged. This is to prevent undue stress on the tilt locks and limit the amount of off-axis bounce on internal components.

6. Technical Specifications

Dimensions and Weight

Length	Width	Height	Weight
15.75 in (400 mm)	9.68 in (246 mm)	24.25 in (616 mm)	56.2 lb (25.5 kg)

Note: Dimensions in inches are rounded.

Power

Power Supply Type	Range	Voltage Selection
Switching (internal)	100 to 240 VAC, 50/60 Hz	Auto-ranging

Parameter	100 V, 60 Hz	120 V, 60 Hz	208 V, 60 Hz	230 V, 50 Hz	240 V, 50 Hz
Consumption	400 W	441 W	425 W	422 W	367 W
Operating Current	4.00 A	3.31 A	1.91 A	1.70 A	1.67 A
Fuse/Breaker	T5 A, 250 V	T5 A, 250 V	T5 A, 250 V	T5 A, 250 V	T5 A, 250 V

Power I/O	U.S./Worldwide	UK/Europe
Power Input Connector	Seetronic Powerkon A	Seetronic Powerkon A
Power Output Connector	Seetronic Powerkon A	Seetronic Powerkon A
Power Cable plug	Edison	Local plug

Light Source

Type	Color	Quantity	Power	Current	Lifespan
LED	Cool white	1	420 W	12 A	50,000 hours
LED	Tri-color RGB	1	13 W	2.091 A	50,000 hours

Photometrics

Color Temperature Range	Color Temperature at Full	CRI
2569 to 6126 K	6126 K	97.1

Beam Angle	Field Angle	Cutoff Angle	Zoom Range
6° to 48.4°	7° to 53.4	7.5° to 56.2°	6° to 56.2°

Front Lens Diameter	Output Lumens	Illuminance (6°)	Illuminance (56.2°)
106 mm	6,081	18,525 lux @ 5 m	398 lux @ 15 m

Thermal

Maximum External Temperature	Cooling System
113 °F (45 °C)	Convection

Control

DMX I/O Connector	Ethernet I/O Connector	Channel Range
5-pin IXL R	Amphenol XLR Net RJ45	31 or 39

Ordering

Product Name	Item Name	Item Code	UPC Number
Maverick Silens 1X Profile	MAVERICKSILENS1XPROFILE	03011747	781462220952



UL 1573
CSA C22.2 No. 166
E113093



RoHS



Contact Us

General Information	Technical Support
Chauvet World Headquarters	
Address: 3360 Davie Rd., Suite 509 Davie, FL 33314 Voice: (954) 577-4455 Fax: (954) 929-5560 Toll Free: (800) 762-1084	Voice: (844) 393-7575 Fax: (954) 756-8015 Email: chauvetcs@chauvetlighting.com Website: www.chauvetprofessional.com
Chauvet U.K.	
Address: Pod 1 EVO Park Little Oak Drive, Sherwood Park Nottinghamshire, NG15 0EB UK Voice: +44 (0) 1773 511115 Fax: +44 (0) 1773 511110	Email: UKtech@chauvetlighting.eu Website: www.chauvetprofessional.eu
Chauvet Benelux	
Address: Stokstraat 18 9770 Kruishoutem Belgium Voice: +32 9 388 93 97	Email: BNLtech@chauvetlighting.eu Website: www.chauvetprofessional.eu
Chauvet France	
Address: 3, Rue Ampère 91380 Chilly-Mazarin France Voice: +33 1 78 85 33 59	Email: FRtech@chauvetlighting.fr Website: www.chauvetprofessional.eu
Chauvet Germany	
Address: Bruno-Bürgel-Str. 11 28759 Bremen Germany Voice: +49 421 62 60 20	Email: DEtech@chauvetlighting.de Website: www.chauvetprofessional.eu
Chauvet Mexico	
Address: Av. de las Partidas 34 - 3B (Entrance by Calle 2) Zona Industrial Lerma Lerma, Edo. de México, CP 52000 Voice: +52 (728) 690-2010	Email: servicio@chauvet.com.mx Website: www.chauvetprofessional.mx

Warranty & Returns

For warranty terms and conditions and return information, please visit our website.

For customers in the United States and Mexico: www.chauvetlighting.com/warranty-registration.

For customers in the United Kingdom, Republic of Ireland, Belgium, the Netherlands, Luxembourg, France, and Germany: www.chauvetlighting.eu/warranty-registration.