

MAVERICK STORM 1 BEAM

User Manual



Model ID: MAVERICKSTORM1BEAM

CHAUVET
PROFESSIONAL

Edition Notes

The Maverick Storm 1 Beam User Manual includes a description, safety precautions, installation, programming, operation and maintenance instructions for the Maverick Storm 1 Beam as of the release date of this edition.

Trademarks

Chauvet, Chauvet Professional, the Chauvet logo, Maverick, and Maverick Storm are registered trademarks or trademarks of Chauvet & Sons, LLC (d/b/a Chauvet and Chauvet Lighting) in the United States and other countries. Other company and product names and logos referred to herein may be trademarks of their respective companies.

Copyright Notice

The works of authorship contained in this manual, including, but not limited to, all designs, text, and images are owned by Chauvet.

© Copyright 2024 Chauvet & Sons, LLC. All rights reserved.

Electronically published by Chauvet in the United States of America.

Manual Use

Chauvet authorizes its customers to download and print this manual for professional information purposes only. Chauvet expressly prohibits the usage, copy, storage, distribution, modification, or printing of this manual or its content for any other purpose without written consent from Chauvet.

Document Printing

For best results, print this document in color, on letter size paper (8.5 x 11 in), double-sided. If using A4 paper (210 x 297 mm), configure the printer to scale the content accordingly.

Intended Audience

Any person installing, operating, and/or maintaining this product should completely read through the guide that shipped with the product, as well as this manual, before installing, operating, or maintaining this product.

Disclaimer

Chauvet believes that the information contained in this manual is accurate in all respects. However, Chauvet assumes no responsibility and specifically disclaims any and all liability to any party for any loss, damage or disruption caused by any errors or omissions in this document, whether such errors or omissions result from negligence, accident or any other cause. Chauvet reserves the right to revise the content of this document without any obligation to notify any person or company of such revision, however, Chauvet has no obligation to make, and does not commit to make, any such revisions.

Document Revision

Go to www.chauvetprofessional.com for the latest version.

Revision	Date	Description
5	10/2024	Added rack transport diagram, CRI, lumens, and noise level specs, error codes. Updated photometric specs and vacuum test measurements.

TABLE OF CONTENTS

1. Before You Begin 1

 What Is Included 1

 Claims 1

 Text Conventions 1

 Symbols 1

 Safety Notes..... 2

 FCC Statement of Compliance 3

 RF Exposure Warning for North America and Australia..... 3

 Expected LED Lifespan..... 3

2. Introduction 4

 Description 4

 Features 4

 Product Overview..... 4

 Product Dimensions 5

3. Setup 6

 AC Power 6

 AC Plug 6

 Fuse Replacement 6

 Signal Connections 6

 Control Personalities 6

 DMX Linking 6

 Remote Device Management 6

 Art-Net™ Connection 7

 sACN Connection..... 7

 Connection Diagram 7

 USB Software Update 8

 Mounting 9

 Orientation..... 9

 Rigging 9

 Procedure..... 9

 Lamp Replacement..... 10

 Procedure..... 10

 Increasing Lamp Lifespan 11

4. Operation 12

 Control Panel Description 12

 Battery Powered Display 12

 Home Screen 12

 Control Panel Lock..... 12

 Passcode 12

 Technician Mode..... 12

 Menu Map 13

 Control Configuration 16

 Control Mode..... 16

 Control Personalities 16

 Starting Address..... 16

Network Setup.....	16
IP Mode.....	16
Universe.....	16
Manual IP Address.....	16
Subnet Mask.....	17
Control Channel Assignments and Values.....	17
Gobo Wheel.....	19
Settings Configuration.....	20
Pan Reverse.....	20
Tilt Reverse.....	20
Screen Reverse.....	20
Pan Angle.....	20
Tilt Angle.....	20
Black out on Movement.....	20
Swap Pan and Tilt.....	20
Lumenradio CRMX™ Reset.....	20
Display Backlight Timer.....	20
Loss of Data.....	21
Lamp Settings.....	21
Lamp On/Off.....	21
Lamp State at Power On.....	21
Off Via DMX.....	21
On If DMX On.....	21
Off If DMX Off.....	21
Ignition Delay.....	21
Low Power Delay.....	21
Reset Lamp On Time.....	21
Maintenance Timer Interval.....	22
Reset Maintenance Timer.....	22
Preset Selection.....	22
Preset Synchronization.....	22
USB Update.....	22
Reset Function.....	22
Factory Reset.....	23
Test Mode.....	23
Auto Test.....	23
Manual Test.....	23
System Information.....	23
Offset Mode (Zero Adjust).....	23
Web Server.....	24
Error Codes.....	25
5. Maintenance.....	27
Product Maintenance.....	27
Torque Measurements.....	27
Vacuum Test Measurements.....	27
6. Technical Specifications.....	29
Contact Us.....	30
Warranty & Returns.....	30

Before You Begin

1. Before You Begin

What Is Included

- Maverick Storm 1 Beam
- 2 Omega brackets with mounting hardware
- Seetronic Powerkon IP65 power cable
- Quick Reference Guide

Claims

Carefully unpack the product immediately and check the container to make sure all the parts are in the package and are in good condition.




If the box or the contents (the product and included accessories) appear damaged from shipping, or show signs of mishandling, notify the carrier immediately, not Chauvet. Failure to report damage to the carrier immediately may invalidate a claim. In addition, keep the box and contents for inspection.

For other issues, such as missing components or parts, damage not related to shipping, or concealed damage, file a claim with Chauvet within 7 days of delivery.

Text Conventions

Convention	Meaning
1–512	A range of values
50/60	A set of values of which only one can be chosen
Settings	A menu option not to be modified
<ENTER>	A key to be pressed on the product's control panel

Symbols

Symbol	Meaning
	Critical installation, configuration, or operation information. Not following these instructions may make the product not work, cause damage to the product, or cause harm to the operator.
	Important installation or configuration information. The product may not function correctly if this information is not used.
	Useful information.



Any reference to data or power connections in this manual assumes the use of Seetronic IP rated cables.



The term “DMX” used throughout this manual refers to the USITT DMX512-A digital data transmission protocol.

Connection of the control signal: DMX line

- The product has XLR sockets for DMX input and output.
- **Notice:** This control circuit is isolated and belongs to the Class 2 data port.

The control circuit has a cumulative leakage current of less than 3.5 mA.

Safety Notes

Read all the following safety notes before working with this product. These notes contain important information about the installation, usage, and maintenance of this product.



This product contains no user-serviceable parts. Any reference to servicing in this User Manual will only apply to properly trained, certified technicians. Do not open the housing or attempt any repairs.



All applicable local codes and regulations apply to proper installation of this product.

- The luminaire is intended for professional use only.
- The luminaire should be positioned so that prolonged staring into the luminaire at a distance closer than 32.81 ft (10 m) is not expected.
- If the external flexible cable or cord of this luminaire is damaged, it shall be replaced by a special cord or cord exclusively available from the manufacturer or its service agent.
- The light source contained in this luminaire shall only be replaced by the manufacturer or its service agent or a similar qualified person.
- **CAUTION:**
 - This product's housing may be hot when operating. Mount this product in a location with adequate ventilation, at least 20 in (50 cm) from adjacent surfaces.
 - When transferring the product from extreme temperature environments, (e.g., cold truck to warm humid ballroom) condensation may form on the internal electronics of the product. To avoid causing a failure, allow the product to fully acclimate to the surrounding environment before connecting it to power.
 - Flashing light is known to trigger epileptic seizures. User must comply with local laws regarding notification of strobe use.
- **ALWAYS:**
 - Disconnect from power before cleaning the product or replacing the fuse.
 - When using an IP65-rated product in an outdoor environment, use IP65- (or higher) rated power and data cable.
 - Replace and secure IP-rated protective covers to all power, data, USB, or other ports when not in use.
 - Replace the fuse with the same type and rating.
 - Use a safety cable when mounting this product overhead.
 - Connect this product to a grounded and protected circuit.
- **DO NOT:**
 - Open this product. It contains no user-serviceable parts.
 - Look at the light source when the product is on.
 - Leave any flammable material within 20 cm of this product while operating or connected to power.
 - Connect this product to a dimmer or rheostat.
 - Operate this product if the housing, lenses, or cables appear damaged.
 - Submerge this product (adhere to standards for the published IP rating). Regular outdoor operation is fine.
 - Permanently install outdoors in locations with extreme environmental conditions. This includes, but is not limited to:
 - Exposure to a marine/saline environment (within 3 miles of a saltwater body of water).
 - Locations where normal temperatures exceed the temperature ranges in this manual.
 - Locations that are prone to flooding or being buried in snow.
 - Other areas where the product will be subject to extreme radiation or caustic substances.
- **ONLY** use the handles or the hanging/mounting brackets to carry this product.
- The maximum ambient temperature is 113 °F (45 °C). Do not operate this product at higher temperatures.
- The minimum startup temperature is -4°F (-20°C). Do not start the product at lower temperatures.
- The minimum ambient temperature is -22°F (-30°C). Do not operate the product at lower temperatures.
- To eliminate unnecessary wear and improve its lifespan, during periods of non-use completely disconnect the product from power via breaker or by unplugging it.
- In the event of a serious operating problem, stop using immediately.



If a Chauvet product requires service, contact Chauvet Technical Support.

Before You Begin

FCC Statement of Compliance

This device complies with Part 15 Part B of the FCC rules. Operation is subject to the following two conditions:

1. This device may not cause harmful interference, and
2. This device must accept any interference received, including interference that may cause undesired operation.

This equipment has been tested and found to comply with the limits for a Class B digital device, pursuant to Part 15 of the FCC Rules. These limits are designed to provide reasonable protection against harmful interference in a residential installation. This equipment generates uses and can radiate radio frequency energy and, if not installed and used in accordance with the instructions, may cause harmful interference to radio communications. However, there is no guarantee that interference will not occur in a particular installation. If this equipment does cause harmful interference to radio or television reception, which can be determined by turning the equipment off and on, the user is encouraged to try to correct the interference by one or more of the following measures:

- Reorient or relocate the receiving antenna.
- Increase the separation between the equipment and receiver.
- Connect the equipment into an outlet on a circuit different from that to which the receiver is connected.
- Consult the dealer or an experienced radio/TV technician for help.

Any changes or modifications not expressly approved by the party responsible for compliance could void the user's authority to operate the equipment.

RF Exposure Warning for North America and Australia

Warning! This equipment complies with FCC radiation exposure limits set forth for an uncontrolled environment. This equipment should be installed and operated with a minimum distance of 20 cm between the radiator and the user. This transmitter must not be co-located or operating in conjunction with any other antenna or transmitter.

Expected LED Lifespan

Over time, use and heat will gradually reduce LED brightness. Clustered LEDs produce more heat than single LEDs, contributing to shorter lifespans if always used at full intensity. The average LED lifespan is 40,000 to 50,000 hours. To extend LED lifespan, maintain proper ventilation around the product, and limit the overall intensity.

2. Introduction

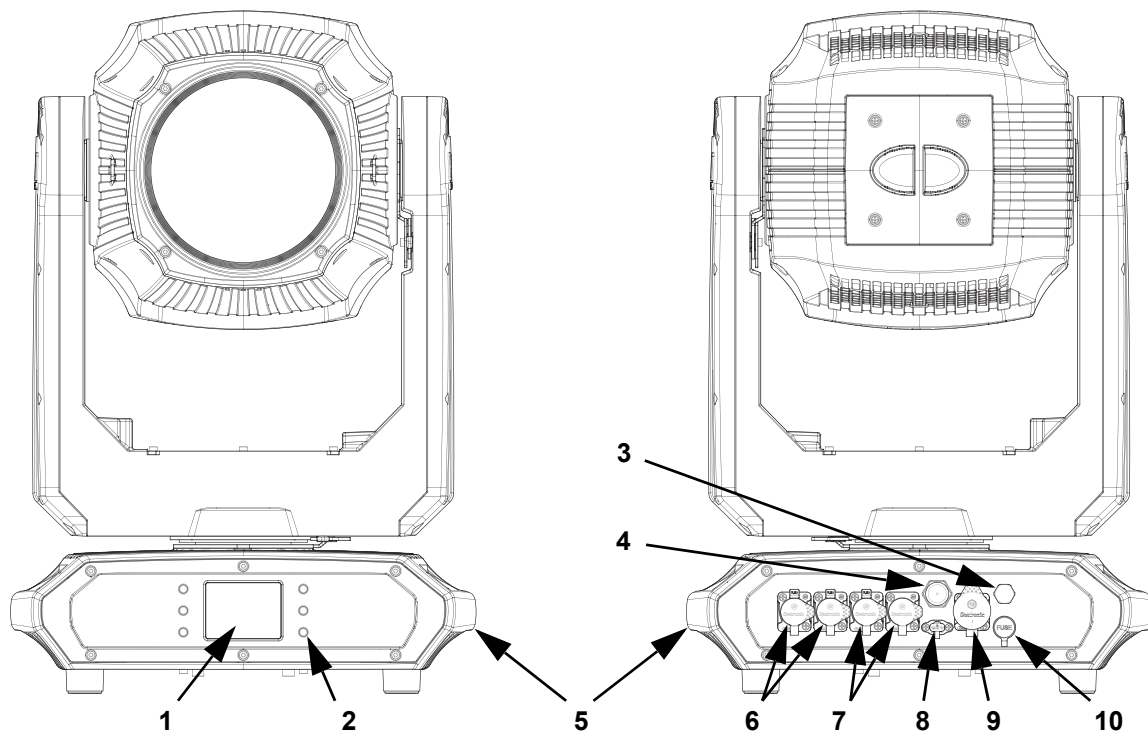
Description

The Maverick Storm 1 Beam brings CMY color mixing and stadium-scale output in a lightweight compact alloy-armored IP65-rated fixture that delivers sharp beam effects and precise color. With an optical system designed to capture the full force of its SIRIUS HRI 310W source, this powerful beam fixture slices through every other effect. Tightly focused aeriels and dual layerable independent prisms create massive visual effects, with frost to fine-tune looks and light distribution. The Maverick Storm 1 Beam works with DMX, Art-Net™, sACN, RDM and Lumenradio CRMX™.

Features

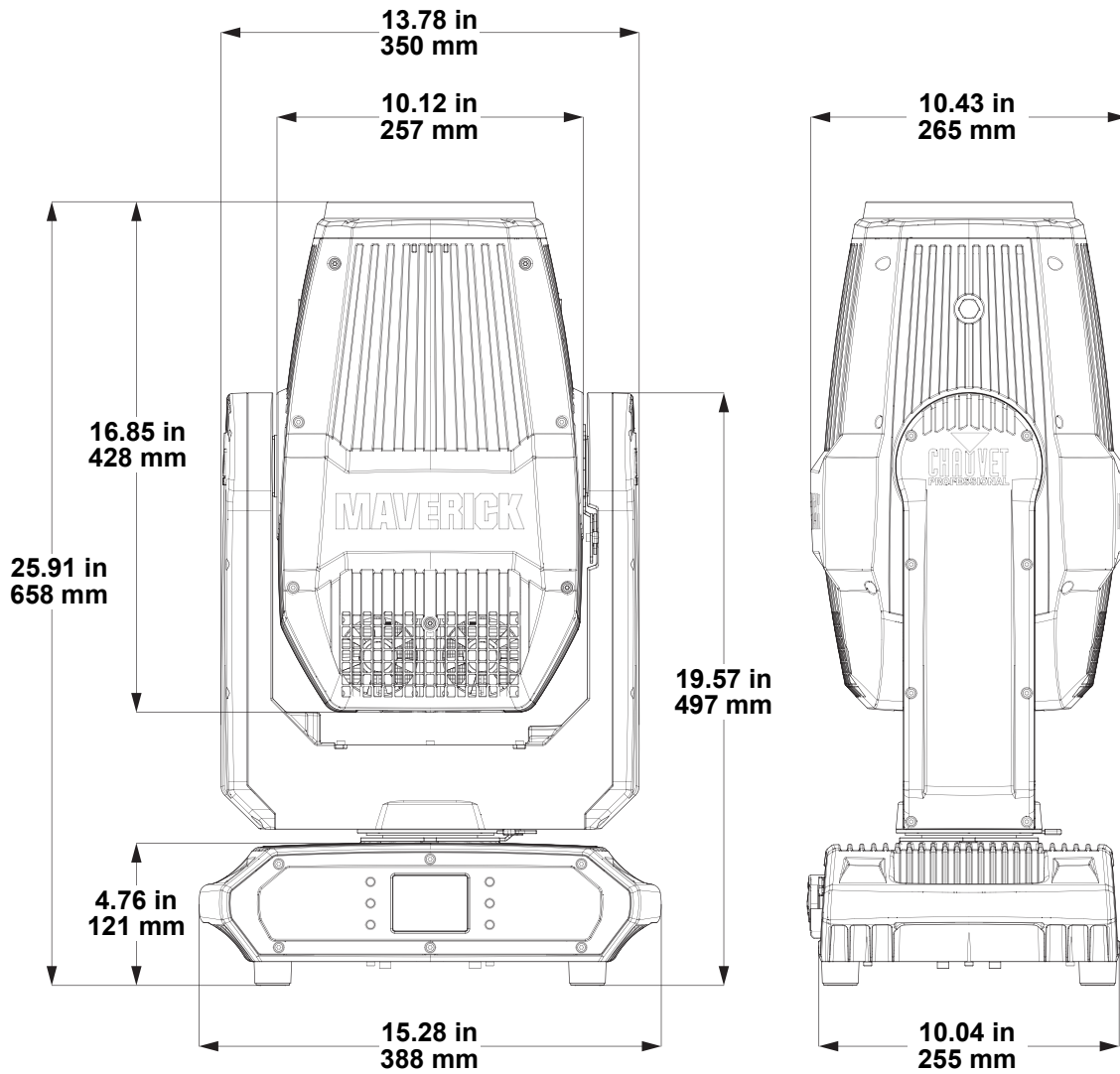
- Fully featured, IP65 rated, high powered Beam fixture with an OSRAM SIRIUS HRI 310 W lamp 6,000 hour life expectancy lamp, CMY color mixing, 1 gobo wheel, 2 layerable prisms, precision focus, and lightweight aluminum/magnesium housing
- CMY Color mixing
- 13 + open color wheel
- Frost for even light distribution
- Tight 0.9° narrow beam angle for focused air effects and no field spill
- Individually controllable and layerable 5 facet linear and 8 facet round prisms for maximizing visual impact
- 17 static gobos for massive visual effect
- DMX, RDM sACN, ArtNet, and Lumenradio CRMX™ protocol control
- True 1 compatible power input
- Easy to read OLED display with simple, effective menu options
- Failsafe Ethernet connectivity allows for data to pass even if fixture power is lost

Product Overview



#	Name	#	Name	#	Name
1	LCD display	5	Carry handle	9	Power in
2	Menu buttons	6	Ethernet ports	10	Fuse holder
3	GORE® valve	7	DMX in/out		
4	Antenna	8	USB-C port		

Product Dimensions



3. Setup

AC Power

The Maverick Storm 1 Beam has an auto-ranging power supply and it can work with an input voltage range of 100 to 240 VAC, 50/60 Hz.

To determine the product's power requirements (circuit breaker, power outlet, and wiring), use the current value listed on the label affixed to the product's back panel, or refer to the product's specifications chart. The listed current rating indicates the product's average current draw under normal conditions.



- **Always connect the product to a protected circuit (a circuit breaker or fuse). Make sure the product has an appropriate electrical ground to avoid the risk of electrocution or fire.**
- **To eliminate unnecessary wear and improve its lifespan, during periods of non-use completely disconnect the product from power via breaker or by unplugging it.**



Never connect the product to a rheostat (variable resistor) or dimmer circuit, even if the rheostat or dimmer channel serves only as a 0 to 100% switch.

AC Plug

The Maverick Storm 1 Beam comes with a power input cable terminated with a Seetronic Powerkon A connector on one end and an Edison plug on the other end (U.S. market). If it is necessary, use the table below to wire a new plug.

Connection	Wire (U.S.)	Wire (Europe)	Screw Color
AC Live	Black	Brown	Yellow or Brass
AC Neutral	White	Blue	Silver
AC Ground	Green/Yellow	Green/Yellow	Green

Fuse Replacement

1. Disconnect this product from the power outlet.
2. Using a flat-head screwdriver, unscrew the fuse holder cap from the housing.
3. Remove the blown fuse and replace with another fuse of the same type and rating (F 8 A, 250 V).
4. Screw the fuse holder cap back in place and reconnect power.

Signal Connections

The Maverick Storm 1 Beam can receive a DMX, Art-Net™, or sACN, signal. The Maverick Storm 1 Beam has two Amphenol XLRnet through ports, and 5-pin DMX in and out ports. If using other compatible products with this product, it is possible to control each individually with a single controller.

Control Personalities

The Maverick Storm 1 Beam uses a 5-pin DMX data connection, Lumenradio CRMX™, Art-Net™, or sACN for its two control personalities: **Dmx Mode 19 CH** and **Dmx Mode 21 CH**.

- Refer to the [Operation](#) chapter to learn how to configure the Maverick Storm 1 Beam to work in these personalities.
- The [Control Channel Assignments and Values](#) section provides detailed information regarding the control personalities.



For more information about DMX standards or the DMX cables needed to link this product to a DMX controller, download the DMX Primer from the Chauvet website:
www.chauvetprofessional.com.

DMX Linking

The Maverick Storm 1 Beam can link to a DMX controller using a 5-pin DMX connection or a Lumenradio CRMX™ connection. For more information about DMX, read the DMX primer at:
https://www.chauvetprofessional.com/wp-content/uploads/2016/06/DMX_Primer.pdf.

Remote Device Management

Remote Device Management, or RDM, is a standard for allowing DMX-enabled devices to communicate bi-directionally along existing DMX cabling. Check the DMX controller's User Manual or with the manufacturer as not all DMX controllers have this capability. The Maverick Storm 1 Beam supports RDM protocol that allows feedback to make changes to menu map options.

Setup

Art-Net™ Connection

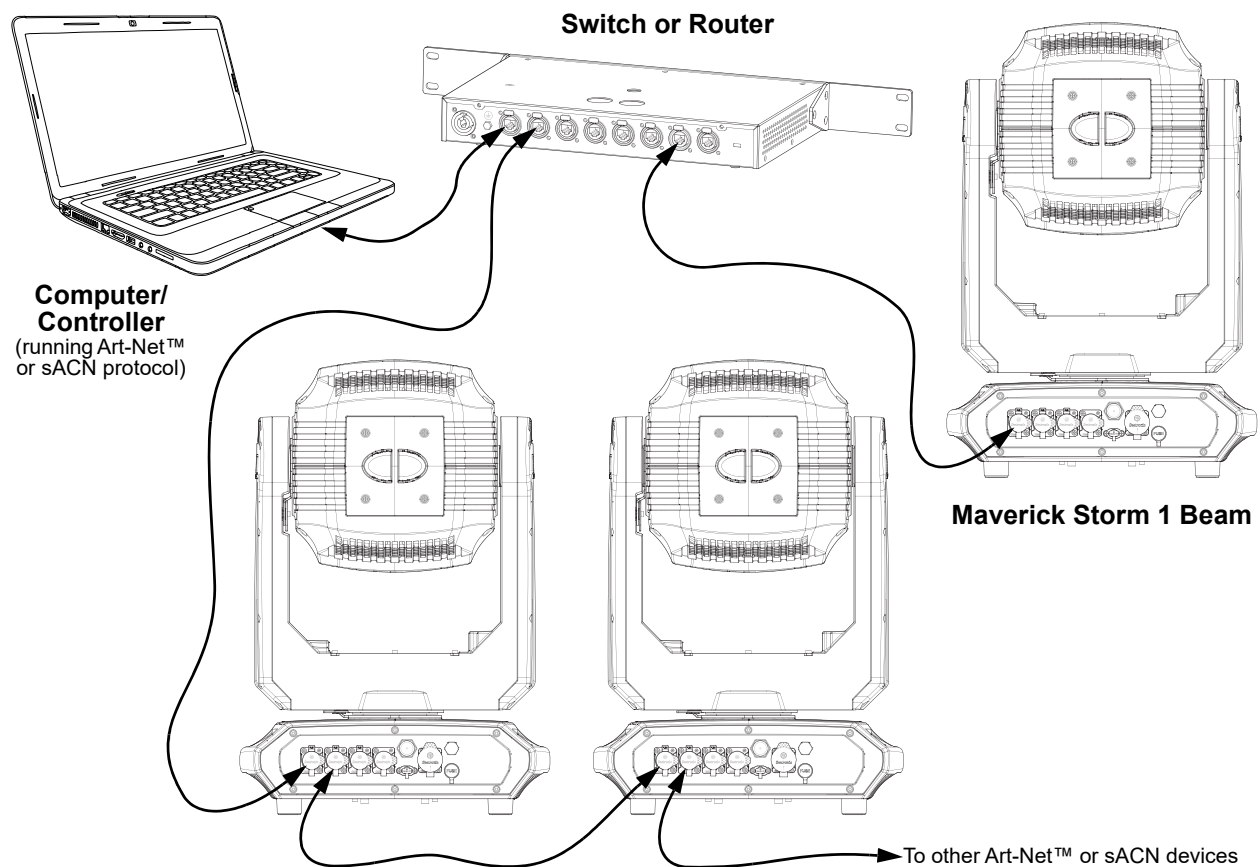
Art-Net™ is an Ethernet protocol that uses TCP/IP that transfers a large amount of DMX512 data using an Amphenol XLRnet RJ45 connection over a large network. An Art-Net™ protocol document is available from www.chauvetprofessional.com.

Art-Net™ designed by and copyright Artistic Licence Holdings Ltd.

sACN Connection

Streaming ACN (Architecture for Control Networks), also known as ANSI E1.31, is an Ethernet protocol that uses the layering and formatting of ACN to transport DMX512 data over IP or any other ACN-compatible network.

Connection Diagram



USB Software Update

The Maverick Storm 1 Beam allows for software updates with a USB device using the built-in USB port. To update the software using a USB flash drive, do the following:

1. Power on the product, and plug the flash drive into the USB port.
2. Once the flash drive has been detected, the message **"USB UPDATE"** will be displayed. Select **YES**.
3. The next screen will show the software versions available for this fixture on the USB drive. For multiple versions of the software for the same fixture, use **<UP>** or **<DOWN>** to select the desired version. Press **<ENTER>**.
4. The **"USB UPDATE"** screen will re-appear. Select **YES**.



It is possible to update multiple units with the USB if they are daisy chained via DMX.

5. The upgrade will start. **DO NOT** turn off the power or disconnect the USB while the USB LED is still blinking during the process. The screen display will read: **"USB Update Wait"**. The update can take several minutes to complete.
 - When the USB firmware is done uploading, in some fixtures, the display will change to: **"DO NOT UNPLUG, UPDATING"**.
6. When the update is completed, the fixture will automatically reboot.
7. Go to Fixture Information on the product's menu map and confirm the firmware revision.
8. When the boot-up process is finished, restart the product.



- **Place the .chl file in the root directory of the USB drive.**
- **The product's USB port supports up to 32GB capacity and only works with FAT32 file format.**



Turning off the power or removing the USB while the USB LED is still blinking during the update will cause partial or total firmware failure in the targeted fixture(s). If this occurs, the user will need the UPLOAD 08 device to fix this. Please contact Chauvet regarding this device.

Setup

Mounting

Before mounting the product, read and follow the safety recommendations indicated in the Safety Notes. For our Chauvet Professional line of mounting clamps, go to <http://trusst.com/products/>.

Orientation

Always mount this product in a safe position, making sure there is adequate room for ventilation, configuration, and maintenance.

Rigging

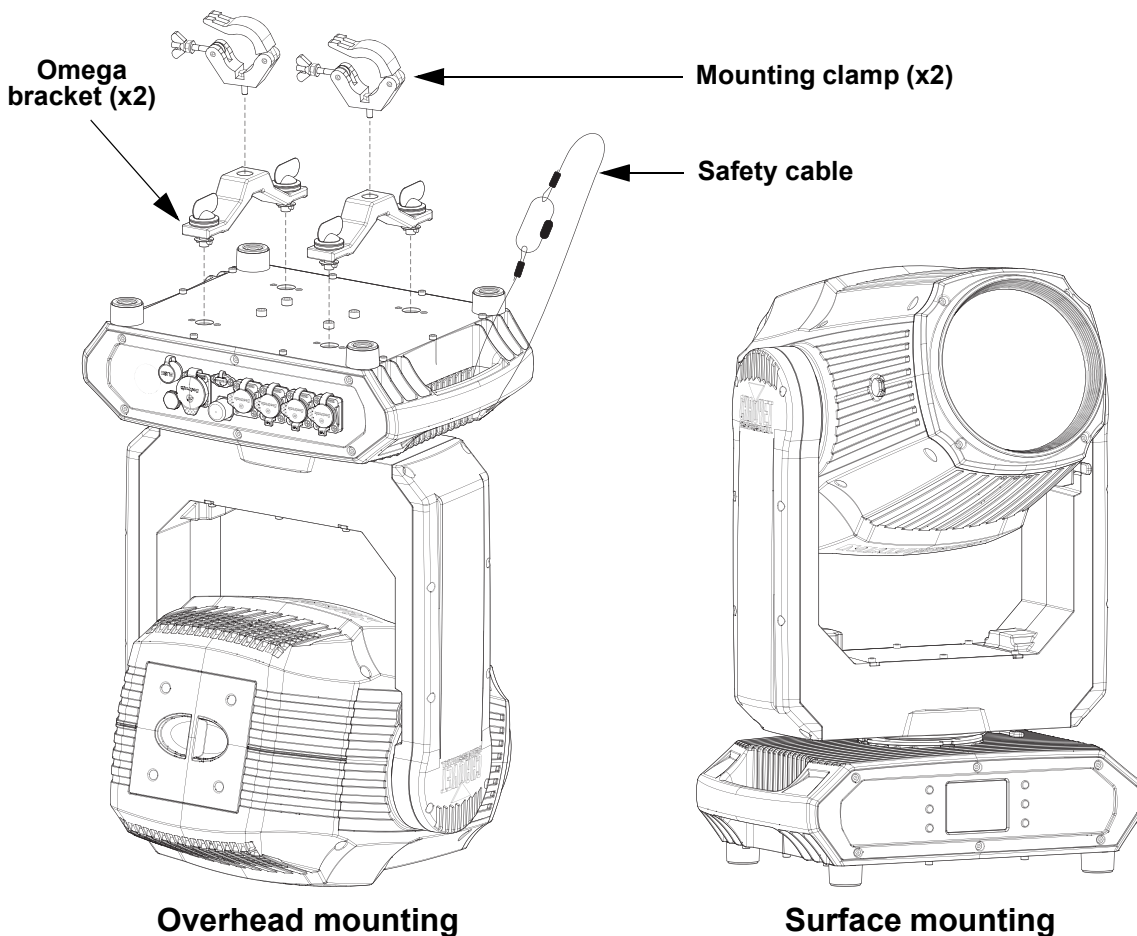
Chauvet recommends using the following general guidelines when mounting this product.

- Before deciding on a location for the product, make sure there is easy access to the product for maintenance and programming purposes.
- Make sure that the structure and attachment points can support the weight before hanging the product (see the [Technical Specifications](#) for weight information).
- When mounting the product overhead, always use a safety cable. Mount the product securely to a rigging point, whether an elevated platform or a truss.
- When rigging the product onto a truss, use a mounting clamp of appropriate weight capacity.

Procedure

The Maverick Storm 1 Beam comes with 2 Omega brackets. The user can directly attach mounting clamps (sold separately). Make sure the clamps are capable of supporting the weight of this product. Use at least two mounting points per product. For the Chauvet Professional line of mounting clamps, go to <http://www.trusst.com/products>.

Mounting Diagram



Lamp Replacement

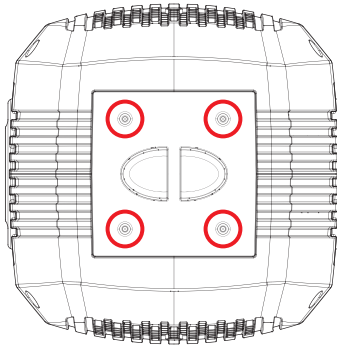
The Maverick Storm 1 Beam is equipped with an OSRAM SIRIUS HRI 310 W lamp. Follow the procedure below to safely change the lamp.



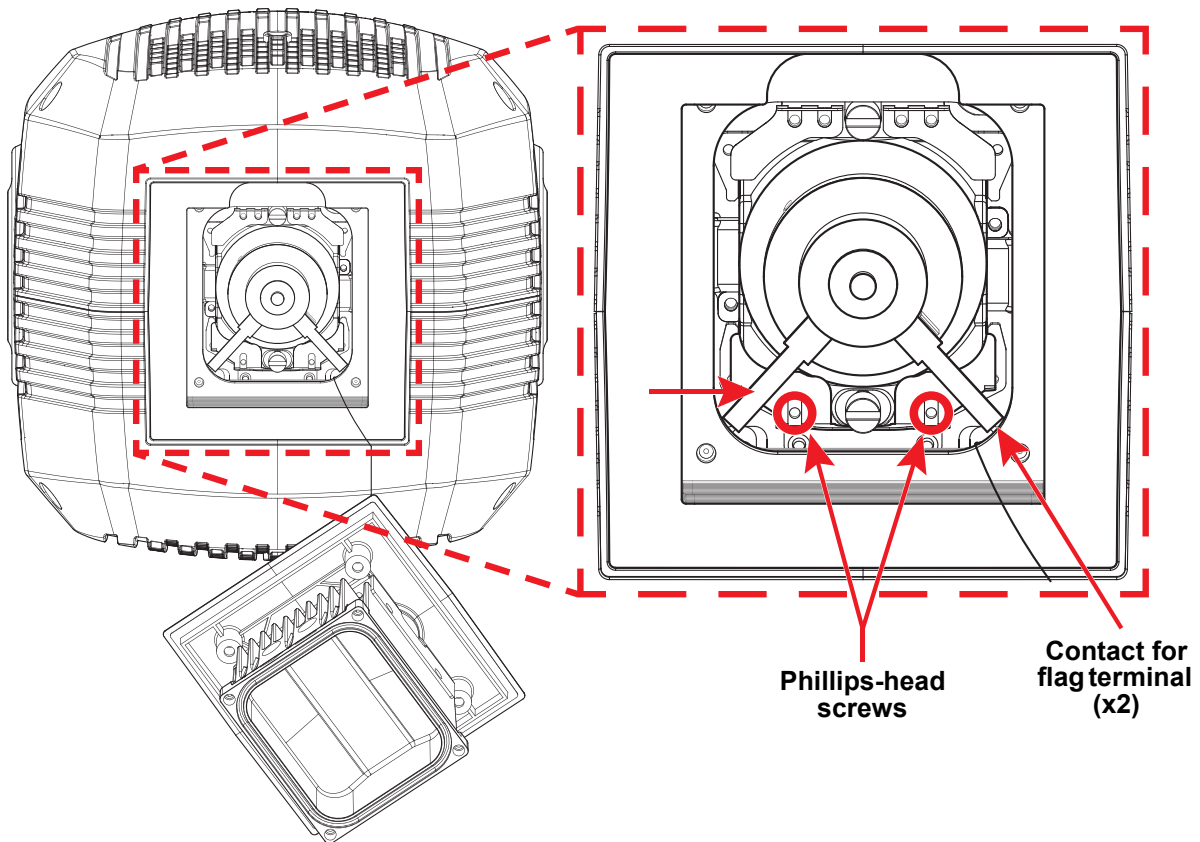
Disconnect the product from power before performing this procedure.

Procedure

1. Turn the product off and disconnect it from power. Wait at least 15 minutes for the lamp to cool down.
2. Loosen the 4 indicated screws with a 3 mm hex key until the bottom plate can be removed.

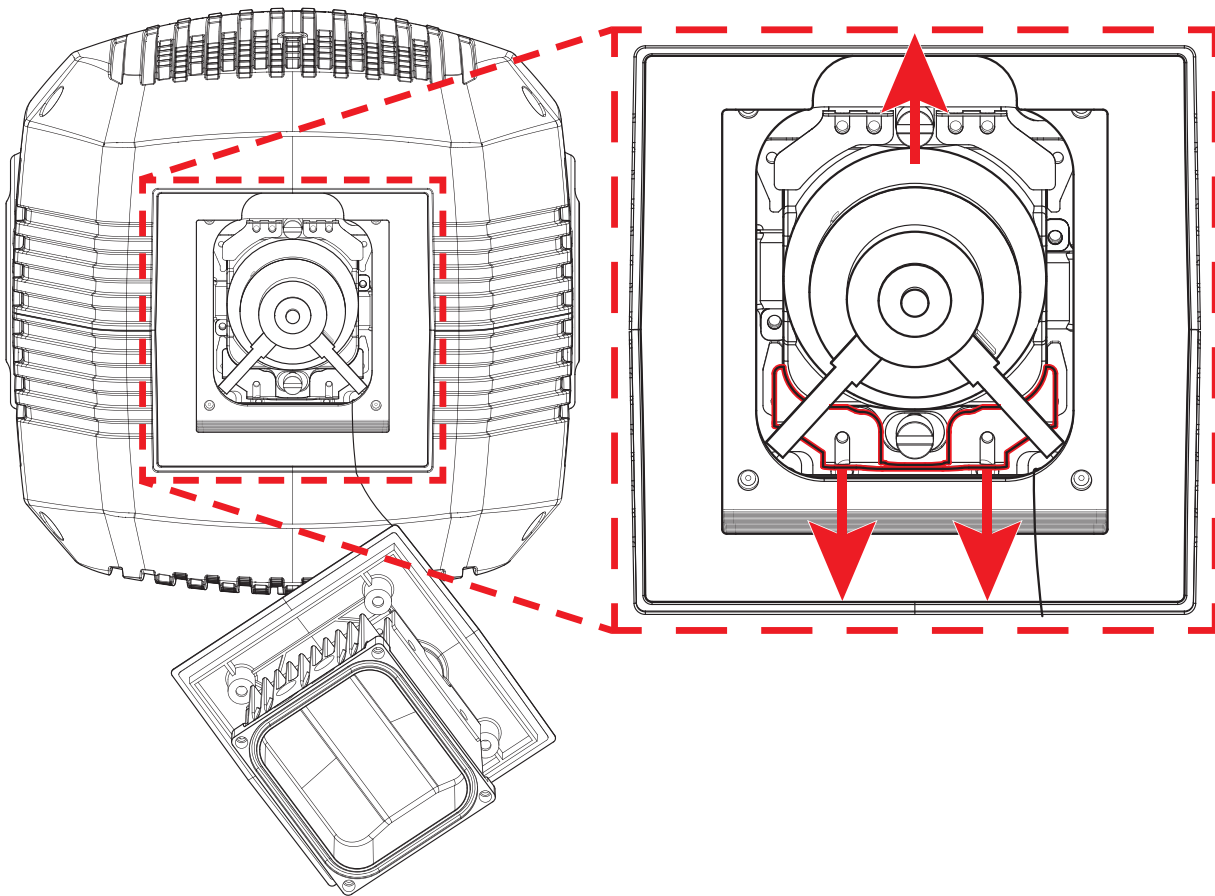


3. Carefully remove the bottom plate and heat sink and allow it to hang by the safety cord.
4. Remove the 2 wires connected to the lamp by the flag terminals.



5. Loosen the 2 indicated screws with a Phillips-head screwdriver.

- Using the lamp base, push the lamp away from the loosened plate.



- Slide the loosened plate away from the lamp.
- Roll the lamp out and pull it away.
- Reverse the steps above to install the new lamp. **DO NOT** touch the glass with bare hands!









DO NOT turn the product on without a lamp!

Increasing Lamp Lifespan

- ALWAYS turn the lamp off by using the DMX controller or the product's control panel, then wait at least 5 minutes before switching off the product. This will keep the fans running to extract any remaining heat from the product's head.
- DO NOT power cycle the product unless it is necessary.
- DO NOT re-strike the lamp immediately after turning it off. It is recommended to wait 5 minutes before trying to re-strike the lamp.
- DO NOT touch the lamp without wearing gloves to avoid leaving grease on the bulb or on the contacts that could reduce the lamp's life.
- ALWAYS change the lamp when it has reached its recommended lifespan to avoid the risk of lamp explosion.

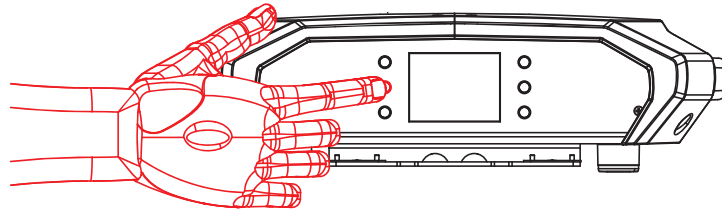
4. Operation

Control Panel Description

Button	Name	Function
	<UP>	Navigates upwards through the menu list or increases the value when in a function
	<MENU>	Exits from the current menu or function
	<DOWN>	Navigates downwards through the menu list or decreases the value when in a function
	<LEFT>	Navigates leftwards through the menu list
	<ENTER>	Enables the currently displayed menu or sets the selected value into the function
	<RIGHT>	Navigates rightwards through the menu list

Battery Powered Display

The Maverick Storm 1 Beam has a battery powered display which enables access to the menu when the product is powered off. Press and hold <MENU> until the display activates (approximately 15 seconds).



Home Screen

The Maverick Storm 1 Beam has a home screen that shows the current control protocols, personalities, starting addresses, IP addresses, and universes. To see the home screen, press <MENU> repeatedly until it shows on the display. From the home screen, touch any of the displayed control settings to immediately jump to that part of the menu, such as the personality, starting address, or universe, or press <ENTER> to reach the main menu.

Control Panel Lock

The setting locks or unlocks the control panel.

1. Go to the **Settings** main level.
2. Select the **Lock Screen** option.
3. Select **NO** (control panel stays unlocked) or **YES** (locks control panel).



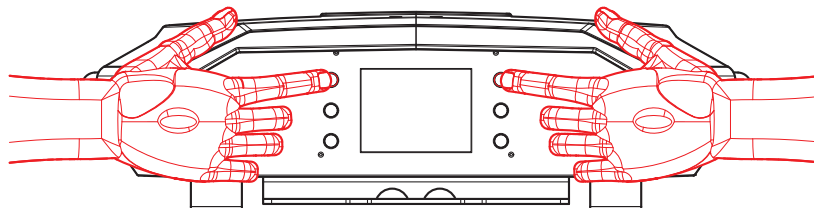
When the control panel lock is activated, the product will prompt for the passcode in order to access the menu. Enter the passcode as described below.

Passcode

After being prompted to enter the passcode, enter the numbers **0920**.

Technician Mode

The technician mode disables the pan/tilt motors, allowing the output of the product to be aimed by hand. To enable the technician mode of the Maverick Storm 1 Beam, hold <UP> and <LEFT> while the product is powering on. When the product is turned off and back on, the pan and tilt will return to normal function.



Menu Map

Refer to the Maverick Storm 1 Beam product page on www.chauvetprofessional.com for the latest menu map.

Main Level	Programming Levels		Description
Address	001–512		Sets the starting address
Network Setup	IP Mode	Manual	Manually set IP address
		DHCP	Network sets IP address
		Static	Product sets IP address
	Universe	000–255 (Art-Net™) 001–256 (sACN)	Sets the universe
	Ip	_____ (000–255)	Sets the IP address in Manual mode
SubMask	_____ (000–255)	Sets the Subnet Mask in Manual mode	
Personality	Dmx Mode 19 CH	NO	Selects the 19-channel mode
	Dmx Mode 21 CH	YES	Selects the 21-channel mode
Settings	Control Mode	DMX	Sets wired DMX control
		WDMX	Sets Lumenradio CRMX™ control
		ArtNet	Sets Art-Net™ control
		sACN	Sets sACN control
	Pan Reverse	NO	Normal pan
		YES	Reversed pan
	Tilt Reverse	NO	Normal tilt
		YES	Reversed tilt
	Screen Reverse	NO	Normal screen display
		YES	Inverted screen display
		AUTO	Automatic display orientation
	Pan Angle	540	540° pan range
		360	360° pan range
		180	180° pan range
	Tilt Angle	270	270° tilt range
		180	180° tilt range
		90	90° tilt range
	BL. O. P/T Move	NO	Enable/disable blackout while panning/tilting
		YES	
	BL. O. Color Move	NO	Enable/disable blackout while color wheel is moving
		YES	
	BL. O. Gobo Move	NO	Enable/disable blackout while gobo wheels are moving
		YES	
	Lock Screen	NO	Lock the buttons
YES		Passcode: 0920	
Swap XY	NO	Do not swap pan and tilt	
	YES	Pan controls tilt, tilt controls pan	
WDMX Reset	NO	Do not reset Lumenradio CRMX™	
	YES	Reset Lumenradio CRMX™	
Backlight Timer	30S	Display turns off after 30 seconds	
	1M	Display turns off after 1 minute	
	5M	Display turns off after 5 minutes	
	ON	Display stays on	
Loss of Data	Hold	Holds last signal received	
	Close	Blacks out fixture	

Main Level	Programming Levels		Description	
Settings (cont.)	Lamp Setting	On/Off	OFF ON	Turns lamp on/off
		State/Power on	OFF ON	Defines the status of lamp when powering up product
		Off Via Dmx	NO YES	Turns off the unit via DMX controller
		On If Dmx on	NO YES	Turns lamp on when DMX signal is detected
		Off If Dmx Off	NO YES	Turns lamp off when DMX signal is lost
		Ignition Delay	10–255	Sets the delay duration between product power on and lamp power on
		Low Power Delay	0–255	Sets the delay duration when shutter is closed and lamp enters lower power state
		Reset Lamp Time	NO RESET	Leaves lamp time unchanged Resets lamp timer to 0
	Maintenance Timer	Interval	10–250	Defines amount of hours between maintenance
		Remain Time	NO RESET	Shows maintenance timer. Select RESET to reset.
	Preset Select	PRESET A		Recorded preset menu options
		PRESET B		
		PRESET C		
	Preset Sync	NO		Transfers recorded preset menu options to other Maverick Storm 1 Beam fixtures in the DMX daisy chain
		YES		
	USB Update	NO		Update firmware via USB C
		YES		
	Reset Function	Pan/Tilt	NO YES	Reset individual functions or all functions from start-up
		Shutter/Prism		
		Color/CMY		
Gobo				
Focus/Frost				
Factory Settings	NO		Reset to factory default settings	
	YES			
Test	Auto Test		Auto test all functions	
	Manual Test	Pan	0–255	Manually control and test all settings through the control panel
		Pan Fine		
		Tilt		
		Tilt Fine		
		P/T Speed		
		Dimmer		
		Dimmer Fine		
		Shutter		
		Cyan		
		Magenta		

Main Level	Programming Levels		Description	
Test (cont.)	Manual Test (cont.)	Yellow	0-255	Manually control and test all settings through the control panel
		Color		
		Gobo		
		Prism1		
		Prism1 Rotate		
		Prism2		
		Prism2 Rotate		
		Frost		
		Focus		
		Focus Fine		
Information	Fixture Information	Ver V_ _ _ _ _	Shows firmware version	
		Running Mode _ _ _ _	Shows current running mode	
		DMX Address _ _ _	Shows current starting address	
		Temperature _ _ _	Shows current product temperature	
		Fixture Hours _ _ _ _ _	Shows hours product has been on	
		Ip _ _ _ _ _	Shows current IP address	
		SubMask _ _ _ _ _	Shows current Subnet Mask	
		MAC _ _ _ _ _	Shows MAC address	
		UID _ _ _ _ _	Shows product UID	
		Lamp On Time _ _ _	Shows lamp on time	
	Remain Time _ _ _	Shows lamp maintenance time		
	Fan Information	MFan1-2 Speed _ _ _ _	Shows speed of each fan in rpm	
		lamp MFan3-4 Speed _ _ _ _		
		MFan5-7 Speed _ _ _ _		
		AFan1 Speed _ _ _ _		
		Fan1-2 Speed _ _ _ _		
		Base Fan1-2 Speed _ _ _ _		
		Power _ _ _ w		Shows electrical data
	Voltage _ _ _ V			
	Current _ . _ A			
Error Information	Gravity _ _ _ _ _	Shows product orientation		
	_ _ _ _ _	Shows any errors, or No Error!		
Channel Information	Frequency	000-255	Shows all current values from input signals	
	Pan			
	Pan Fine			
	Tilt			
	Tilt Fine			
	P/T Speed			
	Dimmer			
	Shutter			
	Cyan			
	Magenta			
	Yellow			
	Color			

Main Level	Programming Levels		Description
Information (cont.)	Channel Information (cont.)	Gobo	000–255 Shows all current values from input signals
		Prism1	
		Prism1 Rotate	
		Prism2	
		Prism2 Rotate	
		Frost	
		Control	

Control Configuration

Use control configurations to operate the product with a DMX, Art-Net™, or sACN controller.

Control Mode

The Maverick Storm 1 Beam works with wired DMX, Lumenradio CRMX™, Art-Net™, and sACN control signals. To select which protocol to use:

1. Go to the **Settings** main level.
2. Select the **Control Mode** option.
3. Select the desired protocol, from **DMX**, **WDMX** (Lumenradio CRMX™), **ArtNet**, or **sACN**.

Control Personalities

To set the control personality:

1. Go to the **Personality** main level.
2. Select the desired personality, from **Dmx Mode 19 CH** or **Dmx Mode 21 CH**.



- See the [Starting Address](#) section for the highest selectable starting address for each personality.
- Make sure that the starting addresses on the various products do not overlap due to the new personality setting.

Starting Address

Each product will respond to a unique starting address from the controller. All products with the same starting address will respond in unison. To set the starting address:

1. Go to the **Address** main level.
2. Select the starting address (**001–512**).
 - The highest recommended starting address for **Dmx Mode 19 CH** is **494**.
 - The highest recommended starting address for **Dmx Mode 21 CH** is **492**.

Network Setup

The Network Setup settings control the IP address, subnet mask, and universe of the product.

IP Mode

To choose how the IP address is set:

1. Go to the **Network Setup** main level.
2. Select the **IP Mode** option.
3. Select the desired IP mode, from **Manual** (to set a custom IP address), **DHCP** (the IP address is assigned by the connected network), or **Static** (the product uses a default, preset IP address).

Universe

To assign an Art-Net™ or sACN universe to the Maverick Storm 1 Beam:

1. Go to the **Network Setup** main level.
2. Select the **Universe** option.
3. Set the universe, from **000–255** (for Art-Net™) or from **001–256** (for sACN).

Manual IP Address

To set the IP address when the **IP Mode** is set to **Manual**:

1. Go to the **Network Setup** main level.
2. Select the **Ip** option.
3. Set the 4 values of the IP address from **000–255**.

Operation

Subnet Mask

To set the subnet mask:

1. Go to the **Network Setup** main level.
2. Select the **SubMask** option.
3. Set the 4 values of the subnet mask from **000–255**.

Control Channel Assignments and Values

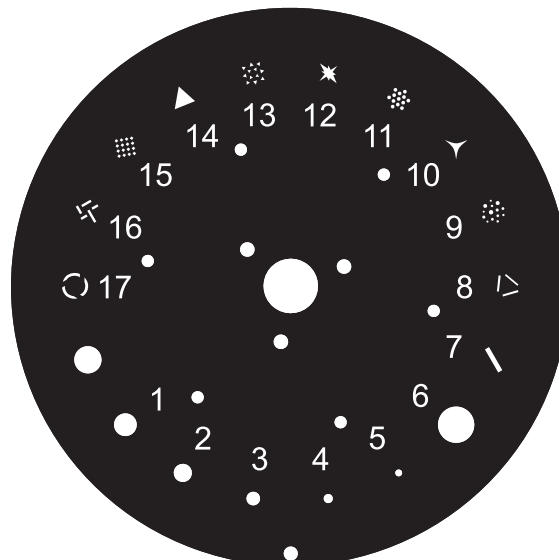
19CH	21CH	Function	Value	Percent/Setting
1	1	Pan	000 ⇔ 255	0–100%
2	2	Fine pan	000 ⇔ 255	Fine control (16-bit)
3	3	Tilt	000 ⇔ 255	0–100%
4	4	Fine tilt	000 ⇔ 255	Fine control (16-bit)
5	5	Pan/tilt speed	000 ⇔ 255	Fast to slow
6	6	Dimmer	000 ⇔ 255	0–100%
–	7	Fine dimmer	000 ⇔ 255	Fine control (16-bit)
7	8	Strobe	000 ⇔ 007	Off
			008 ⇔ 015	On
			016 ⇔ 131	Synchronized strobe, slow to fast
			132 ⇔ 167	0–100% strobe, slow to fast
			168 ⇔ 203	100–0% strobe, slow to fast
			204 ⇔ 239	Pulse strobe, slow to fast
			240 ⇔ 250	Random strobe, slow to fast
251 ⇔ 255	On			
8	9	Cyan	000 ⇔ 255	0–100%
9	10	Magenta	000 ⇔ 255	0–100%
10	11	Yellow	000 ⇔ 255	0–100%
11	12	Color wheel	000 ⇔ 001	Open
			002 ⇔ 005	Color 1 (red)
			006 ⇔ 009	Color 2 (orange)
			010 ⇔ 013	Color 3 (cyan)
			014 ⇔ 017	Color 4 (lime)
			018 ⇔ 021	Color 5 (yellow)
			022 ⇔ 025	Color 6 (green)
			026 ⇔ 029	Color 7 (magenta)
			030 ⇔ 033	Color 8 (blue)
			034 ⇔ 037	Color 9 (amber)
			038 ⇔ 041	Color 10 (light blue)
			042 ⇔ 045	Color 11 (CTO)
			046 ⇔ 049	Color 12 (CTB)
			050 ⇔ 053	Color 13 (UV)
			054 ⇔ 057	Frost
			058 ⇔ 059	Open
			060 ⇔ 187	Color wheel indexing
188 ⇔ 219	Color scroll, fast to slow			
220 ⇔ 223	Stop			
224 ⇔ 255	Reverse color scroll, slow to fast			

19CH	21CH	Function	Value	Percent/Setting
12	13	Gobo wheel (see Gobo Wheel)	000 ⇔ 003	Open
			004 ⇔ 006	Gobo 1
			007 ⇔ 009	Gobo 2
			010 ⇔ 012	Gobo 3
			013 ⇔ 015	Gobo 4
			016 ⇔ 018	Gobo 5
			019 ⇔ 021	Gobo 6
			022 ⇔ 024	Gobo 7
			025 ⇔ 027	Gobo 8
			028 ⇔ 030	Gobo 9
			031 ⇔ 033	Gobo 10
			034 ⇔ 036	Gobo 11
			037 ⇔ 039	Gobo 12
			040 ⇔ 042	Gobo 13
			043 ⇔ 045	Gobo 14
			046 ⇔ 048	Gobo 15
			049 ⇔ 051	Gobo 16
			052 ⇔ 055	Gobo 17
			056 ⇔ 059	Open
			060 ⇔ 063	Gobo 1 shaking, slow to fast
			064 ⇔ 067	Gobo 2 shaking, slow to fast
			068 ⇔ 071	Gobo 3 shaking, slow to fast
			072 ⇔ 075	Gobo 4 shaking, slow to fast
			076 ⇔ 079	Gobo 5 shaking, slow to fast
			080 ⇔ 083	Gobo 6 shaking, slow to fast
			084 ⇔ 087	Gobo 7 shaking, slow to fast
			088 ⇔ 091	Gobo 8 shaking, slow to fast
			092 ⇔ 095	Gobo 9 shaking, slow to fast
			096 ⇔ 099	Gobo 10 shaking, slow to fast
			100 ⇔ 103	Gobo 11 shaking, slow to fast
104 ⇔ 107	Gobo 12 shaking, slow to fast			
108 ⇔ 111	Gobo 13 shaking, slow to fast			
112 ⇔ 115	Gobo 14 shaking, slow to fast			
116 ⇔ 119	Gobo 15 shaking, slow to fast			
120 ⇔ 123	Gobo 16 shaking, slow to fast			
124 ⇔ 127	Gobo 17 shaking, slow to fast			
128 ⇔ 189	Gobo scroll, fast to slow			
190 ⇔ 193	Stop			
194 ⇔ 255	Reverse gobo scroll, slow to fast			
13	14	Prism 1	000 ⇔ 004	No function
			005 ⇔ 255	Prism insert
14	15	Prism 1 rotate	000 ⇔ 127	Prism index
			128 ⇔ 189	Prism rotation, fast to slow
			190 ⇔ 193	Stop
			194 ⇔ 255	Reverse prism rotation, slow to fast
15	16	Prism 2	000 ⇔ 004	No function
			005 ⇔ 255	Prism insert

Operation

19CH	21CH	Function	Value	Percent/Setting
16	17	Prism 2 rotate	000 ⇔ 127	Prism index
			128 ⇔ 189	Prism rotation, fast to slow
			190 ⇔ 193	Stop
			194 ⇔ 255	Reverse prism rotation, slow to fast
17	18	Frost	000 ⇔ 255	0–100%
18	19	Focus	000 ⇔ 255	0–100%
–	20	Fine focus	000 ⇔ 255	Fine control (16-bit)
19	21	Control (3 second hold)	000 ⇔ 029	No function
			030 ⇔ 039	Pan/tilt swap on
			040 ⇔ 049	Pan/tilt swap off
			050 ⇔ 069	No function
			070 ⇔ 079	Pan/tilt blackout on
			080 ⇔ 089	Pan/tilt blackout off
			090 ⇔ 099	Color wheel blackout on
			100 ⇔ 109	Color wheel blackout off
			110 ⇔ 119	Gobo wheel blackout on
			120 ⇔ 129	Gobo wheel blackout off
			130 ⇔ 139	Lamp on
			140 ⇔ 149	Pan/tilt reset
			150 ⇔ 159	Color wheel/CMY reset
			160 ⇔ 169	Gobo wheel reset
			170 ⇔ 179	Shutter/prism reset
			180 ⇔ 189	No function
			190 ⇔ 199	Focus/frost reset
200 ⇔ 209	All reset			
210 ⇔ 219	Blackout on			
220 ⇔ 229	Blackout off			
230 ⇔ 239	Lamp off			
240 ⇔ 255	No function			

Gobo Wheel



Settings Configuration

Pan Reverse

To set the orientation of the pan:

1. Go to the **Settings** main level.
2. Select the **Pan Reverse** option.
3. Select from **NO** (normal pan motion), or **YES** (reversed pan motion).

Tilt Reverse

To set the orientation of the tilt:

1. Go to the **Settings** main level.
2. Select the **Tilt Reverse** option.
3. Select from **NO** (normal tilt motion), or **YES** (reversed tilt motion).

Screen Reverse

To set the orientation of the display:

1. Go to the **Settings** main level.
2. Select the **Screen Reverse** option.
3. Select from **NO** (right-side up), **YES** (upside-down), or **AUTO** (automatic orientation).

Pan Angle

To set the maximum angle of the pan:

1. Go to the **Settings** main level.
2. Select the **Pan Angle** option.
3. Select from **540** (540°), **360** (360°), or **180** (180°).

Tilt Angle

To set the maximum angle of the tilt:

1. Go to the **Settings** main level.
2. Select the **Tilt Angle** option.
3. Select from **270** (260°), **180** (180°), or **90** (90°).

Black out on Movement

To set the product to black out while the pan/tilt, color wheel, or gobo wheels are moving:

1. Go to the **Settings** main level.
2. Select from the **BL. O. P/T Move** (black out on pan/tilt movement), **BL. O. ColorMove** (black out on color wheel movement), or **BL. O. GoboMove** (black out on gobo wheel movement) options.
3. Select from **NO** or **YES**.

Swap Pan and Tilt

To swap the controls for the pan and tilt:

1. Go to the **Settings** main level.
2. Select the **Swap XY** option.
3. Select from **NO** (pan controls pan, tilt controls tilt) or **YES** (pan controls tilt, tilt controls pan).

Lumenradio CRMX™ Reset

To reset the Lumenradio CRMX™ connection:

1. Go to the **Settings** main level.
2. Select the **WDMX Reset** option.
3. Select from **NO** or **YES**.

Display Backlight Timer

To set how long before an inactive display will turn off:

1. Go to the **Settings** main level.
2. Select the **Backlight Timer** option.
3. Select the length of the backlight timer, from **30S** (30 seconds), **1M** (1 minute), **5M** (5 minutes), or **ON** (always on).

Operation

Loss of Data

To select how the product will respond to a loss of the control signal:

1. Go to the **Settings** main level.
2. Select the **Loss of Data** option.
3. Select from **Hold** (holds last signal received) or **Close** (blacks out fixture).

Lamp Settings

To access the lamp settings of the Maverick Storm 1 Beam:

1. Go to the **Setup** main level.
2. Select the **Lamp Settings** option.

Lamp On/Off

To turn the lamp on or off:

1. Access the [Lamp Settings](#).
2. Select the **On/Off** option.
3. Select from **ON** or **OFF**.

Lamp State at Power On

To select whether the lamp will turn on when the product powers on:

1. Access the [Lamp Settings](#).
2. Select the **State/Power on** option.
3. Select from **ON** (lamp will turn on when the product powers on), or **OFF** (lamp must be turned on manually).

Off Via DMX

To enable the ability to turn the lamp off with a DMX controller:

1. Access the [Lamp Settings](#).
2. Select the **Off Via DMX** option.
3. Select from **NO** (DMX may not turn lamp off), or **YES** (DMX may turn lamp off).

On If DMX On

To set the lamp to turn on when a DMX signal is detected:

1. Access the [Lamp Settings](#).
2. Select the **On If DMX On** option.
3. Select from **NO** (detecting a DMX signal will not turn on the lamp), or **YES** (detecting a DMX signal will turn on the lamp).

Off If DMX Off

To set the lamp to turn off when a DMX signal is not detected:

1. Access the [Lamp Settings](#).
2. Select the **Off If DMX Off** option.
3. Select from **NO** (detecting no DMX signal will not turn off the lamp), or **YES** (detecting no DMX signal will turn off the lamp).

Ignition Delay

To set the time in seconds between the product powering on and the lamp turning on (when **State/Power On** is set to **ON**):

1. Access the [Lamp Settings](#).
2. Select the **Ignition Delay** option.
3. Set the delay time from **0–255** (seconds).

Low Power Delay

To set the time in seconds before the lamp enters low power mode with the shutter closed:

1. Access the [Lamp Settings](#).
2. Select the **Low Power Delay** option.
3. Set the delay time from **0–255** (seconds).

Reset Lamp On Time

To reset the Lamp On Time counter (see the [System Information](#)):

1. Access the [Lamp Settings](#).
2. Select the **Reset Lamp Time** option.
3. Select from **NO** (will not reset counter), or **RESET** (resets counter).

Maintenance Timer Interval

To set the interval of the maintenance timer (how long before the product signals it needs maintenance):

1. Go to the **Setup** main level.
2. Select the **Maintenance Timer** option.
3. Select the **Interval** option.
4. Set the interval time from **010–250** (hours).

Reset Maintenance Timer

To reset the maintenance timer:

1. Go to the **Setup** main level.
2. Select the **Maintenance Timer** option.
3. Select the **Remain Time** option. The time remaining will display (it is also visible in the [System Information](#)).
4. Select from **RESET** (will reset the timer), or **NO** (will not reset the timer).

Preset Selection

To select a preset configuration of menu options:

1. Go to the **Settings** main level.
2. Select the **Preset Select** option.
3. Select from **PRESET A** (default), **PRESET B**, or **PRESET C**.



- **Changes to settings automatically save to the currently selected Preset.**
- **If no Preset has been selected, changes to settings save to PRESET A.**
- **After selecting a Preset, the product will restart.**

Preset Synchronization

To transfer saved Presets from one Maverick Storm 1 Beam to another:

1. Connect the Maverick Storm 1 Beam products to receive the Presets by a DMX daisy chain.
2. Make the Maverick Storm 1 Beam with the Presets to transfer the first in the DMX daisy chain.
3. Power on all of the products.
4. Set all of the products to a [Control Mode](#) other than **WDMX**. (**DMX**, **ArtNet**, or **sACN**)
5. On the Maverick Storm 1 Beam with the Presets, go to the **Settings** main level.
6. Select the **Preset Sync** option.
7. Select **NO** (to cancel) or **YES** (to transfer the Presets to the connected products).



- **All menu configurations are transferred except for the IP address.**
- **ONLY connect Maverick Storm 1 Beam products for this function!**

USB Update

To enable or disable software update using USB:

1. Go to the **Settings** main level.
2. Select the **USB Update** option.
3. Select **NO** (disables software update through USB) or **YES** (enables software update through USB).



See the [USB Software Update](#) section for the detailed instructions on how to update the Maverick Storm 1 Beam software using a USB C connection.

Reset Function

To reset specific functions or the entire product:

1. Go to the **Settings** main level.
2. Select the **Reset Function** option.
3. Select the functions to reset, from **Pan/Tilt**, **Shutter/Prism**, **Color/CMY**, **Gobo**, **Focus/Frost**, or **All**.
4. Select **NO** (to cancel) or **YES** (to reset the selected functions).

Operation

Factory Reset

To reset the product to factory settings:

1. Go to the **Settings** main level.
2. Select the **Factory Reset** option.
3. Select **NO** (to cancel) or **YES** (to reset the product configuration).

Test Mode

Auto Test

To have the Maverick Storm 1 Beam automatically test all functions one after the other:

1. Go to the **Test** main level.
2. Select the **Auto Test** option.

Manual Test

To manually test an individual function of the Maverick Storm 1 Beam:

1. Go to the **Test** main level.
2. Select the **Manual Test** option.
3. Select a function to test, from **Pan, Pan Fine, Tilt, Tilt Fine, P/T Speed, Dimmer, Dimmer Fine, Shutter, Cyan, Magenta, Yellow, Color, Gobo, Prism1, Prism1 Rotate, Prism2, Prism2 Rotate, Frost, Focus, Focus Fine, or Control**.
4. Increase or decrease the value of the selected function from **0–255** to test it.

System Information

The information section of the menu displays statistics and the current status of the product's various functions. To view this information:

1. Go to the **Information** main level.
2. Select from the **Fixture Information, Fan Information, Error Information, or Channel Information** options.
3. Use **<UP>** and **<DOWN>** to view all information.

Offset Mode (Zero Adjust)

The Offset mode provides fine adjustments for the home position of every moving part in the optical path as well as the pan and tilt movements. To adjust these options and prevent borders showing or reduction of the light output:

1. From the main level screen, press and hold **<MENU>** until the passcode screen appears.
2. Enter the passcode: **0920** and press **<ENTER>**.
3. Select the "zero" position to adjust, from **PAN, TILT, SHUT1, SHUT2, COLOR, GOBO, FOCUS, PRISM1, PRISM1 ROT, PRISM2, PRISM2 ROT, FROST1, CYAN, MAGENTA, YELLOW, MAC4, MAC5, MAC6, RDM ID4, RDM ID5, or RDM ID6**.
4. Adjust the "zero" position for the selected function from **000–255**.

Web Server

The Maverick Storm 1 Beam Web Server can be accessed by any computer on the same network as the product. It allows network access to system information, settings such as control setup, manual testing of all functions, firmware updates, and the ability to change the Web Server password.

1. Connect the product to power, and set the [Control Mode](#) to **ArtNet** and the [IP Mode](#) to **Static**.
2. Connect the product to a Windows computer with a network cable.
3. On the computer, set the first value of the IP address of the new network to match the first value of the IP address of the product. The IP address of the product is displayed on the [Home Screen](#).
4. Enter the IP address of the product into the URL bar of a web browser on the computer.
5. Enter both the User Name and Password as **admin** to log in.

Information

The Information page on the Web Server displays the current settings and the system information of the Maverick Storm 1 Beam.

Setup

The Setup page on the Web Server provides options for control, similar to the **Setup** menu on the product. Click **Save Settings** to send the new configuration to the product.

Manual Test

The Manual Test page on the Web Server allows all output functions of the product to be controlled through the browser. To set all functions back to default, click **Reset**.

Firmware Update

The Upgrade page on the Web Server allows the product to be updated with the latest firmware. Go to <https://www.chauvetprofessional.com> to download firmware updates.

Security

The Security page on the Web Server gives the option to change the password to the connected product's web server. Enter the old password (**admin**, by default) and the new password twice, then click **Save Settings** to change the password.

Error Codes

See the table below for error codes and recommended solutions:

Error Code	Possible Reason	Potential Solution
AFAN1	A Fan 1 is damaged	Replace A fan 1
	Fan wires have poor connection	Check fan wire connection
Base Fan1	Base Fan 1 is damaged	Replace base fan 1
	Fan wires have poor connection	Check fan wire connection
Base Fan2	Base Fan 2 is damaged	Replace base fan 2
	Fan wires have poor connection	Check fan wire connection
COLOR	Sensor board is damaged	Replace the color sensor board
	The magnetic rod of COLOR sensor board is dropped or installed upside down	Check the magnetic rod
CPU-A	The display PCB is damaged	Replace the display board
	CPU-A software upload failed	Re-upload the CPU-A software
CPU-B	The pan/tilt driver PCB is damaged	Replace the pan/tilt driver board
	CPU-B software upload failed	Re-upload the CPU-B software
CPU-C	The gobo/color motor driver PCB is damaged	Replace the gobo/color motor driver PCB
	CPU-C software upload failed	Re-upload the CPU-C software
CPU-D	The focus motor driver PCB is damaged	Replace the focus/zoom motor driver PCB
	CPU-D software upload failed	Re-upload the CPU-D software
CYAN	Sensor board is damaged	Replace the cyan sensor board
	The magnetic rod of the cyan sensor board is dropped or installed upside down	Check the magnetic rod
FAN1	Fan 1 is damaged	Replace fan 1
	Fan wires have poor connection	Check fan wire connection
FAN2	Fan 2 is damaged	Replace fan 2
	Fan wires have poor connection	Check fan wire connection
Focus	Sensor board is damaged	Replace the focus sensor board
	The magnetic rod of the focus sensor board is dropped or installed upside down	Check the magnetic rod
Gobo	Sensor board is damaged	Replace the gobo sensor board
	The magnetic rod of the gobo sensor board is dropped or installed upside down	Check the magnetic rod
Lamp MFan3	Lamp M Fan 3 is damaged	Replace lamp M fan 3
	Fan wires have poor connection	Check fan wire connection
Lamp MFan4	Lamp M Fan 4 is damaged	Replace lamp M fan 4
	Fan wires have poor connection	Check fan wire connection
MAGENTA	Sensor board is damaged	Replace the magenta sensor board
	The magnetic rod of the magenta sensor board is dropped or installed upside down	Check the magnetic rod
MFan1	M Fan 1 is damaged	Replace M fan 1
	Fan wires have poor connection	Check fan wire connection
MFan2	M Fan 2 is damaged	Replace M fan 2
	Fan wires have poor connection	Check fan wire connection

Error Code	Possible Reason	Potential Solution
MFan5	M Fan 5 is damaged	Replace M fan 5
	Fan wires have poor connection	Check fan wire connection
MFan6	M Fan 6 is damaged	Replace M fan 6
	Fan wires have poor connection	Check fan wire connection
MFan7	M Fan 7 is damaged	Replace M fan 7
	Fan wires have poor connection	Check fan wire connection
Prism1	Prism1 sensor board is damaged	Replace the prism 1 sensor board
	The magnetic rod of the prism 1 sensor board is dropped or installed upside down	Check the magnetic rod
Prism1.R	Prism 1 rotation sensor board is damaged	Replace the prism 1 rotation sensor board
	The magnetic rod of the prism 1 rotation sensor board is dropped or installed upside down	Check the magnetic rod
Prism2	Prism 2 sensor board is damaged	Replace the prism 2 sensor board
	The magnetic rod of the prism 2 sensor board is dropped or installed upside down	Check the magnetic rod
Protecting(Lamp Off)	Lamp is off, in protection mode	Resolve issue which triggered protection mode, then turn the lamp on through the Lamp Settings
X_cm	Pan magnetic locating board is damaged	Replace the pan magnetic locating board
	Pan/tilt driver board is damaged	Replace the pan/tilt driver board
X_op	Pan optocoupler board is damaged	Replace the pan optocoupler board
	Pan/tilt driver board is damaged	Replace the pan/tilt driver board
Y_cm	Tilt magnetic locating board is damaged	Replace the tilt magnetic locating board
	Pan/tilt driver board is damaged	Replace the pan/tilt driver board
Y_op	Tilt optocoupler board is damaged	Replace the tilt optocoupler board
	Pan/tilt driver board is damaged	Replace the pan/tilt driver board
YELLOW	Sensor board is damaged	Replace the yellow sensor board
	The magnetic rod of the yellow sensor board is dropped or installed upside down	Check the magnetic rod

5. Maintenance

Product Maintenance

Dust build-up reduces light output performance and can cause overheating. This can lead to reduction of the light source's life and/or mechanical wear. To maintain optimum performance and minimize wear, clean all lighting products at least twice a month. However, be aware that usage and environmental conditions could be contributing factors to increase the cleaning frequency.

To clean the product, follow the instructions below:

1. Unplug the product from power.
2. Wait until the product is at room temperature.
3. Use a vacuum (or dry compressed air) and a soft brush to remove dust collected on the external surface/vents.
4. Clean all transparent surfaces with a mild soap solution, ammonia-free glass cleaner, or isopropyl alcohol.
5. Apply the solution directly to a soft, lint free cotton cloth or a lens cleaning tissue.
6. Softly drag any dirt or grime to the outside of the transparent surface.
7. Gently polish the transparent surfaces until they are free of haze and lint.



Always dry the transparent surfaces carefully after cleaning them.



Do not spin the cooling fans with compressed air. Damage may result.

Torque Measurements

To maintain the IP rating when reassembling the product, use the given torque measurements for each of the following screws and bolts:

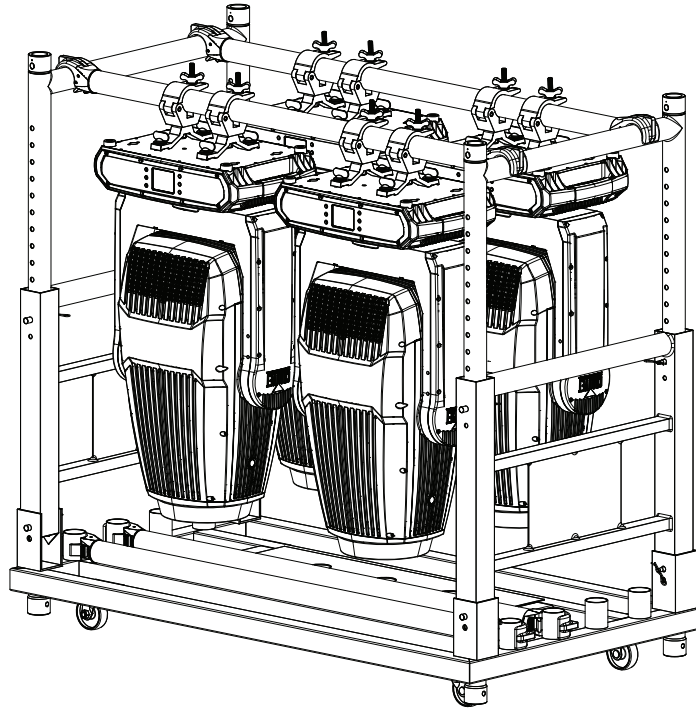
Fixture Parts	Torque Rating (Kgf.cm)	Torque Rating (lbf.in)
Power and data port screws	3.5	3
Fuse	10.7	9.2
Omega bracket holder	12.2	10.6
Front lens cover hex screws		
Screws inside feet	15.3	13.3
Base screws around outside (not the feet)	16.3	14.1
Base screws in middle	20.3	17.7
Front and rear base cover	25.4	22.1
Center of yoke plate		
Hex screws next to front lens		
Hex screws next to back heat pipes		
Head and arm cover hex screws		

Vacuum Test Measurements

Use the IP Tester from Chauvet Professional to ensure the product has been reassembled correctly by following the information below:

Parameters	Values
Method	Positive
Test pressure	15 kPa
Test duration	60 seconds
PASS state leak pressure	0.1 kPa

Transporting on Truss or Racks



When transporting fixtures in pre-rigged truss and transportation racks, mount fixtures in the vertical position with the lenses facing down and the pan and tilt locks engaged. This is to prevent undue stress on the tilt locks and limit the amount of off-axis bounce on internal components.

Technical Specifications

6. Technical Specifications

Dimensions and Weight

Length	Width	Height	Weight
15.28 in (388 mm)	10.04 in (255 mm)	25.91 in (658 mm)	51.3 lb (23.3 kg)

Note: Dimensions in inches are rounded.

Power

Power Supply Type	Range	Voltage Selection
Switching (internal)	100 to 240 VAC, 50/60 Hz	Auto-ranging

Parameter	100 V, 60 Hz	120 V, 60 Hz	208 V, 60 Hz	230 V, 50 Hz	240 V, 50 Hz
Consumption	482 W	482 W	469 W	467 W	466 W
Operating Current	4.928 A	4.070 A	2.334 A	2.011 A	2.015 A
Fuse/Breaker	8 A, 250 V	8 A, 250 V	8 A, 250 V	8 A, 250 V	8 A, 250 V

Power I/O	U.S./Worldwide	UK/Europe
Power Input Connector	Seetronic Powerkon A	Seetronic Powerkon A
Power Cable plug	Edison	Local plug

Light Source

Type	Power	Lifespan
OSRAM SIRIUS HRI lamp	310 W	6,000* hours

*Test lab conditions. May vary depending on several factors including but not limited to: Environmental conditions, power/voltage, usage patterns, (on/off power cycling), control, and dimming.

Photometrics

Color Temperature at Full	CRI
7178 K	80.1

Beam Angle	Field Angle	Cutoff Angle	Output Lumens	Illuminance @ 15 m
1.3°	2.3°	3.0°	30,639	190,709 lux

Acoustics

Settings	Idle	Max
Sound pressure level (dBA) @ 1 m	38.8	39.2

Thermal

Maximum External Temperature	Cooling System
113 °F (45 °C)	Fan-assisted Convection

Control

DMX I/O Connector	Ethernet I/O Connector	Channel Range
5-pin IP rated XLR, Lumenradio CRMX™	Neutrik IP rated RJ45	19 or 21

Ordering

Product Name	Item Name	Item Code	UPC Number
Maverick Storm 1 Beam	MAVERICKSTORM1BEAM	08012055	781462224035



UL 1573
CSA C22.2 No. 166
E113093



Contact Us

General Information	Technical Support
Chauvet World Headquarters	
Address: 3360 Davie Rd. Davie, FL 33314 Voice: (954) 577-4455 Fax: (954) 929-5560 Toll Free: (800) 762-1084	Voice: (844) 393-7575 Fax: (954) 756-8015 Email: chauvetcs@chauvetlighting.com Website: www.chauvetprofessional.com
Chauvet U.K.	
Address: Pod 1 EVO Park Little Oak Drive, Sherwood Park Nottinghamshire, NG15 0EB UK Voice: +44 (0) 1773 511115 Fax: +44 (0) 1773 511110	Email: UKtech@chauvetlighting.eu Website: www.chauvetprofessional.eu
Chauvet Benelux	
Address: Stokstraat 18 9770 Kruishoutem Belgium Voice: +32 9 388 93 97	Email: BNLtech@chauvetlighting.eu Website: www.chauvetprofessional.eu
Chauvet France	
Address: 3, Rue Ampère 91380 Chilly-Mazarin France Voice: +33 1 78 85 33 59	Email: FRtech@chauvetlighting.fr Website: www.chauvetprofessional.eu
Chauvet Germany	
Address: Bruno-Bürgel-Str. 11 28759 Bremen Germany Voice: +49 421 62 60 20	Email: DEtech@chauvetlighting.de Website: www.chauvetprofessional.eu
Chauvet Mexico	
Address: Av. de las Partidas 34 - 3B (Entrance by Calle 2) Zona Industrial Lerma Lerma, Edo. de México, CP 52000 Voice: +52 (728) 690-2010	Email: servicio@chauvet.com.mx Website: www.chauvetprofessional.mx

Warranty & Returns

For warranty terms and conditions and return information, please visit our website.

For customers in the United States and Mexico: www.chauvetlighting.com/warranty-registration.

For customers in the United Kingdom, Republic of Ireland, Belgium, the Netherlands, Luxembourg, France, and Germany: www.chauvetlighting.eu/warranty-registration.