



## Description

Incredibly flat and lightweight, the new Mugello-KH2I is the smaller line array element in K-array Mugello Series. The self-powered speaker is comprised of two 8" neodymium magnet woofers each with a 2.5" voice coil and two compression drivers with a 2.5" voice coil.

The four-channel Class-D amplifier module delivering 1500W @ 4Ω per channel makes it possible to drive up to 3x Mugello-KH2PI passive line array elements with just one self powered Mugello-KH2I.

The Slim Array Technology of the Mugello-KH2I allows for a better impulse response and guarantees unique cardioid polar pattern over its entire frequency range. Along with the mechanical steering, K-array's Electronic Beam Steering technology gives the Mugello-KH2I the ability to digitally adjust the dispersion of the sound beams to ensure the perfect aiming of the sound field.

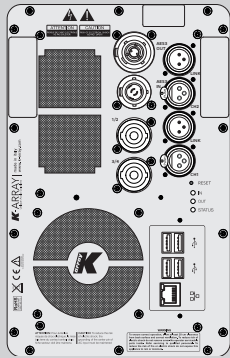
- 2x 8" neodymium magnet woofers with 2.5" voice coil
- 2x horn loaded compression drivers with 2.5" voice coil
- 4-ch Class-D amp module 1500W @ 4Ω per channel
- Built-in DSP featuring
  - Channel Grouping: group controls over multiple channels
  - Input EQ: 3 bands fully parametric equalizer
  - Output EQ: 8 bands fully parametric selectable filters: Peaking, High-Shelf, Low-Shelf, High-Pass, Low-Pass, HP-Butterworth, LP-Butterworth
  - FIR filters for digital steering
  - Dynamic limiters
  - Signal routing: freely assignable input-to-output signal path with level adjustment
  - Channel delay up to 230ms
- Remote control via web app or dedicated K-framework3 tuning, monitoring and acoustical simulation software
- Accessories available for ground stacking and suspended array configurations
- Mechanically compatible with Thunder-KS line subwoofers
- Available in black and custom RAL color



Suspended configurations with optional flybars and subwoofers.

# Mugello-KH21

## Technical specifications

Type	Self powered line array element
Transducers	2x 8" neodymium magnet woofers with 2.5" voice coil 2x horn loaded compression drivers with 2.5" voice coil
Frequency Response <sup>1</sup>	120 Hz – 19 kHz (-6 dB)
Max SPL <sup>2</sup>	142 dB peak
Coverage	V. 20° digitally adjustable in array   H. 110°
Connectors	Line Input: 2x XLR-F analog balanced / AES3 input Line Output: 2x XLR-M Link analog balanced / AES3 output Speaker Output: 2x SpeakON NL4 (Ch1 +/1- // Ch2 2+/2-) Mains: powerCON TRUE1 TOP, 16 A true mains Networking and Data: 1x RJ45, 4x USB-A
DSP	Input gain, routing matrix, delay, full parametric IIR filters (Peaking, Shelving, Hi/Lo pass, Hi/Lo Butterworth), FIR filters Onboard preset, Remote monitoring
Remote Control	Ethernet connectivity: Web APP and K-framework3 software
Amplifier Module	4-channel switching mode, Class D
Output Power	4x 1500 W @ 4 Ω
MAINS Operating Range	100-240V AC, 50-60 Hz with PFC
Power Consumption	600 W @ 8 Ω load, Pink noise, 1/4 rated power
Protections	Over Temp. (Power Limiting – Thermal Shutdown), Short Circuit/ Overload Output Protection, Power Limiting, Clip Limiter/Permanent Signal Limiter, High Frequency Protection
Rear Panel	

## Handling & Finishes

Material	Polyurea coated birch plywood
Colors	Black, Custom RAL
IP Rating	IP53
Dimensions (WxHxD)	net dimensions: 735 x 285 x 200 mm (28,94 x 11,22 x 7,87 in) with rigging hardware : 831 x 285 x 210 mm (32,7 x 11,22 x 8,27 in)
Weight	29 kg / 63.93 lb with rigging hardware

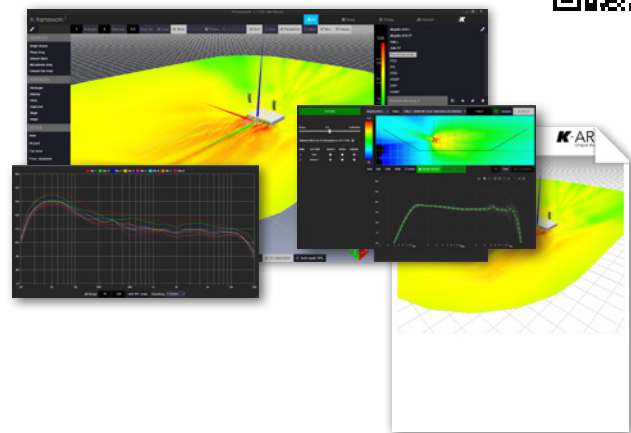
## Accessories

K-HCFLY21	Flybar for suspended installations
K-STEMP21	Flybar for step array suspended installations
K-HCBASE2	Ground stacking hardware for KH21 / KH2P1
K-HCFLY22	Straight cluster fly bar for KH21 / KH2P1
K-HCLINK2/35	Adapter for joining KH21 at the bottom of a cluster of KH31 or KH51
K-HCDOLLY21	Dolly for 6 KH21 / KH2P1

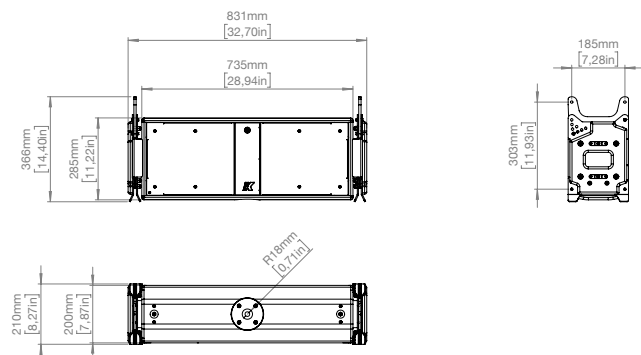
K-framework3 is the managing and control software dedicated to professionals and operators looking for a powerful tool for designing and managing a large number of units over a wired LAN in demanding applications.

WINDOWS and OSX software  
**K-framework3**

[click to go](#)



The on-board web interface is a further user interface embedded on the built-in DSP allowing the user to manage the device features over a network.



<sup>1</sup> With dedicated preset.

<sup>2</sup> Maximum SPL is calculated using a signal with crest factor 4 (12dB) measured at 8 m then scaled at 1 m.