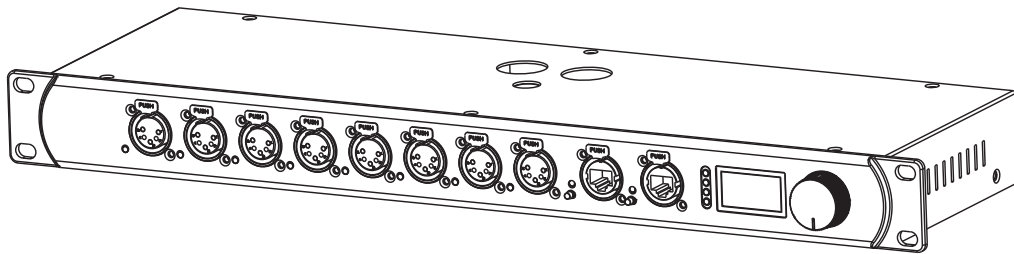


NET-XII

User Manual

Version: V1.6



CHAUVET
PROFESSIONAL

Edition Notes

The Net-X II User Manual includes a description, safety precautions, installation, programming, operation, and maintenance instructions for the Net-X II as of the release date of this edition.

LIMITED WARRANTY

FOR WARRANTY REGISTRATION AND COMPLETE TERMS AND CONDITIONS PLEASE VISIT OUR WEBSITE.

For Customers in the United States and Mexico: www.chauvetlighting.com/warranty-registration.

For Customers in the United Kingdom, Republic of Ireland, Belgium, the Netherlands, Luxembourg, France, and Germany: www.chauvetlighting.eu/warranty-registration.

Chauvet warrants that this product shall be free from defects in material and workmanship under normal use, for the period specified in, and subject to the exclusions and limitations set forth in the full limited warranty on our website. This warranty extends only to the original purchaser of the product and is not transferable. To exercise rights under this warranty, you must provide proof of purchase in the form of an original sales receipt from an authorized dealer that shows the product name and date of purchase. THERE ARE NO OTHER EXPRESS OR IMPLIED WARRANTIES. This warranty gives you specific legal rights. You may also have other rights that vary from state to state and country to country. This warranty is valid only in the United States, United Kingdom, Republic of Ireland, Belgium, the Netherlands, Luxembourg, France, Germany and Mexico. For warranty terms in other countries, please consult your local distributor.

Trademarks

CHAUVET, the Chauvet logo and Net-X II are registered trademarks or trademarks of Chauvet & Sons, LLC (d/b/a Chauvet and Chauvet Lighting) in the United States and other countries. Other company and product names and logos referred to herein may be trademarks of their respective companies.

Copyright Notice

The works of authorship contained in this manual, including, but not limited to, all design, text and images are owned by Chauvet.

© Copyright 2018 Chauvet & Sons, LLC. All rights reserved.

Electronically published by Chauvet in the United States of America.

Manual Use

Chauvet authorizes its customers to download and print this manual for professional information purposes only. Chauvet expressly prohibits the usage, copy, storage, distribution, modification, or printing of this manual or its content for any other purpose without written consent from Chauvet.

Document Printing

For best results, print this document in color, on letter size paper (8.5 x 11 in), double-sided. If using A4 paper (210 x 297 mm), configure the printer to scale the content accordingly.

Intended Audience

Any person installing, operating, and/or maintaining this product should completely read through the guide that shipped with the product, as well as this manual, before installing, operating, or maintaining this product.

Disclaimer

Chauvet believes that the information contained in this manual is accurate in all respects. However, Chauvet assumes no responsibility and specifically disclaims any and all liability to any party for any loss, damage or disruption caused by any errors or omissions in this document, whether such errors or omissions result from negligence, accident or any other cause. Chauvet reserves the right to revise the content of this document without any obligation to notify any person or company of such revision, however, Chauvet has no obligation to make, and does not commit to make, any such revisions. Download the latest version from www.chauvetprofessional.com.

Document Revision

This Net-X II User Manual is the 3rd edition of this document with firmware version 1.6. Go to www.chauvetprofessional.com for the latest version.

TABLE OF CONTENTS

1. Before You Begin	1
What Is Included	1
Claims	1
Manual Conventions	1
Symbols	1
Safety Notes.....	1
2. Introduction	3
Description	3
Product Overview.....	3
Product Dimensions.....	4
3. Setup	5
AC Power.....	5
Fuse Replacement.....	5
Mounting	5
Orientation.....	5
Mounting Diagram.....	6
Installation Guidelines	6
Signal Connections	6
Art-Net™ Connection.....	6
sACN Connection.....	6
Signal Connection Diagrams.....	7
Input Connections Diagram	7
4. Operation	8
Control Panel Operation.....	8
Control Knob	8
Programming.....	8
Menu Map	9
Operating Settings Configuration	12
Home Screen	12
Primary Home Screen	12
Secondary Home Screen	13
Custom Device Name	14
Set IP Mode	14
Static IP	14
Manual IP	14
Set Netmask.....	14
Operating Mode	14
NetWork Timeout	15
Set DMX Port	15
Disp Type	15
DMX Status	15
DMX Mode.....	15
Protocol	16
Framerte/fs	16
Network	16
1st Universe.....	16
2nd Universe	16
Resend 2 Net-U.....	17
LCD Backlight	17
User Preset.....	17

Factory Reset.....	17
Record Scenes.....	17
Scene Name.....	18
Scene Steps.....	18
Add Step.....	18
Delete Step.....	18
Timing.....	18
Trigger Settings.....	18
Trigger Setting Diagram.....	19
Backup.....	19
Firmware Version.....	19
Exit.....	19
Web Server.....	20
Web Server Overview.....	21
DMX Port Overview - Input Status.....	21
DMX Port Overview - Output Status.....	21
Firmware Update/Backup.....	22
5. Technical Information.....	23
Product Maintenance.....	23
6. Technical Specifications.....	24
7. Returns.....	25
8. Contact Us.....	26
1. Antes de empezar.....	28
Qué va incluido.....	28
Reclamaciones.....	28
Convenciones del manual.....	28
Símbolos.....	28
Notas de seguridad.....	29
2. Introducción.....	30
Descripción.....	30
Vista general del panel frontal.....	30
Vista general del panel posterior.....	30
Dimensiones del producto.....	31
3. Instalación.....	32
Corriente alterna.....	32
Sustitución del Fusible.....	32
Montaje.....	32
Orientación.....	32
Diagrama de Montaje del Producto.....	33
Pauta de Instalación.....	33
Conexiones de señal.....	33
Conexión Art-Net™.....	33
Conexión sACN.....	34
Diagramas de conexiones.....	34
Diagrama de conexiones de entrada.....	34
Diagrama de conexiones de salida.....	34
4. Funcionamiento.....	35
Funcionamiento del panel de control.....	35
Mando de Control.....	35
Programación.....	35
Mapa de menú.....	36
Configuración de ajustes de funcionamiento.....	39

Pantalla de inicio	39
Pantalla de inicio principal	39
Pantalla de inicio secundaria	40
Nombre de dispositivo personalizado	41
Dirección IP	41
Static IP	41
Manual IP	41
Configurar la Mascara de Red	41
Modo de operación	41
Tiempo de espera de Red.....	42
Configuración del Puerto DMX.....	42
Tipo de Visualización.....	42
Estado DMX	42
Modo DMX.....	42
Protocolo	43
Framerte/fs	43
Red	43
1st Universo.....	43
2nd Universo	44
Resend 2 Net-U.....	44
Retro-iluminación de la pantalla.....	44
Presets de Usuario.....	45
Restablece de fábrica	45
Grabar escenas.....	45
Nombre de la escena	45
Pasos de la escena	45
Añadir paso	45
Borrar paso	46
Tiempos.....	46
Configuración del disparador	46
Diagrama de ajuste del disparador.....	46
Copia de seguridad	47
Versión de firmware	47
Salida	47
Servidor Web	48
Descripción general del servidor web	49
Descripción del puerto DMX - Puerto de Entrada.....	49
Descripción del puerto DMX - Puerto de Salida.....	49
Copia de seguridad/actualización del firmware.....	50
5. Información Técnica	51
Mantenimiento.....	51
6. Especificaciones Técnicas	52
7. Devoluciones	53
8. Contacto	54
1. Avant De Commencer	56
Contenu.....	56
Réclamations	56
Conventions manuelles.....	56
Symboles	56
Consignes de Sécurité	57
2. Introduction	58
Description	58
Vue d'ensemble de l'appareil	58

Dimensions de l'appareil	59
3. Configuration	60
Alimentation CA	60
Remplacement des Fusibles	60
Fixation.....	60
Orientation.....	60
Schéma de Montage	61
Instructions pour l'Installation.....	61
Connexions du Signal	61
Connexion Art-Net™	61
Connexion sACN.....	61
Schémas de connexions	62
Schéma des connexions en entrée	62
Schéma des connexions en sortie.....	62
4. Fonctionnement	63
Utilisation du panneau de commande.....	63
Bouton de controle	63
Programmation.....	63
Plan du menu	63
Configuration des paramètres de fonctionnement	67
Écran d'accueil.....	67
Écran d'accueil principal	67
Écran d'accueil secondaire.....	68
Nom personnalisé du périphérique	68
Sélection du mode IP	68
Statique IP	68
Manuel IP	69
Configuration du masque réseau	69
Mode de fonctionnement.....	69
Délai d'expiration du réseau.....	69
Paramètres de port DMX	69
Type d'affichage	70
Statut DMX	70
Mode DMX.....	70
Protocole	70
Framerte/fs	70
Réseau	71
1st Univers.....	71
2nd Univers	71
Renvoyer 2 Net-U.....	71
Rétro-éclairage de l'écran	72
Préréglages utilisateur	72
Réinitialisation d'usine.....	72
Enregistrement des scènes.....	72
Nom de la scène.....	72
Étapes de scène	72
Ajout d'une étape.....	73
Suppression d'une scène	73
Cadencement	73
Paramètres de déclenchement	73
Diagramme des paramètres de déclenchement.....	74
Sauvegarde.....	74
Mise à jour du microprogramme	74
Annuler.....	74

Serveur Web	75
Aperçu du serveur Web	76
Aperçu du port DMX - Statut d'entrée	76
Aperçu du port DMX - Etat de sortie	76
Mise à jour du microprogramme / Sauvegarde	77
5. Informations Techniques.....	78
Entretien de l'Appareil	78
6. Spécificités Techniques	79
7. Renvois	80
8. Nous Contacter.....	81
1. Voordat tu begint.....	83
Wat is er inbegrepen	83
Claims	83
Conventies van deze handleiding	83
Symbolen	83
Veiligheidsinstructies.....	84
2. Inleiding.....	85
Beschrijving	85
Overzicht van het voorpaneel	85
Afmetingen van het product	86
3. Instelling.....	87
AC-stroom	87
Vervangen van de zekering	87
Montage	88
Oriëntering	88
Montage Diagram.....	88
Signaalverbindingen.....	89
Art-Net™-aansluiting.....	89
sACN-aansluiting	89
Aansluitingsdiagrammen.....	89
Diagram met ingangsaansluitingen	89
Diagram met uitgangsaansluitingen	89
4. Werking	90
Werking van het bedieningspaneel	90
Programmeren	90
Menu Map	91
Configuratie gebruik-instellingen	94
Startscherm.....	94
Primaire Startscherm.....	94
Secundair Startscherm	95
Aangepaste apparaatnaam.....	95
Statische IP-modus	95
Statische IP	95
Handmatige IP.....	96
Netmask instellen.....	96
Bedrijfsmodus	96
Netwerktime-out	96
DMX-poortinstellingen.....	96
Weergavetype	97
Status van DMX.....	97
DMX-modus.....	97
Protocol	97

Framerte/fs	97
Netwerk	97
1st Universe.....	98
2nd Universe	98
Resend 2 Net-U.....	98
Beeldscherm LCD	98
Selecteer gebruikersvoorkeuren	99
Fabrieksinstellingen reset	99
Scènes opnemen	99
Scènaam	99
Scènestappen.....	99
Stap toevoegen	99
Stap verwijderen.....	100
Timing.....	100
Triggerinstellingen.....	100
Triggerinstellingen diagram	100
Backup	101
Firmwareversie.....	101
Annuleren.....	101
Web Server	102
Overzicht Web Server.....	103
Overzicht DMX Poort - Ingangstatus.....	103
Overzicht DMX Poort - Uitgangstatus	103
Firmware-update/backup	104
5. Technische Informatie	105
Product Onderhoud.....	105
6. Technische Specificaties.....	106
7. Retouren.....	107
8. Neem contact op	108

Before You Begin

1. Before You Begin

What Is Included

- Net-X II
- Neutrik® powerCON® Power Cord
- User Manual

Claims

Carefully unpack the product immediately and check the container to make sure all the parts are in the package and are in good condition.




If the box or the contents (the product and included accessories) appear damaged from shipping, or show signs of mishandling, notify the carrier immediately, not Chauvet. Failure to report damage to the carrier immediately may invalidate your claim. In addition, keep the box and contents for inspection.

For other issues, such as missing components or parts, damage not related to shipping, or concealed damage, file a claim with Chauvet within 7 days of delivery.

Manual Conventions

CONVENTION	MEANING
1–512	A range of values
50/60	A set of values of which only one can be chosen
<SET>	A button on the product's control panel
Settings	A product function or a menu option

Symbols

SYMBOL	MEANING
	Critical installation, configuration, or operation information. Not following these instructions may make the product not work, cause damage to the product, or cause harm to the operator.
	Important installation or configuration information. The product may not function correctly if this information is not used.
	Useful information.

Safety Notes

Read all the following safety notes before working with this product. These notes contain important information about the installation, usage, and maintenance of this product.



This product contains no user-serviceable parts. Any reference to servicing in this User Manual will only apply to properly trained, certified technicians. Do not open the housing or attempt any repairs.



All applicable local codes and regulations apply to proper installation of this product.

Personal Safety

- Avoid direct eye exposure to the light source while the product is on.
- Always disconnect the product from the power source before cleaning or replacing the fuse.
- Always connect the product to a grounded circuit to avoid the risk of electrocution.
- Do not touch the product's housing when operating because it may be very hot.

Mounting

- This product is for indoor use only! To prevent risk of fire or shock, do not expose this product to rain or moisture. (IP20)
- **CAUTION:** When transferring product from extreme temperature environments, (e.g. cold truck to warm humid ballroom) condensation may form on the internal electronics of the product. To avoid causing a failure, allow product to fully acclimate to the surrounding environment before connecting it to power.
- Make sure there are no flammable materials close to this product while it is operating.
- Never carry the product by the power cord.

Power and Wiring

- Make sure the power cord is not crimped or damaged.
- Always make sure you are connecting this product to the proper voltage in accordance with the specifications in this manual or on the product's specification label.
- To eliminate unnecessary wear and improve its lifespan, during periods of non-use completely disconnect the product from power via breaker or by unplugging it.
- Never connect this product to a dimmer pack or rheostat.
- Never disconnect this product by pulling or tugging on the power cable.

Operation

- Do not operate this product if there is damage on the housing or cables. Have the damaged parts replaced by an authorized technician at once.
- Do not cover the ventilation slots when operating to avoid internal overheating.
- The maximum ambient temperature is 113 °F (45 °C). Do not operate the product at higher temperatures.
- In the event of a serious operation problem, stop using this product immediately!



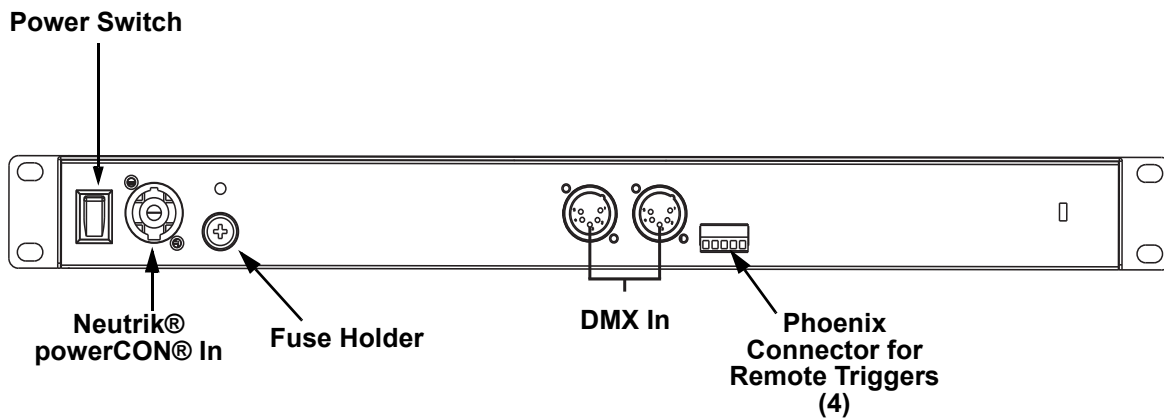
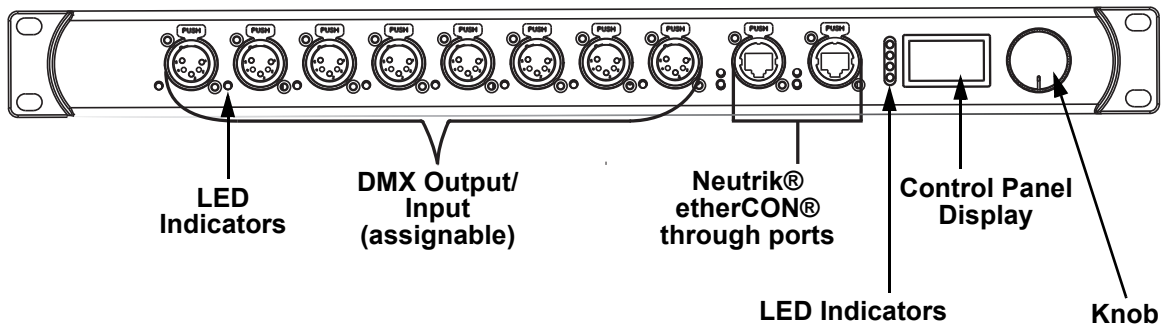
If your Chauvet product requires service, contact Chauvet Technical Support.

2. Introduction

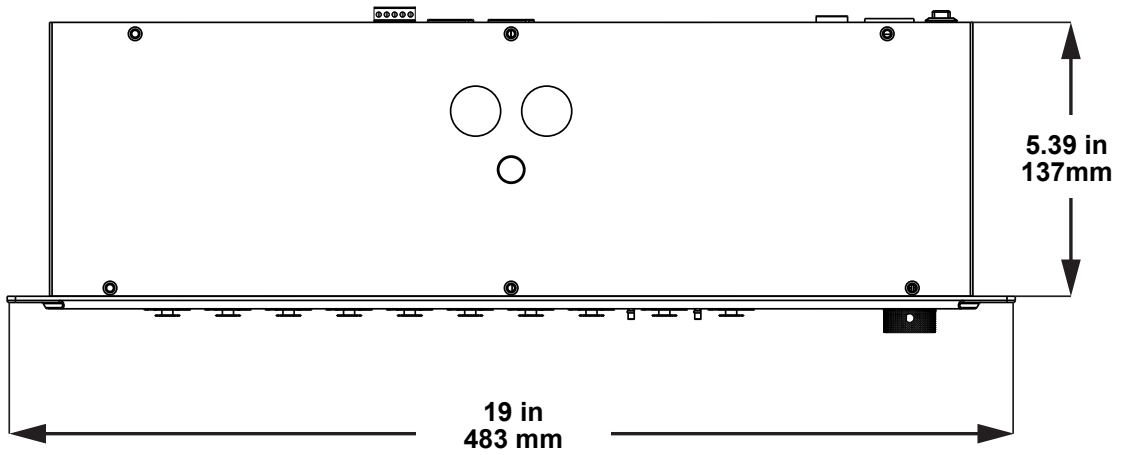
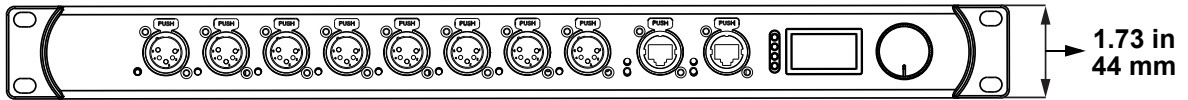
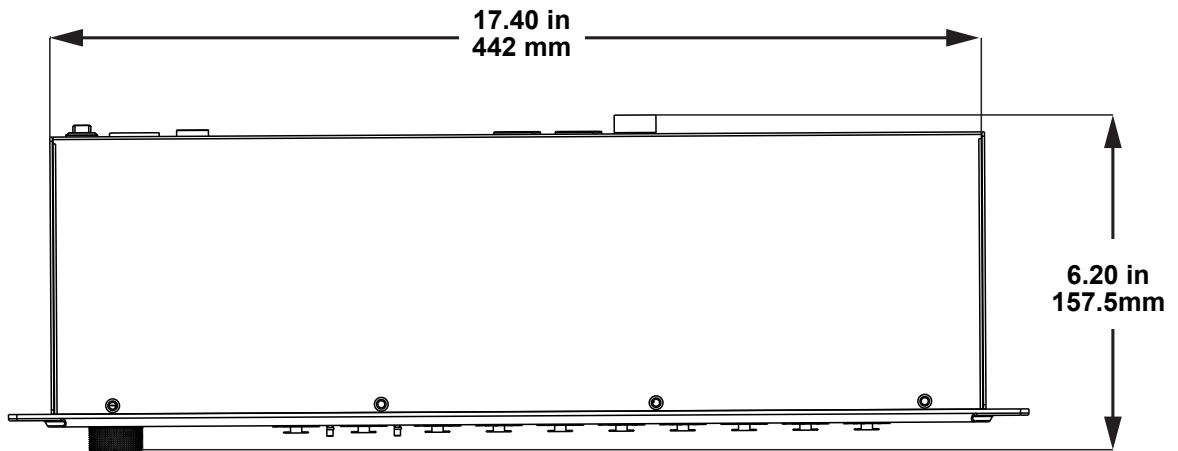
Description

Net-X II is a reliable and versatile rack-mountable ethernet-to-DMX adapter with an integrated optical DMX splitter and Ethernet switch capability. It has two 5-pin DMX In ports and eight 5-pin DMX Output/input ports, all optically isolated. It takes up to 8 Art-Net™ or sACN universes simultaneously. The eight 5-pin DMX Out ports can be assigned to either of the DMX In ports or to one of the Art-Net™ or sACN universes. Neutrik® etherCON® ports are through ports that allow daisy chaining of Net-X II units. Net-X II provides a reliable, highly customizable network infrastructure for complex control systems. Merge two controllers into the Net-X II via DMX, Art-Net™, or sACN, supporting both LTP (Latest Takes Precedence) and HTP (Highest Takes Precedence) functions. Record function allows you to record looks from a controller and save them into memory and it is webserver supported for remote configuration and backup/update.

Product Overview



Product Dimensions



3. Setup

AC Power

Each Net-X II has an auto-ranging power supply that works with an input voltage range of 100 to 240 VAC, 50/60 Hz. To determine the power requirements for each Net-X II, refer to the label affixed to the product. You can also refer to the [Technical Specifications](#) chart in this manual.

The listed current rating indicates the maximum current draw during normal operation. For more information, download Sizing Circuit Breakers from the Chauvet website: www.chauvetprofessional.com.



- **Always connect the product to a grounded and protected circuit. Make sure the product has an appropriate electrical ground to avoid the risk of electrocution or fire.**
- **To eliminate unnecessary wear and improve its lifespan, during periods of non-use completely disconnect the product from power via breaker or by unplugging it.**



- **Never connect the product to a rheostat (variable resistor) or dimmer circuit, even if the rheostat or dimmer channel serves only as a 0 to 100% switch.**

Fuse Replacement

The Net-X II uses a F 1 A, 250 V fuse accessible from the back of the product. To change the fuse, do the following:

1. Disconnect the product from power.
2. With a Phillips head screwdriver, unscrew the fuse holder cap from the housing.
3. Remove the blown fuse.
4. Replace with a fuse of the same type and rating.
5. Screw the fuse holder cap back in place and reconnect power.



- **Disconnect the product from power before replacing the fuse.**
- **Always replace a blown fuse with another of the same type and rating.**

Mounting

Before mounting this product, read and follow the [Safety Notes](#). For our Chauvet line of mounting clamps, go to www.trusst.com/productcategory/accessories-clamps/.

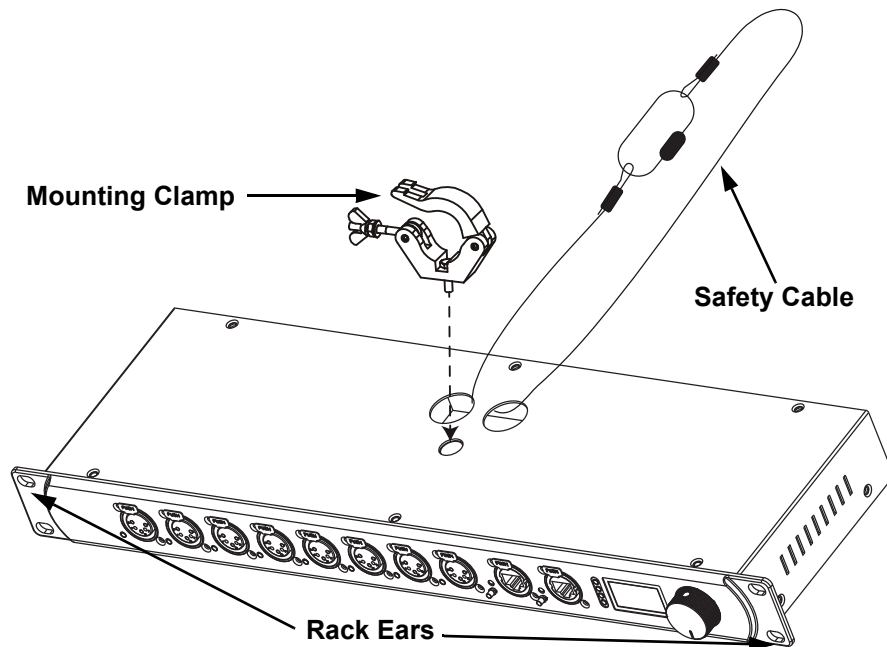
Orientation

Always mount this product in a safe position and make sure the menu and the ports are accessible and there is adequate room for ventilation, configuration, and maintenance. The Net-X II fits nicely in a standard 19" rack, can be suspended upright or upside down, or it can be placed on its rubber feet on a flat level surface.

Use the following guidelines when mounting the Net-X II:

- When selecting an installation location, consider easy access to this product for operation, programming adjustments, and routine maintenance.
- Make sure to mount this product away from any flammable material as indicated in the [Safety Notes](#).
- Never mount in places where rain, high humidity, extreme temperature changes, or restricted ventilation may affect the product.
- If hanging this product, make sure that the mounting location can support the product's weight. See the [Technical Specifications](#) for the weight-bearing requirements of this product.
- When hanging this product, always secure to a fastening device using a safety cable.
- Leave enough slack on the cables to prevent tension and pull on the plugs.

Mounting Diagram



Installation Guidelines

The Net-X II is used as part of a control system for operating various lighting and multi-media products. The physical and digital construction of the control network is determined by the location and signal needs of the products.

When designing a control system that uses the Net-X II, consider the following:

- Placing the Net-X II so the menu and ports can be accessed
- Running the cables so there is no tension or pull on the cables or plugs
- Planning a large control system carefully before configuring the components, so IP address, DMX address, and other identifiers are not duplicated

Signal Connections

The Net-X II receives signal through 2 DMX In ports and one of 2 Neutrik® etherCON® ports. It sends signal out through 8 DMX Out ports and the other Neutrik® etherCON® port.

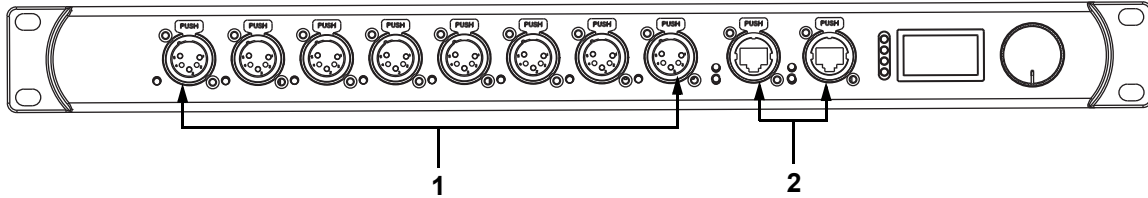
Art-Net™ Connection

Art-Net™ is an Ethernet protocol that uses TCP/IP to transfer a large amount of DMX512 data using an etherCON® RJ45 connection over a large network. An Art-Net™ protocol document is available from www.chauvetprofessional.com. Art-Net™ designed by and copyright Artistic Licence Holdings Ltd.

sACN Connection

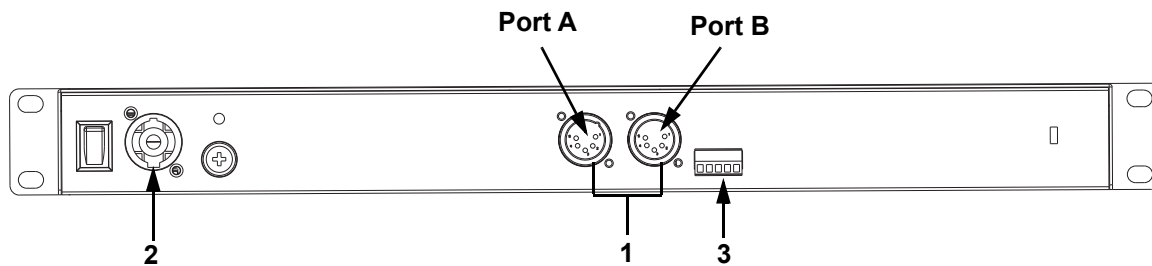
Also known as ANSI E1.31, streaming ACN is an Ethernet protocol that uses the layering and formatting of Architecture for Control Networks to transport DMX512 data over IP or any other ACN compatible network.

Signal Connection Diagrams



#	CONNECTIONS	PURPOSE
1	DMX Output/Input	Receive or send DMX input/output to or from controllers or products. Can receive DMX to be converted to Art-Net™ or sACN.
2	Ethernet Input/Throughput	Link to an Art-Net™ or sACN network; also used to access webserver

Input Connections Diagram



#	CONNECTIONS	PURPOSE
1	DMX In	DMX ports A and B .
2	Neutrik® powerCON® In	Power In
3	Phoenix Connector	To trigger recorded scenes



- The Neutrik® etherCON® ports are through ports. Each port can be either an input or an output port.
- The Phoenix Connector has four inputs (triggers 1–4) and a ground terminal.

4. Operation

Control Panel Operation

The Net-X II is configured through the control panel, using the control knob. Once the Net-X II is properly configured it operates without user intervention.

The Net-X II can be used as a DMX splitter, in which case the DMX In ports must be assigned to the DMX Output/Input ports, but the Net, Subnet, and IP address settings may not need configuration.

The Net-X II can be used as an Art-Net™ node, in which case the Art-Net™ universes must be assigned to the DMX Output/Input ports, and the Net, Subnet, and IP address settings must be configured.

The Net-X II can be used as an sACN node, in which case the sACN universes must be assigned to the DMX Output/Input ports, and the IP address settings must be configured.

The Net-X II can be used as both a DMX splitter and either an Art-Net™ or sACN node simultaneously, in which case both the DMX assignments and the Art-Net™ or sACN settings must be configured. For more information, see Example Configurations.

The Net-X II can be used to merge two DMX, Art-Net™, or sACN signals from different controllers and output as one signal, using LTP (Latest Takes Precedence) and HTP (Highest Takes Precedence) functions.

The Net-X II has backup settings and configurations with same or other Net-X II products.

The Net-X II is webserver supported for remote configuration and backup/update.

The Net-X II's record function allows you to record looks from a controller and save them into memory. These can be deployed via the Phoenix triggers.

Control Knob

The Net-X II has a knob that is used to scroll through the options in the menu. Press the knob to make a selection.

Programming

Refer to the Menu Map to understand the menu options. The menu map shows the main level and a variable number of programming levels for each option.

- To access the menu from the Home Screen, press the knob.
- To scroll through the options on each level of the menu, turn the knob. Turn it clockwise to scroll down, and turn it counter-clockwise to scroll up.
- Press the knob to select the highlighted option. This will take you to the next programming level for that option, or it will highlight a value that can be edited.
- To increase a selected number value, turn the knob clockwise. To decrease a selected number value, turn the knob counter-clockwise.
- Press **Exit/Cancel** to the previous main level.
- Press the knob for 3 seconds to return to the Home Screen.

Menu Map

MAIN LEVEL	PROGRAMMING LEVELS		DESCRIPTION
1. Custom Device Name	-----		Inputs a custom device name
2. Set IP Mode	1. Static IP	-----	Default address-cannot be changed
	2. Manual IP	-----	Sets the IP Addresses
			Enter
	3. Exit		Exits to previous screen
3. Set Netmask	A. 255.000.000.000		Sets Netmask A
	B. 255.255.000.000		Sets Netmask B
	C. 255.255.255.000		Sets Netmask C
	Exit		Exits to previous screen
4. Operating Mode	1. 8 Port		Assigns each port as an output/ input (this also supports RDM over Ethernet)
	2. 2 + 8 Port		Supports DMX merging with the two DMX inputs (disables RDM function)
	3. Exit		Exits to previous screen
5. NetWork Timeout	1. Disabled		Disables the timeout feature
	2. 1 Seconds		1 second time delay to stop receiving commands from a console connected to the network
	3. 2 Seconds		2 seconds time delay to stop receiving commands from a console connected to the network
	4. 5 Seconds		5 seconds time delay to stop receiving commands from a console connected to the network
	5. Exit		Exits to the previous screen

MAIN LEVEL	PROGRAMMING LEVELS		DESCRIPTION	
6. Set DMX Port	DMX Ports 1–8 / DMX Input A–B (Inputs A and B only when Operating Mode is set to 2 + 8 Port)	1. Disp Type	HEX	Hexadecimal values
			DEC	Decimal values
		2. DMX Status	OUTPUT	Sets the port as Output
			INPUT	Sets the port to receive DMX from a controller that can be routed to another DMX port
			DISABLE	Disables the output port
		3. DMX Mode	SINGLE (OUTPUT Status only)	Disables Ethernet signal merging
			LTP (OUTPUT Status only)	Sets Ethernet signal merging to Latest Takes Precedence
			HTP (OUTPUT Status only)	Sets Ethernet signal merging to Highest Takes Precedence
			NORMAL (INPUT Status only)	Sets input ports acting as a primary controller
		4. Protocol	BACKUP (INPUT Status only)	Sets input ports acting as a backup controller
			ArtNet	Sets the output/input source for the DMX port to Art-Net™
		5. Framerte/fs	sACN	Sets the output/input source for the DMX port to sACN
			010–040	Sets rate of speed for output ports
		6. Network	00H–7FH (Hex) 000–128 (Dec)	Sets the net settings
7. 1st Universe	00H–FFH (Hex) 000–256 (Dec)	Sets the primary Input/Output universe		
8. 2nd Universe (Output Status & HTP or LTP Mode only)	00H–FFH (Hex) 000–256 (Dec)	Sets the secondary Output universe when using HTP/LTP signal merging with 1st universe		
9. Resend 2 Net-U (Output Status & HTP or LTP Mode only)	00H–FFH (Hex) 000–256 (Dec)	Determines which universe to rebroadcast onto the network (when using 1st & 2nd universe)		
10. Exit (Option 8 for Input Status or Output Status in Single Mode)		Exits to the previous screen		
7. LCD Backlight	1. On	Backlight On		
	2. 10 Seconds	Display turns off after 10 seconds		
	3. 30 Seconds	Display turns off after 30 seconds		
	4. Exit	Exits to the previous screen		

MAIN LEVEL	PROGRAMMING LEVELS		DESCRIPTION	
8. User Preset	1. Art-net 8-port DMX		Sets all 8 ports to receive 8 universes of Art-Net™ from 0–7	
	2. sACN to 8-port DMX		Sets all 8 ports to receive 8 universes of sACN from 1–8	
	3. 1x8 DMX Splitter		Sets the product to operate as a DMX splitter with all 8 outputs receiving DMX from input A	
	4. 2x4 DMX Splitter		Sets 1–4 outputs to input-port A and the 5–8 outputs to input-port B	
	5. Exit		Exits to previous screen	
9. Factory Reset	NO		Resets to factory settings	
	YES			
10. Record Scenes <1–10>	1. Name Scene	-----	Cancel Enter Customize scene name	
	2. Step: (0/0)	000–100	Scroll to the step that you prefer to edit	
	3. Add Step		Adds steps to scene and takes a snapshot of all 8 ports and records step to memory	
	4. Delete Step	NO		Delete current step from scene
		YES		
	5. Timing	1. Save Step		Saves timing for the selected step
		2. Fade In Time	0.10S–9M59S	Selects fade in time
		3. Fade Out Time	0.10S–9M59S	Selects fade out time
		4. Delay Time	0.10S–9M59S	Selects delay time
		5. Exit		Exits to previous screen
6. Exit		Exits to previous screen		
11. Trigger Settings	1. Trigger 1	Scene 1–10	Assigns trigger 1 to one of the 10 scenes	
	2. Trigger 2	Scene 1–10	Assigns trigger 2 to one of the 10 scenes	
	3. Trigger 3	Scene 1–10	Assigns trigger 3 to one of the 10 scenes	
	4. Trigger 4	Scene 1–10	Assigns trigger 4 to one of the 10 scenes	
	5. Exit		Exits to previous screen	
12. Backup	1. Save	Preset 1–10	Saves and loads configurations	
	2. Load	Preset 1–10		
	3. Exit		Exits to previous screen	
13. Firmware Version	-----		Displays firmware version	
14. Exit	Exit		Exits to main screen	

Operating Settings Configuration

Home Screen

The Net-X II has 2 home screens which display the current status of all ports. The home screen is displayed when the menu is not being accessed.

To access the menu from the home screen, press the knob. To return to the home screen from the menu, select **13. Exit** and press the knob, or press & hold the control knob for 3 seconds (this can be done from any position in the Menu map)

Primary Home Screen

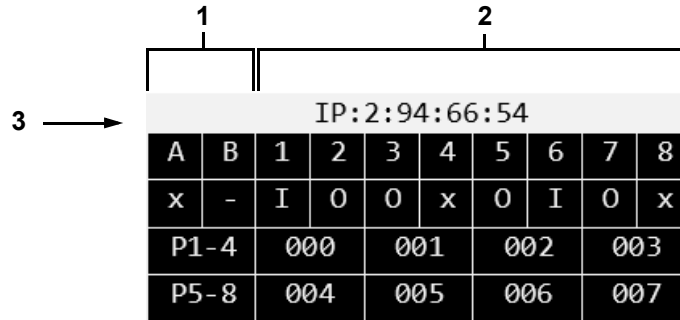
		1				2			
3 →		IP:2:94:66:54							
A	B	1	2	3	4	5	6	7	8
✓	✓	x	x	x	x	x	x	x	x
P1-4		ACN		ACN		Art		ACN	
P5-8		ACN		Art		Art		ACN	

#	SYMBOL	DESCRIPTION
1	A-B	Ethernet in/through ports
	- or x (EtherNET ports status)	x is connected - is disconnected
	P1-4	ports 1-4 universe label
	P5-8	ports 5-8 universe label
2	1-8	5-pin female port number label (1-8)
	✓ or x (ports 1-8 signal sensor)	✓ is detecting a signal x is no signal detected
	Art, ACN, or DMX (Art-Net™, sACN, or DMX)	defines output or input port protocol for outputs 1-4
	Art, ACN, or DMX (Art-Net™, sACN, or DMX)	defines output or input port protocol for outputs 5-8
3	IP:	displays the device IP address

Operation

Secondary Home Screen

To access the secondary home screen, rotate the knob when viewing the main home screen.



#	SYMBOL	DESCRIPTION
1	A-B	5-pin male input port (A/B)
	- or x (A/B input port status)	x is connected - is disconnected
	P1-4	ports 1-4 universe label
	P5-8	ports 5-8 universe label
2	1-8	5-pin female port number label (1-8)
	I, O, or x (ports 1-8 direction mode)	input (I) output (O) disabled (x)
	000-256	defines output or input port universe for outputs 1-4
	000-256	defines output or input port universe for outputs 5-8
3	IP:	displays the device IP address

Custom Device Name

To assign the Net-X II a custom device name, do the following:

1. Use the knob to select **1. Custom Device Name**.
2. Press the knob.
3. If there is no name set for this product, press the knob. If there is a name set for this product, use the knob to select which letter to edit, then press the knob.
4. Use the knob to select the letter, number or symbol, from **A-@**. There are 63 options.
5. Repeat until the name is set as desired.
6. Use the knob to select either **Enter** to save the name, or **Cancel** to exit without saving.
7. Press the knob.

Set IP Mode

The Net-X II can use a pre-set static IP address, or it can be set manually.

Static IP

To set the Net-X II to a pre-set static IP address, follow the instructions below:

1. Use the knob to select **2. Set IP Mode**.
2. Press the knob.
3. Use the knob to select **1. Static IP**.
4. Press the knob.

Manual IP

To set the IP address manually, do the following:

1. Use the knob to select **2. Set IP Mode**.
2. Press the knob.
3. Use the knob to select **2. Manual IP**.
4. Press the knob.
5. The manual IP address can be set from **000.000.000.000 to 255.255.255.255** by using the knob to scroll and select the desired numbers **000–255** for each byte (set of three numbers). Use this process to set each of the four bytes.
6. Use the knob to select **Enter** to save the chosen IP address or **Cancel** to exit without saving.

Set Netmask

To set the Netmask, follow the instructions below:

1. Use the knob to select **3. Set Netmask**.
2. Press the knob.
3. Use the knob to select one of the following options:
 - **A. 255.000.000.000**
 - **B. 255.255.000.000**
 - **C. 255.255.255.000**
 - **Exit** (to cancel).

Operating Mode

The Net-X II can operate as a splitter/converter, or a DMX merger. To switch between the 2 modes, do the following:

1. Use the knob to select **4. Operating Mode**.
2. Press the knob.
3. Use the knob to select either **1. 8 Port** (used to activate RDM over Ethernet support for transport of RDM to/from lighting fixtures via 5-pin DMX to a lighting controller via Ethernet, e.g. Art-Net™, Art-RDM) or **2. 2 + 8 Port** (required for DMX splitter mode via the 2 male DMX ports on the back of the NET-X II; disables all RDM functionality; adds DMX Input A & B under the Set DMX Port menu option).
4. Press the knob.
5. **3. Exit** (to cancel).

Operation

NetWork Timeout

The network timeout sets the time delay for the Net-X II to stop receiving commands from a console connected to the network. This can only be applied to HTP/LTP DMX merge modes via Art-Net™ or sACN protocols.

1. Use the knob to select **5. NetWork Timeout**.
2. Press the knob.
3. Use the knob to select either **1. Disabled**, **2. 1 Seconds**, **3. 2 Seconds**, or **4. 5 Seconds**.
4. Press the knob.
5. **5. Exit** (to cancel).

If set to Disabled, the Net-X II will remain locked into the network lighting controller even if the controller stops sending data.

Set DMX Port

The Net-X II has 8 DMX ports that can be set as outputs or inputs. To select a DMX port to configure, follow the instructions below:

1. Use the knob to select **6. Set DMX Port**.
2. Press the knob.
3. Use the knob to select the desired DMX port, from **DMX Port 1–8 / DMX Input A–B** (DMX inputs will only display if Operating Mode is set to 2 + 8 Port), or **Exit** (to cancel).
4. Press the knob.

Disp Type

The display type determines whether the selected port universe displays as either decimal or hexadecimal values. The display type will alter the menu options for Network and Universe ranges.

1. Select the DMX port to configure as instructed in [Set DMX Port](#).
2. Use the knob to select **1. Disp Type**.
3. Press the knob.
4. Use the knob to select either **DEC** (decimal) or **HEX** (hexadecimal).
5. Press the knob.

DMX Status

The DMX status determines whether the selected port functions as an input, an output, or is disabled. The selected status will alter the menu options for DMX Mode and Universe merging.

1. Select the DMX port to configure as instructed in [Set DMX Port](#).
2. Use the knob to select **2. DMX Status**.
3. Press the knob.
4. Use the knob to select the desired port mode from, **DISABLE**, **OUTPUT**, or **INPUT**.
5. Press the knob.

DMX Mode

The Net-X II is capable of merging two signals of the same protocol into one, using HTP (Highest Takes Precedence), or LTP (Latest Takes Precedence) logic when the DMX Status is set to Output. When the DMX Status is set to Input, Normal and Backup must be set to the same Output universe.

1. Select the DMX port to configure as instructed in [Set DMX Port](#).
2. Use the knob to select **3. DMX Mode**.
3. Press the knob.
4. Use the knob to select the desired mode:
 - **SINGLE** (OUTPUT Status only) - Disables Ethernet signal merging.
 - **HTP** (OUTPUT Status only) - Highest Takes Precedence.
 - **LTP** (OUTPUT Status only) - Latest Takes Precedence.
 - **NORMAL** (INPUT Status only) - Input port acts as a primary controller.
 - **BACKUP** (INPUT Status only) - Input port acts as a backup controller; the Net-X II will NOT start accepting changes from the backup port until the normal port with the same Universe assignment stops broadcasting control signal.
5. Press the knob.

Protocol

Set the protocol to either Art-Net™ or sACN:

1. Select the DMX Port to configure as instructed in [Set DMX Port](#).
2. Use the knob to select **4. Protocol**.
3. Press the knob.
4. Use the knob to select the desired settings from **ArtNet** or **sACN**.
5. Press the knob.

Framerte/fs

The frame rate, in milliseconds (ms), is the speed at which the DMX packets are sent out of the 8 DMX ports. This only applies when the ports are set to Output.

1. Select the DMX Port to configure as instructed in [Set DMX Port](#).
2. Use the knob to select **5. Framerte/fs**.
3. Press the knob.
4. Use the knob to set the frame rate from **010–040**.
5. Press the knob.

This feature is useful for fixtures unable to receive high speed DMX.

Network

To set the net setting, do the following:

1. Select the DMX port to configure as instructed in [Set DMX Port](#).
2. Use the knob to select **6. Network**.
3. Press the knob.
4. Use the knob to select from range options (differs based on Disp Type and Protocol selections):
 - **000–127**: When Disp Type is set to DEC & Protocol is set to ArtNet.
 - **001–128**: When Disp Type is set to DEC & Protocol is set to sACN.
 - **00H–7FH**: When Disp Type is set to HEX & Protocol is set to ArtNet.
 - **01H–80H**: When Disp Type is set to HEX & Protocol is set to sACN.
5. Press the knob.

This is implemented in very few consoles and only applies to the ArtNet 4 protocol.

1st Universe

Sets the primary Input/Output universe. When using HTP/LTP signal merging, and operating in Output mode, this will work in unison with the 2nd universe setting to merge data from 2 different IP addresses.

1. Select the DMX port to configure as instructed in [Set DMX Port](#).
2. Use the knob to select **7. 1st Universe**.
3. Press the knob.
4. Use the knob to select from range options (differs based on Disp Type and Protocol selections):
 - **000–255**: When Disp Type is set to DEC & Protocol is set to ArtNet.
 - **001–256**: When Disp Type is set to DEC & Protocol is set to sACN.
 - **00H–7FH**: When Disp Type is set to HEX & Protocol is set to ArtNet.
 - **01H–80H**: When Disp Type is set to HEX & Protocol is set to sACN.
5. Press the knob.

2nd Universe

Sets the secondary Output universe. When using HTP/LTP signal merging, and operating in Output mode, this will work in unison with the 1st universe setting to merge the data from 2 different IP addresses.

1. Select the DMX port to configure as instructed in [Set DMX Port](#).
2. Use the knob to select **8. 2nd Universe** (option will only display if DMX Status is set to OUTPUT & DMX Mode is set to HTP or LTP).
3. Press the knob.
4. Use the knob to select from range options (differs based on Disp Type and Protocol selections):
 - **000–255**: When Disp Type is set to DEC & Protocol is set to ArtNet.
 - **001–256**: When Disp Type is set to DEC & Protocol is set to sACN.
 - **00H–7FH**: When Disp Type is set to HEX & Protocol is set to ArtNet.
 - **01H–80H**: When Disp Type is set to HEX & Protocol is set to sACN.
5. Press the knob.

Operation

Resend 2 Net-U

The Net-X II can broadcast the merged universe from the above 2 settings back onto the network. This new merged universe can be accessed from another DMX output port on the Net-X II, or on another device on the network (including a lighting fixture accepting ArtNet/sACN). This setting determines which universe to rebroadcast onto the network.

1. Select the DMX port to configure as instructed in [Set DMX Port](#).
2. Use the knob to select **9. Resend 2 Net-U** (option will only display if DMX Status is set to OUTPUT & DMX Mode is set to HTP or LTP).
3. Press the knob.
4. Use the knob to select from range options (differs based on Disp Type and Protocol selections):
 - **000–255**: When Disp Type is set to DEC & Protocol is set to ArtNet.
 - **001–256**: When Disp Type is set to DEC & Protocol is set to sACN.
 - **00H–7FH**: When Disp Type is set to HEX & Protocol is set to ArtNet.
 - **01H–80H**: When Disp Type is set to HEX & Protocol is set to sACN.
5. Press the knob.

If merging the same universe from 2 different controllers, and DO NOT want to rebroadcast this universe back to the network, set the 1st universe, 2nd universe, and Resend universe to the same value.

LCD Backlight

To set the amount of time after inactivity before the display backlight turns off, follow the instructions below:

1. Use the knob to select **7. LCD Backlight**.
2. Press the knob.
3. Use the knob to select from the following options, **1. On** (does not turn off), **2. 10 Seconds** (turns off after 10 seconds of inactivity), **3. 30 Seconds** (turns off after 30 seconds of inactivity), or **4. Exit** (to cancel).
4. Press the knob.

User Preset

This option saves 4 different preset menu option configurations. To set these presets, follow the instructions below:

1. Use the knob to select **8. User Preset**.
2. Press the knob.
3. Use the knob to select one of the four following presets:
 - **1. Art-net 8-port DMX** (Sets all 8 ports to receive 8 universes of Art-Net™ from 0–7).
 - **2. sACN to 8-port DMX** (Sets all 8 ports to receive 8 universes of sACN from 1–8).
 - **3. 1x8 DMX Splitter** (Sets the product to operate as a DMX splitter with all 8 outputs receiving DMX from input A).
 - **4. 2x4 DMX Splitter** (Sets **1–4** outputs to **input-port A** and the **5–8** outputs to **input-port B**).
 - **5. Exit** (to cancel).
4. Press the knob.

Factory Reset

To restore the Net-X II to factory default settings, do the follow:

1. Use the knob to select **9. Factory Reset**.
2. Press the knob.
3. Use the knob to select **NO** (do not reset) or **YES** (reset to factory settings).
4. Press the knob.

This will erase any existing recorded scenes.

Record Scenes

The Net-X II has the capability to record up to 10 scenes. To record scenes, follow the instructions below:

1. Use the knob to select **10. Record Scenes**.
2. Press the knob.
3. Use the knob to select from **Scene 1–10**.
4. Press the knob.

Scene Name

The Net-X II allows you to customize the name of each scene. To name a scene, do the following:

1. Select the Scene to configure as instructed in [Record Scenes](#).
2. Use the knob to select **1. Name:Scene_1–10**.
3. Press the knob.
4. Use the knob to select the letter, number or symbol, from **A–@**. There are 96 options.
5. Repeat until the name is set as desired.
6. Use the knob to select either **Enter** to save the name, or **Cancel** to exit without saving.
7. Press the knob.

Scene Steps

This feature displays the amount of steps saved to the scene. To view previously saved steps, follow the instructions below:

1. Select the Scene to configure as instructed in [Record Scenes](#).
2. Use the knob to select **2. Step:(0/0)**.
3. Press the knob.
4. Turn the knob to cycle through the saved steps.

Add Step

This function adds a step to the scene. To add a step to the scene, do the following:

1. Select the Scene to configure as instructed in [Record Scenes](#).
2. Use the knob to select **Add Step**.
3. Press the knob.

Delete Step

This function deletes a step from the scene. To delete a step from the scene, follow the instructions below:

1. Select the Scene to configure as instructed in [Record Scenes](#).
2. Use the knob to select **Delete Step**.
3. Press the knob.

Timing

This function sets the intervals between steps, as well as a fading effect if desired.

1. Select the Scene to configure as instructed in [Record Scenes](#).
2. Use the knob to select **5. Timing**.
3. Press the knob.
4. Use the knob to select:
 - **2. Fade In Time:0.10S—9M59S**.
 - Press the knob.
 - **3. Fade Out Time:0.10S—9M59S**.
 - Press the knob.
 - **4. Delay Time:0.10—9M59S**.
 - Press the knob.
 - **5. Exit** (to cancel).
5. Select **1. Save Step** menu option to save timing settings.

Trigger Settings

The Net-X II can assign a trigger to an external dry contact switch to trigger a recorded scene. When the trigger is turned on, the Trigger Info will display on the display screen with the scene name, amount of steps, and the timing set for that scene.

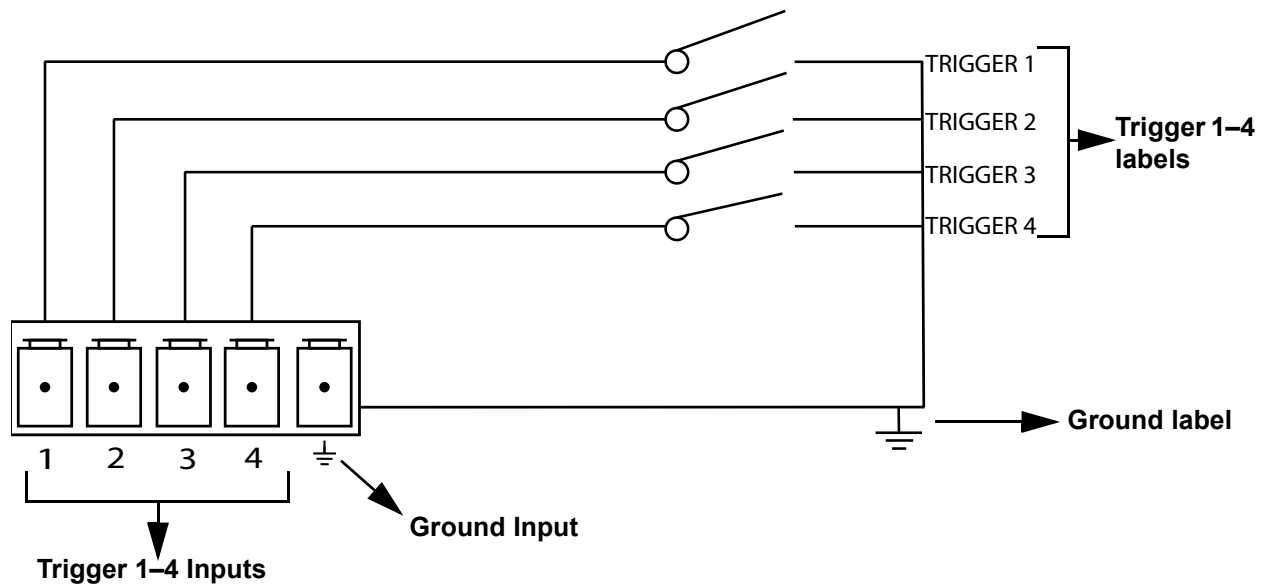
1. Use the knob to select **11. Trigger Settings**.
2. Press the knob.
3. Use the knob to select **Trigger 1–4**.
4. Press the knob.
5. Use the knob to select the desired **Scene 1–10**.
6. Press the knob.

Operation

Trigger Setting Diagram

The Net-X II can set recorded scenes to a trigger using the 5-wire Phoenix Connector on the rear of the unit. Up to 4 triggers can be connected for momentary functionality.

A latching switch will be necessary to run indefinitely.



Backup

The Net-X II has a backup setting that allows the product to save and load configurations.

1. Use the knob to select **12. Backup.**
2. Press the knob.
3. Use the knob to select **1. Save.**
4. Press the knob.
5. Use the knob to select **2. Load.**
6. Press the knob.
7. Use the knob to select **3. Exit** (to cancel).
8. Press the knob.

This will backup to the internal memory, and does NOT include the recorded scenes. The use of the webserver backup method will be needed to backup to an external source.

Firmware Version

This function displays the firmware version of the product.

1. Use the knob to select **13. Firmware Version.**
2. Press the knob. The firmware version will display: **B1.0 V1.6.**
3. Press the knob to exit.

Exit


This function exits out of the menu to the main screen.

1. Use the knob to select **14. Exit.**
2. Press the knob. The product returns to the home screen.

Web Server

The Net-X II Web Server can be accessed by any computer on the same network as the product. It allows network access to system information, settings such as control setup, backup, manual testing of all functions, and firmware updates. To access the web browser:

1. Connect the product to a Windows computer with a network cable.
2. Enter the IP address of the product into the URL bar of a web browser on the computer and press enter.



NET-X II

Version 1.0

Device Setting		DMX Input A		DMX Input B	
Device Name	NET-X V2	Port Status	Input ▾	Port Status	Input ▾
IP Mode	Static IP ▾	Port Mode	Normal ▾	Port Mode	Backup ▾
Ip Address	2.32.108.49	Protocol	ArtNet ▾	Protocol	sACN ▾
Net Mask	255.0.0.0 ▾	1st Universe	0 DEC ▾	1st Universe	2 DEC ▾
Operating Mode	2 + 8 Port ▾				
User Presets	Art-net 8-port DMX ▾				
Firmware Version	B1.0 V1.4				

DMX Port 01		DMX Port 02		DMX Port 03		DMX Port 04	
Port Status	Disable ▾	Port Status	Output ▾	Port Status	Output ▾	Port Status	Output ▾
		Port Mode	HTP ▾	Port Mode	Single ▾	Port Mode	Single ▾
		Protocol	ArtNet ▾	Protocol	sACN ▾	Protocol	sACN ▾
		Frame Rate	40HZ ▾	Frame Rate	40HZ ▾	Frame Rate	40HZ ▾
		1st Universe	0 DEC ▾	1st Universe	3 DEC ▾	1st Universe	4 DEC ▾
		2nd Universe	9 DEC ▾				
		Resend 2 Net-U	17 DEC ▾				

DMX Port 05		DMX Port 06		DMX Port 07		DMX Port 08	
Port Status	Output ▾	Port Status	Output ▾	Port Status	Output ▾	Port Status	Output ▾
Port Mode	Single ▾	Port Mode	Single ▾	Port Mode	Single ▾	Port Mode	Single ▾
Protocol	sACN ▾	Protocol	sACN ▾	Protocol	sACN ▾	Protocol	ArtNet ▾
Frame Rate	40HZ ▾	Frame Rate	40HZ ▾	Frame Rate	40HZ ▾	Frame Rate	40HZ ▾
1st Universe	5 DEC ▾	1st Universe	6 DEC ▾	1st Universe	7 DEC ▾	1st Universe	0 DEC ▾

Firmware Upgrade

Please select a firmware file.

Choose File: No file chosen

Operation

Web Server Overview

Device Setting	
Device Name	NET-X V2
IP Mode	Static IP
Ip Address	2.32.108.49
Net Mask	255.0.0.0
Operating Mode	2 + 8 Port
User Presets	Art-net 8-port DMX
Firmware Version	B.1.0 V1.4

- Select Device Name
- Select Static or Manual IP Mode
- Product IP address
- Select Netmask
- Select Operation Mode
- Select User Presets
- Displays Firmware

DMX Port Overview - Input Status

DMX Port 01	
Port Status	Input
Port Mode	Normal
Protocol	ArtNet
1st Universe	0 DEC

- Selects Port Status
- Selects Normal or Backup
- Selects Protocol
- Selects DEC or HEX
- Sets Universe

DMX Port Overview - Output Status

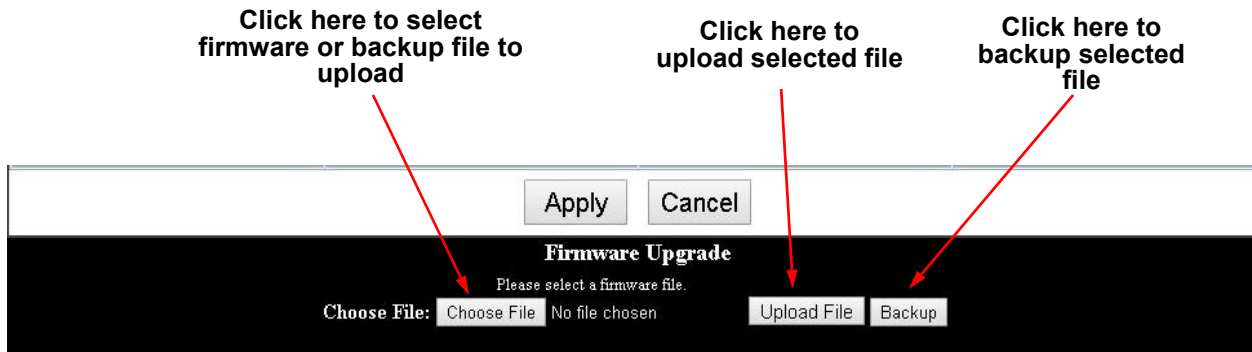
DMX Port 02	
Port Status	Output
Port Mode	HTP
Protocol	ArtNet
Frame Rate	40HZ
1st Universe	0 DEC
2nd Universe	9 DEC
Resend 2 Net-U	17 DEC

Options will only display if Output Status is selected and either HTP or LTP as Port Mode.

- Selects Port Status
- Selects HTP or LTP
- Selects Protocol
- Selects Frame Rate
- Sets 1st Universe
- Selects DEC or HEX for 1st Universe
- Selects DEC or HEX for 2nd Universe
- Sets 2nd Universe
- Sets Resend Universe
- Selects DEC or HEX for Resend

Firmware Update/Backup

The Net-X II has a backup setting that allows the product to save and load configurations from the web server. The Net-X II also has firmware upgrades that allow the product to be updated to the latest firmware. To utilize these functions, follow the instructions below:



5. Technical Information

Product Maintenance

To maintain optimum performance and minimize wear, clean this product frequently. Usage and environment are contributing factors in determining the cleaning frequency.

Clean this product at least twice a month. Dust build-up reduces performance and can cause overheating. This can lead to reduced life and increased mechanical wear.

To clean the product:

1. Unplug the product from power.
2. Wait until the product is at room temperature.
3. Use a vacuum (or dry compressed air) and a soft brush to remove dust collected on the external vents.
4. Clean all transparent surfaces with a mild soap solution, ammonia-free glass cleaner, or isopropyl alcohol.
5. Apply the solution directly to a soft, lint free cotton cloth or a lens cleaning tissue.
6. Softly drag any dirt or grime to the outside of the transparent surface.
7. Gently polish the transparent surfaces until they are free of haze and lint.



Always dry the transparent surfaces carefully after cleaning them.

6. Technical Specifications

Dimensions and Weight

LENGTH	WIDTH	HEIGHT	WEIGHT
19 in (483 mm)	6.22 in (158 mm)	1.73 in (44 mm)	4.6 lb (2.1 kg)

Note: Dimensions in inches rounded to the nearest decimal digit.

Power

POWER SUPPLY TYPE	RANGE	VOLTAGE SELECTION
Switching (internal)	100 to 240 VAC, 50/60 Hz	Auto-ranging

PARAMETER	120 V, 60 Hz	208 V, 60 Hz	230 V, 50 Hz
Consumption	11 W	14 W	14 W
Operating Current	0.09 A	0.06 A	0.06 A

POWER I/O	U.S./WORLDWIDE	UK/EUROPE
Power input connector	Neutrik® powerCON® A	Neutrik® powerCON® A
Power Cord plug	Edison (U.S.)	Local Plug

Connections

INPUTS	OUTPUTS/INPUTS (ASSIGNABLE)	THROUGHPUTS
Neutrik® etherCON® (1 total) 5-pin XLR (2 total)	5-pin XLR (8 total)	Neutrik® etherCON® (1 total)

Thermal

MAXIMUM EXTERNAL TEMPERATURE	COOLING SYSTEM
104 °F (40 °C)	Convection

Ordering

PRODUCT NAME	ITEM NAME	ITEM CODE	UPC NUMBER
NET-X II	NETXII	09111455	781462218034



RoHS



Returns

Send the product prepaid, in the original box, and with the original packing and accessories. Chauvet will not issue call tags.

Call Chauvet and request a Return Merchandise Authorization (RMA) number before shipping the product. Be prepared to provide the model number, serial number, and a brief description of the cause(s) for the return.

To submit a service request online, go to www.chauvetprofessional.com/service-request.

Clearly label the package with an RMA number. Chauvet will refuse any product returned without an RMA number.



Write the RMA number on a properly affixed label. DO NOT write the RMA number directly on the box.

Once you have the RMA number, provide the following information on a piece of paper and place it inside the box:

- Your name
- Your address
- Your phone number
- RMA number
- A brief description of the problem

Be sure to pack the product properly. Any shipping damage resulting from inadequate packaging will be your responsibility. FedEx packing or double-boxing are recommended.



Chauvet reserves the right to use its own discretion to repair or replace returned product(s).

Contact Us

World Headquarters	
General Information	Technical Support
Address: 5200 NW 108th Ave. Sunrise, FL 33351 Voice: (954) 577-4455 Fax: (954) 929-5560 Toll Free: (800) 762-1084	Voice: (844) 393-7575 Fax: (954) 756-8015 Email: chauvetcs@chauvetlighting.com
	Website www.chauvetprofessional.com
EUROPE	
General Information	Technical Support
Address: Stokstraat 18 9770 Kruishoutem Belgium Voice: +32 9 388 93 97	Email: eutech@chauvetlighting.eu
	Website www.chauvetprofessional.eu
General Information	Technical Support
Address: Unit 1C Brookhill Road Industrial Estate Pinxton, Nottingham, UK NG16 6NT Voice: +44 (0) 1773 511115 Fax: +44 (0) 1773 511110	Email: uktech@chauvetlighting.com
	Website www.chauvetprofessional.eu
MEXICO	
General Information	Technical Support
Av. de las Partidas 34 - 3B, Zona Industrial Lerma (Entrance by Calle 2) Lerma, Edo. de México, CP 52000 Voice: +52 (728) 690-2010	Email: servicio@chauvet.com.mx
	Website www.chauvetprofessional.mx

Visit the applicable website above to verify our contact information and instructions to request support. Outside the U.S., United Kingdom, Germany, France, Ireland, Mexico or Benelux, contact the dealer of record.

Notas de la Edición

El Manual de usuario del Net-X II contiene una descripción, precauciones de seguridad e instrucciones de instalación, programación, funcionamiento y mantenimiento del Net-X II en el momento de la publicación de esta edición.

GARANTÍA LIMITADA

PARA VER EL REGISTRO DE GARANTÍA Y LOS TÉRMINOS Y CONDICIONES COMPLETOS, VISITE NUESTRO SITIO WEB.

Para clientes en los Estados Unidos y México: www.chauvetlighting.com/warranty-registration.

Para clientes en Reino Unido, República de Irlanda, Bélgica, Países Bajos, Luxemburgo, Francia y Alemania: www.chauvetlighting.eu/warranty-registration.

Chauvet garantiza que este producto estará libre de defectos de material y mano de obra en condiciones de uso normales, durante el periodo especificado, sujeto siempre a las exclusiones y limitaciones establecidas en la garantía limitada completa de nuestro sitio web. Esta garantía se concede únicamente al comprador original del producto y no es transferible. Para ejercer los derechos que otorga esta garantía, usted debe proporcionar una prueba de compra en forma de un recibo de compra original, expedido por un distribuidor autorizado, donde figure el nombre del producto y la fecha de compra. **NÓ EXISTEN OTRAS GARANTÍAS EXPRESAS NI IMPLÍCITAS.** Esta garantía le otorga derechos legales específicos. Es posible que a usted le asistan otros derechos, que variarán dependiendo del estado o del país. Esta garantía solamente es válida en los Estados Unidos, Reino Unido, República de Irlanda, Bélgica, Países Bajos, Luxemburgo, Francia, Alemania y México. Para conocer los términos de garantía en otros países, consulte a su distribuidor local.

Marcas registradas

CHAUVET, el logotipo de Chauvet y Net-X II son marcas comerciales o marcas registradas de Chauvet & Sons LLC (con nombres comerciales Chauvet y Chauvet Lighting) en los Estados Unidos y otros países. Otras empresas, nombres de productos y logotipos a los que se haga referencia aquí pueden ser marcas comerciales de sus respectivas empresas.

Aviso de derechos de autor

Las obras de autoría contenidas en este manual, incluyendo, pero sin limitarse a ellas, todos los dibujos, textos e imágenes, son propiedad de Chauvet.

© **Copyright 2018, Chauvet & Sons, LLC. Todos los derechos reservados.**

Publicado en formato electrónico por Chauvet en los Estados Unidos de América.

Uso del manual

Chauvet autoriza a sus clientes a descargar e imprimir este manual solo para propósitos de información profesional. Chauvet prohíbe expresamente la utilización, copia, almacenamiento, distribución, modificación o impresión de este manual o su contenido, con cualquier fin, sin consentimiento escrito de Chauvet.

Impresión del documento

Para mejores resultados, imprima este documento en color, en papel tamaño carta (215,9 × 279,4 mm), a doble cara. Si usa papel A4 (210 x 297 mm), configure la impresora para escalar el contenido proporcionalmente.

Destinatarios

Cualquier persona a cargo de la instalación, manejo y/o mantenimiento de este producto debe leer íntegramente la guía que se entrega con el producto, así como este manual, antes de instalar, manejar o mantener este producto.

Exención de responsabilidad

Chauvet cree que la información contenida en este manual es exacta en todos los aspectos. Sin embargo, Chauvet no asume responsabilidad alguna, y queda exenta específicamente de todas y cada una de las responsabilidades y obligaciones, de la clase que sean y para con cualquier parte, por pérdida, perjuicio o trastorno causados por cualquier error u omisión en este documento, tanto si tales errores y omisiones se deben a negligencia o accidente como a cualquier otra causa. Chauvet se reserva el derecho a revisar el contenido de este documento sin ninguna obligación de notificar dicha revisión a ninguna persona o empresa; sin embargo, Chauvet no está en absoluto obligado a hacerlo así, ni se compromete a realizar revisión alguna.

Revisión del documento

Este manual del usuario del Net-X II es la revisión 3 edición de este documento con la versión de firmware 1.6. Visite www.chauvetprofessional.com para obtener la última versión.

1. Antes de empezar

Qué va incluido

- Net-X II
- Cable de alimentación Neutrik® powerCON®
- Manual de usuario

Reclamaciones

Inmediatamente después de recibirlo, desembale este producto con cuidado y compruebe el contenedor. Asegúrese de que ha recibido todas las partes que se indican arriba en buenas condiciones.




A su recepción, si el continente o el contenido (el producto y los accesorios incluidos) parecen dañados a causa del transporte o muestran signos de manipulación inadecuada, notifíquesele inmediatamente al transportista, y no a Chauvet. Si no lo hace oportunamente, puede quedar invalidada su reclamación al transportista. Además, guarde la caja y todo el material de embalaje para su inspección.

Para otras incidencias, como componentes o piezas que falten, daños no relacionados con el transporte o daños no evidentes, presente una reclamación a Chauvet en el plazo de 7 días de la recepción de la mercancía.

Convenciones del manual

CONVENCIÓN	SIGNIFICADO
1-512	Un rango de valores en el texto
50/60	Un conjunto de valores mutuamente excluyentes en el texto
<SET>	Un botón en el panel de control del producto
Settings	Una función del producto o una opción de menú

Símbolos

SÍMBOLOS	SIGNIFICADO
	Instalación, configuración o información crítica sobre el funcionamiento. El incumplimiento de esta información puede causar que el producto no funcione, que se averíe, u ocasionar daños al usuario.
	Instalación o información de configuración importante. Hacer caso omiso de esta información puede hacer que el producto no funcione.
	Información útil

Notas de seguridad

Por favor, lea todas las notas de seguridad siguientes antes de poner en funcionamiento este producto. Estas notas contienen información importante de seguridad sobre la instalación, uso y mantenimiento de este producto.



Este producto no contiene piezas reparables por el usuario. Cualquier referencia a la reparación en este manual de usuario se aplicará solamente a técnicos certificados, adecuadamente formados. No abra la carcasa ni intente ninguna reparación.



Todos los códigos locales y regulaciones correspondientes se aplican a la instalación adecuada de este producto.

Seguridad personal

- Evite la exposición directa de los ojos a la fuente de luz mientras es producto esté encendido.
- Desconecte siempre el producto de la fuente de alimentación antes de limpiarlo o cambiar el fusible.
- Conecte siempre el producto a un circuito con toma de tierra para evitar el riesgo de electrocución.
- No toque la carcasa del producto cuando esté en funcionamiento, porque podría estar muy caliente.

Montaje

- ¡Este producto es para uso en interiores solamente! Para evitar riesgos de incendio o descarga, no exponga este producto a la lluvia o la humedad (IP20).
- CUIDADO: cuando traslade el producto desde ambientes de temperatura extrema (p. ej., desde un camión frío a una sala de fiestas húmeda y caliente) se puede formar condensación en la electrónica interna del producto. Para evitar que se produzca un fallo, deje que el producto se aclimate totalmente al entorno antes de conectar la alimentación.
- Asegúrese de que no hay materiales inflamables cerca de este producto cuando esté en funcionamiento.
- No mueva nunca el producto tirando del cable de alimentación.

Alimentación y cableado

- Asegúrese de que el cable de alimentación no está retorcido ni estropeado.
- Asegúrese siempre de que conecta este producto a la tensión adecuada, en concordancia con las especificaciones de este manual o de la etiqueta de especificación del producto.
- Para evitar un desgaste innecesario y alargar su vida útil, desconecte completamente el producto de la alimentación mediante el interruptor o desenchufándolo durante periodos en que no se use.
- Nunca conecte este producto a un regulador de intensidad o reostato.
- Nunca desconecte este producto agarrando o tirando del cable de alimentación.

Funcionamiento

- No haga funcionar este producto si hay daño en la carcasa o en los cables. Haga que un técnico autorizado sustituya todas las piezas estropeadas.
- No cubra las ranuras de ventilación cuando esté funcionando, para evitar sobrecalentamiento interno.
- La temperatura ambiente máxima es de 113 °F (45 °C). No haga funcionar el producto a temperaturas más altas.
- ¡En caso de un problema grave de funcionamiento, deje de usar este producto inmediatamente!



Si su producto de Chauvet necesita reparación, póngase en contacto con el servicio técnico de Chauvet.

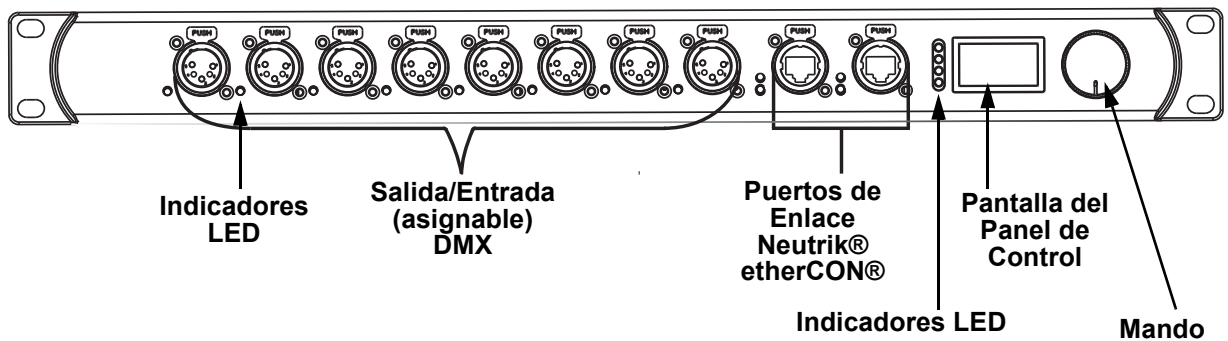
2. Introducción

Descripción

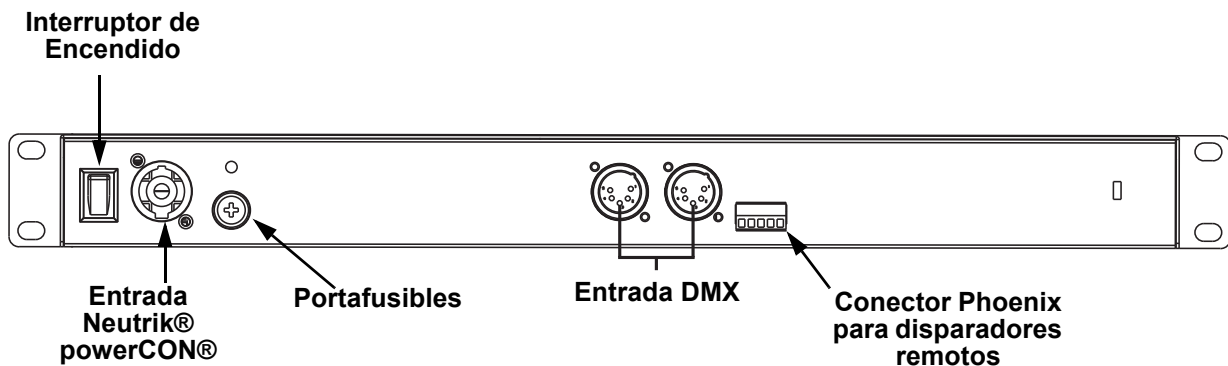
El Net-X II es un adaptador ethernet a DMX fiable y versátil, con un divisor óptico DMX integrado, que puede actuar como concentrador ethernet. Tiene dos puertos de entrada DMX de 5 pines y ocho puertos de salida DMX de 5 pines, todos ellos aislados ópticamente. Admite hasta 8 universos Art-Net™ o sACN simultáneos. Los ocho puertos de salida DMX de 5 pines se pueden asignar a cualquier puerto de entrada DMX o a uno de los universos Art-Net™ o sACN. Los puertos Neutrik® etherCON® son puertos de enlace que permiten la conexión en cadena de unidades Net-X.

El Net-X proporciona una infraestructura de red fiable y extremadamente flexible, para sistemas de control complejos. Combine dos controladores en el Net-X por medio de DMX, Art-Net™ o sACN, compatibles con las funciones LTP (Latest Takes Precedence, el último tiene prioridad) y HTP (Highest Takes Precedence, el más alto tiene prioridad). La función de grabación le permite grabar diseños de un controlador y guardarlos en memoria, compatible con servidor web para configuración remota y copia de seguridad o actualización.

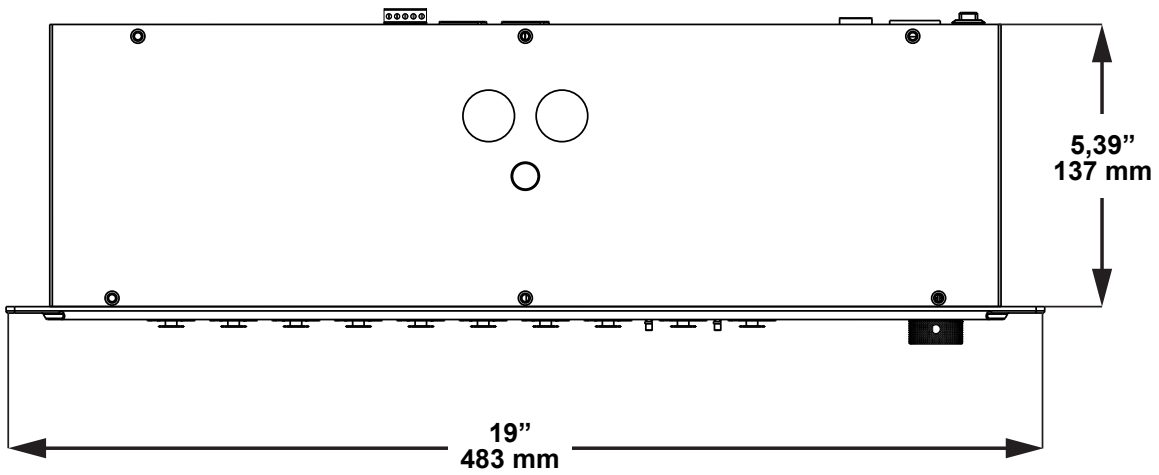
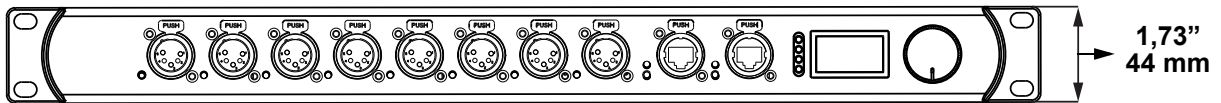
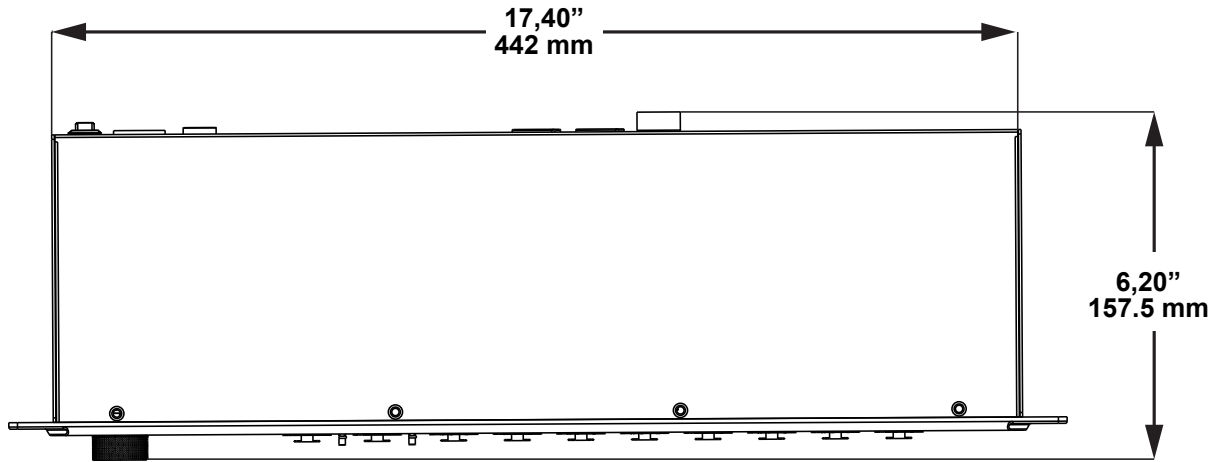
Vista general del panel frontal



Vista general del panel posterior



Dimensiones del producto



3. Instalación

Corriente alterna

El Net-X II tiene una fuente de alimentación interna con detección automática (autorango) que funciona con un rango de tensión de entrada de 100–240 VCA, 50/60 Hz. Para determinar los requisitos de alimentación para el Net-X II consulte la etiqueta fijada al producto o las [Especificaciones Técnicas](#). La especificación indica el consumo de corriente máximo durante un funcionamiento normal. Para más información, descargue Dimensionar interruptores automáticos del sitio web de Chauvet en www.chauvetprofessional.com.



- **Conecte siempre este producto a un circuito protegido con una toma de tierra eléctrica apropiada para evitar el riesgo de electrocución o incendio.**
- **Para evitar un desgaste innecesario y alargar su vida útil, desconecte completamente el producto de la alimentación mediante el interruptor o desenchufándolo durante periodos en que no se use.**



Nunca conecte este producto a un reostato (resistor variable) o circuito de atenuación, incluso si el canal del reostato o atenuador sirve solo como conmutador 0 a 100%.

Sustitución del Fusible

El Net-X II utiliza un fusible T 250 mA 250 V al que se puede acceder desde la parte posterior del producto. Para cambiar el fusible, haga lo siguiente:

1. Desconecte el producto de la alimentación.
2. Con un destornillador plano, desatornille la tapa del portafusibles de la carcasa.
3. Quite el fusible fundido.
4. Sustitúyalo con un fusible del mismo tipo y categoría.
5. Vuelva a atornillar la tapa del portafusibles en su sitio y conecte de nuevo la alimentación.



- **Desconecte el producto de la alimentación antes de sustituir el fusible.**
- **Sustituya siempre el fusible fundido con otro del mismo tipo y categoría.**

Montaje

Antes de montar este producto, lea las [Notas de Seguridad](#). Para nuestra línea Chauvet de abrazaderas de montaje, visite www.trusst.com/productcategory/accessories-clamps/.

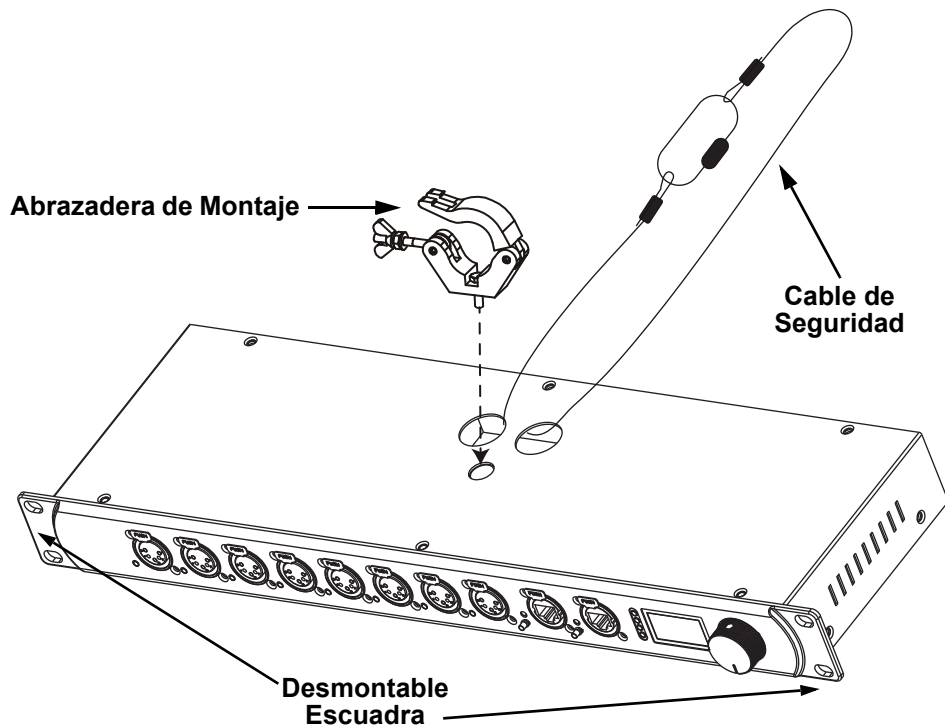
Orientación

Monte siempre este producto en una posición segura, donde estén accesibles el menú y los puertos, y cerciórese de que se trata de una sala adecuada para su ventilación, configuración y mantenimiento. El Net-X II encaja perfectamente en un rack de 19", se puede suspender boca arriba o boca abajo, o se pone sobre una superficie plana.

Utilice la siguiente pauta cuando monte el Net-X II:

- Cuando elija una ubicación para instalar, tenga en cuenta el acceso al producto para su manejo, ajustes de programación y mantenimiento de rutina.
- Asegúrese de montar este producto apartado de cualquier material inflamable, como se indica en las Notas de Seguridad.
- Nunca monte en lugares donde la lluvia, humedad alta, cambios extremos de temperatura o ventilación limitada puedan afectar al producto.
- Si cuelga este producto, asegúrese de que la ubicación del montaje puede soportar el peso del producto. Vea las Especificaciones Técnicas para los requisitos de soporte de peso de este producto.
- Cuando cuelgue este producto, asegúrelo siempre a un dispositivo de fijación usando un cable de seguridad (como el CH-05 de Chauvet).
- Deje holgura suficiente en los cables para evitar tensión y tirones en los enchufes.

Diagrama de Montaje del Producto



Pauta de Instalación

El Net-X II se usa como parte de un sistema de control para manejar varios productos de iluminación y multimedia. La construcción física y digital de la red de control viene determinada por la ubicación y las necesidades de señal de los productos.

Cuando diseñe un sistema de control que use Net-X II, tenga en cuenta lo siguiente:

- Coloque el Net-X II de forma que se pueda acceder al menú y a los puertos
- Tire los cables de forma que no haya tensión ni tirantez ni en los cables ni en los enchufes
- Planifique un sistema de control grande con cuidado antes de configurar los componentes para no duplicar direcciones IP, direcciones DMX u otros identificadores

Conexiones de señal

El Net-X II recibe señal a través de los 2 puertos de entrada DMX y de uno de los 2 puertos Neutrik® etherCON®. Envía la señal de salida a través de los 8 puertos de salida DMX y el otro puerto Neutrik® etherCON®.

Conexión Art-Net™

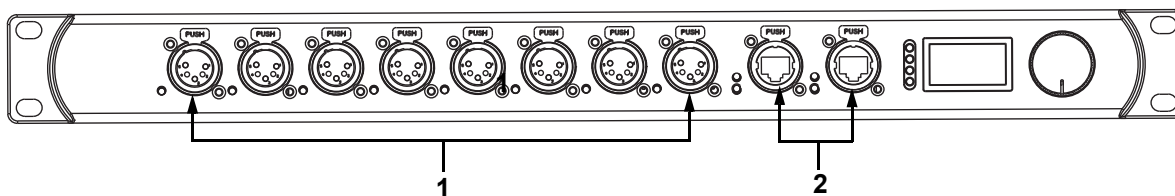
Art-Net™ es un protocolo Ethernet que utiliza TCP/IP para transferir gran cantidad de datos DMX512 usando una conexión etherCON® RJ45 sobre una red de gran tamaño. Hay disponible un documento sobre el protocolo Art-Net™ desde www.chauvetprofessional.com. El diseño y copyright de Art-Net™ pertenece a Artistic Licence Holdings Ltd.

Conexión sACN

También conocido como ANSI E1.31, el streaming ACN es un protocolo Ethernet que usa las capas y formato de Architecture for Control Networks (arquitectura para redes de control) para transportar datos DMX512 sobre IP o cualquier otra red compatible con ACN.

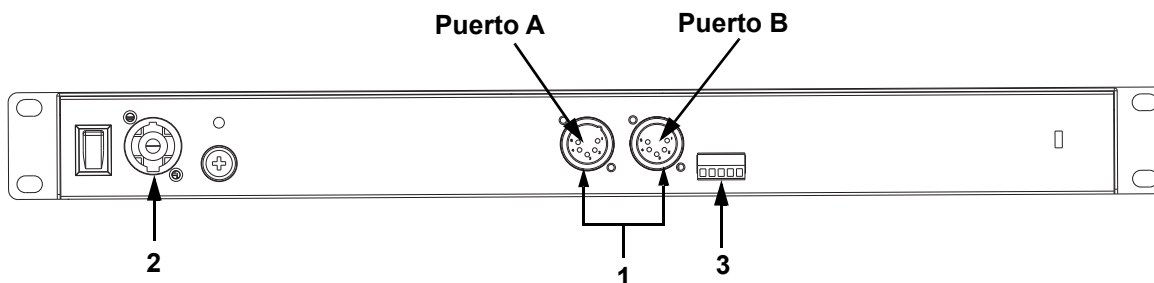
Diagramas de conexiones

Diagrama de conexiones de entrada



#	CONEXIÓN	FINALIDAD
1	Salida/Entrada DMX	Reciba o envíe entradas / salidas DMX a o desde controladores o productos. Puede recibir DMX para convertirlo a Art-Net™ o sACN.
2	Art-Net™ Ethernet	Enlace a redes Art-Net™, sACN, y acceso a servidor web

Diagrama de conexiones de salida



#	CONEXIÓN	FINALIDAD
1	Entrada DMX	Puertos DMX A y B
2	Entrada Neutrik® powerCON®	Puissance d'entrée
3	Conector Phoenix	Para disparar escenas grabadas



- Los puertos Neutrik® etherCON® son puertos de enlace. Cada puerto puede ser de entrada o de salida.
- El conector Phoenix tiene cuatro entradas (disparos 1–4) y un terminal de tierra.

4. Funcionamiento

Funcionamiento del panel de control

El Net-X II se configura a través del panel de control, usando el mando de control. Una vez que el Net-X II está convenientemente configurado, funciona sin intervención del usuario. El Net-X II se puede usar como splitter DMX, en cuyo caso los puertos DMX se deben asignar a los puertos de salida/entrada DMX, y puede que no se necesite configurar red, ni subred ni dirección IP. El Net-X II se puede usar como nodo Art-Net™, en cuyo caso los universos Art-Net™ se deben asignar a los puertos de salida/entrada DMX, y es necesario configurar red, subred y dirección IP. El Net-X II se puede usar como nodo sACN, en cuyo caso los universos sACN se deben asignar a los puertos de salida/entrada DMX, y es necesario configurar los parámetros de la dirección IP. El Net-X II se puede usar como splitter DMX y como nodo Art-Net™ o sACN a la vez, en cuyo caso es necesario configurar tanto las asignaciones DMX como los ajustes de Art-Net™ o sACN. Para más información, consulte Configuraciones de ejemplo. El Net-X II se puede usar para mezclar dos señales DMX, Art-Net™ o sACN de diferentes controladores y que emita una sola señal, utilizando las funciones LTP (Latest Takes Precedence, el último tiene prioridad) y HTP (Highest Takes Precedence, el más alto tiene prioridad). El Compatible con servidor web para configuración remota y copia de seguridad o actualización. Mezcle dos controladores por medio de DMX, Art-Net™ o sACN. La función de grabación le permite grabar diseños de un controlador y guardarlos en memoria. Estos se pueden implementar a través de los activadores de Phoenix.

Mando de Control

El Net-X II tiene un mando para desplazarse por las opciones del menú. Pulse el mando para realizar una selección.

Programación

Consulte Mapa de menú para comprender las opciones de menú. El mapa de menú muestra el nivel principal y un número variable de niveles de programación para cada opción.

- Para acceder al menú desde la pantalla de inicio, pulse el mando.
- Para desplazarse por las opciones de cada nivel del menú, gire el mando. Gire en sentido horario para desplazarse hacia abajo y en sentido contrario para desplazarse hacia arriba.
- Pulse el mando para seleccionar la opción resaltada. Esto le llevará al siguiente nivel de programación para esa opción, o resaltará un valor que se podrá editar.
- Para aumentar el valor de un número seleccionado, gire el mando en sentido horario. Para disminuir el valor de un número seleccionado, gire el mando en sentido antihorario.
- Pulse **Salir/Cancelar** para regresar al nivel principal anterior.
- Presione la mando por 3 segundos para regresar a la pantalla de inicio.

Mapa de menú

NIVEL PRINCIPAL	NIVELES DE PROGRAMACIÓN		DESCRIPCIÓN
1. Custom Device Name	-----		Introduce un nombre de dispositivo personalizado
2. Set IP Mode	1. Static IP	-----	La dirección predeterminada no se puede cambiar
	2. Manual IP	-----	Configura las direcciones IP
		Cancel Enter	
3. Exit			Sale a la pantalla anterior
3. Set Netmask	A. 255.000.000.000		Configura la máscara de red A
	B. 255.255.000.000		Configura la máscara de red B
	C. 255.255.255.000		Configura la máscara de red C
	Exit		Sale a la pantalla anterior
4. Operating Mode	1. 8 Port		Asigna cada puerto a entrada o salida (también es compatible con RDM sobre Ethernet)
	2. 2 + 8 Port		Admite la combinación de DMX con las dos entradas DMX (deshabilita la función RDM)
	3. Exit		Sale a la pantalla anterior
5. NetWork Timeout	1. Disabled		Desactiva la función de tiempo de espera
	2. 1 Seconds		1 segundo de retraso de tiempo para dejar de recibir comandos desde una consola conectada a la red
	3. 2 Seconds		2 segundos de retraso de tiempo para dejar de recibir comandos desde una consola conectada a la red
	4. 5 Seconds		5 segundos de retraso de tiempo para dejar de recibir comandos desde una consola conectada a la red
	5. Exit		Sale a la pantalla anterior

NIVEL PRINCIPAL	NIVELES DE PROGRAMACIÓN		DESCRIPCIÓN	
6. Set DMX Port DMX Ports 1–8 / DMX Input A–B (Las entradas A y B se muestran solo cuando el modo de operación está configurado en 2 + 8 puertos)	1. Disp Type	HEX	Valores hexadecimales	
		DEC	Valores decimales	
	2. DMX Status	OUTPUT	Establezca el puerto como Salida	
		INPUT	Configura el puerto para recibir DMX desde un controlador que se puede encaminar hacia otro puerto DMX	
		DISABLE	Deshabilita el puerto de salida	
	3. DMX Mode	SINGLE (Estado de SALIDA solamente)	Desactiva la fusión de señal Ethernet	
		LTP (Estado de SALIDA solamente)	Configura la combinación de señal Ethernet como Latest Takes Precedence	
		HTP (Estado de SALIDA solamente)	Configura la combinación de señal Ethernet como Highest Takes Precedence	
		NORMAL (Estado de ENTRADA solamente)	Configura los puertos de entrada que actúan como un controlador primario	
		BACKUP (Estado de ENTRADA solamente)	Configura los puertos de entrada como un controlador de respaldo	
	4. Protocol	ArtNet	Configure la fuente de entrada/salida para el puerto DMX como Art-Net™	
		sACN	Configure la fuente de entrada/salida para el puerto DMX como sACN	
	5. Framerte/fs	010–040	Configure la velocidad de los puertos de salida	
	6. Network	00H–7FH (HEX) 000–128 (DEC)	Configura los ajustes de red	
7. 1st Universe	00H–FFH (Hex) 000–256 (Dec)	Configura el universo primario de entrada/salida		
8. 2nd Universe	00H–FFH (Hex) 000–256 (Dec)	Configura el universo de salida secundario cuando se usa la señal HTP/LTP fusionándose con el 1er universo		
9. Resend 2 Net-U	00H–FFH (Hex) 000–256 (Dec)	Determina qué universo retransmitir a la red (cuando se usa el primer y el segundo universo)		
10. Exit (Opción 8 para estado de Entrada o estado de Salida en modo individual)	Sale a la pantalla anterior			

NIVEL PRINCIPAL	NIVELES DE PROGRAMACIÓN		DESCRIPCIÓN	
7. LCD Backlight	1. On		La pantalla permanece encendida	
	2. 10 Seconds		La pantalla se apaga a los 10 segundos	
	3. 30 Seconds		La pantalla se apaga a los 30 segundos	
	4. Exit		Sale a la pantalla anterior	
8. User Preset	1. Art-net 8-port DMX		Configura los 8 puertos para recibir 8 universos ArtNet entre 0-7	
	2. sACN to 8-port DMX		Configura los 8 puertos para recibir 8 universos sACN entre 1-8	
	3. 1x8 DMX Splitter		Configura el producto para funcionar como separador DMX con las 8 entradas recibiendo DMX desde la entrada A	
	4. 2x4 DMX Splitter		Configura las salidas 1-4 al puerto de entrada A y las salidas 5-8 al puerto de entrada B	
	5. Exit		Sale a la pantalla anterior	
9. Factory Reset	NO		Restablece el dispositivo a la configuración de fábrica	
	YES			
10. Record Scenes <1-10>	1. Name Scene	-----	Cancel Enter	Personalizar el nombre de la escena
	2. Step: (0/0)	000-100		Desplácese al paso que desee editar
	3. Add Step			Esta función añade un paso a la escena
	4. Delete Step	NO		Esta función borra un paso de la escena
		YES		
	5. Timing	1. Save Step		Guarda los tiempos para el paso seleccionado)
		2. Fade In Time	0.10S-9M59S	Selecciona el tiempo de fade in
		3. Fade Out Time	0.10S-9M59S	Selecciona el tiempo de fade out
4. Delay Time		0.10S-9M59S	Selecciona el tiempo de retardo	
6. Exit			Sale a la pantalla anterior	
11. Trigger Settings	1. Trigger 1	Scene 1-10		Asigna el disparador 1 a una de las 10 escenas
	2. Trigger 2	Scene 1-10		Asigna el disparador 2 a una de las 10 escenas
	3. Trigger 3	Scene 1-10		Asigna el disparador 3 a una de las 10 escenas
	4. Trigger 4	Scene 1-10		Asigna el disparador 4 a una de las 10 escenas
	5. Exit			Sale a la pantalla anterior

FUNCIONAMIENTO

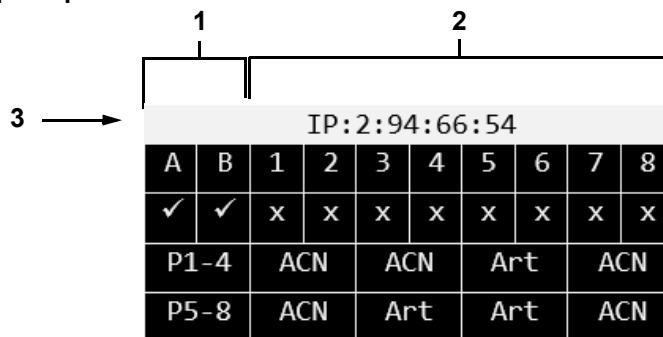
NIVEL PRINCIPAL	NIVELES DE PROGRAMACIÓN		DESCRIPCIÓN
12. Backup	1. Save	Preset 1–10	Guarda y carga configuraciones; pulse el mando para confirmar y Exit (Salir) para cancelar
	2. Load	Preset 1–10	
	3. Exit		Sale a la pantalla anterior
13. Firmware Version	-----		Muestra el firmware
14. Exit	Exit		Sale a la pantalla anterior

Configuración de ajustes de funcionamiento

Pantalla de inicio

El Net-X II tiene 2 pantallas de inicio que muestran el estado actual de todos los puertos. La pantalla de inicio aparece cuando no se está accediendo al menú. Para acceder al menú desde la pantalla de inicio, pulse el mando. Para volver a la pantalla de inicio desde el menú, seleccione **13. Exit** (Salir) y pulse el mando, o presione y sostenga la perilla de control por 3 segundos (esto puede hacerse desde cualquier posición en el mapa del Menú).

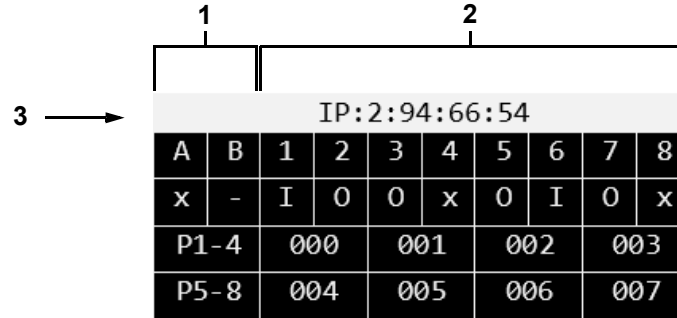
Pantalla de inicio principal



#	SÍMBOLOS	DESCRIPCIÓN
1	A–B	Ethernet en / a través de puertos
	- o x	x está conectado
	(estado del puerto de entrada A/B)	- está desconectado
	P1–4	etiqueta del universo de los puertos 1–4
2	P5–8	etiqueta del universo de los puertos 5–8
	1–8	número de puerto hembra de 5 pines (1–8)
	✓ o x	✓ detecta una señal
	(sensor de señal para puertos 1–8)	x ninguna señal detectada
3	000–256	define el universo del puerto de salida o entrada para las salidas 1–4
	000–256	define el universo del puerto de salida o entrada para las salidas 5–8
3	IP:	configura las direcciones IP

Pantalla de inicio secundaria

Para acceder a la pantalla de inicio secundaria, gire la perilla cuando vea la pantalla de inicio principal.



#	SÍMBOLOS	DESCRIPCIÓN
1	A-B	puerto de entrada macho de 5 pines
	- o x	x está conectado
	(Estado de puertos Ethernet)	- está desconectado
	P1-4	etiqueta del universo de los puertos 1-4
2	P5-8	etiqueta del universo de los puertos 5-8
	1-8	número de puerto hembra de 5 pines (1-8)
	I, O, o x (modo de puerto 1-8)	entrada (I)
		salida (O)
		deshabilitado (x)
Art, ACN, o DMX (Art-Net™, sACN, o DMX)	define el universo del puerto de salida o entrada para las salidas 1-4	
Art, ACN, o DMX (Art-Net™, sACN, o DMX)	define el universo del puerto de salida o entrada para las salidas 5-8	
3	IP:	configura las direcciones IP

Nombre de dispositivo personalizado

Para asignar al Net-X II un nombre de dispositivo personalizado, haga lo siguiente:

1. Utilice el mando para seleccionar **1. Custom Device Name** (Nombre de dispositivo personalizado).
2. Pulse el mando.
3. Si no hay un nombre configurado para este producto, pulse el mando. Si hay un nombre configurado para este producto, utilice el mando para seleccionar qué letra editar y, a continuación, pulse el mando.
4. Utilice el mando para seleccionar la letra, número o símbolo, entre **A-@**. Hay 63 opciones.
5. Repita hasta haber configurado el nombre deseado.
6. Utilice el mando para seleccionar **Enter** y guardar el nombre o **Cancel** (Cancelar) para salir sin guardar. Bloqueo del panel frontal.

Dirección IP

El Net-X II puede utilizar una dirección IP estática preconfigurada, o bien puede configurarse manualmente.

Static IP

Para configurar el Net-X II con una dirección IP estática preconfigurada, siga las instrucciones siguientes:

1. Utilice el mando para seleccionar **2. Set IP Mode**.
2. Pulse el mando.
3. Utilice el mando para seleccionar **1. Static IP**.
4. Pulse el mando.

Manual IP

Para configurar la dirección IP manualmente, haga lo siguiente:

1. Utilice el mando para seleccionar **2. Set IP Mode**.
2. Pulse el mando.
3. Utilice el mando para seleccionar **2. Manual IP**.
4. Pulse el mando.
5. La dirección IP se puede configurar desde **000.000.000.000 a 255.255.255.255**, utilizando el mando para desplazarse por los números entre **000-255** por cada byte (número de tres dígitos). Utilice este proceso para configurar cada uno de los cuatro bytes.
6. Utilice el mando para seleccionar **Enter** y guardar la dirección IP escogida o **Cancel** (Cancelar) para salir sin guardar.

Configurar la Mascara de Red

Para configurar la máscara de red, siga las instrucciones siguientes:

1. Utilice el mando para seleccionar **3. Set Netmask**.
2. Pulse el mando.
3. Utilice el mando para seleccionar una de las opciones siguientes:
 - **A. 255.000.000.000**
 - **B. 255.255.000.000**
 - **C. 255.255.255.000**
 - **Exit** (Cancelar).

Modo de operación

El Net-X II puede funcionar como separador/convertidor, o como combinación DMX. Para cambiar entre los 2 modos, haga lo siguiente:

1. Utilice el mando para seleccionar **4. Operating Mode**.
2. Pulse el mando.
3. Utilice el mando para seleccionar **1. 8 puertos** (utilizado para activar RDM a través de Ethernet para el transporte de RDM a / desde dispositivos de iluminación a través de DMX de 5 pines a un controlador de iluminación a través de Ethernet, por ejemplo. Art-Net™, Art-RDM) o **2. 2 + 8 puertos** (requerido para el modo de divisor DMX a través de los 2 puertos DMX macho en la parte posterior del NET-X II; desactiva toda la funcionalidad RDM; agrega la entrada A y B de DMX en la opción de menú Establecer puerto DMX).
4. Pulse el mando.
5. **Exit** (Cancelar).

Tiempo de espera de Red

El tiempo de espera de la red establece el tiempo de retraso para que el Net-X II deje de recibir comandos de una consola conectada a la red. Esto solo se puede aplicar a los modos de fusión HTP/LTP DMX y a los protocolos Art-Net™ o sACN.

1. Utilice el mando para seleccionar **5. NetWork Timeout**.
2. Pulse el mando.
3. Utilice el mando para seleccionar **1. Disabled** (Deshabilita), **2. 1 Seconds** (1 segundo), **3. 2 Seconds** (2 segundos), o **4. 5 Seconds** (5 segundos).
4. Pulse el mando.
5. **5. Exit** (Salir) para cancelar.

Si está Disabled, el Net-X II permanecerá bloqueado en el controlador de iluminación de red, incluso si el controlador deja de enviar datos.

Configuración del Puerto DMX

El Net-X II tiene 8 puertos DMX que se pueden configurar como entradas o salidas. Para seleccionar un puerto DMX para configurar, siga las instrucciones siguientes:

1. Utilice el mando para seleccionar **6. Set DMX Port**.
2. Pulse el mando.
3. Utilice el mando para seleccionar el puerto DMX que desee, entre los **puertos DMX 1–8 / DMX Input A–B** (Las entradas DMX solo se mostrarán si el Modo de operación está configurado en 2 + 8 Puerto), o **Exit** (Salir) para cancelar.
4. Pulse el mando.

Tipo de Visualización

1. Seleccione el puerto DMX que vaya a configurar según se indica en [Configuración del puerto DMX](#).
2. Utilice el mando para seleccionar **1. Disp Type**.
3. Pulse el mando.
4. Utilice el mando para seleccionar **DEC** (decimal) o **HEX** (hexadecimal).
5. Pulse el mando.

Estado DMX

El estado DMX determina si el puerto seleccionado funciona como una entrada, como salida, o si está deshabilitado.

1. Seleccione el puerto DMX que vaya a configurar según se indica en [Configuración del puerto DMX](#).
2. Utilice el mando para seleccionar **2. DMX Status**.
3. Pulse el mando.
4. Utilice el mando para seleccionar el puerto que desee, entre los **puertos, 1. DISABLE, 2. OUTPUT**, o **3. INPUT**, o **Exit** (Salir) para cancelar.
5. Pulse el mando.

Modo DMX

El Net-X II es capaz de fusionar dos señales del mismo protocolo en una, usando la lógica HTP (mayor prioridad), o LTP (última toma precedencia) cuando el estado DMX se establece en Salida. Cuando el estado de DMX se establece en Entrada, Normal y Respaldo deben configurarse en el mismo universo de salida.

1. Seleccione el puerto DMX que vaya a configurar según se indica en [Configuración del puerto DMX](#).
2. Utilice el mando para seleccionar **3. DMX Mode**.
3. Pulse el mando.
4. Utilice el mando para seleccionar el modo que desee:
 - **SINGLE** (Estado de SALIDA solamente) - modo deshabilitado.
 - **HTP** (Estado de SALIDA solamente) - el más alto tiene prioridad.
 - **LTP** (Estado de SALIDA solamente) - el último tiene prioridad.
 - **NORMAL** (Estado de ENTRADA solamente) - El puerto de entrada actúa como un controlador primario.
 - **BACKUP** (Estado de ENTRADA solamente) - El puerto de entrada actúa como un controlador de respaldo; el Net-X II NO comenzará a aceptar cambios desde el puerto de respaldo hasta que el puerto normal con la misma asignación de Universo deje de transmitir la señal de control.
5. Pulse el mando.

FUNCIONAMIENTO

Protocolo

Configurar el protocolo en Art-Net™ o sACN.

1. Seleccione el puerto DMX que vaya a configurar según se indica en [Configuración del puerto DMX](#).
2. Utilice el mando para seleccionar **4. Protocol**.
3. Pulse el mando.
4. Utilice el mando para seleccionar **ArtNet** o **sACN**.
5. Pulse el mando.

Framerte/fs

El valor, en milisegundos (ms), es la velocidad a la que se envían los paquetes DMX desde los 8 puertos DMX. Esto solo se aplica cuando los puertos están configurados en Salida.

1. Seleccione el puerto DMX que vaya a configurar según se indica en [Configuración del puerto DMX](#).
2. Utilice el mando para seleccionar **5. Framerte/fs**.
3. Pulse el mando.
4. Utilice el mando para seleccionar **010–040**.
5. Pulse el mando.

Esto es importante para los dispositivos que no pueden recibir DMX de alta velocidad.

Red

Para configurar de red, siga las instrucciones siguientes:

1. Seleccione el puerto DMX que vaya a configurar según se indica en [Configuración del puerto DMX](#).
2. Utilice el mando para seleccionar **6. Network**.
3. Pulse el mando.
4. Use la perilla para seleccionar entre las opciones de rango (difiere según el disp type y las selecciones de protocolo):
 - **000–127**: Disp Type se establece como DEC & Protocol se establece como ArtNet.
 - **001–128**: Disp Type se establece como DEC & Protocol se establece como sACN.
 - **00H–7FH**: Disp Type se establece como HEX & Protocol se establece como ArtNet.
 - **01H–80H**: Disp Type se establece como HEX & Protocol se establece como sACN.
5. Pulse el mando.

Esto se implementa en muy pocas consolas y solo se aplica al protocolo ArtNet 4.

1st Universo

Establece el universo primario de entrada/salida. Al utilizar la fusión de señal HTP/LTP y operar en modo Salida, esto funcionará al unísono con la configuración del 2nd universo para fusionar datos de 2 direcciones IP diferentes.

1. Seleccione el puerto DMX que vaya a configurar según se indica en [Configuración del puerto DMX](#).
2. Utilice el mando para seleccionar **7. 1st Universe**.
3. Pulse el mando.
4. Use la perilla para seleccionar entre las opciones de rango (difiere según el disp type y las selecciones de protocolo):
 - **000–255**: Disp Type se establece como DEC & Protocol se establece como ArtNet.
 - **001–256**: Disp Type se establece como DEC & Protocol se establece como sACN.
 - **00H–7FH**: Disp Type se establece como HEX & Protocol se establece como ArtNet.
 - **01H–80H**: Disp Type se establece como HEX & Protocol se establece como sACN.
5. Pulse el mando.

2nd Universo

Establece el universo de salida secundario. Cuando se usa la fusión de señales HTP/LTP y se opera en modo Salida, esto funcionará al unísono con la configuración del 1st universo para fusionar los datos de 2 direcciones IP diferentes.

1. Seleccione el puerto DMX que vaya a configurar según se indica en [Configuración del puerto DMX](#).
2. Utilice el mando para seleccionar **8. 2nd Universe** (La opción solo se mostrará si el estado DMX está establecido en OUT y el modo DMX está configurado en HTP o LTP).
3. Pulse el mando.
4. Use la perilla para seleccionar entre las opciones de rango (difiere según el disp type y las selecciones de protocolo):
 - **000–255:** Disp Type se establece como DEC & Protocol se establece como ArtNet.
 - **001–256:** Disp Type se establece como DEC & Protocol se establece como sACN.
 - **00H–7FH:** Disp Type se establece como HEX & Protocol se establece como ArtNet.
 - **01H–80H:** Disp Type se establece como HEX & Protocol se establece como sACN.
5. Pulse el mando.

Resend 2 Net-U

El Net-X II puede transmitir el universo fusionado de las 2 configuraciones anteriores a la red. Se puede acceder a este nuevo universo combinado desde otro puerto de salida DMX en Net-X II o en otro dispositivo de la red (incluido un dispositivo de iluminación que acepte ArtNet/sACN). Esta configuración determina qué universo retransmitir a la red.

1. Seleccione el puerto DMX que vaya a configurar según se indica en [Configuración del puerto DMX](#).
2. Utilice el mando para seleccionar **8. 9. Resend 2 Net-U** (La opción solo se mostrará si el estado DMX está establecido en OUT y el modo DMX está configurado en HTP o LTP).
3. Pulse el mando.
4. Use la perilla para seleccionar entre las opciones de rango (difiere según el disp type y las selecciones de protocolo):
 - **000–255:** Disp Type se establece como DEC & Protocol se establece como ArtNet.
 - **001–256:** Disp Type se establece como DEC & Protocol se establece como sACN.
 - **00H–7FH:** Disp Type se establece como HEX & Protocol se establece como ArtNet.
 - **01H–80H:** Disp Type se establece como HEX & Protocol se establece como sACN.
5. Pulse el mando.

Si fusiona el mismo universo de 2 controladores diferentes, y NO desea retransmitir este universo a la red, configure el 1st universo, el 2nd universo y el universo Reenviar al mismo valor.

Retro-iluminación de la pantalla

Para ajustar la cantidad de tiempo después de la inactividad antes de que la retroiluminación de la pantalla se apague, siga las instrucciones que aparecen a continuación:

1. Utilice el mando para seleccionar **6. LCD Backlight**.
2. Pulse el mando.
3. Utilice el mando para seleccionar entre las opciones siguientes: **1. On** (no se apaga), **2. 10 segundos** (se apaga a los 10 segundos de inactividad), **3. 30 segundos** (se apaga a los 30 segundos de inactividad).
4. Pulse el mando.

Presets de Usuario

Esta opción guarda 4 configuraciones de opciones de menú con ajustes preestablecidos. Para configurar estos ajustes preestablecidos, siga las instrucciones siguientes.

1. Utilice el mando para seleccionar **7. User Presets**.
2. Pulse el mando.
3. Utilice el mando para seleccionar uno de los cuatro ajustes preestablecidos siguientes:
 - **1. Art-net a 8 puertos DMX** (configura los 8 puertos para recibir 8 universos ArtNet entre 0–7).
 - **2. sACM a 8 puertos DMX** (configura los 8 puertos para recibir 8 universos sACN entre 1–8).
 - **3. Separador 1x8 DMX** (configura el producto para funcionar como separador DMX con las 8 entradas recibiendo DMX desde la entrada A).
 - **4. Separador 2x4 DMX** (configura las salidas **1–4 al puerto de entrada A** y las **salidas 5–8 al puerto de entrada B**).
 - **5. Exit** (Cancelar).
4. Pulse el mando.

Restablece de fábrica

Para restaurar Net-X II a la configuración predeterminada de fábrica, haga lo siguiente:

1. Utilice el mando para seleccionar **8. Factory Reset**.
2. Pulse el mando.
3. Utilice el mando para seleccionar **NO** (no restablecer) o **YES** (SÍ: restablecer a la configuración de fábrica).
4. Pulse el mando.

Esto borrará cualquier escena grabada existente.

Grabar escenas

El Net-X II tiene capacidad para grabar hasta 10 escenas. Para grabar escenas, siga las instrucciones siguientes.

1. Utilice el mando para seleccionar **9. Record Scenes**.
2. Pulse el mando.
3. Utilice el mando para seleccionar **Scene 1–10**.
4. Pulse el mando.

Nombre de la escena

El Net-X II le permite personalizar el nombre de cada escena. Para dar nombre a una escena, haga lo siguiente:

1. Seleccione la escena que vaya a configurar según se indica en [Grabar escenas](#).
2. Utilice el mando para seleccionar **1. Name:Scene_1–10**.
3. Pulse el mando.
4. Utilice el mando para seleccionar la letra, número o símbolo, entre A-@. Hay 96 opciones.
5. Repita hasta haber configurado el nombre que desee.
6. Utilice el mando para seleccionar **Enter** y así guardar el nombre o **Cancel** (Cancelar) para salir sin guardar.
7. Pulse el mando.

Pasos de la escena

Esta función muestra la cantidad de pasos guardados en la escena. Para ver los pasos guardados anteriormente, siga las instrucciones siguientes.

1. Seleccione la escena que vaya a configurar según se indica en [Grabar escenas](#).
2. Utilice el mando para seleccionar **2. Step:(0/0)**.
3. Pulse el mando.
4. Gire el mando para recorrer cíclicamente por los pasos guardados.
5. Pulse el mando.

Añadir paso

Esta función añade un paso a la escena. Para añadir un paso a la escena, haga lo siguiente:

1. Seleccione la escena que vaya a configurar según se indica en [Grabar escenas](#).
2. Utilice el mando para seleccionar **Add Step**.
3. Pulse el mando.

Borrar paso

Esta función borra un paso de la escena. Para borrar un paso de la escena, siga las instrucciones siguientes.

1. Seleccione la escena que vaya a configurar según se indica en [Grabar escenas](#).
2. Utilice el mando para seleccionar **Delete Step**.
3. Pulse el mando.

Tiempos

Esta función establece los intervalos entre pasos, así como un efecto de fade si así se desea.

1. Seleccione la escena que vaya a configurar según se indica en [Grabar escenas](#).
2. Utilice el mando para seleccionar **5. Timing**.
3. Pulse el mando.
4. Utilice el mando para seleccionar:
 - **2. Fade In Time:0.10S—9M59S** (Tiempo de fade in: selecciona el tiempo de fade in).
 - Pulse el mando.
 - **3. Fade Out Time:0.10S—9M59S** (Tiempo de fade out: selecciona el tiempo de fade out).
 - Pulse el mando.
 - **4. Delay Time:0.10—9M59S** (Tiempo de retardo: selecciona el tiempo de retardo).
 - Pulse el mando.
 - **5. Exit** (Cancelar).
5. Seleccione **1. Save Step** opción de menú para guardar la configuración.

Configuración del disparador

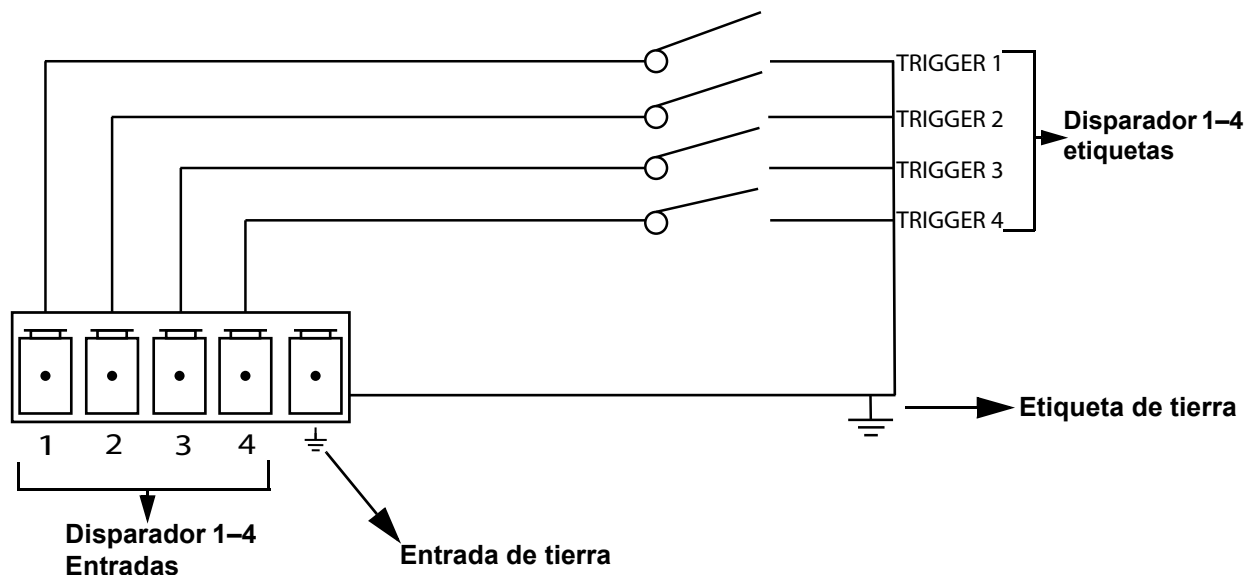
El Net-X II puede asignar un disparador a un conmutador externo para disparar una escena guardada. Cuando se activa el disparador, la información del disparador se mostrará en la pantalla con el nombre de la escena, la cantidad de pasos y el tiempo establecido para esa escena.

1. Utilice el mando para seleccionar **10. Trigger Settings**.
2. Pulse el mando.
3. Utilice el mando para seleccionar **Trigger 1–4**.
4. Pulse el mando.
5. Utilice el mando para seleccionar **Scene 1–10**.
6. Pulse el mando.

Diagrama de ajuste del disparador

El Net-X II puede configurar las escenas grabadas en un disparador usando el conector Phoenix de 5 cables en la parte posterior de la unidad. Se pueden conectar hasta 4 disparadores para una funcionalidad momentánea.

Será necesario un interruptor de enganche para operar indefinidamente.



Copia de seguridad

El Net-X II tiene un ajuste de copia de seguridad que permite guardar y cargar configuraciones en el producto.

1. Utilice el mando para seleccionar **11. Backup.**
2. Pulse el mando.
3. Utilice el mando para seleccionar **1. Save.**
4. Pulse el mando.
5. Utilice el mando para seleccionar **2. Load.**
6. Pulse el mando.
7. Utilice el mando para seleccionar **3. Exit** (Cancelar)
8. Pulse el mando.

Esto hará una copia de seguridad en la memoria interna, y NO incluye las escenas grabadas. El uso del método de copia de seguridad del servidor web será necesario para realizar una copia de seguridad en una fuente externa.

Versión de firmware

Esta función muestra la versión de firmware del producto.

1. Utilice el mando para seleccionar **12. Firmware Version.**
2. Esta versión de firmware se visualizará así: B1.0 V1.6.
3. Pulse el mando.

Salida

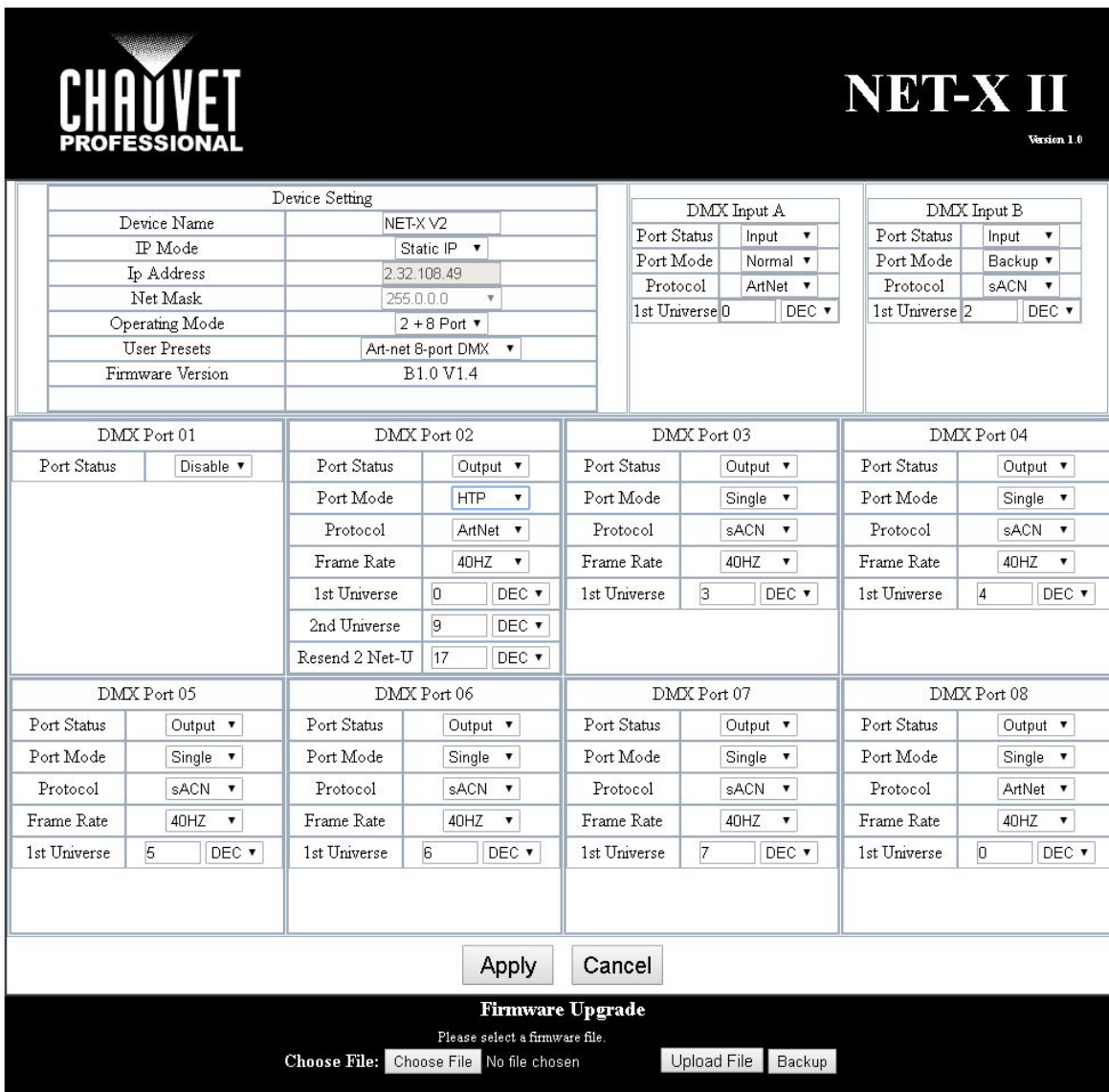
Esta función sale del menú de la pantalla principal.

1. Utilice el mando para seleccionar **13. Exit.**
2. Pulse el mando. El producto vuelve a la pantalla de inicio.

Servidor Web

Al servidor web del Net-X II puede acceder cualquier ordenador que se encuentre en la misma red que el producto. Permite acceso de red para información del sistema, ajustes como la configuración del control, copia de seguridad, prueba manual de todas las funciones y actualizaciones del firmware. Para acceder al navegador web:

1. Conecte el producto a un ordenador Windows con un cable de red.
2. Introduzca la dirección IP del producto en la barra de direcciones de un navegador web del ordenador y pulse **Enter**.



CHAUVET PROFESSIONAL **NET-X II**
Version 1.0

Device Setting		DMX Input A		DMX Input B	
Device Name	NET-X V2	Port Status	Input	Port Status	Input
IP Mode	Static IP	Port Mode	Normal	Port Mode	Backup
Ip Address	2.32.108.49	Protocol	ArtNet	Protocol	sACN
Net Mask	255.0.0.0	1st Universe	0 DEC	1st Universe	2 DEC
Operating Mode	2 + 8 Port				
User Presets	Art-net 8-port DMX				
Firmware Version	B1.0 V1.4				

DMX Port 01	DMX Port 02	DMX Port 03	DMX Port 04
Port Status: Disable	Port Status: Output	Port Status: Output	Port Status: Output
Port Mode: HTP	Port Mode: Single	Port Mode: Single	Port Mode: Single
Protocol: ArtNet	Protocol: sACN	Protocol: sACN	Protocol: sACN
Frame Rate: 40HZ	Frame Rate: 40HZ	Frame Rate: 40HZ	Frame Rate: 40HZ
1st Universe: 0 DEC	1st Universe: 3 DEC	1st Universe: 4 DEC	1st Universe: 4 DEC
2nd Universe: 9 DEC			
Resend 2 Net-U: 17 DEC			

DMX Port 05	DMX Port 06	DMX Port 07	DMX Port 08
Port Status: Output	Port Status: Output	Port Status: Output	Port Status: Output
Port Mode: Single	Port Mode: Single	Port Mode: Single	Port Mode: Single
Protocol: sACN	Protocol: sACN	Protocol: sACN	Protocol: ArtNet
Frame Rate: 40HZ	Frame Rate: 40HZ	Frame Rate: 40HZ	Frame Rate: 40HZ
1st Universe: 5 DEC	1st Universe: 6 DEC	1st Universe: 7 DEC	1st Universe: 0 DEC

Firmware Upgrade

Please select a firmware file.

No file chosen

Descripción general del servidor web

Device Setting	
Device Name	NET-X V2
IP Mode	Static IP
Ip Address	2.32.108.49
Net Mask	255.0.0.0
Operating Mode	2 + 8 Port
User Presets	Art-net 8-port DMX
Firmware Version	B1.0 V1.4

Seleccionar el nombre del dispositivo
 Seleccionar el Modo IP estático o manual
 Seleccionar el Modo IP
 Seleccionar la máscara de red
 Seleccionar el modo de funcionamiento
 Seleccionar los ajustes preestablecidos por el usuario
 Muestra el firmware

Descripción del puerto DMX - Puerto de Entrada

DMX Port 01	
Port Status	Input
Port Mode	Normal
Protocol	ArtNet
1st Universe	0 DEC

Selecciona el modo de puerto
 Selecciona Normal o Backup
 Selecciona el protocolo
 Selecciona DEC o HEX
 Selecciona el universo

Descripción del puerto DMX - Puerto de Salida

DMX Port 02	
Port Status	Output
Port Mode	HTP
Protocol	ArtNet
Frame Rate	40HZ
1st Universe	0 DEC
2nd Universe	9 DEC
Resend 2 Net-U	17 DEC

Selecciona el modo de puerto
 Selecciona HTP o LTP
 Selecciona el protocolo
 Tasa de marco
 Selecciona el 1st universo
 Selecciona DEC o HEX (1st universo)
 Selecciona DEC o HEX (2nd universo)
 Selecciona el 2nd universo
 Selecciona DEC o HEX (Resend)
 Selecciona el Resend universo

Estas opciones solo se mostrarán si el estado DMX está establecido en OUT y el modo DMX está configurado en HTP o LTP

Copia de seguridad/actualización del firmware

El Net-X II tiene un ajuste de copia de seguridad que permite guardar y cargar configuraciones en el producto desde el servidor web. El Net-X II dispone también de actualizaciones de firmware que permiten actualizar el producto al firmware más reciente. Para utilizar estas funciones, siga las instrucciones siguientes:

Haga clic aquí para seleccionar el archivo de firmware o copia de seguridad para subirlo.

Haga clic aquí para subir el archivo seleccionado

Haga clic aquí para hacer copia de seguridad del archivo seleccionado

Firmware Upgrade
Please select a firmware file.

Choose File: No file chosen

5. Información Técnica

Mantenimiento

Para mantener un rendimiento óptimo y minimizar el desgaste, debe limpiar este producto con frecuencia. El uso y el entorno pueden influir para de terminar la frecuencia de las limpiezas.

Como norma general, limpie este producto al menos dos veces al mes. El polvo acumulado reduce el rendimiento de la salida de luz y puede provocar sobrecalentamiento. Esto puede conducir a una reducción de la vida de la fuente de luz e incrementar el desgaste mecánico.

Para limpiar tu producto:

1. Desenchufe el producto de la alimentación.
2. Espere a que el producto esté a temperatura ambiente.
3. Use un aspirador (o aire seco comprimido) y un cepillo suave para quitar el polvo depositado en orificios de aireación externos.
4. Limpie todas las superficies exteriores con una solución suave de limpiador de cristales sin amoníaco o alcohol isopropílico.
5. Aplique la solución directamente sobre un paño suave que no deje pelusa o un paño de limpiar lentes.
6. Quite todo el polvo o suciedad de los bordes externos de la superficie de la lente.
7. Con cuidado, frote las superficies de la lente hasta que no quede turbiedad ni pelusas.



Seque siempre meticulosamente y con cuidado las superficies exteriores después de limpiarlas.

6. Especificaciones Técnicas

Dimensiones y Peso

LONGITUD	ANCHURA	ALTURA	PESO
19" (483 mm)	6,22" (158 mm)	1,73" (44 mm)	4,6 lb (2,1 kg)

Nota: Las dimensiones en pulgadas están redondeadas al dígito decimal más próximo.

Alimentación

TIPO DE FUENTE DE ALIMENTACIÓN	RANGO	SELECCIÓN DE TENSIÓN
Conmutación (interna)	100 a 240 VCA, 50/60 Hz	Detección automática (autorango)

PARÁMETRO	120 VCA, 60 Hz	208 VCA, 60 Hz	230 VCA, 50 Hz
Consumo	11 W	14 W	14 W
Intensidad	0,09 A	0,06 A	0,06 A

ALIMENTACIÓN E/S	EE.UU./CANADÁ	INTERNACIONAL
Conector de entrada de alimentación	Neutrik® powerCON® A	Neutrik® powerCON® A
Enchufe de cable de alimentación	Enchufe Edison (EE.UU.)	Enchufe local

Conexiones

ENTRADA	SALIDA/ENTRADA (ASIGNABLES)	TRAVESÍA
Neutrik® powerCON® (1 total)	5-pin XLR (8 total)	Neutrik® powerCON® (1 total)
5-pin XLR (2 total)		

Térmicas

TEMPERATURA EXTERNA MÁXIMA	SISTEMA DE REFRIGERACIÓN
104 °F (40 °C)	Convección

Pedidos

DESCRIPCIÓN DEL PRODUCTO	NOMBRE DEL PRODUCTO	CÓDIGO DE ARTÍCULO	NÚMERO UPC
Net-X II	NETXII	09111455	781462218034



RoHS



Devoluciones

Envíe el producto a portes pagados, en su caja original y con su embalaje y accesorios originales. Chauvet no expedirá etiquetas de devolución.

Llame a Chauvet y pida un número de autorización de devolución de la mercancía (RMA) antes de enviar el producto. Está preparado para proporcionar el número de modelo, número de serie y una breve descripción de la(s) causa(s) de la devolución.

Para enviar una solicitud de asistencia online, visite www.chauvetprofessional.com/service-request.

Etiquete el paquete claramente con un número de RMA. Chauvet rechazará cualquier producto devuelto sin un número de RMA.



Escriba el número de RMA en una etiqueta convenientemente adherida. NO escriba el número de RMA directamente sobre la caja.

Una vez tenga el número de RMA, facilite la siguiente información en una hoja de papel dentro de la caja:

- Su nombre
- Su dirección
- Su número de teléfono
- Número de RMA
- Una breve descripción del problema

Asegúrese de que empaqueta el producto adecuadamente. Cualquier daño en el transporte que resulte de un empaquetado inadecuado será responsabilidad suya. Se recomienda empaquetado FedEx o de doble caja.



Chauvet se reserva el derecho de usar su propio criterio para reparar o reemplazar productos devueltos.

Contacto

Oficina Central	
Información general	Servicio Técnico
Dirección: 5200 NW 108th Ave. Sunrise, FL 33351 Voz: (954) 577-4455 Fax: (954) 929-5560 Número gratuito: (800) 762-1084	Voz: (844) 393-7575 Fax: (954) 756-8015 Email: chauvetcs@chauvetlighting.com
Web	
www.chauvetprofessional.com	

EUROPE	
Información general	Servicio Técnico
Dirección: Stokstraat 18 9770 Kruishoutem Belgium Voz: +32 9 388 93 97	Email: eutech@chauvetlighting.eu
Web	
www.chauvetprofessional.eu	

Información general	Servicio Técnico
Dirección: Unit 1C Brookhill Road Industrial Estate Pinxton, Nottingham, UK NG16 6NT Voz: +44 (0) 1773 511115 Fax: +44 (0) 1773 511110	Email: uktech@chauvetlighting.com
Web	
www.chauvetprofessional.eu	

MEXICO	
Información general	Servicio Técnico
Dirección: Av. de las Partidas 34 - 3B, Zona Industrial Lerma (Entrance by Calle 2) Lerma, Edo. de México, CP 52000 Voz: +52 (728) 690-2010	Email: servicio@chauvet.com.mx
Web	
www.chauvetprofessional.mx	

Visite el sitio web correspondiente para verificar la información de contacto y las instrucciones para solicitar asistencia. Fuera de EE. UU., Reino Unido, Alemania, Francia, Irlanda, México o Benelux, póngase en contacto con su proveedor oficial.

Notes d'édition

Ce manuel d'utilisation comprends une description du Net-X II ainsi que des instructions sur la programmation, l'utilisation et la maintenance valides en date de publication de cette édition.

GARANTIE LIMITÉE

VEUILLEZ VISITER NOTRE SITE INTERNET POUR CONSULTER LES MODALITÉS D'ENREGISTREMENT DE LA GARANTIE ET LES CONDITIONS GÉNÉRALES COMPLÈTES.

Pour les clients aux États-Unis et au Mexique: www.chauvetlighting.com/warranty-registration.

Pour les clients du Royaume-Uni, de la République d'Irlande, de la Belgique, des Pays-Bas, du Luxembourg, de la France et de l'Allemagne: www.chauvetlighting.eu/warranty-registration.

Chauvet garantit que cet appareil est exempt de défauts de matériaux et de fabrication dans des conditions normales d'utilisation, pendant la période spécifiée dans la garantie limitée complète consultable sur notre site Internet et sous réserve des exclusions et limitations qui y sont énoncées. Cette garantie ne s'applique qu'à l'acheteur initial du produit et n'est pas transférable. Pour exercer les droits prévus par cette garantie, vous devez fournir une preuve d'achat sous la forme d'un reçu de vente original d'un revendeur autorisé qui indique le nom du produit et la date d'achat. IL N'EXISTE AUCUNE AUTRE GARANTIE EXPRESSE OU IMPLICITE. Cette garantie vous confère des droits légaux spécifique. Vous pouvez également bénéficier d'autres droits qui varient selon les états et les pays. Cette garantie n'est valable qu'aux États-Unis, au Royaume-Uni, en République d'Irlande, en Belgique, aux Pays-Bas, au Luxembourg, en France, en Allemagne et au Mexique. Pour connaître les conditions de garantie dans d'autres pays, veuillez consulter votre revendeur local.

Marques

CHAUVET, le logo Chauvet et Net-X II sont des marques déposées ou des marques de Chauvet & Son, LLC. (d/b/a Chauvet et Chauvet Lighting) aux États-Unis et dans d'autres pays. Les autres noms de produits et logos mentionnés dans le présent manuel peuvent être des marques commerciales de leurs sociétés respectives.

Avis de copyright

Les œuvres d'auteur contenues dans ce manuel, y compris, mais sans s'y limiter, l'ensemble des conceptions, des textes et des images sont la propriété de Chauvet.

© **Copyright 2018 Chauvet & Sons, LLC. Tous droits réservés.**

Publié électroniquement par Chauvet aux États-Unis.

Utilisation du manuel

Chauvet autorise ses clients à télécharger et à imprimer ce manuel uniquement à des fins d'information professionnelle. Chauvet interdit expressément l'utilisation, la copie, le stockage, la distribution, la modification ou l'impression de ce manuel ou de son contenu à d'autres fins sans son consentement écrit.

Impression du document

Pour obtenir les meilleurs résultats, imprimez ce document en couleur, sur du papier au format lettre (8,5 x 11 pouces), recto-verso. Si vous utilisez du papier A4 (210 x 297 mm), configurez votre imprimante afin que le contenu soit correctement mis à l'échelle.

Public visé

Toute personne en charge de l'installation, de l'utilisation et/ou de la maintenance de cet appareil doit lire le guide qui a été livré avec l'appareil ainsi que ce manuel dans leur intégralité avant toute installation, utilisation ou maintenance de l'appareil.

Clause de non Responsabilité

Chauvet estime que les informations contenues dans ce manuel sont exactes à tous les égards. Cependant, Chauvet n'assume aucune responsabilité et décline expressément toute responsabilité envers toute partie de toute perte, tout dommage ou tout dérangement qui aurait été causé par des erreurs ou des omissions dans ce document, que ces erreurs ou omissions résultent d'une négligence, d'un accident ou de toute autre cause. Chauvet se réserve le droit de réviser le contenu de ce document sans aucune obligation d'en notifier quelque personne ou société que ce soit. Cependant, Chauvet n'a ni d'obligation de réaliser de telles révisions, ni d'engagement à les réaliser.

Révision du document

Ceci est la révision 3 du Manuel d'utilisation du Net-X II avec la version de firmware 1.6. Veuillez consulter le site internet www.chauvetprofessional.com pour la dernière version.

1. Avant De Commencer

Contenu

- Net-X II
- Cordon d'alimentation Neutrik® powerCON®
- Manuel d'Utilisation

Réclamations

Dès la réception, veuillez ouvrir et vérifier avec soin l'emballage. Assurez-vous que vous avez reçu tous les éléments indiqués plus haut et qu'ils sont en bon état.




A la réception, si l'emballage ou le contenu (l'appareil et les accessoires livrés avec) semble avoir été endommagé pendant le transport, ou s'il présente des signes de manipulation sans précaution, veuillez en notifier immédiatement le transporteur et non pas Chauvet. Ne pas enregistrer votre réclamation auprès du transporteur en temps et en heure peut entraîner une invalidation de celle-ci. Gardez l'emballage et tous les matériaux d'emballage pour inspection.

Pour tout autre problème comme des pièces ou composants non livrés, des dommages indépendants de la livraison ou des vices cachés, veuillez déposer votre réclamation auprès de Chauvet dans les 7 jours suivant la réception de la marchandise.

Conventions manuelles

CONVENTION	SIGNIFICATION
1-512	Une plage de valeur dans le texte
50/60	Un ensemble de valeur mutuellement exclusives dans le texte
<SET>	Un bouton sur le panneau de commande de l'appareil
Settings	Une fonction de l'appareil ou une option de menu

Symboles

SYMBOLE	SIGNIFICATION
	Consignes importantes en matière d'installation, de configuration et de fonctionnement. Le non-respect de ces consignes peut entraîner le non fonctionnement de l'appareil, des dommages à des équipements tiers ou à l'opérateur.
	Consignes importantes en matière d'installation ou de configuration. Le non respect de ces consignes peut empêcher le bon fonctionnement de l'appareil.
	Information utile

Consignes de Sécurité

Veillez lire les consignes de sécurité qui suivent avant d'utiliser cet appareil. Ces consignes comprennent d'importantes informations en matière d'installation, d'utilisation et de maintenance de l'appareil.



Cet appareil ne contient aucune pièce réparable par l'utilisateur. Toute référence à des réparations dans ce manuel d'utilisation ne s'applique qu'à des techniciens certifiés ayant reçu une formation adéquate. Ne pas ouvrir le boîtier ou essayer d'effectuer des réparations.



Tous les codes et règlements locaux en vigueur doivent être respectés pour une installation correcte de cet appareil.

Sécurité des personnes

- Évitez tout contact visuel direct avec la source lumineuse quand cet appareil est en marche.
- Toujours débrancher l'appareil de la source d'alimentation avant de le nettoyer ou de remplacer le fusible.
- Toujours connecter l'appareil à un circuit à la terre pour éviter les risques d'électrocution.
- Ne touchez pas le boîtier de l'appareil lorsqu'il est en fonctionnement, celui-ci pouvant être très chaud.

Fixation

- Cet appareil doit uniquement être utilisé en intérieur! Afin d'éviter tout risque d'incendie ou de décharge électrique, veillez à n'exposer cet appareil ni à la pluie ni à l'humidité. (IP20)
- ATTENTION: Lorsque l'appareil est déplacé d'un environnement à température extrême à un autre (par exemple d'un camion froid vers une salle de bal chaude et humide), de la condensation peut se former sur les composants électriques internes. Pour éviter de causer des dommages, laissez l'appareil s'acclimater entièrement au milieu environnant avant de le mettre sous tension.
- Veillez à ce qu'il ne se trouve jamais à proximité de matériaux inflammables lorsqu'il est en fonctionnement.
- Ne transportez jamais l'appareil en le tenant par le cordon d'alimentation.

Alimentation et câblage

- Veillez à ce que le cordon d'alimentation ne soit jamais pincé ou endommagé.
- Assurez-vous de toujours brancher cet appareil sur la bonne tension comme indiqué dans les spécifications techniques de ce manuel ou sur l'étiquette des spécifications de l'appareil.
- Durant les périodes de non-utilisation, pour éviter toute usure inutile et pour prolonger la durée de vie, déconnectez entièrement l'appareil en le débranchant de l'alimentation électrique ou en coupant le disjoncteur.
- Ne connectez jamais cet appareil à un bloc de gradateurs ou à un rhéostat.
- Ne débranchez jamais cet appareil en tirant sur le cordon d'alimentation.

Utilisation

- Ne pas utiliser cet appareil si vous constatez que le boîtier ou des câbles ont subi des dommages. Faites remplacer les pièces endommagées dès que possible par un technicien agréé.
- Ne recouvrez pas les fentes de ventilation lors du fonctionnement pour éviter toute surchauffe interne.
- La température ambiante maximale est de 45 °C (113 °F). Ne faites pas fonctionner l'appareil à des températures plus élevées.
- En cas de problème de fonctionnement grave, arrêtez l'appareil immédiatement!



Si votre appareil Chauvet nécessite une réparation, veuillez contacter le support technique de Chauvet.

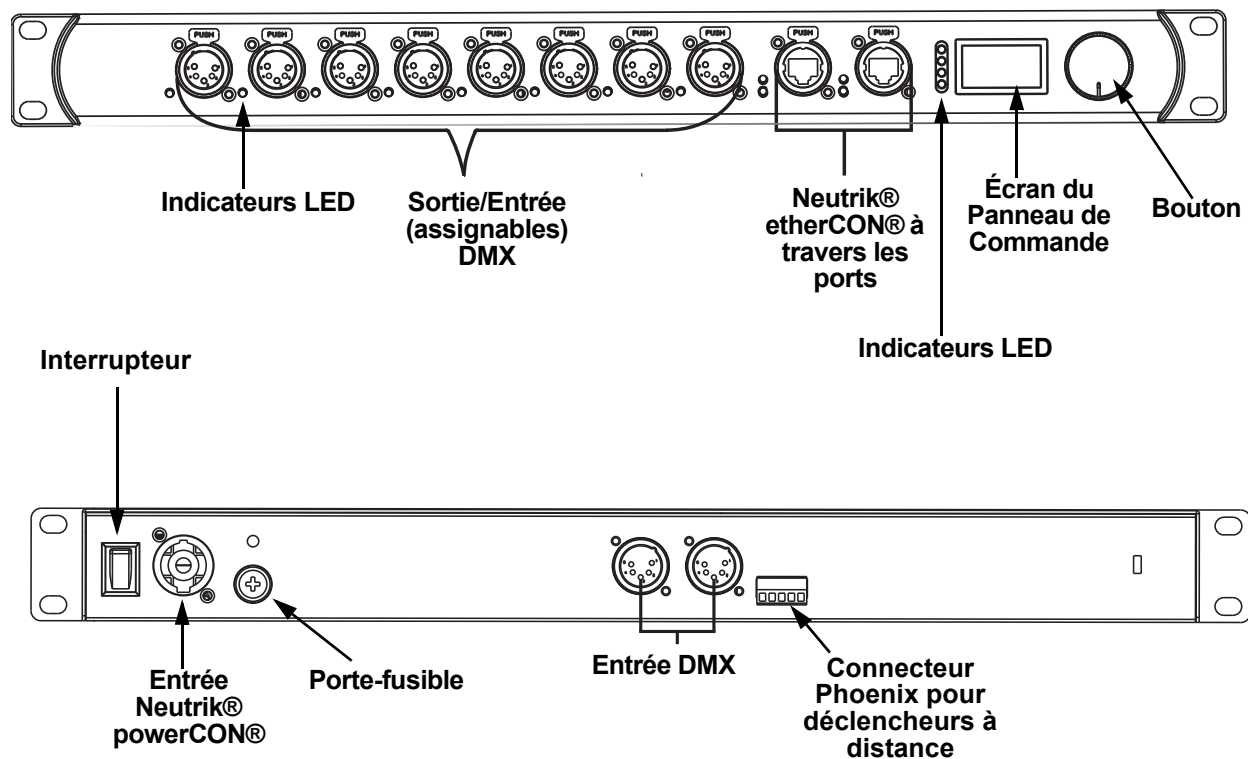
2. Introduction

Description

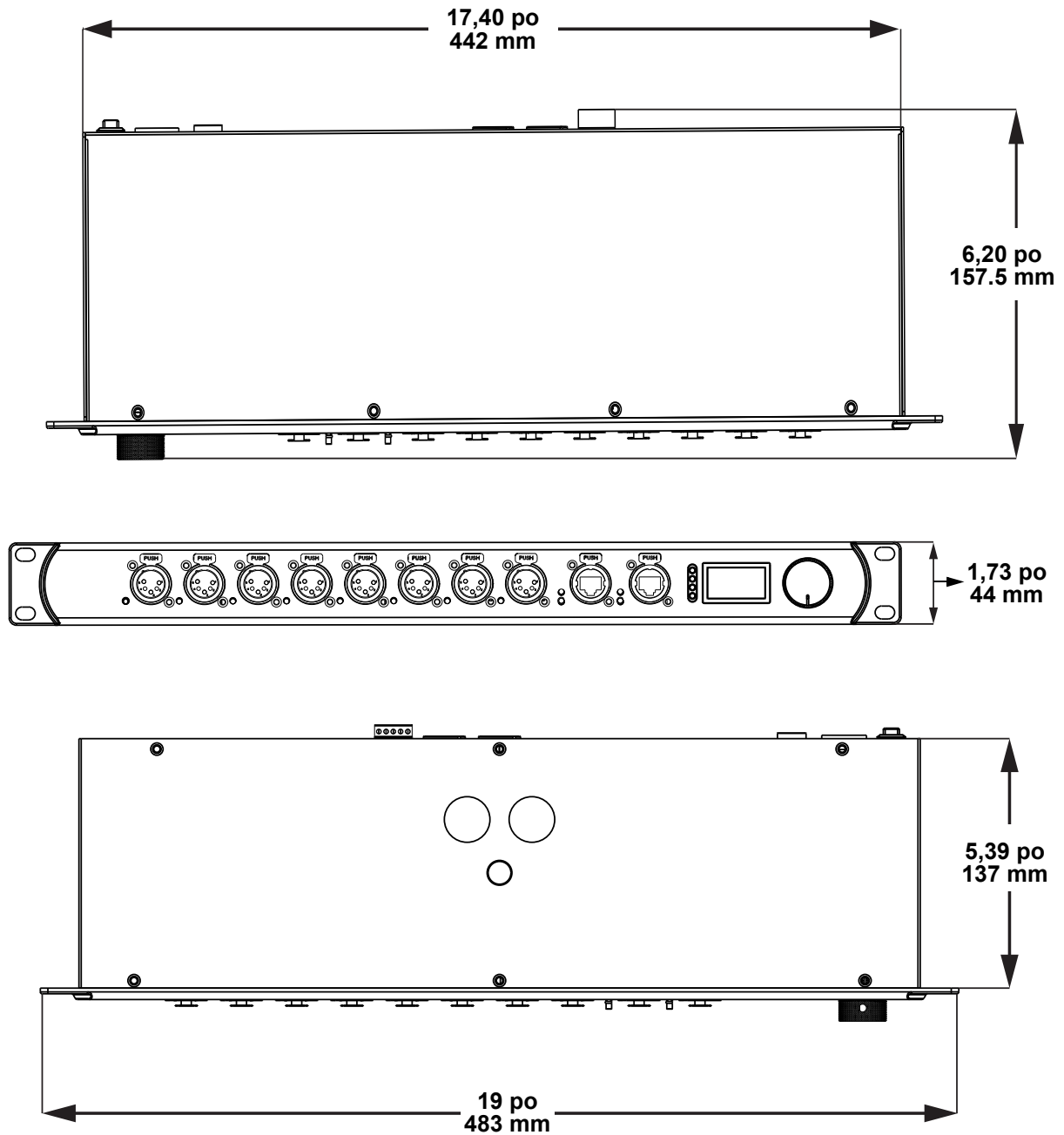
Le Net-X II est un adaptateur ethernet vers DMX montable en rack, fiable et multi-usages. Il est peut également être utilisé en tant que répartiteur DMX optique et concentrateur Art-Net™. Il dispose de deux ports d'entrée DMX à 5 broches et de huit ports de sortie DMX à 5 broches qui bénéficient tous d'une isolation optique. Il peut gérer jusqu'à 8 univers Art-Net™ ou sACN simultanément. Les huit ports de sortie DMX 5 broches peuvent être affectés à n'importe lequel des ports d'entrée DMX ou à l'un des univers Art-Net™ ou sACN. Les ports Neutrik® etherCON® sont des ports traversants qui permettent de chaîner plusieurs appareils Net-X II.

Le Net-X II fournit une infrastructure réseau fiable et hautement personnalisable pour les systèmes de contrôle complexes. Permet de fusionner deux contrôleurs dans le Net-X II par protocole DMX, Art-Net™ ou sACN en supportant à la fois les fonctions LTP (le dernier prend le dessus) et HTP (le plus élevé prend le dessus). La fonction d'enregistrement vous permet d'enregistrer les rendus d'un contrôleur et de les sauvegarder en mémoire. Il s'agit d'un serveur Web pris en charge pour la configuration à distance et la sauvegarde/mise à jour.

Vue d'ensemble de l'appareil



Dimensions de l'appareil



3. Configuration

Alimentation CA

Chaque panneau Net-X II est doté d'une alimentation universelle qui peut prendre en charge n'importe quelle tension d'entrée comprise entre 100 et 240 V CA, 50/60 Hz. Pour connaître les besoins en alimentation de chaque Net-X II, veuillez-vous référer à l'étiquette collée sur l'appareil. Vous pouvez également vous référer au tableau des [Spécificités Techniques](#) de ce manuel.

La capacité nominale affichée indique la consommation maximale de courant pendant le fonctionnement normal. Pour plus d'informations, vous pouvez télécharger le manuel "Sizing Circuit Breakers" (dimensionnement des disjoncteurs) sur le site internet de Chauvet à l'adresse: www.chauvetprofessional.com.



- **Cet appareil doit toujours être relié à un circuit protégé et correctement mis à la terre pour éviter tout risque d'électrocution ou d'incendie.**
- **Durant les périodes de non-utilisation, pour éviter toute usure inutile et pour prolonger la durée de vie, déconnectez entièrement l'appareil en le débranchant de l'alimentation électrique ou en coupant le disjoncteur.**



Ne connectez jamais cet appareil à un rhéostat (résistance variable) ou un circuit gradateur, même si vous n'avez l'intention de vous servir du rhéostat ou du canal d'assombrissement que comme interrupteur 0 à 100%.

CONNEXION	CÂBLE (USA)	CÂBLE (EUROPE)	COULEUR DE VIS
Phase CA	Noir	Marron	Jaune ou laiton
Neutre CA	Blanc	Bleu	Argent
Terre CA	Vert/Jaune	Vert/Jaune	Vert

Remplacement des Fusibles

Le Net-X II utilise un fusible T 250 mA 250 V accessible depuis l'arrière de l'appareil. Pour remplacer le fusible, effectuez les actions suivantes:

1. Débranchez l'appareil.
2. Avec un tournevis plat, dévissez le capuchon du porte-fusible du boîtier.
3. Retirez le fusible grillé.
4. Remplacez-le par un fusible de même type.
5. Remettez en place et vissez le capuchon du porte-fusible, puis rebranchez



- **Débranchez l'appareil avant de changer le fusible.**
- **Veillez à toujours remplacer un fusible grillé avec un fusible de même type et de même ampérage.**

Fixation

Le Net-X II se loge parfaitement dans un rack de 48cm (19 po) mais il peut également être installé sur une surface plane grâce à ses pieds en caoutchouc.

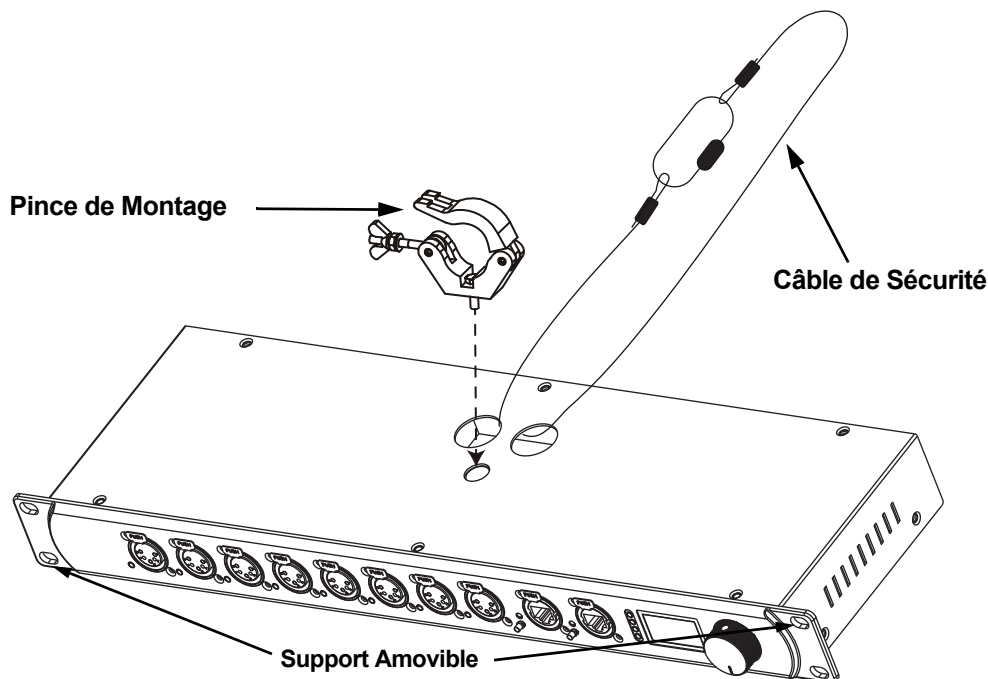
Orientation

Toujours monter ce produit dans un endroit sûr et s'assurer qu'il permette l'accès au menu et aux ports, et y a suffisamment d'espace pour la ventilation, la configuration et la maintenance. Le Net-X se loge parfaitement dans un rack 48 cm (19"), peut être suspendu verticalement ou à l'envers, ou être placé sur ses pieds en caoutchouc sur une surface plane.

Suivez les instructions suivantes lors du montage du Net-X:

- Lorsque vous choisissez un emplacement pour le montage, ayez toujours en tête l'accès facile à l'appareil pour l'utilisation, les réglages de programmation et l'entretien régulier.
- Assurez-vous de monter ce produit à l'écart de toute matière inflammable comme indiqué dans les [Consignes de Sécurité](#).
- Ne montez jamais l'appareil dans des endroits où la pluie, une humidité élevée, des changements de température extrêmes ou un manque de ventilation pourraient endommager l'appareil.
- Si vous suspendez cet appareil, assurez-vous que l'emplacement de montage peut supporter le poids de l'appareil. Veuillez consulter la section [Spécificités Techniques](#) pour les exigences en poids à supporter pour cet appareil.
- Lorsque vous suspendez cet appareil, veillez à toujours le fixer à un dispositif d'attache à l'aide d'un câble de sécurité (tel que le CH-05 de Chauvet).
- Laissez assez de mou sur les câbles pour éviter les tensions et de tirer sur les prises.

Schéma de Montage



Instructions pour l'Installation

Le Net-X II s'utilise au sein d'un système de contrôle pour faire fonctionner de nombreux appareils d'éclairage et multimédia. La construction physique et numérique du réseau de contrôle est déterminée par les besoins en emplacement et en signaux des appareils. Lors de la conception d'un système de contrôle qui utilise un appareil Net-X II, vous devez prendre en considération les instructions qui suivent.

- Vous devez placer le Net-X II afin que le menu et les ports soit accessibles.
- Vous devez placer les câbles de manière à ce qu'aucune tension ou traction ne soit exercée sur les câbles ou les prises.
- La planification d'un large système de contrôle doit être effectuée avec soin avant de procéder à la configuration des composants. Cela permet d'éviter des doublons dans les adresse IP, les adresses DMX et les autres identifiants.

Connexions du Signal

Le Net-X II peut recevoir un signal sur les 2 ports d'entrée DMX et sur l'un des 2 ports Neutrik® etherCON®. Il peut envoyer un signal à partir des 8 ports de sortie DMX et à partir de l'autre port Neutrik® etherCON®.

Connexion Art-Net™

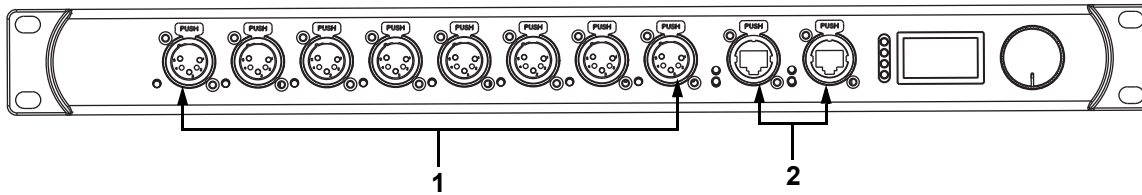
Art-Net™ est un protocole Ethernet par TCP/IP qui permet de transférer de grandes quantités de données DMX512 en utilisant une connexion etherCON® RJ45 sur un grand réseau. Une introduction au protocole Art-Net™ est disponible sur le site internet www.chauvetprofessional.com. Art-Net™ est conçu et protégé par droits d'auteur par Artistic Licence Holdings Ltd.

Connexion sACN

Également appelé ANSI E1.31, le streaming ACN est un protocole Ethernet qui utilise les couches et le formatage de l'Architecture for Control Networks pour transporter des données DMX512 par IP ou tout autre réseau compatible ACN.

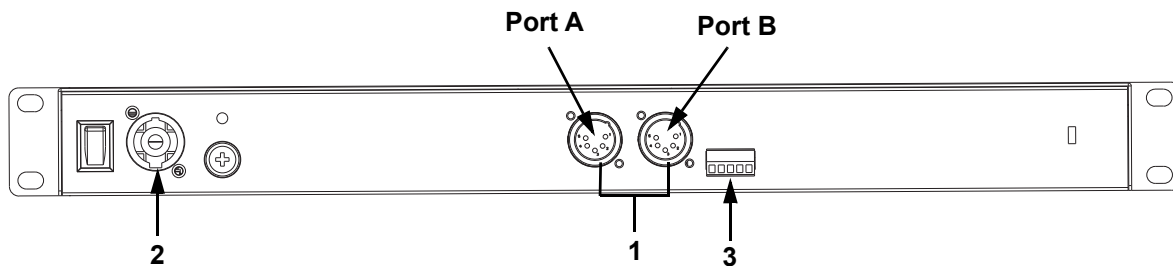
Schémas de connexions

Schéma des connexions en entrée



#	CONNEXION	OBJECTIF
1	Sortie/Entrée DMX	Recevoir ou envoyer des entrées / sorties DMX vers ou depuis des contrôleurs ou des produits. Vous pouvez recevoir DMX pour le convertir en Art-Net™ ou en sACN.
2	Art-Net™ Ethernet	Lien vers un réseau Art-Net™, des réseaux sACN et accès à un serveur web

Schéma des connexions en sortie



#	CONNEXION	OBJECTIF
1	Entrée DMX	Ports DMX A et B
2	Entrée Neutrik® powerCON®	Puissance d'entrée
3	Connecteur Phoenix	Connecteur Phoenix pour déclencheurs à distance



- Les ports Neutrik® etherCON® sont des ports traversants. Chaque port peut soit faire office de port d'entrée ou de port de sortie.
- Le connecteur Phoenix a quatre entrées (déclencheurs 1 à 4) et une borne de terre.

4. Fonctionnement

Utilisation du panneau de commande

La configuration du Net-X II s'effectue via la panneau de commande, utilisant le bouton de commande. Une fois le Net-X II correctement configuré, il fonctionne sans intervention de l'utilisateur.

Le Net-X II peut être utilisé en tant que répartiteur DMX, auquel cas les ports d'entrée DMX doivent être affectés aux ports de sortie/entrée DMX. Les paramètres d'adresse réseau, de sous-réseau et d'adresse IP ne nécessitent alors pas d'être configurés.

Le Net-X II peut être utilisé en tant que nœud Art-Net™, auquel cas les univers Art-Net™ doivent être affectés aux ports de sortie/entrée DMX. Les paramètres d'adresse réseau, de sous-réseau et d'adresse IP doivent être configurés.

Le Net-X II peut être utilisé en tant que nœud sACN, auquel cas les univers sACN doivent être affectés aux ports de sortie/entrée DMX. Les paramètres d'adresse réseau, de sous-réseau et d'adresse IP doivent être configurés.

Le Net-X II peut être utilisé à la fois comme un répartiteur DMX et un nœud soit Art-Net™ ou sACN, auquel cas les affectations DMX et les paramètres Art-Net™ ou sACN doivent être tous les deux configurés. Pour plus d'informations, veuillez consulter la section Exemples de configuration.

Le Net-X II peut être utilisé pour fusionner deux signaux DMX, Art-Net™ ou sACN en provenance de contrôleurs différents et les restituer sous la forme d'un seul signal en utilisant les fonctions LTP (le dernier prend le dessus) et HTP (le plus élevé prend le dessus). Sauvegarde des paramètres et configurations avec le même NET-X II ou avec d'autres. Support de serveur web pour la configuration et la sauvegarde/mise à jour à distance. Fusion de deux contrôleurs par DMX, Art-Net™ ou sACN. La fonction d'enregistrement vous permet d'enregistrer les rendus d'un contrôleur et de les sauvegarder en mémoire. Ceux-ci peuvent être déployés via les déclencheurs Phoenix.

Bouton de controle

Le Net-X II possède un bouton qui permet de faire défiler les options du menu. Appuyez sur le bouton pour faire une sélection.

Programmation

Reportez-vous au plan du menu pour prendre connaissance des options du menu. Le plan du menu affiche le niveau principal et un nombre variable de niveaux de programmation pour chaque option.

- Pour accéder au menu à partir de l'écran d'accueil, appuyez sur le bouton.
- Pour faire défiler les options de chaque niveau du menu, tournez la molette. Tournez-la dans le sens horaire pour faire défiler vers le bas et dans le sens antihoraire pour faire défiler vers le haut.
- Appuyez sur la molette pour sélectionner l'option en surbrillance. Cela vous amènera vers le prochain niveau de programmation pour cette option, ou bien cela mettra en surbrillance une valeur qui peut être modifiée.
- Pour augmenter une valeur numérique sélectionnée, tournez la molette dans le sens horaire. Pour diminuer une valeur numérique sélectionnée, tournez la molette dans le sens antihoraire.
- Appuyez sur **Exit/Cancel** pour retourner au niveau de menu principal précédent.
- Appuyez sur le bouton pendant 3 secondes pour revenir à l'écran d'accueil.

Plan du menu

NIVEAU PRINCIPAL	NIVEAUX DE PROGRAMMATION		DESCRIPTION
1. Custom Device Name	-----		Saisir un nom de périphérique personnalisé
		Cancel Enter	
2. Set IP Mode	1. Static IP	-----	Adresse par défaut - ne peut pas être modifiée
	2. Manual IP	-----	Permet de définir les adresses IP
		Cancel Enter	
	3. Exit		Permet de revenir à l'écran précédent
3. Set Netmask	A. 255.000.000.000		Permet de définir le masque de sous-réseau A
	B. 255.255.000.000		Permet de définir le masque de sous-réseau B
	C. 255.255.255.000		Permet de définir le masque de sous-réseau C
	Exit		Permet de revenir à l'écran précédent

NIVEAU PRINCIPAL	NIVEAUX DE PROGRAMMATION	DESCRIPTION
4. Operating Mode	1. 8 Port	Permet d'affecter chaque port en tant que sortie/entrée (supporte également le RDM via Ethernet)
	2. 2 + 8 Port	Prise en charge de la fusion DMX avec les deux entrées DMX (désactiver la fonction RDM)
	3. Exit	Permet de revenir à l'écran précédent
5. NetWork Timeout	1. Disabled	Désactive la fonctionnalité de délai d'attente
	2. 1 Seconds	Délai de 1 seconde pour arrêter de recevoir des commandes d'une console connectée au réseau
	3. 2 Seconds	Délai de 2 secondes pour arrêter de recevoir des commandes d'une console connectée au réseau
	4. 5 Seconds	Délai de 5 secondes pour arrêter de recevoir des commandes d'une console connectée au réseau
	5. Exit	Permet de revenir à l'écran précédent

NIVEAU PRINCIPAL	NIVEAUX DE PROGRAMMATION		DESCRIPTION	
6. Set DMX Port	DMX Ports 1–8 / DMX Input A–B (Les entrées A et B ne s'affichent que lorsque le mode de fonctionnement est réglé sur 2 + 8 ports)	1. Disp Type	HEX	Valeurs hexadécimales
			DEC	Valeurs décimales
		2. DMX Status	OUTPUT	Définit le port comme sortie
			INPUT	Configurez le port pour recevoir le DMX à partir d'un contrôleur pouvant être routé vers un autre port DMX
			DISABLE	Permet de désactiver le port de sortie
		3. DMX Mode	SINGLE (Etat de la sortie seulement)	Désactive la fusion du signal Ethernet
			LTP (Etat de la sortie seulement)	Permet de régler la fusion du signal Ethernet en mode Latest Takes Precedence
			HTP (Etat de la sortie seulement)	Permet de régler la fusion du signal Ethernet en mode Highest Takes Precedence
			NORMAL (Etat d'entrée uniquement)	Définit les ports d'entrée agissant en tant que contrôleur principal
		4. Protocol	ArtNet	Configurez la source d'entrée/sortie pour le port DMX comme Art-Net™
			sACN	Configurez la source d'entrée/sortie pour le port DMX comme sACN
		5. Framerte/fs	010–040	Définit le taux de vitesse pour les ports de sortie
		6. Network	00H–7FH (Hex) 000–128 (Dec)	Permet de définir les paramètres réseau
		7. 1st Universe	00H–FFH (Hex) 000–256 (Dec)	Définit l'univers d'entrée/sortie principal
8. 2nd Universe (Etat de sortie et mode HTP ou LTP uniquement)	00H–FFH (Hex) 000–256 (Dec)	Définit l'univers de sortie secondaire lors de l'utilisation du signal HTP/LTP en fusion avec le 1er univers		
9. Resend 2 Net-U (Etat de sortie et mode HTP ou LTP uniquement)	00H–FFH (Hex) 000–256 (Dec)	Détermine quel univers rediffuser sur le réseau (lors de l'utilisation du 1er et du 2ème univers)		
	10. Exit	Permet de revenir à l'écran précédent		
7. LCD Backlight	1. On	L'affichage reste allumé		
	2. 10 Seconds	L'affichage s'éteint après 10 secondes		
	3. 30 Seconds	L'affichage s'éteint après 30 secondes		
	4. Exit	Permet de revenir à l'écran précédent		

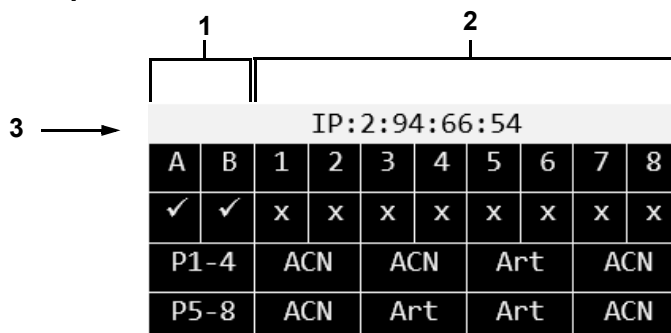
NIVEAU PRINCIPAL	NIVEAUX DE PROGRAMMATION		DESCRIPTION		
8. User Preset	1. Art-net 8-port DMX		Permet de configurer les 8 ports en réception de 8 univers ArtNet de 0–7		
	2. sACN to 8-port DMX		Permet de configurer les 8 ports en réception de 8 univers sACN de 1–8		
	3. 1x8 DMX Splitter		Permet de régler l'appareil afin qu'il fonctionne en tant que séparateur DMX avec les 8 sorties recevant des signaux DMX depuis l'entrée A		
	4. 2x4 DMX Splitter		Permet de régler les sorties 1 à 4 sur le port d'entrée A et les sorties 5 à 8 sur le port d'entrée B		
	5. Exit		Permet de revenir à l'écran précédent		
9. Factory Reset	NO		Réinitialisation aux paramètres par défaut d'usine		
	YES				
10. Record Scenes <1-10>	1. Name Scene	-----	Cancel Enter	Personnaliser le nom de scène	
	2. Step: (0/0)	000–100		Cette fonction permet d'afficher le nombre d'étapes sauvegardées dans la scène	
	3. Add Step			Cette fonction ajoute une étape à la scène	
	4. Delete Step	NO			Cette fonction permet de supprimer une étape de la scène
		YES			
	5. Timing	1. Save Step			Permet d'enregistrer un délais pour l'étape sélectionnée
		2. Fade In Time	0.10S–9M59S		permet de définir un délais d'entrée du fondu de 0,10s à 9min59s
3. Fade Out Time		0.10S–9M59S		permet de sélectionner un délai de sortie du fondu de 0,10s à 9min59s	
4. Delay Time		0.10S–9M59S		permet de définir un temps de retard de 0,10s à 9min59s	
6. Exit				Permet de revenir à l'écran précédent	
11. Trigger Settings	1. Trigger 1	Scene 1–10		Permet d'affecter le déclencheur 1 à l'une des 10 scènes	
	2. Trigger 2	Scene 1–10		Permet d'affecter le déclencheur 2 à l'une des 10 scènes	
	3. Trigger 3	Scene 1–10		Permet d'affecter le déclencheur 3 à l'une des 10 scènes	
	4. Trigger 4	Scene 1–10		Permet d'affecter le déclencheur 4 à l'une des 10 scènes	
	5. Exit				Permet de revenir à l'écran précédent
12. Backup	1. Save	Preset 1–10		Guarda y carga configuraciones; pulse el mando para confirmar y Exit (Salir) para cancelar	
	2. Load	Preset 1–10			
	3. Exit				Permet de revenir à l'écran précédent
13. Firmware Version	-----			Muestra el firmware	
14. Exit	Exit			Permet de revenir à l'écran précédent	

Configuration des paramètres de fonctionnement

Écran d'accueil

Le Net-X II dispose de 2 écrans d'accueil qui vous permettent d'afficher l'état actuel de chaque port. L'écran d'accueil s'affiche lorsque le menu n'est pas utilisé. Pour accéder au menu depuis l'écran d'accueil, appuyez sur le bouton. Pour revenir à l'écran d'accueil à partir du menu, sélectionnez **13. Exit** (quitter) et appuyez sur le bouton ou appuyez et maintenez le bouton de commande pendant 3 secondes (cela peut être fait à partir de n'importe quelle position dans la carte du menu).

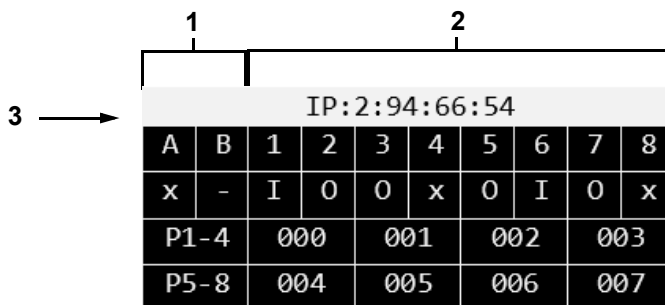
Écran d'accueil principal



#	SYMBOLE	DESCRIPTION
1	A-B	Ethernet dans / par les ports
	- ou x (état du port d'entrée A/B)	x est connecté - est déconnecté
	P1-4	label de l'univers des ports 1-4
	P5-8	label de l'univers des ports 5-8
2	1-8	numéro de port femelle à 5 broches 1-8
	✓ ou x (capteur de signal pour les ports)	✓ détecte un signal x aucun signal détecté
	Art, ACN, ou DMX (Art-Net™, sACN, ou DMX)	définit l'univers des ports de sortie ou d'entrée pour les sorties 1-4
	Art, ACN, ou DMX (Art-Net™, sACN, ou DMX)	définit l'univers des ports de sortie ou d'entrée pour les sorties 5-8
3	IP:	permet de définir les adresses IP

Écran d'accueil secondaire

Pour accéder à l'écran d'accueil secondaire, tournez le bouton lorsque vous voyez l'écran d'accueil principal.



#	SYMBOLE	DESCRIPTION
1	A-B	port d'entrée mâle à 5 broches A et B.
	- ou x (Etat des ports Ethernet)	x est connecté - est déconnecté
	P1-4	label de l'univers des ports 1-4
	P5-8	label de l'univers des ports 5-8
2	1-8	numéro de port femelle à 5 broches 1-8
	I, O, ou x (mode de port 1-8)	entrée (I) sortie (O) désactivé (x)
	000-256	définit l'univers des ports de sortie ou d'entrée pour les sorties 1-4
	000-256	définit l'univers des ports de sortie ou d'entrée pour les sorties 5-8
3	IP:	permet de définir les adresses IP

Nom personnalisé du périphérique

Pour attribuer un nom de périphérique personnalisé au Net-X II, procédez comme suit:

1. Utilisez le bouton pour sélectionner l'option **1. Custom Device Name** (nom de périphérique personnalisé).
2. Appuyez sur le bouton.
3. Si aucun nom n'a déjà été défini pour cet appareil, appuyez sur le bouton. Si un nom a déjà été défini pour cet appareil, utilisez le bouton pour sélectionner la lettre à modifier, puis appuyez sur le bouton.
4. Utilisez le bouton pour sélectionner une lettre, un chiffre ou un symbole de **A à @**. Il y a 63 choix.
5. Répétez l'opération jusqu'à ce que le nom soit défini comme souhaité.
6. Utilisez le bouton pour sélectionner **Enter** (Entrée) pour enregistrer le nom ou **Cancel** (Annuler) pour quitter sans sauvegarder.

Sélection du mode IP

Statique IP

Le Net-X II peut utiliser une adresse IP statique prédéfinie, ou être configuré manuellement. Pour régler le Net-X II sur une adresse IP statique prédéfinie, suivez les instructions ci-dessous:

1. Utilisez le bouton pour sélectionner l'option **2. Set IP Mode**.
2. Appuyez sur le bouton.
3. Utilisez le bouton pour sélectionner l'option **1. Static IP**.
4. Appuyez sur le bouton.

Manuel IP

Pour définir l'adresse IP manuellement, procédez comme suit:

1. Utilisez le bouton pour sélectionner l'option **2. Set IP Mode**.
2. Appuyez sur le bouton.
3. Utilisez le bouton pour sélectionner l'option **2. Manual IP**.
4. Appuyez sur le bouton.
5. L'adresse IP manuelle peut être réglée de **000.000.000.000 à 255.255.255.255** en utilisant le bouton pour faire défiler et sélectionner les nombres désirés de **000 à 255** pour chaque octet (ensemble de trois chiffres). Répétez cette action pour définir chacun des quatre octets.
6. Utilisez le bouton pour sélectionner **Enter** (Entrée) pour enregistrer l'adresse IP choisie ou **Cancel** (Annuler) pour quitter sans sauvegarder.

Configuration du masque réseau

Pour configurer le masque réseau, suivez les instructions ci-dessous:

1. Utilisez le bouton pour sélectionner l'option **3. Set Netmask**.
2. Appuyez sur le bouton.
3. Utilisez le bouton pour sélectionner l'une des options suivantes:
 - **A.255.000.000.000**
 - **B.255.255.000.000**
 - **C.255.255.255.000**
 - **Exit** (Annuler).

Mode de fonctionnement

Le Net-X II peut fonctionner comme un répartiteur/convertisseur, ou en tant que fusion DMX. Pour passer d'un mode à l'autre, procédez comme suit:

1. Utilisez le bouton pour sélectionner l'option **4. Operating Mode**.
2. Appuyez sur le bouton.
3. Utilisez le bouton pour sélectionner **1. 8 ports** (utilisé pour activer la prise en charge de RDM sur Ethernet pour le transport de RDM vers / depuis des appareils d'éclairage via DMX à 5 broches vers un contrôleur d'éclairage via Ethernet, par ex. Art-Net™, Art-RDM) ou **2. 2 + 8 ports** (requis pour le mode répartiteur DMX via les 2 ports DMX mâles situés à l'arrière du NET-X II; désactive toutes les fonctionnalités de RDM; ajoute les entrées DMX A et B sous l'option de menu Set DMX Port).
4. Appuyez sur le bouton.
5. **3. Exit** (Annuler).

Délai d'expiration du réseau

Le délai d'attente du réseau définit le délai nécessaire à Net-X II pour ne plus recevoir de commandes d'une console connectée au réseau. Cela ne peut être appliqué qu'aux modes de fusion HTP / LTP DMX et aux protocoles Art-Net™ ou sACN.

1. Utilisez le bouton pour sélectionner l'option **5. NetWork Timeout**.
2. Appuyez sur le bouton.
3. Utilisez le bouton pour sélectionner **1. Disabled, 2. 1 Seconds, 3. 2 Seconds, ou 4. 5 Seconds**.
4. Appuyez sur le bouton.
5. **5. Exit** (Annuler).

Si Disabled, le Net-X II restera verrouillé dans le contrôleur d'éclairage réseau même si le contrôleur arrête d'envoyer des données.

Paramètres de port DMX

Le Net-X II dispose de 8 ports DMX qui peuvent être configurés en tant que sorties ou entrées. Pour sélectionner un port DMX à configurer, suivez les instructions ci-dessous:

1. Utilisez le bouton pour sélectionner l'option **6. Set DMX Port**.
2. Appuyez sur le bouton.
3. Utilisez le bouton pour sélectionner le port DMX souhaité, à partir du port **DMX 1–8 / DMX Input A – B** (les entrées DMX ne s'afficheront que si le mode de fonctionnement est réglé sur 2 + 8 ports) ou **Exit** (pour annuler).
4. Appuyez sur le bouton.

Type d'affichage

Le type d'affichage détermine si l'univers du port sélectionné s'affiche sous forme de valeurs décimales ou hexadécimales. Le type d'affichage modifie les options de menu pour les plages réseau et univers.

1. Sélectionnez le port DMX à configurer comme indiqué dans Set DMX Port ([Paramètres de port DMX](#)).
2. Utilisez le bouton pour sélectionner l'option **1. Disp Type**.
3. Appuyez sur le bouton.
4. Utilisez le bouton pour sélectionner soit **DEC** (décimal) ou **HEX** (hexadécimal).
5. Appuyez sur le bouton.

Statut DMX

Le statut DMX détermine si le port sélectionné fonctionne comme une entrée, une sortie ou est désactivé. L'état sélectionné modifiera les options de menu pour le mode DMX et la fusion d'univers.

1. Sélectionnez le port DMX à configurer comme indiqué dans Set DMX Port ([Paramètres de port DMX](#)).
2. Utilisez le bouton pour sélectionner l'option **2. DMX Status**.
3. Appuyez sur le bouton.
4. Utilisez le bouton pour sélectionner fonctionne comme une **1. DISABLE**, **2. OUTPUT**, ou **3. INPUT**.
5. Appuyez sur le bouton.

Mode DMX

Le Net-X II est capable de fusionner deux signaux du même protocole en un seul, en utilisant la logique HTP (Highest Takes Precedence), ou LTP (Latest Takes Precedence). Lorsque l'état DMX est défini sur Entrée, Normal et Sauvegarde doivent être définis sur le même univers de sortie.

1. Sélectionnez le port DMX à configurer comme indiqué dans Set DMX Port ([Paramètres de port DMX](#)).
2. Utilisez le bouton pour sélectionner l'option **3. DMX Mode**.
3. Appuyez sur le bouton.
4. Utilisez le bouton pour sélectionner le mode désiré soit:
 - **OFF** (Etat de sortie uniquement) - Pour désactiver le mode.
 - **HTP** (Etat de sortie uniquement) - Highest Takes Precedence / La plus haute priorité.
 - **LTP** (Etat de sortie uniquement) - Latest Takes Precedence / Last prend la priorité.
 - **NORMAL** (Etat d'entrée uniquement) - Le port d'entrée agit en tant que contrôleur principal.
 - **BACKUP** (Etat d'entrée uniquement) - Le port d'entrée sert de contrôleur de sauvegarde. le Net-X II ne commencera PAS à accepter les modifications du port de sauvegarde tant que le port normal avec la même attribution d'Univers n'interrompt pas la diffusion du signal de contrôle.
5. Appuyez sur le bouton.

Protocole

Définissez le protocole sur Art-Net™ ou sACN.

1. Sélectionnez le port DMX à configurer comme indiqué dans Set DMX Port ([Paramètres de port DMX](#)).
2. Utilisez le bouton pour sélectionner l'option **4. Protocol**.
3. Appuyez sur le bouton.
4. Utilisez le bouton pour sélectionner le mode désiré soit **ArtNet** ou **sACN**.
5. Appuyez sur le bouton.

Framerte/fs

La valeur, en millisecondes (ms), est la vitesse à laquelle les paquets DMX sont envoyés depuis les 8 ports DMX. Cela ne s'applique que lorsque les ports sont définis sur Sortie.

1. Sélectionnez le port DMX à configurer comme indiqué dans Set DMX Port ([Paramètres de port DMX](#)).
2. Utilisez le bouton pour sélectionner l'option **5. Framerte/fs**.
3. Appuyez sur le bouton.
4. Utilisez le bouton pour définir le taux de trame à partir de **010–040**.
5. Appuyez sur le bouton.

Ceci est important pour les appareils qui ne peuvent pas recevoir le DMX haute vitesse.

Réseau

Pour configurer le masque réseau, suivez les instructions ci-dessous:

1. Sélectionnez le port DMX à configurer comme indiqué dans Set DMX Port ([Paramètres de port DMX](#)).
2. Utilisez le bouton pour sélectionner l'option **6. Network**.
3. Appuyez sur le bouton.
4. Utilisez le bouton pour sélectionner l'option:
 - **000-127**: Lorsque Disp Type est défini sur DEC & Protocole est défini sur ArtNet.
 - **001-128**: Lorsque Disp Type est défini sur DEC & Protocole est défini sur sACN.
 - **00H-7FH**: Lorsque Disp Type est défini sur HEX& Protocole est défini sur ArtNet.
 - **01H-80H**: Lorsque Disp Type est défini sur HEX& Protocole est défini sur sACN.
5. Appuyez sur le bouton.

Ceci est implémenté dans très peu de consoles et s'applique uniquement au protocole ArtNet 4.

1st Univers

Définit l'univers d'entrée / sortie principal. Lorsque vous utilisez la fusion de signaux HTP / LTP et que vous opérez en mode Sortie, cela fonctionnera à l'unisson avec le paramètre 2ème univers pour fusionner les données provenant de 2 adresses IP différentes.

1. Sélectionnez le port DMX à configurer comme indiqué dans Set DMX Port ([Paramètres de port DMX](#)).
2. Utilisez le bouton pour sélectionner l'option **7. 1st Universe**.
3. Appuyez sur le bouton.
4. Utilisez le bouton pour sélectionner l'option:
 - **000-255**: Lorsque Disp Type est défini sur DEC & Protocole est défini sur ArtNet.
 - **001-256**: Lorsque Disp Type est défini sur DEC & Protocole est défini sur sACN.
 - **00H-7FH**: Lorsque Disp Type est défini sur HEX& Protocole est défini sur ArtNet.
 - **01H-80H**: Lorsque Disp Type est défini sur HEX& Protocole est défini sur sACN.
5. Appuyez sur le bouton.

2nd Univers

Définit l'univers de sortie secondaire. Lorsque vous utilisez la fusion de signaux HTP / LTP et que vous opérez en mode Sortie, cela fonctionnera à l'unisson avec le paramètre 1er univers pour fusionner les données provenant de 2 adresses IP différentes.

1. Sélectionnez le port DMX à configurer comme indiqué dans Set DMX Port ([Paramètres de port DMX](#)).
2. Utilisez le bouton pour sélectionner l'option **8. 2nd Universe** (l'option affichera uniquement si le statut DMX est défini sur OUTPUT et que le mode DMX est défini sur HTP ou LTP).
3. Appuyez sur le bouton.
4. Utilisez le bouton pour sélectionner l'option:
 - **000-255**: Lorsque Disp Type est défini sur DEC & Protocole est défini sur ArtNet.
 - **001-256**: Lorsque Disp Type est défini sur DEC & Protocole est défini sur sACN.
 - **00H-7FH**: Lorsque Disp Type est défini sur HEX& Protocole est défini sur ArtNet.
 - **01H-80H**: Lorsque Disp Type est défini sur HEX& Protocole est défini sur sACN.
5. Appuyez sur le bouton.

Renvoyer 2 Net-U

Net-X II peut diffuser l'univers fusionné des 2 paramètres ci-dessus sur le réseau. Ce nouvel univers fusionné est accessible depuis un autre port de sortie DMX sur le Net-X II ou sur un autre périphérique du réseau (y compris un luminaire acceptant ArtNet / sACN). Ce paramètre détermine quel univers rediffuser sur le réseau.

1. Sélectionnez le port DMX à configurer comme indiqué dans Set DMX Port ([Paramètres de port DMX](#)).
2. Utilisez le bouton pour sélectionner l'option **9. Resend 2 Net-U** (l'option affichera uniquement si le statut DMX est défini sur OUTPUT et que le mode DMX est défini sur HTP ou LTP).
3. Appuyez sur le bouton.
4. Utilisez le bouton pour sélectionner l'option:
 - **000–255**: Lorsque Disp Type est défini sur DEC & Protocole est défini sur ArtNet.
 - **001–256**: Lorsque Disp Type est défini sur DEC & Protocole est défini sur sACN.
 - **00H–7FH**: Lorsque Disp Type est défini sur HEX & Protocole est défini sur ArtNet.
 - **01H–80H**: Lorsque Disp Type est défini sur HEX & Protocole est défini sur sACN.
5. Appuyez sur le bouton.

Si vous fusionnez le même univers à partir de 2 contrôleurs différents et que vous ne souhaitez PAS rediffuser cet univers vers le réseau, définissez le 1er univers, le 2ème univers et l'univers de renvoi sur la même valeur.

Rétro-éclairage de l'écran

Pour ajuster la durée après l'inactivité avant que le rétroéclairage de l'écran s'éteigne, suivez les instructions ci-dessous:

1. Utilisez le bouton pour sélectionner l'option **6. LCD Backlight**.
2. Appuyez sur le bouton.
3. Utilisez le bouton pour sélectionner parmi les options suivantes: **1. On** (ne s'éteint jamais), **2. 10 Seconds** (désactivation après 10 secondes d'inactivité), **3. 30 Seconds** (désactivation après 30 secondes d'inactivité), ou **4. Exit** (Annuler).
4. Appuyez sur le bouton.

Préréglages utilisateur

Cette option permet d'enregistrer 4 différentes configurations d'options de menu prédéfinies. Pour configurer ces préréglages, suivez les instructions ci-dessous.

1. Utilisez le bouton pour sélectionner l'option **7. User Preset**.
2. Appuyez sur le bouton.
3. Utilisez le bouton pour sélectionner l'un des quatre préréglages suivants:
 - **1. Art-net 8-port DMX** (réglage des 8 ports pour recevoir 8 univers ArtNet de 0 à 7).
 - **2. sACN to 8-port DMX** (réglage des 8 ports pour recevoir 8 univers sACN de 1 à 8).
 - **3. 1x8 DMX Splitter** (réglage de l'appareil pour fonctionner en tant que répartiteur DMX avec les 8 sorties recevant en DMX depuis l'entrée A).
 - **4. 2x4 DMX Splitter** (réglage des sorties 1 à 4 sur le port d'entrée A et des sorties 5 à 8 sur le port d'entrée B).
 - **5. Exit** (Annuler).
4. Appuyez sur le bouton.

Réinitialisation d'usine

Pour restaurer les paramètres d'usine par défaut de Net-X II, procédez comme suit:

1. Utilisez le bouton pour sélectionner l'option **8. Factory Reset**.
2. Appuyez sur le bouton.
3. Appuyez sur le bouton pour sélectionner **NO** (non: ne pas réinitialiser) ou **YES** (oui: rétablir les réglages d'usine).
4. Appuyez sur le bouton.

Cela effacera toutes scènes enregistrées existantes.

Enregistrement des scènes

Le Net-X II peut enregistrer jusqu'à 10 scènes. Pour enregistrer des scènes, suivez les instructions ci-dessous.

1. Utilisez le bouton pour sélectionner l'option **9. Record Scenes**.
2. Appuyez sur le bouton.
3. Utilisez le bouton pour sélectionner l'option **Scene 1–10**.
4. Appuyez sur le bouton.

Nom de la scène

Le Net-X II vous permet de personnaliser le nom de chaque scène. Pour nommer une scène, procédez comme suit:

1. Sélectionnez la scène à configurer comme indiqué dans la section [Enregistrement des scènes](#).
2. Utilisez le bouton pour sélectionner l'option **1. Name:Scene_1-10**.
3. Appuyez sur le bouton.
4. Utilisez le bouton pour sélectionner une lettre, un chiffre ou un symbole de **A à @**. Il y a 96 choix.
5. Répéter l'opération jusqu'à ce que le nom soit défini comme souhaité.
6. Utilisez le bouton pour sélectionner soit **Enter** (Entrée) pour enregistrer le nom ou **Cancel** (Annuler) pour quitter sans sauvegarder.
7. Appuyez sur le bouton.

Étapes de scène

Cette fonction permet d'afficher le nombre d'étapes sauvegardées dans la scène. Pour visualiser les étapes précédemment sauvegardées, suivez les instructions ci-dessous.

1. Sélectionnez la scène à configurer comme indiqué dans la section [Enregistrement des scènes](#).
2. Utilisez le bouton pour sélectionner l'option **2. Step:(0/0)**.
3. Appuyez sur le bouton.
4. Tournez le bouton pour faire défiler les étapes enregistrées.

Ajout d'une étape

Cette fonction ajoute une étape à la scène. Pour ajouter une étape à la scène, procédez comme suit:

1. Sélectionnez la scène à configurer comme indiqué dans la section [Enregistrement des scènes](#).
2. Utilisez le bouton pour sélectionner l'option **Add Step**.
3. Appuyez sur le bouton.

Suppression d'une scène

Cette fonction permet de supprimer une étape de la scène. Pour supprimer une étape de la scène, suivez les instructions ci-dessous.

1. Sélectionnez la scène à configurer comme indiqué dans la section [Enregistrement des scènes](#).
2. Utilisez le bouton pour sélectionner l'option **Delete Step**.
3. Appuyez sur le bouton.

Cadencement

Cette fonction permet de définir les intervalles entre les étapes, ainsi qu'un effet de fondu si nécessaire.

1. Sélectionnez la scène à configurer comme indiqué dans la section [Enregistrement des scènes](#).
2. Utilisez le bouton pour sélectionner l'option **5. Timing**.
3. Appuyez sur le bouton.
4. Appuyez sur le bouton pour sélectionner parmi:
 - **2. Fade In Time: 0,10S-9M59S** (permet de définir un délais d'entrée du fondu de 0,10s à 9min59s).
 - Appuyez sur le bouton.
 - **3. Fade Out Time:0.10S-9M59S** (permet de sélectionner un délai de sortie du fondu de 0,10s à 9min59s).
 - Appuyez sur le bouton.
 - **4. Delay Time:0.10-9M59S** (permet de définir un temps de retard de 0,10s à 9min59s).
 - Appuyez sur le bouton.
 - **5. Exit** (pour annuler).
5. Sélectionnez **1. Save Step** pour enregistrer la configuration.

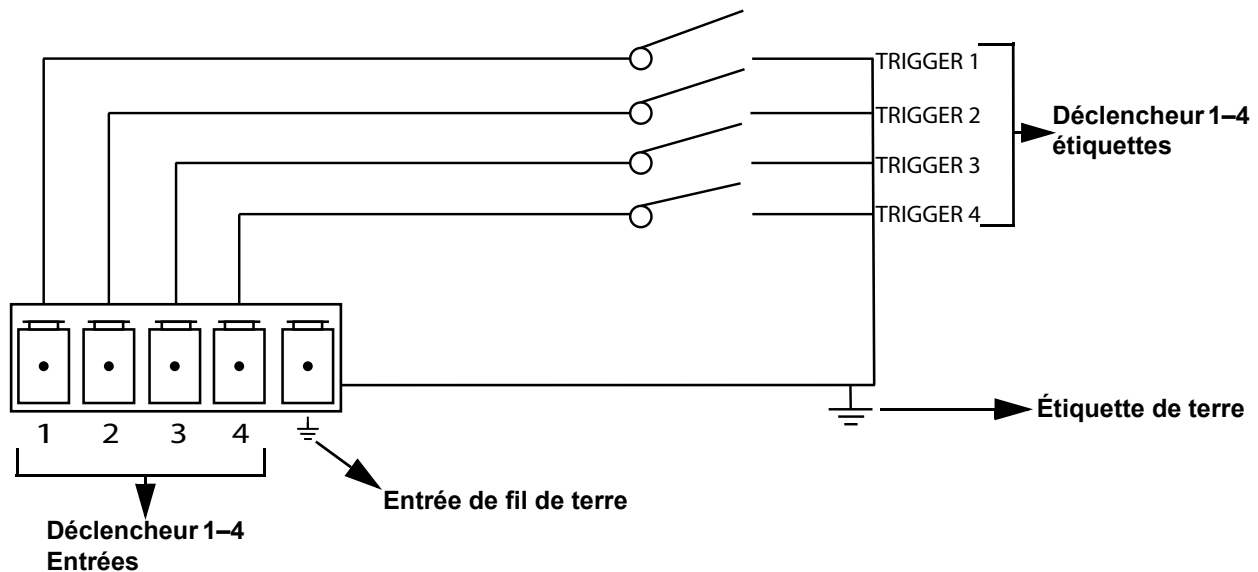
Paramètres de déclenchement

Le Net-X II peut assigner un déclencheur à un commutateur externe pour déclencher une scène sauvegardée. Lorsque le déclencheur est activé, les informations de déclenchement s'affichent à l'écran avec le nom de la scène, le nombre de pas et la durée définie pour cette scène.

1. Utilisez le bouton pour sélectionner l'option **10. Trigger Settings**.
2. Appuyez sur le bouton.
3. Utilisez le bouton pour sélectionner l'option **Trigger 1-4**.
4. Appuyez sur le bouton.
5. Utilisez le bouton pour sélectionner l'option **Scene 1-10**.
6. Appuyez sur le bouton.

Diagramme des paramètres de déclenchement

Le Net-X II peut définir des scènes sauvegardées sur un déclencheur à l'aide du connecteur Phoenix à 5 fils situé à l'arrière de l'appareil. Jusqu'à 4 déclencheurs peuvent être connectés pour une fonctionnalité momentanée.



Sauvegarde

Le Net-X II dispose d'un paramètre de sauvegarde qui permet au produit d'enregistrer et de charger les configurations.

1. Utilisez le bouton pour sélectionner l'option **11. Backup.**
2. Appuyez sur le bouton.
3. Utilisez le bouton pour sélectionner l'option **1. Save.**
4. Appuyez sur le bouton.
5. Utilisez le bouton pour sélectionner l'option **2. Load.**
6. Appuyez sur le bouton.
7. Utilisez le bouton pour sélectionner l'option **3. Exit** (pour annuler)
8. Appuyez sur le bouton.

Cela sauvegardera dans la mémoire interne et n'inclut PAS les scènes enregistrées. L'utilisation de la méthode de sauvegarde du serveur Web sera nécessaire pour effectuer une sauvegarde sur une source externe.

Mise à jour du microprogramme

Cette fonction permet d'afficher la version du microprogramme de l'appareil.

1. Utilisez le bouton pour sélectionner l'option **12. Firmware Version.**
2. La version du microprogramme s'affiche: **B1.0 V1.6.**
3. Cette fonction permet de quitter le menu pour revenir à l'écran principal.

Annuler

Cette fonction permet de quitter le menu pour revenir à l'écran principal.

1. Utilisez le bouton pour sélectionner l'option **13. Exit.**
2. Appuyez sur le bouton. L'appareil revient à l'écran d'accueil.

Serveur Web

Le serveur Web du Net-X II est accessible par n'importe quel ordinateur sur le même réseau que l'appareil. Il permet un accès par réseau aux informations système, aux paramètres tels que la configuration du contrôle, à la sauvegarde, aux tests manuels de toutes les fonctions et aux mises à jour du microprogramme. Pour accéder au navigateur internet:

1. Connectez l'appareil à un ordinateur Windows avec un câble réseau.
2. Entrez l'adresse IP de l'appareil dans la barre URL d'un navigateur Internet sur l'ordinateur et appuyez sur Entrée.

NET-X II

Version 1.0

Device Setting		DMX Input A		DMX Input B	
Device Name	NET-X V2	Port Status	Input ▼	Port Status	Input ▼
IP Mode	Static IP ▼	Port Mode	Normal ▼	Port Mode	Backup ▼
Ip Address	2.32.108.49	Protocol	ArtNet ▼	Protocol	sACN ▼
Net Mask	255.0.0.0 ▼	1st Universe	0 DEC ▼	1st Universe	2 DEC ▼
Operating Mode	2 + 8 Port ▼				
User Presets	Art-net 8-port DMX ▼				
Firmware Version	B.1.0 V1.4				

DMX Port 01	DMX Port 02	DMX Port 03	DMX Port 04
Port Status: Disable ▼	Port Status: Output ▼	Port Status: Output ▼	Port Status: Output ▼
Port Mode: HTP ▼	Port Mode: Single ▼	Port Mode: Single ▼	Port Mode: Single ▼
Protocol: ArtNet ▼	Protocol: sACN ▼	Protocol: sACN ▼	Protocol: sACN ▼
Frame Rate: 40HZ ▼	Frame Rate: 40HZ ▼	Frame Rate: 40HZ ▼	Frame Rate: 40HZ ▼
1st Universe: 0 DEC ▼	1st Universe: 3 DEC ▼	1st Universe: 3 DEC ▼	1st Universe: 4 DEC ▼
2nd Universe: 9 DEC ▼			
Resend 2 Net-U: 17 DEC ▼			

DMX Port 05	DMX Port 06	DMX Port 07	DMX Port 08
Port Status: Output ▼	Port Status: Output ▼	Port Status: Output ▼	Port Status: Output ▼
Port Mode: Single ▼	Port Mode: Single ▼	Port Mode: Single ▼	Port Mode: Single ▼
Protocol: sACN ▼	Protocol: sACN ▼	Protocol: sACN ▼	Protocol: ArtNet ▼
Frame Rate: 40HZ ▼	Frame Rate: 40HZ ▼	Frame Rate: 40HZ ▼	Frame Rate: 40HZ ▼
1st Universe: 5 DEC ▼	1st Universe: 6 DEC ▼	1st Universe: 7 DEC ▼	1st Universe: 0 DEC ▼

Firmware Upgrade

Please select a firmware file.

Choose File: No file chosen

Aperçu du serveur Web

Device Setting	
Device Name	NET-X V2
IP Mode	Static IP
Ip Address	2.32.108.49
Net Mask	255.0.0.0
Operating Mode	2 + 8 Port
User Presets	Art-net 8-port DMX
Firmware Version	B1.0 V1.4

Sélection du nom du périphérique
 Sélection du mode IP statique ou manuel
 Sélection du mode IP
 Sélection du masque réseau
 Sélection du mode de fonctionnement
 Sélection des préreglages utilisateur
 Affichage du microprogramme

Aperçu du port DMX - Statut d'entrée

DMX Port 01	
Port Status	Input
Port Mode	Normal
Protocol	ArtNet
1st Universe	0 DEC

Sélection du mode de port
 Sélection entre HTP et LTP
 Sélection du protocole
 Sélection entre DEC ou HEX
 Sélection l'univers principal

Aperçu du port DMX - Etat de sortie

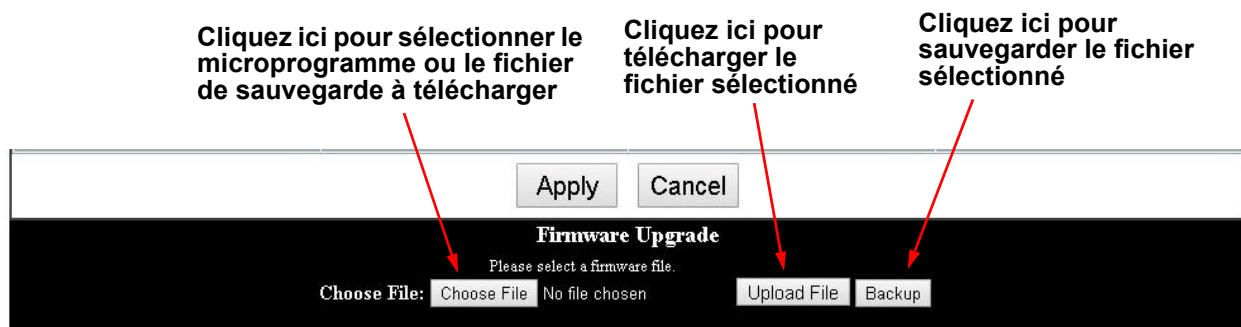
DMX Port 02	
Port Status	Output
Port Mode	HTP
Protocol	ArtNet
Frame Rate	40HZ
1st Universe	0 DEC
2nd Universe	9 DEC
Resend 2 Net-U	17 DEC

Sélection du mode de port
 Sélection entre HTP et LTP
 Sélection du protocole
 Sélection du taux de trame
 Sélection l'univers principal
 Sélection entre DEC ou HEX pour l'univers principal
 Sélection entre DEC ou HEX pour l'univers secondaire
 Sélection l'univers secondaire
 Sélection entre DEC ou HEX pour l'univers de renvoi
 Sélection l'univers de renvoi

Les options ne sont affichées que si Status est défini sur sortie et que HTP ou LTP est utilisé comme mode de port.

Mise à jour du microprogramme / Sauvegarde

Le Net-X II dispose d'une fonctionnalité de sauvegarde qui permet à l'appareil d'enregistrer et de charger des configurations à partir du serveur Web. Le Net-X II bénéficie également de mises à jour permettant de mettre le produit à jour vers le microprogramme le plus récent. Pour utiliser ces fonctions, suivez les instructions ci-dessous:



5. Informations Techniques

Entretien de l'Appareil

Pour une performance optimale et une usure minimisée, cet appareil doit être nettoyé régulièrement. Les conditions environnementales et d'utilisation peuvent exiger un nettoyage plus fréquent.

En règle générale, vous devez nettoyer l'appareil au moins deux fois par mois. L'accumulation de poussière réduit la sortie de lumière et peut entraîner une surchauffe de l'appareil. La vie des sources lumineuses s'en trouve réduite et l'usure mécanique accrue.

Pour nettoyer votre appareil, effectuez les actions suivantes:

1. Débranchez l'appareil.
2. Attendez que l'appareil soit à la température ambiante.
3. Utilisez un aspirateur (ou un compresseur d'air) et une brosse douce pour enlever la poussière accumulée sur les ventilations externes.
4. Nettoyez avec précaution toutes les surfaces externes en utilisant une solution douce de nettoyant pour vitres ou de l'alcool isopropylique.
5. Appliquez la solution directement sur un chiffon de coton doux et non pelucheux ou un tissu de nettoyage d'objectif.
6. Essuyez toute trace de saleté ou d'encrassement sur les bords extérieurs de la surface de la lentille.
7. Nettoyez en douceur la surface des lentilles jusqu'à ce que toute peluche ou trace ait disparue.



Assurez-vous avec soin de bien laisser sécher toutes les surfaces externes après les avoir nettoyé.

6. Spécificités Techniques

Dimensions et Poids

LONGUEUR	LARGEUR	HAUTEUR	POIDS
483 mm (19 po)	158 mm (6,22 po)	44 mm (1,73 po)	2,1 kg (4,6 lb)

Remarque: Les dimensions en pouce sont arrondies à la décimale la plus proche.

Alimentation

TYPE D'ALIMENTATION	PLAGE		SÉLECTION DE TENSION
Commutation (interne)	entre 100 et 240 V CA, 50/60 Hz		Universelle
PARAMÉTRÉ	120 V, 60 Hz	208 V, 60 Hz	230 V, 50 Hz
Consommation	11 W	14 W	14 W
Courant	0,09 A	0,06 A	0,06 A
E/S ALIMENTATION	ÉTATS-UNIS / CANADA	MONDIAL	
Connecteur d'entrée d'alimentation	Neutrik® powerCON® A	Neutrik® powerCON® A	
Prise du cordon d'alimentation	Edison (États-Unis)	Prise locale	

Connexions

ENTRÉE	SORTIE/ENTRÉE (ASSIGNABLES)	TRAVERSER
Neutrik® powerCON® (1) 5-pin XLR (2)	5-pin XLR (8)	Neutrik® etherCON® (1)

Contrôle

LOGICIEL PC	PROTOCOLE DE CONTRÔLE	PLAGE DE CANAUX ART-NET™
LED Studio	LINSN	95

Thermique

TEMPÉRATURE EXTERNE MAXIMUM	SYSTÈME DE REFROIDISSEMENT
104 °F (40 °C)	Convection

Commande

DESCRIPTION DE L'APPAREIL	NOM DE L'APPAREIL	CODE DE L'ARTICLE	CODE UPC
Net-X II	NETXII	09111455	781462218034



Renvois

Retournez l'appareil ainsi que tous ses accessoires en port prépayé, dans sa boîte et avec son emballage d'origine. CHAUVET ne délivre pas d'étiquette de renvoi.

Téléphonez à Chauvet et demandez un numéro d'autorisation de retour (NAR) avant de nous réexpédier l'appareil. Pour l'obtenir, il vous sera demandé de fournir le numéro du modèle, le numéro de série ainsi qu'une brève description de l'objet du retour.

Pour soumettre une demande de service en ligne, rendez-vous sur le site www.chauvetprofessional.com/service-request.

Indiquez lisiblement le NAR sur une étiquette apposée sur le colis. Chauvet refusera la réception de tout appareil pour lequel aucun NAR n'a été demandé.



Inscrivez le NAR sur une étiquette convenablement collée. N'écrivez PAS le NAR directement sur le colis.

Lorsque vous disposez du NAR, fournissez les informations suivantes sur une feuille de papier que vous placerez à l'intérieur du colis:

- Votre nom
- Votre adresse
- Votre numéro de téléphone
- Le numéro de NAR
- Une courte description du problème

Veillez à emballer l'appareil de manière adéquate. Vous serez tenu responsable de tout dommage survenant lors de l'expédition de retour dû à un emballage inadéquat. Nous vous recommandons d'utiliser un emballage double ou celui de FedEx.



CHAUVET se réserve le droit, à sa convenance, de réparer ou remplacer tout appareil qui lui est retourné.

Nous Contacter

Siège mondial	
Informations générales	Support technique
Adresse: 5200 NW 108th Ave. Sunrise, FL 33351 Téléphone: (954) 577-4455 Fax: (954) 929-5560 Numéro vert: (800) 762-1084	Téléphone: (844) 393-7575 Fax: (954) 756-8015 Courriel: chauvetcs@chauvetlighting.com
	Site Internet www.chauvetprofessional.com
EUROPE	
Informations générales	Support technique
Adresse: Stokstraat 18 9770 Kruishoutem Belgium Téléphone: +32 9 388 93 97	Courriel: eutech@chauvetlighting.eu
	Site Internet www.chauvetprofessional.eu
Informations générales	Support technique
Adresse: Unit 1C Brookhill Road Industrial Estate Pinxton, Nottingham, UK NG16 6NT Téléphone: +44 (0) 1773 511115 Fax: +44 (0) 1773 511110	Courriel: uktech@chauvetlighting.com
	Site Internet www.chauvetprofessional.eu
MEXICO	
Informations générales	Support technique
Adresse: Av. de las Partidas 34 - 3B, Zona Industrial Lerma (Entrance by Calle 2) Lerma, Edo. de México, CP 52000 Téléphone: +52 (728) 690-2010	Courriel: servicio@chauvet.com.mx
	Site Internet www.chauvetprofessional.mx

Visitez le site Internet ci-dessus qui vous concerne pour vérifier nos coordonnées et les instructions pour demander de l'assistance. En dehors des États-Unis, du Royaume-Uni, d'Allemagne, de France, d'Irlande, du Mexique ou du Benelux, veuillez contacter votre revendeur.

Opmerkingen bij deze editie

De Net-X II gebruikershandleiding bevat een beschrijving, veiligheidsmaatregelen, installatie-, programmering-, bediening-, en onderhoud instructies voor de Net-X II vanaf de uitgiftedatum van deze editie.

BEPERKTE GARANTIE

GA NAAR ONZE WEBSITE VOOR REGISTRATIE VAN DE GARANTIE EN DE VOLLEDIGE ALGEMENE VOORWAARDEN.

Voor klanten in de Verenigde Staten en Mexico: www.chauvetlighting.com/warranty-registration.

Voor klanten in het Verenigd Koninkrijk, Ierland, België, Nederland, Luxemburg, Frankrijk en Duitsland: www.chauvetlighting.eu/warranty-registration.

Chauvet garandeert dat dit product bij normaal gebruik vrij zal blijven van defecten in materiaal en vakmanschap, voor de opgegeven periode en onder voorbehoud van de uitzonderingen en beperkingen die zijn uiteengezet in de volledige beperkte garantie op onze website. Deze garantie geldt uitsluitend voor de oorspronkelijke koper van het product en is niet overdraagbaar. Om onder deze garantie rechten uit te oefenen, moet u een aankoopbewijs overleggen in de vorm van een origineel verkoopbewijs van een geautoriseerde dealer, waarop de naam van het product en de aankoopdatum zichtbaar zijn. ER ZIJN GEEN ANDERE EXPLICIETE OF IMPLICIETE GARANTIES. Deze garantie geeft u specifieke wettelijke rechten. Mogelijk heeft u ook andere rechten die van staat tot staat en van land tot land verschillen. Deze garantie is uitsluitend geldig in de Verenigde Staten, het Verenigd Koninkrijk, Ierland, België, Nederland, Luxemburg, Frankrijk, Duitsland en Mexico. Neem contact op met uw lokale verkoper voor garantievoorwaarden in andere landen.

Handelsmerken

CHAUVET, het Chauvet-logo en Net-X II zijn geregistreerde handelsmerken of handelsmerken van Chauvet & Sons LLC (d/b/a Chauvet en Chauvet Lighting) in de Verenigde Staten en andere landen. Hierin genoemde andere bedrijfs- en productnamen en logo's kunnen handelsmerken zijn van hun betreffende bedrijven.

Auteursrechtvermelding

De auteursrechtelijk beschermde werken in deze handleiding, waaronder, maar niet beperkt tot, alle ontwerpen, teksten en afbeeldingen, zijn eigendom van Chauvet.

© Copyright 2018 Chauvet & Sons, LLC. Alle rechten voorbehouden.

Elektronisch uitgegeven door Chauvet in de Verenigde Staten van Amerika.

Gebruik van de handleiding

Chauvet geen zijn klanten alleen de bevoegdheid om deze handleiding te downloaden en af te drukken voor professionele informatiedoeleinden. Chauvet verbiedt uitdrukkelijk het gebruik, kopiëren, opslaan, distribueren, wijzigen of het drukken van deze handleiding of de inhoud daarvan voor andere doeleinden, zonder schriftelijke toestemming van Chauvet.

Afdrukken van het document

Voor betere resultaten moeten deze documenten in kleur, dubbelzijdig op briefpapier afgedrukt worden. Als u A4-papier (210 x 297 mm) gebruikt moet u uw printer configureren om de content overeenkomstig op te schalen.

Beoogd publiek

Iedereen die de leiding heeft over de installatie, het gebruik en/of het onderhoud van dit product moet de gids bij het product, net zoals deze handleiding, volledig doorlezen vóór installatie, gebruik of onderhoud van het product.

Disclaimer

Chauvet gelooft dat de informatie in deze handleiding in alle aspecten accuraat is. Chauvet aanvaardt echter geen verantwoordelijkheid en wijst alle aansprakelijkheid af jegens enige partij voor enig verlies, schade of storingen die worden veroorzaakt door fouten of omissies in dit document, ongeacht of dergelijke fouten of omissies het gevolg zijn van nalatigheid, een ongeval of enige andere oorzaak. Chauvet behoudt zich het recht voor om de inhoud van dit document te wijzigen zonder enige verplichting om enig persoon of bedrijf van een dergelijke herziening te op de hoogte te stellen. Chauvet is echter niet verplicht dergelijke herzieningen te maken.

Herziening van het document

Dit Net-X II gebruikershandleiding is de editie 3 van dit document met firmwareversie 1.6. Ga naar www.chauvetprofessional.com voor de nieuwste versie.

1. Voordat tu begint

Wat is er inbegrepen

- Net-X II
- Neutrik® powerCON® stroomsnoer
- Gebruikershandleiding

Claims

Direct na ontvangst van dit product moet u de verpakking voorzichtig uitpakken en controleren. Controleer of u alles hierboven aangegeven onderdelen in goede toestand hebt ontvangen.

Als, na ontvangst, de doos of de inhoud (het product en meegeleverde accessoires) beschadigd lijken te zijn door de verzending of tekenen van ruwe behandeling vertonen, laat dit dan onmiddellijk weten aan de vervoerder en niet aan Chauvet. Als u dit niet tijdig doet, kan uw claim bij de vervoerder verlopen.




Daarnaast moet u de verpakking en al het verpakkingsmateriaal bewaren voor inspectie.

Voor andere problemen, zoals missende componenten of onderdelen, schade die niet is veroorzaakt door de verzending, kunt u binnen 7 dagen na ontvangst van de producten een claim indienen bij Chauvet.

Conventies van deze handleiding

CONVENTIE	BETEKENIS
1–512	Een waardenbereik in de tekst
50/60	Een set elkaar uitsluitende waarden in de tekst
<SET>	Een toets op het bedieningspaneel van het product
Settings	Een productfunctie of een menuoptie

Symbolen

SYMBOOL	BETEKENIS
	Kritieke installatie-, configuratie- of bedieningsinformatie. Het niet opvolgen van deze informatie kan ervoor zorgen dat het product niet werkt, schade veroorzaken aan apparatuur van derden of letsel veroorzaken aan de gebruiker.
	Belangrijke installatie- of configuratie-informatie. Het niet opvolgen van deze informatie kan ertoe leiden dat het product niet functioneert.
	Nuttige informatie.

Veiligheidsinstructies

Lees alle volgende veiligheidsvoorschriften voordat u dit product gebruikt. Deze voorschriften bevatten belangrijke informatie over de installatie, het gebruik en het onderhoud van dit product.



Dit product bevat geen onderdelen die door de gebruiker te onderhouden zijn. Een verwijzing naar onderhoud in deze gebruikershandleiding zal alleen van toepassing zijn op voldoende opgeleide gecertificeerde technici. Open nooit de behuizing en probeer geen reparaties uit te voeren.



Alle geldende plaatselijke normen en regelgeving zijn van toepassing voor juiste installatie van dit product.

Persoonlijke veiligheid

- Vermijd directe blootstelling van het oog aan de lichtbron als het product in werking is.
- Haal altijd de stekker van het product uit het stopcontact voordat u het reinigt of voor het vervangen van de zekering.
- Sluit het product altijd aan op een geaard circuit om elektrocutierisico's uit te sluiten.
- Raak de behuizing van het product tijdens gebruik niet aan, omdat het zeer warm kan worden.

Montage

- Het product is alleen voor gebruik binnenshuis! Om het risico op brand en schokken te vermijden mag u dit product niet blootstellen aan regen of vocht. (IP20)
- LET OP: Bij het verplaatsen van het product uit extreme omgevingen, (bijv. koude vrachtwagen naar warme, vochtige balzaal) kan er condensvorming optreden op de elektronica van het product. Om storingen te vermijden moet het product volledig kunnen acclimatiseren aan de omgeving voordat het op stroom wordt aangesloten.
- Zorg ervoor dat er geen brandbare materialen in de buurt van dit product zijn wanneer het in werking is.
- Draag het product nooit aan het snoer.

Stroom en bedrading

- Zorg ervoor dat het stroomsnoer niet knikt of beschadigt.
- Controleer altijd of u dit product koppelt aan de juiste spanning conform specificaties in deze handleiding of op het specificatielabel van het product.
- Om onnodige slijtage te elimineren en zijn levensduur te verlengen, gedurende perioden wanneer het product niet wordt gebruikt, moet u het product van de stroom afsluiten door een aardlekschakelaar om te zetten of door het te ontkoppelen.
- Sluit dit product nooit aan op een dimmerset of een regelweerstand.
- Koppel dit product nooit los door aan het stroomsnoer te trekken of te rukken.

Werking

- Gebruik dit product niet als er schade is op de behuizing of kabels. Laat de beschadigde onderdelen direct vervangen door een bevoegde technicus.
- Dek de ventilatiesleuven tijdens gebruik niet af om inwendige oververhitting te vermijden.
- De maximale omgevingstemperatuur bedraagt 45 °C. Gebruik het product niet bij hogere temperaturen.
- Stop direct met het gebruik van dit product in geval van ernstige gebruiksproblemen!



Als uw Chauvet-product onderhouden moet worden, kunt u contact opnemen met de Technische dienst van Chauvet.

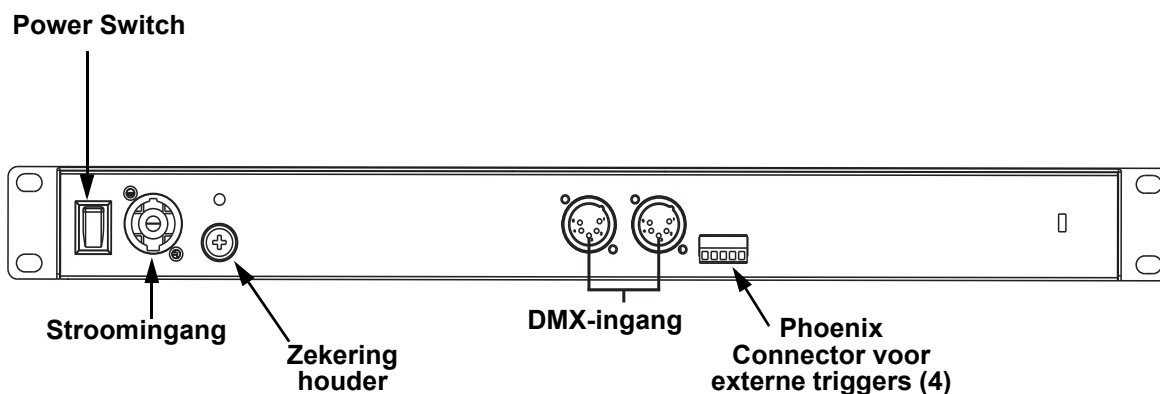
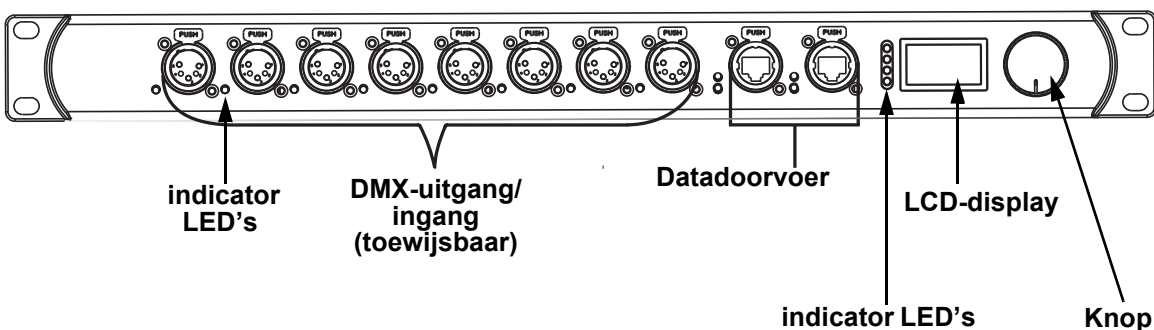
2. Inleiding

Beschrijving

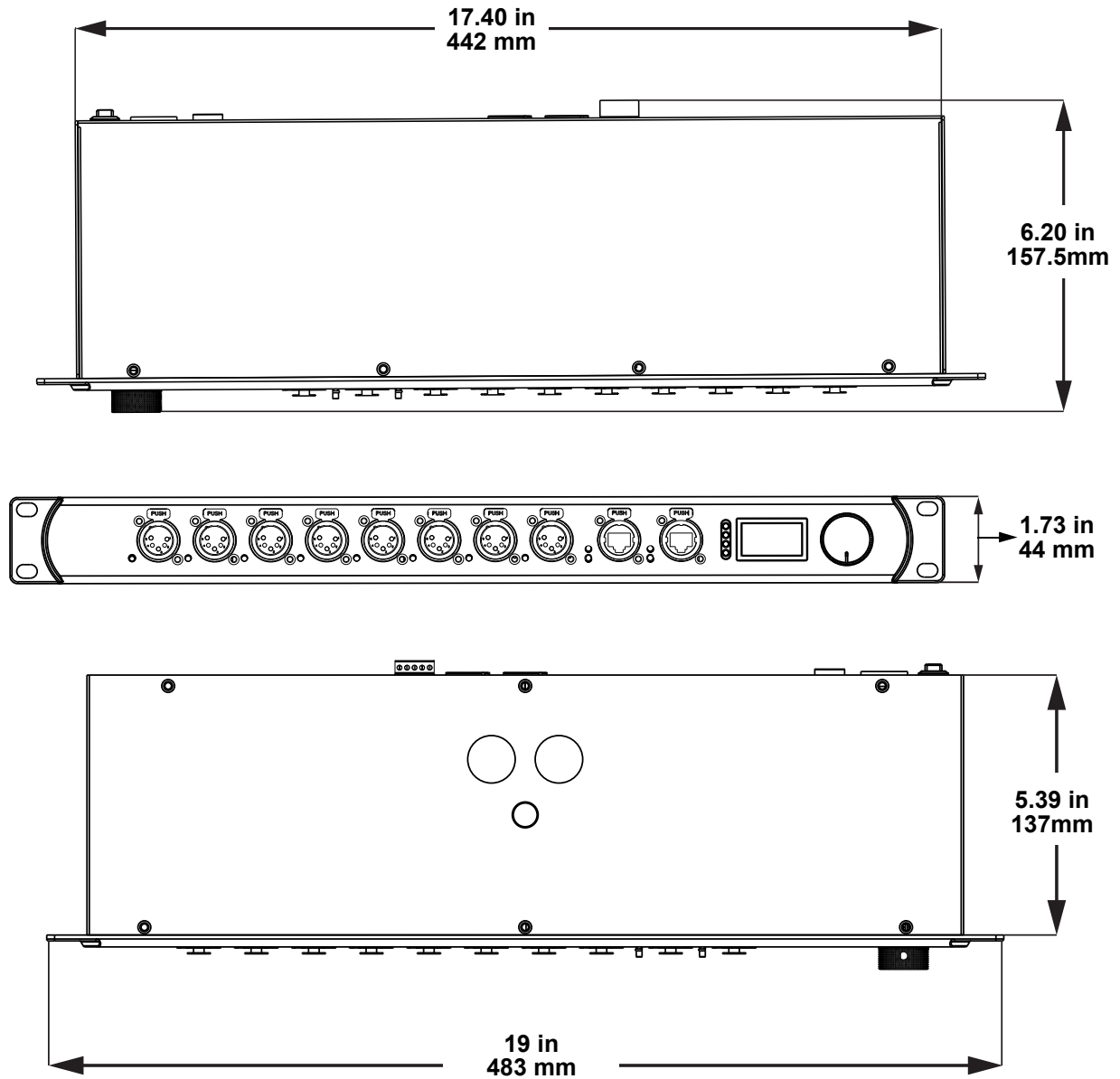
De Net-X II is een betrouwbare, universele rack Ethernet-adapter voor DMX-adapters. Het kan ook worden gebruikt als een optische DMX-splitter en een Art-Net™ -hub. Het heeft twee 5-pin DMX-ingangen en acht 5-pins DMX-uitgangen, die allemaal profiteren van de optische isolatie. Het kan tegelijkertijd tot 8 Art-Net™ - of sACN-universes beheren. De acht 5-pins DMX-uitgangen kunnen worden toegewezen aan elke DMX-ingang of elk Art-Net™ - of sACN-universum. Neutrik® etherCON®-poorten zijn passthru-poorten waarmee u meerdere Net-X II-apparaten kunt koppelen.

Voeg twee controllers samen in het Net-X II via DMX, Art-Net™ of sACN, waarbij zowel LTP (Latest Takes Precedence) als HTP (Highest Takes Precedence)-functies ondersteunt worden. Met de opnamefunctie kunt u ontwerpen van een controller opnemen en ze in een geheugen opslaan. Daarnaast worden ze ondersteund voor externe configuratie en voor back-ups/updates.

Overzicht van het voorpaneel



Afmetingen van het product



3. Instelling

AC-stroom

Elke Net-X II heeft een voeding met automatisch bereik die werkt met een ingangsspanning van 100–240 VAC, 50/60 Hz. Om de vermogensvraag van elke Net-X II, vast te stellen, raadpleegt u het etiket dat aan het product is bevestigd. U kunt ook de kaart [Technische Specificaties](#) in deze handleiding raadplegen.

Het gemelde spanningsvermogen geeft het maximale stroomverbruik aan gedurende normale werking. Voor meer informatie kunt u Maten aardlekschakelaars downloaden van de website van Chauvet:

www.chauvetprofessional.com.



- Sluit dit product altijd op een goed geaard en beveiligd stroomcircuit.
- Sluit om onnodige slijtage te verhinderen en de levensduur te verlengen tijdens periodes van niet-gebruik het product via stroomonderbreker of de stekker volledig van stroom af.



Sluit dit product nooit aan op een regelweerstand (variabele weerstand) of dimmercircuit, zelfs als het regelweerstand- of dimmerkanaal alleen als een 0 tot 100%-schakelaar dient.

Vervangen van de zekering

1. Ontkoppel dit product van de stroom.
2. Gebruik een Phillips schroevendraaier en schroef de kap van de zekeringhouder los van de behuizing.
3. Verwijder de doorgebrande zekering en vervang het met een werkende zekering van hetzelfde type en met dezelfde waarde.
4. Schroef de kap van de zekeringhouder terug en steek de stekker er weer in.

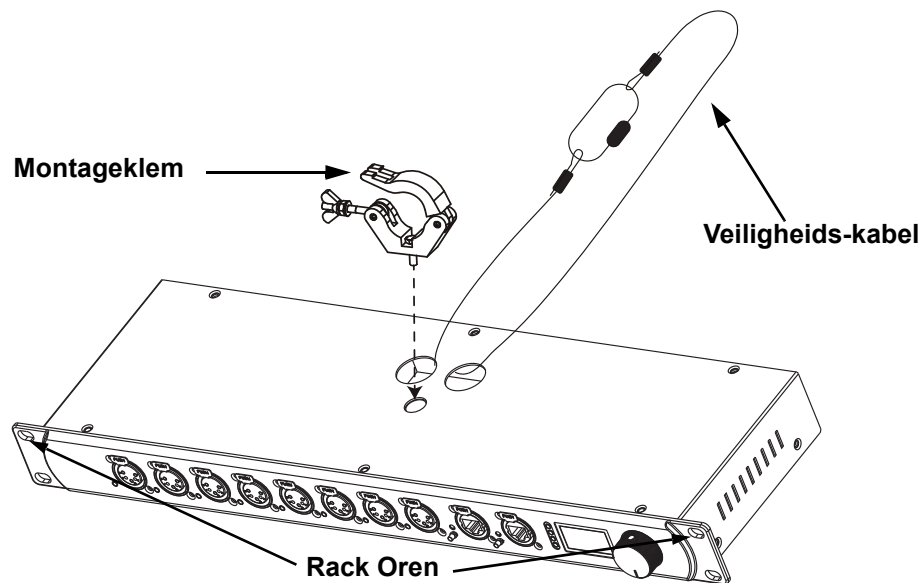
Montage

De Net-X II past goed op een standaard 19" rek, of het kan op zijn rubberen voetjes op een vlakke ondergrond worden geplaatst.

Oriëntering

- Voordat u een montageplaats kiest, moet u er rekening mee houden dat het apparaat altijd gemakkelijk toegankelijk is voor onderhoud en programmering.
- Zorg ervoor dat het apparaat voldoende geventileerd is.
- Zorg ervoor dat de structuur of het oppervlak waarop of waarop u het apparaat monteert, het gewicht kan dragen (zie Technische gegevens).
- Gebruik altijd de juiste veiligheidskabels wanneer u het apparaat ondersteboven monteert. Bevestig het apparaat stevig aan een ophangpunt, dat een verhoogd voetstuk of steigerelement kan zijn.

Montage Diagram



Signaalverbindingen

De Net-X II gebruikt het Linsn-aansturingsprotocol om videosignaal naar de aangesloten panelen te sturen. De Net-X II heeft USB en Ethernet-poorten voor communicatie met een computer, HDMI, SDI en DVI-poorten voor video-invoer, evenals 4 Neutrik® etherCON®-uitgangspoorten, een DVI-uitgangspoort, 2 ethernet slave-poorten en 2 ethernetpoorten voor Art-Net™ bediening.

Art-Net™-aansluiting

Met Art-Net™ kunt u de mapping en scaling voor regelen voor alle aangesloten panelen. U kunt de Net-X II op een controller aansluiten met behulp van een Ethernet-aansluiting. Bij gebruik van andere Art-Net™-compatibele producten bij dit product kunt u elk product individueel aansturen met één enkele controller. Het hoofdstuk Art-Net™-waarden geeft meer informatie over de aansturingskanalen.

Art-Net™ is een ethernet-protocol dat gebruikmaakt van TCP/IP dat over een groot netwerk grote hoeveelheden DMX512-gegevens verzendt met behulp van een Neutrik® etherCON® RJ45-verbinding. Een Art-Net™-protocoldocument is te verkrijgen op www.chauvetprofessional.com.

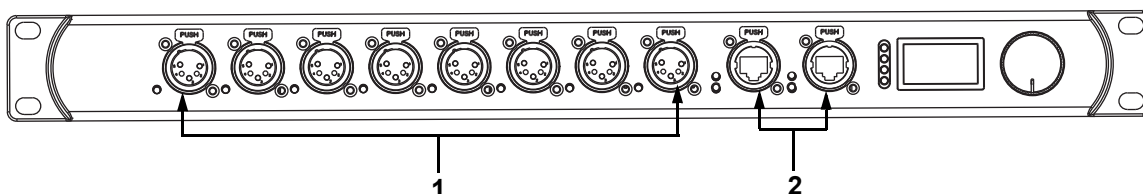
Art-Net™ is ontworpen door Artistic Licence Holdings Ltd en valt onder haar auteursrecht.

sACN-aansluiting

Streaming-ACN staat ook wel bekend als ANSI E1.31 en is een ethernetprotocol dat de laag- en opmaakstructuur gebruikt van Architecture for Control Networks om DMX512-gegevens te transporteren over IP of een ander ACN compatibel netwerk.

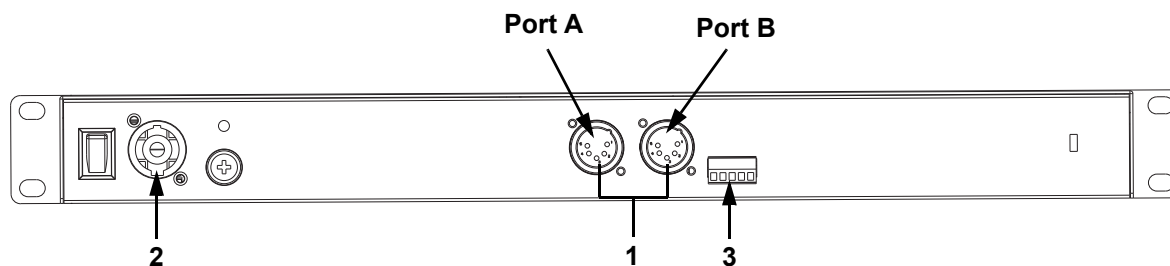
Aansluitingsdiagrammen

Diagram met ingangsaansluitingen



#	CONNECTIONS	PURPOSE
1	DMX-Uitvoer/Invoer	Ontvang of stuur DMX-invoer / uitvoer naar of van controllers of producten. Kan DMX ontvangen om te worden geconverteerd naar Art-Net™ of sACN.
2	Art-Net™ Ethernet	Maakt verbinding met Art-Net™, sACN-netwerken met een webserver

Diagram met uitgangsaansluitingen



#	CONNECTIONS	PURPOSE
1	DMX-invoer	DMX-poorten A en B.
2	Neutrik® powerCON®-inlaat	Ingangsvermogen
3	Phoenix-stekker	Om opgenomen scènes te activeren



- De Neutrik® etherCON®-poorten zijn via poorten. Elke poort kan een invoerpoort of een uitvoerpoort zijn.
- De Phoenix-connector heeft vier ingangen (triggers 1–4) en een aardingsterminal.

4. Werking

Werking van het bedieningspaneel

De Net-X II wordt geconfigureerd via het bedieningspaneel, door gebruik van de bedieningsknop. Zodra de Net-X II correct is geconfigureerd, werkt deze zonder tussenkomst van de gebruiker.

De Net-X II kan worden gebruikt als een DMX-splitter. In dit geval moeten de DMX-ingangspoorten worden toegewezen aan de DMX-uitgang/ingangspoorten. De instellingen voor het netwerkadres, subnet en IP-adres hoeven niet te worden geconfigureerd.

De Net-X II kan worden gebruikt als een ArtNet™ -knooppunt. In dit geval moeten de Art-Net™ -universes worden toegewezen aan de DMX-uitgang/ingangspoorten. De instellingen voor het netwerkadres, subnet en IP-adres moeten worden geconfigureerd.

De Net-X II kan worden gebruikt als een sACN-knooppunt. In dit geval moeten de sACN-universes worden toegewezen aan de DMX-uitgang/ingangspoorten. De instellingen voor het netwerkadres, subnet en IP-adres moeten worden geconfigureerd.

De Net-X II kan worden gebruikt als een DMX-splitter en als een knoop als Art-Net™ of sACN. In dit geval moeten de DMX-toewijzingen en Art-Net™ of sACN-instellingen worden geconfigureerd. Zie het gedeelte Configuratievoorbeelden voor meer informatie.

Voeg twee controllers samen in het Net-X via DMX, Art-Net™ of sACN, waarbij zowel LTP (Latest Takes Precedence) als HTP (Highest Takes Precedence)-functies ondersteunt worden. Met de opnamefunctie kunt u ontwerpen van een controller opnemen en ze in een geheugen opslaan. Daarnaast worden ze ondersteund voor externe configuratie en voor back-ups/updates. Met de opnamefunctie van de Net-X II kunt u looks van een controller opnemen en in het geheugen opslaan. Deze kunnen worden ingezet via de Phoenix-triggers.

Programmeren

Raadpleeg de Menu Map voor het begrijpen van de menu-opties. De menu map toont het hoofdniveau en voor elke optie verschillende programmeringsniveaus.

- Om vanuit het Startscherm naar het menu te gaan drukt u op de knop.
- Om op elk niveau van het menu door de opties te bladeren draait u aan de knop. Draai het met de klok mee om naar beneden te bladeren en draai het tegen de klok in om omhoog te bladeren.
- Druk op de knop om de gemarkeerde optie te selecteren. Dit brengt u naar het volgende programmeringsniveau voor die optie, of het markeert een waarde die kan worden bewerkt.
- Om een geselecteerde nummerwaarde te verhogen draait u de knop met de klok mee. Om een geselecteerde nummerwaarde te verlagen draait u de knop tegen de klok in.
- Druk **Exit/Cancel** op om terug te gaan naar het vorige menuniveau.
- Druk op de knop 3 seconden op de knop om terug te keren naar het startscherm.

Menu Map

HOOFDNIVEAU	PROGRAMMEERNIVEAUS		BESCHRIJVING
1. Custom Device Name	-----		Voert een aangepaste apparaatnaam in
2. Set IP Mode	1. Static IP	-----	Standaardadres-kan niet gewijzigd worden
	2. Manual IP	-----	Stelt de IP-adressen in
3. Exit			Sluit af naar het vorige scherm
3. Set Netmask	A. 255.000.000.000		Stelt Netmask A in
	B. 255.255.000.000		Stelt Netmask B in
	C. 255.255.255.000		Stelt Netmask C in
	Exit		
4. Operating Mode	1. 8 Port		Wijst elke poort toe als een uitgang/ingang (dit ondersteunt ook RDM over Ethernet)
	2. 2 + 8 Port		Ondersteunt DMX-samenvoeging met de twee DMX-ingangen (schakel de RDM-functie uit)
	3. Exit		
5. NetWork Timeout	1. Disabled		Schakelt de time-outfunctie uit
	2. 1 Seconds		1 seconde vertraging om geen opdrachten meer te ontvangen van een console die op het netwerk is aangesloten
	3. 2 Seconds		2 seconden vertraging om geen opdrachten meer te ontvangen van een console die op het netwerk is aangesloten
	4. 5 Seconds		5 seconden vertraging om geen opdrachten meer te ontvangen van een console die op het netwerk is aangesloten
	5. Exit		

HOOFDNIVEAU	PROGRAMMEERNIVEAUS		BESCHRIJVING	
5. Set DMX Port	DMX Ports 1–8 / DMX Input A–B (Ingangen A en B worden alleen weergegeven als de bedieningsmodus is ingesteld op 2 + 8 poorten)	1. Disp Type	HEX	Hexadecimale waarden
			DEC	Decimale waarden
		2. DMX Status	OUTPUT	Stelt de poort in als Uitgang
			INPUT	Stelt de poort in om DMX te ontvangen van een controller die naar een andere DMX-poort kan worden gerouteerd
			DISABLED	Schakel de uitvoerpoort uit
		3. DMX Mode	SINGLE (Alleen uitvoerstatus)	Schakelt het samenvoegen van Ethernet-signalen uit
			LTP (Alleen uitvoerstatus)	Stelt de samenvoeging van het Ethernet-signaal in naar (Latest Takes Precedence)
			HTP (Alleen uitvoerstatus)	Stelt de samenvoeging van het Ethernet-signaal in naar (Highest Takes Precedence)
			NORMAL (Alleen invoerstatus)	Stelt invoerpoorten in die fungeren als primaire controller
		4. Protocol	BACKUP (Alleen invoerstatus)	Stelt ingangspoorten in die fungeren als back-upcontroller
			ArtNet	Stelt de invoer / uitvoerbron voor de DMX-poort in op Art-Net™
		5. Framerte/fs	sACN	Stelt de invoer / uitvoerbron voor de DMX-poort in op SACN
			010–040	Stelt de snelheid van de uitvoer in
		6. Network	00H–7FH (Hex) 000–128 (Dec)	Stelt de net-instellingen in
7. 1st Universe	00H–FFH (Hex) 000–256 (Dec)	Stelt de primaire invoer / uitvoer-universe in		
8. 2nd Universe (Uitgangsstatus & alleen HTP- of LTP-modus)	00H–FFH (Hex) 000–256 (Dec)	Stelt de secundaire uitvoer-universe in wanneer HTP / LTP-signalen worden samengevoegd met het eerste universum		
9. Resend 2 Net-U (Uitgangsstatus & alleen HTP- of LTP-modus)	00H–FFH (Hex) 000–256 (Dec)	Bepaalt welk universum opnieuw moet worden uitgezonden op het netwerk (bij gebruik van 1e en 2e universum)		
10. Exit		Sluit af naar het vorige scherm		
6. LCD Backlight	1. On		De backlight van de display is altijd aan	
	2. 10 Seconds		Schakelt de backlight van de display uit na 10s van inactiviteit	
	3. 30 Seconds		Schakelt de backlight van de display uit na 30s van inactiviteit	
	4. Exit		Sluit af naar het vorige scherm	

HOOFDNIVEAU	PROGRAMMEERNIVEAUS		BESCHRIJVING	
7. User Preset	1. Art-net 8-port DMX		Stelt alle 8 poorten in om 8 universums van ArtNet van 0–7 te ontvangen	
	2. sACN to 8-port DMX		Stelt alle 8 poorten in om 8 universums van sACN van 1–8 te ontvangen	
	3. 1x8 DMX Splitter		Stelt het product in om als een DMX-splitter te werken waarbij alle 8 uitgangen DMX ontvangen van ingang A	
	4. 2x4 DMX Splitter		Stelt 1–4 uitgangen in naar ingangspoort A en de 5–8 uitgangen naar ingangspoort B	
	5. Exit		Sluit af naar het vorige scherm	
8. Factory Reset	NO		Reset naar standaard fabrieksinstellingen	
	YES			
9. Record Scenes <1-10>	1. Name Scene	-----	Cancel Enter	
	2. Step: (0/0)	000-100		
	3. Add Step			Deze functie voegt een stap toe aan de scène
	4. Delete Step	NO		Deze functie verwijdert een stap van de scène
		YES		
	5. Timing	1. Save Step		Slaat de timing op voor de geselecteerde stap
		2. Fade In Time	0.10S-9M59S	Selecteert de fade in-tijd
3. Fade Out Time		0.10S-9M59S	Selecteert fade out-tijd	
4. Delay Time		0.10S-9M59S	Selecteert de vertragingstijd	
6. Exit			Sluit af naar het vorige scherm	
10. Trigger Settings	1. Trigger 1	Scene 1-10	Wijs trigger 1 toe aan een van de 10 scènes	
	2. Trigger 2	Scene 1-10	Wijs trigger 2 toe aan een van de 10 scènes	
	3. Trigger 3	Scene 1-10	Wijs trigger 3 toe aan een van de 10 scènes	
	4. Trigger 4	Scene 1-10	Wijs trigger 4 toe aan een van de 10 scènes	
	5. Exit			Sluit af naar het vorige scherm
11. Backup	1. Save	Preset 1-10	Slaat configuraties op en laadt ze, druk op de knop om te bevestigen en af te sluiten Exit (om te annuleren)	
	2. Load	Preset 1-10		
	3. Exit			Sluit af naar het vorige scherm
12. Firmware Version	-----		Toont de softwareversie	
13. Exit	Exit		Sluit af naar het vorige scherm	

Configuratie gebruiksinstellingen

Startscherm

De Net-X II heeft 2 startschermen die de huidige status van alle poorten weergeven. Wanneer het menu niet is geopend wordt het startscherm weergegeven. Druk op de knop om vanuit het startscherm naar het menu te gaan. Om terug te keren naar het startscherm vanuit het menu, selecteert u 13. Afsluiten en drukt u op de knop of houdt u de bedieningsknop gedurende 3 seconden ingedrukt (dit kan vanuit elke positie in de menustructuur).

Primaire Startscherm.

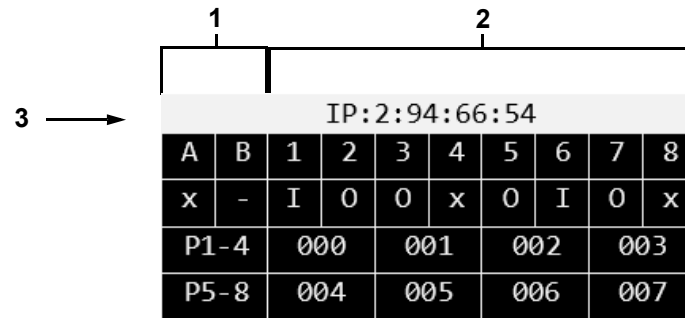
		1				2				
		IP: 2:94:66:54								
3 →	A	B	1	2	3	4	5	6	7	8
	✓	✓	x	x	x	x	x	x	x	x
	P1-4		ACN		ACN		Art		ACN	
	P5-8		ACN		Art		Art		ACN	

#	PICTOGRAM	BETEKENIS
1	A-B	Ethernet in / via poorten
	- or x (Ethernet-poortstatus)	x verbonden - verbroken
	P1-4	poort universum label 1-4
	P5-8	poort universum label 5-8
2	1-8	5-pins vrouwelijke poorten 1-8
	✓ of x (signaalsensor voor poorten)	✓ een signaal wordt gedetecteerd x signaal wordt niet gedetecteerd
	Art, ACN, of DMX (Art-Net™, sACN, of DMX)	definieert uitvoer- of invoerpoortuniversum voor uitgangen 1-4
	Art, ACN, of DMX (Art-Net™, sACN, of DMX)	definieert uitvoer- of invoerpoortuniversum voor uitgangen 5-8
3	IP:	stelt de IP-adressen in

Werking

Secundair Startscherm

Om toegang te krijgen tot het tweede startscherm, draait u aan de knop wanneer u het hoofdscherm ziet...



#	PICTOGRAM	BETEKENIS
1	A-B	5-pins mannelijke invoerpoort A en B
	- or x (poorten A en B)	x verbonden - verbroken
	P1-4	poort universum label 1-4
	P5-8	poort universum label 5-8
2	1-8	5-pins vrouwelijke poorten 1-8
	I, O, of x (de richting van de poorten)	ingang (I) uitgang (O) uitgeschakeld (x)
	000-256	definieert uitvoer- of invoerpoortuniversum voor uitgangen 1-4
	000-256	definieert uitvoer- of invoerpoortuniversum voor uitgangen 5-8
3	IP:	stelt de IP-adressen in

Aangepaste apparaatnaam

Om de Net-X II een aangepaste apparaatnaam te geven doet u het volgende:

1. Gebruik de knop en selecteer **1. Custom Device Name**.
2. Druk op de knop.
3. Druk op de knop als er geen naam voor dit product ingesteld is. Als er een naam voor dit product ingesteld is, gebruik dan de knop om te selecteren welke letter bewerkt moet worden en druk daarna op de knop.
4. Gebruik de knop voor het selecteren van de letter, het nummer of symbool, van **A-@**. Er zijn 63 opties.
5. Herhaal dit totdat de naam naar wens is ingesteld.
6. Gebruik de knop voor het selecteren van **Enter** om de naam op te slaan of **Cancel** om af te sluiten zonder op te slaan.
7. Druk op de knop.

Statische IP-modus

De Net-X II kan een vooraf ingesteld statisch IP-adres gebruiken of handmatig ingesteld worden.

Statische IP

Om de Net-X II to naar een vooraf ingesteld statisch IP-adres in te stellen volgt u de onderstaande instructies:

1. Gebruik de knop en selecteer **2. Set IP Mode**.
2. Druk op de knop.
3. Gebruik de knop en selecteer **1. Static IP**.
4. Druk op de knop.

Handmatige IP

Doe het volgende om het IP-adres handmatig in te stellen:

1. Gebruik de knop en selecteer **2. Set IP Mode**.
2. Druk op de knop.
3. Gebruik de knop en selecteer **2. Manual IP**.
4. Druk op de knop.
5. Het handmatige IP-adres kan van **000.000.000.000 tot 255.255.255.255** ingesteld worden door de kop te gebruiken om te bladeren en de gewenste nummers **000–255** te selecteren voor elke byte (set van drie cijfers). Gebruik dit proces om elk van de vier bytes in te stellen.
6. Gebruik de knop voor het selecteren van **Enter** om het gekozen IP-adres op te slaan of **Cancel** om af te sluiten zonder op te slaan.

Netmask instellen

Volg onderstaande instructies om de Netmask in te stellen:

1. Gebruik de knop en selecteer **3. Set Netmask**.
2. Druk op de knop.
3. Gebruik de knop om een van de volgende opties te selecteren:
 - A. 255.000.000.000
 - B. 255.255.000.000
 - C. 255.255.255.000
 - **Exit** (om te annuleren).

Bedrijfsmodus

De Net-X II kan werken als een splitter/omvormer of als een DMX-samenvoeger. Doe het volgende om tussen de 2 modi te schakelen:

1. Gebruik de knop en selecteer **4. Operating Mode**.
2. Druk op de knop.
3. Gebruik de knop voor het selecteren van **1. 8 poort** (gebruikt om RDM over Ethernet-ondersteuning in te schakelen voor het transporteren van RDM van / naar verlichtingsapparaten via 5-pins DMX naar een verlichtingscontroller via Ethernet, bijv. Art-Net™, Art-RDM) of **2. 2 + 8 poort** (vereist voor de DMX-splittermodus via de 2 mannelijke DMX-poorten aan de achterkant van de NET-X II; alle functies van RDM uitschakelen; voeg DMX-ingangen A en B toe onder Set DMX Port menu-optie).
4. Druk op de knop.
5. **3.Exit** (om te annuleren).

Netwerktime-out

De netwerktime-out bepaalt de tijdvertraging voor de Net-X II om geen opdrachten meer te ontvangen van een console die op het netwerk is aangesloten. Dit kan alleen worden toegepast op HTP / LTP DMX-samenvoegmodi en op Art-Net™ - of sACN-protocollen.

1. Gebruik de knop en selecteer **5. NetWork Timeout**.
2. Druk op de knop.
3. Gebruik de knop voor het selecteren van **1. Disabled, 2. 1 Seconds, 3. 2 Seconds, of 4. 5 Seconds**.
4. Druk op de knop.
5. **5. Exit** (om te annuleren).

Als de instelling op Disabled staat, blijft de Net-X II vergrendeld in de netwerkverlichtingscontroller, zelfs als de controller stopt met het verzenden van gegevens.

DMX-poortinstellingen

De Net-X II heeft 8 DMX-poorten die als uitgangen of ingangen ingesteld kunnen worden. Volg de onderstaande instructies om een DMX-poort te selecteren die geconfigureerd moet worden:

1. Gebruik de knop en selecteer **6. Set DMX Port**.
2. Druk op de knop.
3. Gebruik de knop voor het selecteren van de gewenste DMX-poort, uit **DMX Port 1–8 / DMX Input A–B** (DMX-ingangen worden alleen weergegeven als de bedieningsmodus is ingesteld op 2 + 8 poorten), of **Exit** (om te annuleren).
4. Druk op de knop.

Werking

Weergavetype

Het weergavetype bepaalt of de geselecteerde poort universeel wordt weergegeven als decimale of hexadecimale waarden. Het weergavetype zal de menu-opties voor de bereiken Netwerk en Universe wijzigen

1. Selecteer de te configureren DMX-poort zoals geïnstrueerd in de [DMX-poortinstellingen](#)
2. Gebruik de knop en selecteer **1. Disp Type**.
3. Druk op de knop.
4. Gebruik de knop om een van beide te selecteren **DEC** (decimale) of **HEX** (hexadecimale).
5. Druk op de knop.

Status van DMX

De DMX-status bepaalt of de geselecteerde poort functioneert als een invoer, een uitvoer of uitgeschakeld.

1. Selecteer de te configureren DMX-poort zoals geïnstrueerd in de [DMX-poortinstellingen](#)
2. Gebruik de knop en selecteer **2. DMX Status**.
3. Druk op de knop.
4. Gebruik de knop en selecteer, **1. DISABLE**, **2. OUTPUT**, of **3. INPUT**.
5. Druk op de knop.

DMX-modus

De Net-X II kan twee signalen van hetzelfde protocol samenvoegen met behulp van HTP (Highest Takes Precedence), of LTP (Latest Takes Precedence)-logica. Wanneer de DMX-status is ingesteld op Input, moeten Normaal en Back-up zijn ingesteld op dezelfde uitvoeruniverse.

1. Selecteer de te configureren DMX-poort zoals geïnstrueerd in de [DMX-poortinstellingen](#)
2. Gebruik de knop en selecteer **3. DMX Mode**.
3. Druk op de knop.
4. Gebruik de knop om de gewenste modus te selecteren:
 - **SINGLE** (Alleen uitvoerstatus) - om de modus uit te schakelen.
 - **HTP** (Alleen uitvoerstatus) - Highest Takes Precedence.
 - **LTP** (Alleen uitvoerstatus) - Latest Takes Precedence.
 - **NORMAL** (Alleen ingangstatus) - Invoerpoort fungeert als een primaire controller.
 - **BACKUP** (Alleen ingangstatus) - Invoerpoort fungeert als een back-upcontroller; de Net-X II accepteert GEEN wijzigingen van de reservepoort totdat de normale poort met dezelfde toewijzing van Universe stopt met het uitzendbesturingssignaal.
5. Druk op de knop.

Protocol

Stel het protocol in op Art-Net™ of SACN:

1. Selecteer de te configureren DMX-poort zoals geïnstrueerd in de [DMX-poortinstellingen](#)
2. Gebruik de knop en selecteer **4. Protocol**.
3. Druk op de knop.
4. Gebruik de knop om uit de volgende opties te kiezen, **ArtNet** of **sACN**.
5. Druk op de knop.

Framerte/fs

De framesnelheid, in milliseconden (ms), is de snelheid waarmee de DMX-pakketten uit de 8 DMX-poorten worden verzonden. Dit is alleen van toepassing als de poorten zijn ingesteld op Uitgang.

1. Selecteer de te configureren DMX-poort zoals geïnstrueerd in de [DMX-poortinstellingen](#)
2. Gebruik de knop en selecteer **5. Framerte/fs**.
3. Druk op de knop.
4. Gebruik de knop en selecteer **010-040**.
5. Druk op de knop.

Dit is belangrijk voor apparaten die geen snelle DMX kunnen ontvangen.

Netwerk

Volg onderstaande instructies om de Net in te stellen:

1. Selecteer de te configureren DMX-poort zoals geïnstrueerd in de [DMX-poortinstellingen](#)
2. Gebruik de knop en selecteer **6. Network**.
3. Druk op de knop.
4. Gebruik de knop om te selecteren uit bereikopties (verschilt op basis van Disp Type en Protocol selecties):
 - **000–127**: Wanneer Disp Type is ingesteld op DEC en Protocol is ingesteld op ArtNet.
 - **001–128**: Wanneer Disp Type is ingesteld op DEC en Protocol is ingesteld op sACN.
 - **00H–7FH**: Wanneer Disp Type is ingesteld op HEX en Protocol is ingesteld op ArtNet.
 - **01H–80H**: Wanneer Disp Type is ingesteld op HEX en Protocol is ingesteld op sACN.
5. Druk op de knop.

Dit wordt geïmplementeerd in zeer weinig consoles en is alleen van toepassing op het ArtNet 4-protocol.

1st Universe

Stelt de primaire invoer / uitvoer-universe in. Bij het samenvoegen van HTP / LTP-signalen en het werken in de Uitvoermodus werkt dit samen met de instelling van de 2nd universe om gegevens uit 2 verschillende IP-adressen samen te voegen.

1. Selecteer de te configureren DMX-poort zoals geïnstrueerd in de [DMX-poortinstellingen](#)
2. Gebruik de knop en selecteer **7. 1st Universe**.
3. Druk op de knop.
4. Gebruik de knop om te selecteren uit bereikopties (verschilt op basis van Disp Type en Protocol selecties):
 - **000–255**: Wanneer Disp Type is ingesteld op DEC en Protocol is ingesteld op ArtNet.
 - **001–256**: Wanneer Disp Type is ingesteld op DEC en Protocol is ingesteld op sACN.
 - **00H–7FH**: Wanneer Disp Type is ingesteld op HEX en Protocol is ingesteld op ArtNet.
 - **01H–80H**: Wanneer Disp Type is ingesteld op HEX en Protocol is ingesteld op sACN.
5. Druk op de knop.

2nd Universe

Stelt de secundaire uitvoeruniverse in. Bij het samenvoegen van HTP / LTP-signalen en het werken in de Uitvoermodus werkt dit samen met de instelling van de 1st universe om de gegevens van twee verschillende IP-adressen samen te voegen.

1. Selecteer de te configureren DMX-poort zoals geïnstrueerd in de [DMX-poortinstellingen](#)
2. Gebruik de knop en selecteer **8. 2nd Universe** (optie wordt alleen weergegeven als DMX-status is ingesteld op UITVOER & DMX-modus is ingesteld op HTP of LTP).
3. Druk op de knop.
4. Gebruik de knop om te selecteren uit bereikopties (verschilt op basis van Disp Type en Protocol selecties):
 - **000–255**: Wanneer Disp Type is ingesteld op DEC en Protocol is ingesteld op ArtNet.
 - **001–256**: Wanneer Disp Type is ingesteld op DEC en Protocol is ingesteld op sACN.
 - **00H–7FH**: Wanneer Disp Type is ingesteld op HEX en Protocol is ingesteld op ArtNet.
 - **01H–80H**: Wanneer Disp Type is ingesteld op HEX en Protocol is ingesteld op sACN.
5. Druk op de knop.

Werking

Resend 2 Net-U

De Net-X II kan het samengevoegde universum uit de bovenstaande 2 instellingen terugzenden naar het netwerk. Deze nieuwe samengevoegde universe is toegankelijk vanaf een andere DMX-uitvoerpoort op de Net-X II of op een ander apparaat in het netwerk (inclusief een verlichtingsarmatuur die ArtNet / sACN accepteert). Deze instelling bepaalt welk universum opnieuw moet worden uitgezonden op het netwerk.

1. Selecteer de te configureren DMX-poort zoals geïnstrueerd in de [DMX-poortinstellingen](#)
2. Gebruik de knop en selecteer **9. Resend 2 Net-U** (optie wordt alleen weergegeven als DMX-status is ingesteld op UITVOER & DMX-modus is ingesteld op HTP of LTP).
3. Druk op de knop.
4. Gebruik de knop om te selecteren uit bereikopties (verschilt op basis van Disp Type en Protocol selecties):
 - **000–255**: Wanneer Disp Type is ingesteld op DEC en Protocol is ingesteld op ArtNet.
 - **001–256**: Wanneer Disp Type is ingesteld op DEC en Protocol is ingesteld op sACN.
 - **00H–7FH**: Wanneer Disp Type is ingesteld op HEX en Protocol is ingesteld op ArtNet.
 - **01H–80H**: Wanneer Disp Type is ingesteld op HEX en Protocol is ingesteld op sACN.
5. Druk op de knop.

Als u hetzelfde universum samenvoegt van 2 verschillende controllers en dit universum NIET opnieuw wilt uitzenden naar het netwerk, stelt u het eerste universum, het tweede universum en het universum Opnieuw verzenden in op dezelfde waarde.

Beeldscherm LCD

Als u de tijd na inactiviteit wilt aanpassen voordat de achtergrondverlichting van het scherm wordt uitgeschakeld, volgt u de onderstaande instructies:

1. Gebruik de knop en selecteer **6. LCD Backlight**.
2. Druk op de knop.
3. Gebruik de knop om uit de volgende opties te kiezen, **1. On** (gaat niet uit), **2. 10 Seconds** (schakelt uit na 10 seconden inactiviteit), **3. 30 seconds** (schakelt uit na 30 seconden inactiviteit), of **4. Exit** (om te annuleren).
4. Druk op de knop.

Selecteer gebruikersvoorkeuren

Deze optie slaat 4 verschillende voorinstelde menu-optieconfiguraties op. -Volg onderstaande instructies om deze voorinstellingen in te stellen:

1. Gebruik de knop en selecteer **7. User Preset**.
2. Druk op de knop.
3. Gebruik de knop om een van de vier volgende voorinstellingen te selecteren:
 - **1. Art-net 8-poort DMX** (Stelt alle 8 poorten in om 8 universums van ArtNet van 0–7 te ontvangen).
 - **2. sACN 8-poort DMX** (Stelt alle 8 poorten in om 8 universums van sACN van 1–8 te ontvangen).
 - **3. 1x8 DMX-splitter** (Stelt het product in om als een DMX-splitter te werken waarbij alle 8 uitgangen DMX ontvangen van ingang A).
 - **4. 2x4 DMX-splitter** (Stelt 1–4 uitgangen in naar **ingangspoort A** en de 5–8 uitgangen naar **ingangspoort B**).
 - **5. Exit** (om te annuleren).
4. Druk op de knop.

Fabrieksinstellingen reset

Naar reset naar fabrieksinstellingen, volgt u de onderstaande instructies:

1. Gebruik de knop en selecteer **8. Factory Reset**.
2. Druk op de knop.
3. Gebruik de knop om **NO** (niet resetten) of **YES** (reset naar fabrieksinstellingen) te selecteren.
4. Druk op de knop.

Hiermee worden alle bestaande opgenomen scènes gewist.

Scènes opnemen

De Net-X II kan tot 10 scènes opnemen. Volg onderstaande instructies om scènes op te nemen.

1. Gebruik de knop en selecteer **9. Record Scenes**.
2. Druk op de knop.
3. Gebruik de knop en selecteer **Scene 1–10**.
4. Druk op de knop.

Scènaam

Met de Net-X II kunt u van elke scène de naam aanpassen. Doe het volgende om de naam van een scène te veranderen:

1. Selecteer de te configureren scène zoals is vermeld in [Scènes opnemen](#)
2. Gebruik de knop en selecteer **1. Name:Scene_1–10**.
3. Druk op de knop.
4. Gebruik de knop voor het selecteren van de letter, het nummer of symbool, van **A–@**. Er zijn 96 opties.
5. Herhaal dit totdat de naam naar wens is ingesteld.
6. Gebruik de knop voor het selecteren van **Enter** om de naam op te slaan of **Cancel** (Annuleren) om af te sluiten zonder op te slaan.
7. Druk op de knop.

Scènestappen

Deze functie toont het aantal stappen dat in de scène is opgeslagen. Volg de onderstaande instructies om de eerder opgeslagen stappen weer te geven.

1. Selecteer de te configureren scène zoals is vermeld in [Scènes opnemen](#)
2. Gebruik de knop en selecteer **2. Step:(0/0)**.
3. Druk op de knop.
4. Draai aan de knop om door de opgeslagen stappen te bladeren.

Stap toevoegen

Deze functie voegt een stap toe aan de scène. Doe het volgende om een stap aan de scène toe te voegen:

1. Selecteer de te configureren scène zoals is vermeld in [Scènes opnemen](#)
2. Gebruik de knop en selecteer **Add Step**.
3. Druk op de knop.

Stap verwijderen

Deze functie verwijdert een stap van de scène. Volg onderstaande instructies om een stap van de scène te verwijderen:

1. Selecteer de te configureren scène zoals is vermeld in [Scènes opnemen](#)
2. Gebruik de knop en selecteer **Delete Step**.
3. Druk op de knop.

Timing

Deze functie stelt de intervallen tussen stappen in evenals een desgewenst vervagings-effect.

1. Selecteer de te configureren scène zoals is vermeld in [Scènes opnemen](#)
2. Gebruik de knop en selecteer **5. Timing**.
3. Druk op de knop.
4. Gebruik de knop voor het selecteren van:
 - **2. Fade In Time:0,10S—9M59S** (selecteert de fade in-tijd).
 - Druk op de knop.
 - **3. Fade Out Time:0,10S—9M59S** (selecteert fade out-tijd).
 - Druk op de knop.
 - **4. Delay Time:0,10—9M59S** (selecteert de vertragingstijd).
 - Druk op de knop.
 - **5. Exit** (Annuleren).
5. Selecteer **1. Save Step** optie om de configuraties op te slaan.

Triggerinstellingen

De Net-X II kan een trigger aan een externe schakelaar toewijzen om een opgeslagen scène te activeren. Als de trigger is ingeschakeld, wordt de Trigger Info weergegeven op het displayscherm met de scène-naam, het aantal stappen en de timing die voor die scène is ingesteld.

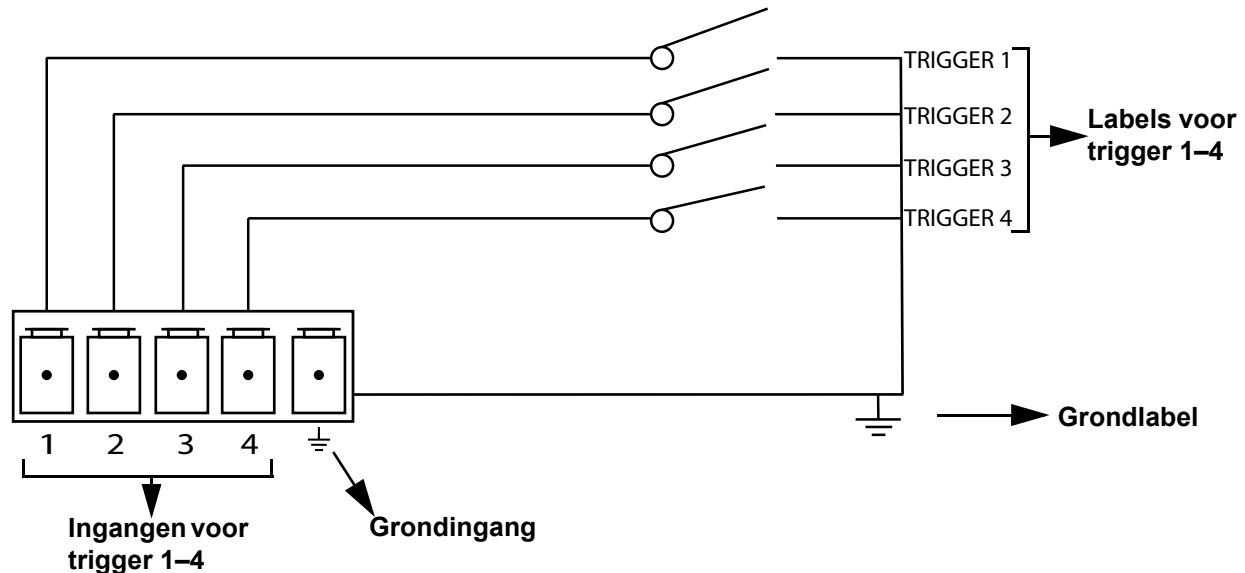
1. Gebruik de knop en selecteer **10. Trigger Settings**.
2. Druk op de knop.
3. Gebruik de knop en selecteer **Trigger 1–4**.
4. Druk op de knop.
5. Gebruik de knop en selecteer **Scene 1–10**.
6. Druk op de knop.

Werking

Triggerinstellingen diagram

De Net-X II kan opgenomen scènes instellen op een trigger met behulp van de 5-draads Phoenix Connector aan de achterkant van het apparaat. Er kunnen maximaal 4 triggers worden aangesloten voor tijdelijke functionaliteit.

Een vergrendelingsschakelaar is nodig om voor onbepaalde tijd te kunnen werken.



Backup

De Net-X II heeft een back-upinstelling waarmee het product configuraties kan opslaan en laden.

1. Gebruik de knop en selecteer **11. Backup**.
2. Druk op de knop.
3. Gebruik de knop en selecteer **1. Save**.
4. Druk op de knop.
5. Gebruik de knop en selecteer **2. Load**.
6. Druk op de knop.
7. Gebruik de knop en selecteer **3. Exit** (Annuleren).
8. Druk op de knop.

Dit maakt een back-up naar het interne geheugen en bevat GEEN opgenomen scènes. Het gebruik van de webserver back-upmethode is nodig om een back-up te maken naar een externe bron.

Firmwareversie

Deze functie toont de firmwareversie van het product.

1. Gebruik de knop en selecteer **12. Firmware Version**.
2. Druk op de knop. De firmwareversie wordt getoond: **B1.0 V1.6**.
3. Druk op de knop. (Annuleren).

Annuleren


Deze functie sluit het menu van het hoofdscherm af.

1. Gebruik de knop en selecteer **13. Exit**.
2. Druk op de knop. Het product gaat terug naar het startscherm.

Web Server

De Net-X II Web Server kan geopend worden met elke computer dat op hetzelfde netwerk als het product is. Het biedt netwerktoegang tot systeeminformatie, instellingen zoals besturingsinstellingen, back-up, handmatig testen van alle functies en firmware-updates. Voor toegang tot de webbrowser:

1. Sluit het product met een netwerkkabel aan op een Windows-computer.
2. Vul het IP-adres van het product in de URL-balk van een webbrowser op de computer in en druk op enter.



NET-X V2

Version 1.0

Device Setting	
Device Name	NET-X V2
IP Mode	Static IP ▼
Ip Address	2.37.110.49
Net Mask	255.0.0.0 ▼
Operating Mode	8 Port ▼
User Presets	Art-net 8-port DMX ▼
Firmware Version	B1.0 V0.7

DMX Port 01		DMX Port 02		DMX Port 03		DMX Port 04	
Port Mode	Output ▼	Port Mode	Output ▼	Port Mode	Output ▼	Port Mode	Output ▼
DMX Merge	OFF ▼	DMX Merge	OFF ▼	DMX Merge	OFF ▼	DMX Merge	OFF ▼
Protocol	ArtNet ▼	Protocol	ArtNet ▼	Protocol	ArtNet ▼	Protocol	ArtNet ▼
Universe	0	Universe	1	Universe	2	Universe	3

DMX Port 05		DMX Port 06		DMX Port 07		DMX Port 08	
Port Mode	Output ▼	Port Mode	Output ▼	Port Mode	Output ▼	Port Mode	Output ▼
DMX Merge	OFF ▼	DMX Merge	OFF ▼	DMX Merge	OFF ▼	DMX Merge	OFF ▼
Protocol	ArtNet ▼	Protocol	ArtNet ▼	Protocol	ArtNet ▼	Protocol	ArtNet ▼
Universe	4	Universe	5	Universe	6	Universe	7

Setting backup & upload

Please select file.

Choose File: No file chosen

© 2017 CHAUVET Professional Legal Terms
For help please see user manual located at www.chauvetprofessional.com

Werking

Overzicht Web Server

Device Setting	
Device Name	NET-X V2
IP Mode	Static IP
Ip Address	2.32.108.49
Net Mask	255.0.0.0
Operating Mode	2 + 8 Port
User Presets	Art-net 8-port DMX
Firmware Version	B.1.0 V1.4

Selecteer apparaatnaam
 Selecteer of handmatige IP-modus
 Selecteer IP-modus
 Selecteer Netmask
 Selecteer bedieningsmodus
 Selecteer gebruikersvoorkeuren
 Toont de firmware

Overzicht DMX Poort - Ingangstatus

DMX Port 01	
Port Status	Input
Port Mode	Normal
Protocol	ArtNet
1st Universe	0 DEC

Selecteert poortmodus
 Selecteert HTP of LTP
 Selecteert Protocol
 Selecteert DEC of HEX
 Selecteert Universum

Overzicht DMX Poort - Uitgangstatus

DMX Port 02	
Port Status	Output
Port Mode	HTP
Protocol	ArtNet
Frame Rate	40HZ
1st Universe	0 DEC
2nd Universe	9 DEC
Resend 2 Net-U	17 DEC

Opties worden alleen weergegeven als Uitgangstatus is geselecteerd en HTP of LTP als Port-modus.

Selecteert poortmodus
 Selecteert HTP of LTP
 Selecteert Protocol
 Selecteert snelheid van het frame
 Selecteert 1st Universum
 Selecteert DEC of HEX voor 1st universum
 Selecteert DEC of HEX voor 2nd universum
 Selecteert 2nd Universum
 Selecteert DEC of HEX voor opnieuw versturen
 Selecteert opnieuw versturen

Firmware-update/backup

De Net-X II heeft een back-upinstelling waarmee het product configuraties kan opslaan en laden van de webserver. De Net-X II heeft ook firmware-upgrades waarmee het product naar de nieuwste firmware geüpdatet kan worden. Volg de onderstaande instructies om deze functies te gebruiken:



5. Technische Informatie

Product Onderhoud

Voor het behoud van optimale prestaties en om slijtage te minimaliseren, moeten dit u product regelmatig reinigen. Het gebruik en de omgeving zijn factoren die bijdragen aan het bepalen van de schoonmaakfrequentie.

Als vuistregel moet het product ten minste tweemaal per maand gereinigd worden. De ophoping van stof verlaagt de lichtemissieprestaties en kan oververhitting veroorzaken. Dit kan leiden tot een kortere levensduur van de lichtbron en verhoogde mechanische slijtage.

Voor het reinigen van uw product:

1. Haal het apparaat van de stroom.
2. Wacht totdat het product op kamertemperatuur is.
3. Gebruik een stofzuiger (of droge perslucht) en een zachte borstel om opgehoopt stof van de externe ventilatiegaten te verwijderen.
4. Reinig alle uitwendige oppervlakken met een milde oplossing van glasreiniger zonder ammonia of isopropylalcohol.
5. Pas de schoonmaakoplossing direct toe op een zachte, pluisvrije katoenen doek of een brillendoekje.
6. Veeg vuil voorzichtig naar de buitenranden van het lensoppervlak.
7. Poets de lensoppervlakken voorzichtig totdat het vrij is van waas en pluisjes.



Droog de externe oppervlakken altijd grondig en voorzichtig na het reinigen.

6. Technische Specificaties

Afmetingen en gewicht

LENGTE	BREEDTE	HOOGTE	GEWICHT
483 mm (19 in)	158 mm (6,22 in)	44 mm (1,73 in)	2,1 kg (4,6 lb)

Let op: Afmetingen in inches moeten worden afgerond naar de dichtstbijzijnde decimaal

Vermogen

TYPE VOEDINGSMODULE	BEREIK	SPANNINGSELECTIE
Schakeling (intern)	100 tot 240 VAC, 50/60 Hz	Automatisch wisselend bereik

PARAMETER	120 VAC, 60 Hz	208 VAC, 60 Hz	230 VAC, 50 Hz
Verbruik	11 W	14W	14 W
Stroomsterkte	0,09 A	0,06 A	0,06 A

STROOM I/O	VS/CANADA	WERELDWIJD
Stroomingangstekker	Neutrik® powerCON® A	Neutrik® powerCON® A
Stroomsnoerstekker	Edison (VS)	Stroomsnoerstekker

Aansluitingen

INGANG	UITGANG/INGANG (TOEWIJSBAAR)	Datadoorvoer
Neutrik® etherCON® (1)	5-pin XLR (8 total)	Neutrik® etherCON® (1)
5-pin XLR (2)		

Thermisch

MAXIMUM EXTERNE TEMPERATUUR	KOELSYSTEEM
40 °C (104 °F)	Convectie

Bestellen

PRODUCTBESCHRIJVING	PRODUCTNAAM	ARTIKELCODE	UPC NUMMER
Net-X II	NETXII	09111455	781462218034



RoHS



Retouren

Stuur het product gefrankeerd, in de originele doos en met de originele verpakking en accessoires op. Chauvet geeft geen retourstickers af.

Bel Chauvet en vraag om een retouropdrachtformulier (RMA)-nummer vóór het verzenden van het product. Zorg dat u het modelnummer, serienummer en een korte beschrijving van de retouroorzaak bij de hand hebt.

Om online een serviceverzoek in te dienen gaat u naar www.chauvetprofessional.com/service-request.

Label het pakket duidelijk zonder een RMA-nummer. Chauvet weigert producten die worden geretourneerd met een RMA-nummer.



Schrijf het RMA-nummer op een voldoende bevestigd etiket. Schrijf het RMA-nummer NIET direct op de doos.

Zodra u een RMA-nummer hebt, meld dan de volgende informatie op een stukje papier binnen de doos:

- Uw naam:
- Uw adres:
- Uw telefoonnummer
- RMA-nummer
- Een korte beschrijving van het probleem

Zorg ervoor dat u het product voldoende inpakt. Alle verzendschade die resulteert uit onvoldoende verpakking is uw verantwoordelijkheid. FedEx-verpakking of dubbele dozen worden aanbevolen.



Chauvet behoudt zich het recht voor om (het) geretourneerde product(en) naar eigen inzicht te repareren of te vervangen.

Neem contact op

Wereldwijd hoofdkantoor	
Algemene Informatie	Technische support
Adres: 5200 NW 108th Ave. Sunrise, FL 33351 Bandopname: (954) 577-4455 Fax: (954) 929-5560 Toll Free: (800) 762-1084	Bandopname: (844) 393-7575 Fax: (954) 756-8015 E-mail: chauvetcs@chauvetlighting.com
	Website www.chauvetprofessional.com
EUROPA	
Algemene Informatie	Technische support
Adres: Stokstraat 18 9770 Kruishoutem Belgium Bandopname: +32 9 388 93 97	E-mail: eutech@chauvetlighting.eu
	Website www.chauvetprofessional.eu
Algemene Informatie	
Algemene Informatie	Technische support
Adres: Unit 1C Brookhill Road Industrial Estate Pinxton, Nottingham, UK NG16 6NT Bandopname: +44 (0) 1773 511115 Fax: +44 (0) 1773 511110	E-mail: uktech@chauvetlighting.com
	Website www.chauvetprofessional.eu
MEXICO	
Algemene Informatie	Technische support
Adres: Av. de las Partidas 34 - 3B, Zona Industrial Lerma (Entrance by Calle 2) Lerma, Edo. de México, CP 52000 Bandopname: +52 (728) 690-2010	E-mail: servicio@chauvet.com.mx
	Website www.chauvetprofessional.mx

Bezoek de toepasselijke website hierboven om onze contactgegevens te verifiëren en de instructies te bekijken om ondersteuning te vragen. Buiten de VS, het Verenigd Koninkrijk, Duitsland, Frankrijk, Ierland, Mexico of de Benelux kunt u contact opnemen met de officiële distributeur.