

# OVATION

## E-4 WW IP

### User Manual



\*Lens tube sold separately

Model ID: OVATIONE4WWIP

## Edition Notes

The Ovation E-4WW IP User Manual includes a description, safety precautions, installation, programming, operation and maintenance instructions for the Ovation E-4WW IP as of the release date of this edition.

## Trademarks

Chauvet, Chauvet Professional, the Chauvet logo, and Ovation are registered trademarks or trademarks of Chauvet & Sons, LLC (d/b/a Chauvet and Chauvet Lighting) in the United States and other countries. Other company and product names and logos referred to herein may be trademarks of their respective companies.

## Copyright Notice

The works of authorship contained in this manual, including, but not limited to, all designs, text, and images are owned by Chauvet.

© Copyright 2024 Chauvet & Sons, LLC. All rights reserved.

Electronically published by Chauvet in the United States of America.

## Manual Use

Chauvet authorizes its customers to download and print this manual for professional information purposes only. Chauvet expressly prohibits the usage, copy, storage, distribution, modification, or printing of this manual or its content for any other purpose without written consent from Chauvet.

## Document Printing

For best results, print this document in color, on letter size paper (8.5 x 11 in), double-sided. If using A4 paper (210 x 297 mm), configure the printer to scale the content accordingly.

## Intended Audience

Any person installing, operating, and/or maintaining this product should completely read through the guide that shipped with the product, as well as this manual, before installing, operating, or maintaining this product.

## Disclaimer

Chauvet believes that the information contained in this manual is accurate in all respects. However, Chauvet assumes no responsibility and specifically disclaims any and all liability to any party for any loss, damage or disruption caused by any errors or omissions in this document, whether such errors or omissions result from negligence, accident or any other cause. Chauvet reserves the right to revise the content of this document without any obligation to notify any person or company of such revision, however, Chauvet has no obligation to make, and does not commit to make, any such revisions.

## Document Revision

Go to [www.chauvetprofessional.com](http://www.chauvetprofessional.com) for the latest version.

Revision	Date	Description
3	06/2024	Added new item to the Features section

**TABLE OF CONTENTS**

**1. Before You Begin** ..... 1

    What Is Included ..... 1

    Claims ..... 1

    Manual Conventions ..... 1

    Symbols ..... 1

    Safety Notes..... 2

    FCC Statement of Compliance ..... 3

    Expected LED Lifespan..... 3

**2. Introduction** ..... 4

    Description ..... 4

    Features ..... 4

    Lens Tube ..... 4

    Product Overview ..... 5

    Product Dimensions ..... 6

**3. Setup** ..... 7

    AC Power ..... 7

        AC Plug ..... 7

        Power Linking..... 7

    DMX Linking..... 7

        DMX Personalities..... 7

        Remote Device Management..... 7

    Master/Slave Connectivity..... 8

    USB Software Update ..... 9

    Force Upload..... 9

    Mounting ..... 10

        Orientation..... 10

        Rigging ..... 10

        Procedure..... 10

        Adjustable Yoke ..... 10

    Soft Focus Filter ..... 11

    Manual Beam Focus Control..... 11

    Rotating the Barrel Assembly..... 11

    Accessory Slot ..... 12

**4. Operation** ..... 13

    Control Panel Description ..... 13

    Control Options ..... 13

    Programming..... 13

    Control Panel Lock..... 13

    Passcode ..... 13

    Menu Map ..... 14

    Standalone Configuration..... 15

        Static Mode ..... 15

        Focus Mode ..... 15

        Auto Programs ..... 15

        Gobo Rotator..... 15

Master/Slave .....	16
Dimmer Curve .....	16
Dimmer Profiles.....	16
LED Frequency .....	16
Fan Mode .....	16
Back Light .....	16
System Information .....	16
Factory Reset.....	16
DMX Configuration.....	17
DMX Personalities.....	17
DMX Control.....	17
DMX Values .....	17
<b>5. Maintenance.....</b>	<b>18</b>
Product Maintenance .....	18
<b>6. Technical Specifications .....</b>	<b>19</b>
<b>Contact Us .....</b>	<b>20</b>
Warranty & Returns.....	20

## Before You Begin

# 1. Before You Begin

## What Is Included

- Ovation E-4WW IP
- Seetronic Powerkon power cable
- Quick Reference Guide

## Claims

Carefully unpack the product immediately and check the container to make sure all the parts are in the package and are in good condition.




If the box or the contents (the product and included accessories) appear damaged from shipping, or show signs of mishandling, notify the carrier immediately, not Chauvet. Failure to report damage to the carrier immediately may invalidate a claim. In addition, keep the box and contents for inspection.

For other issues, such as missing components or parts, damage not related to shipping, or concealed damage, file a claim with Chauvet within 7 days of delivery.

## Manual Conventions

Convention	Meaning
1–512	A range of values
50/60	A set of values of which only one can be chosen
<SET>	A button on the product's control panel
Settings	A product function or a menu option

## Symbols

Symbol	Meaning
	Critical installation, configuration, or operation information. Not following these instructions may make the product not work, cause damage to the product, or cause harm to the operator.
	Important installation or configuration information. The product may not function correctly if this information is not used.
	Useful information.



**Any reference to data or power connections in this manual assumes the use of Seetronic IP rated cables.**



**The term “DMX” used throughout this manual refers to the USITT DMX512-A digital data transmission protocol.**

## Safety Notes

Read all the following safety notes before working with this product. These notes contain important information about the installation, usage, and maintenance of this product.



**This product contains no user-serviceable parts. Any reference to servicing in this User Manual will only apply to properly trained, certified technicians. Do not open the housing or attempt any repairs.**



**All applicable local codes and regulations apply to proper installation of this product.**

- The luminaire is intended for professional use only.
- The luminaire should be positioned so that prolonged staring into the luminaire at a distance closer than 10 ft (3.0 m) is not expected.
- If the external flexible cable or cord of this luminaire is damaged, it shall be replaced by a special cord or cord exclusively available from the manufacturer or its service agent.
- The light source contained in this luminaire shall only be replaced by the manufacturer or its service agent or a similar qualified person.
- **CAUTION:**
  - This product's housing may be hot when operating. Mount this product in a location with adequate ventilation, at least 20 in (50 cm) from adjacent surfaces.
  - When transferring the product from extreme temperature environments, (e.g., cold truck to warm humid ballroom) condensation may form on the internal electronics of the product. To avoid causing a failure, allow the product to fully acclimate to the surrounding environment before connecting it to power.
  - Flashing light is known to trigger epileptic seizures. User must comply with local laws regarding notification of strobe use.
- **ALWAYS:**
  - When using an IP65-rated product in an outdoor environment, use IP65- (or higher) rated power and data cable.
  - Replace and secure IP-rated protective covers to all power, data, USB, or other ports when not in use.
  - Use a safety cable when mounting this product overhead.
  - Connect this product to a grounded and protected circuit.
- **DO NOT:**
  - Open this product. It contains no user-serviceable parts.
  - Look at the light source when the product is on.
  - Leave any flammable material within 50 cm of this product while operating or connected to power.
  - Connect this product to a dimmer or rheostat.
  - Operate this product if the housing, lenses, or cables appear damaged.
  - Submerge this product (adhere to standards for the published IP rating). Regular outdoor operation is fine.
  - Permanently install outdoors in locations with extreme environmental conditions. This includes, but is not limited to:
    - Exposure to a marine/saline environment (within 3 miles of a saltwater body of water).
    - Locations where normal temperatures exceed the temperature ranges in this manual.
    - Locations that are prone to flooding or being buried in snow.
    - Other areas where the product will be subject to extreme radiation or caustic substances.
  - **ONLY** use the hanging/mounting bracket to carry this product.
  - The maximum ambient temperature is 113 °F (45 °C). Do not operate this product at higher temperatures.
  - The minimum startup temperature is -4°F (-20°C). Do not start the product at lower temperatures.
  - The minimum ambient temperature is -22°F (-30°C). Do not operate the product at lower temperatures.
  - To eliminate unnecessary wear and improve its lifespan, during periods of non-use completely disconnect the product from power via breaker or by unplugging it.
  - In the event of a serious operating problem, stop using immediately.



**If a Chauvet product requires service, contact Chauvet Technical Support.**

## Before You Begin

---

### FCC Statement of Compliance

This device complies with Part 15 Part B of the FCC rules. Operation is subject to the following two conditions:

1. This device may not cause harmful interference, and
2. This device must accept any interference received, including interference that may cause undesired operation.

This equipment has been tested and found to comply with the limits for a Class B digital device, pursuant to Part 15 of the FCC Rules. These limits are designed to provide reasonable protection against harmful interference in a residential installation. This equipment generates uses and can radiate radio frequency energy and, if not installed and used in accordance with the instructions, may cause harmful interference to radio communications. However, there is no guarantee that interference will not occur in a particular installation. If this equipment does cause harmful interference to radio or television reception, which can be determined by turning the equipment off and on, the user is encouraged to try to correct the interference by one or more of the following measures:

- Reorient or relocate the receiving antenna.
- Increase the separation between the equipment and receiver.
- Connect the equipment into an outlet on a circuit different from that to which the receiver is connected.
- Consult the dealer or an experienced radio/TV technician for help.

Any changes or modifications not expressly approved by the party responsible for compliance could void the user's authority to operate the equipment.

### Expected LED Lifespan

Over time, use and heat will gradually reduce LED brightness. Clustered LEDs produce more heat than single LEDs, contributing to shorter lifespans if always used at full intensity. The average LED lifespan is 40,000 to 50,000 hours. To extend LED lifespan, maintain proper ventilation around the product, and limit the overall intensity.

## 2. Introduction

### Description

The Ovation E-4WW IP is a high-powered warm white ellipsoidal light that projects a flat, even field. Standard framing shutters, a gobo/effect slot, and interchangeable lens barrels provide versatility to fit any application. The Ovation E-4WW IP is IP65 rated and features IP rated power and DMX connections. Selectable dimming curves ensure smooth fading cues that intermix well with the output of conventional theatre ellipsoidal lights.

### Features

- Operating modes:
  - 2-channel: dimmer control, gobo rotate
  - 3-channel: dimmer and fine dimmer control, gobo rotate
  - 4-channel: dimmer, fine dimmer, and strobe control, gobo rotate
  - 7-channel: dimmer, fine dimmer, strobe control, auto programs, auto speed, control, gobo rotate
- Warm white ERS-style fixture with output exceeding a tungsten 750 W source
- Fully IP65 rated for seasonal use indoors or out
- Use of our standard Ovation beam shaping shutters and lenses lends familiarity and ease of use to the fixture
- Ultra smooth 18-bit dimming curves and speed to complement any lighting scheme
- Flat, even field of light for superior gobo projection
- RDM (Remote Device Management) for added flexibility
- Adjustable PWM (Pulse Width Modulation) to avoid flickering on camera

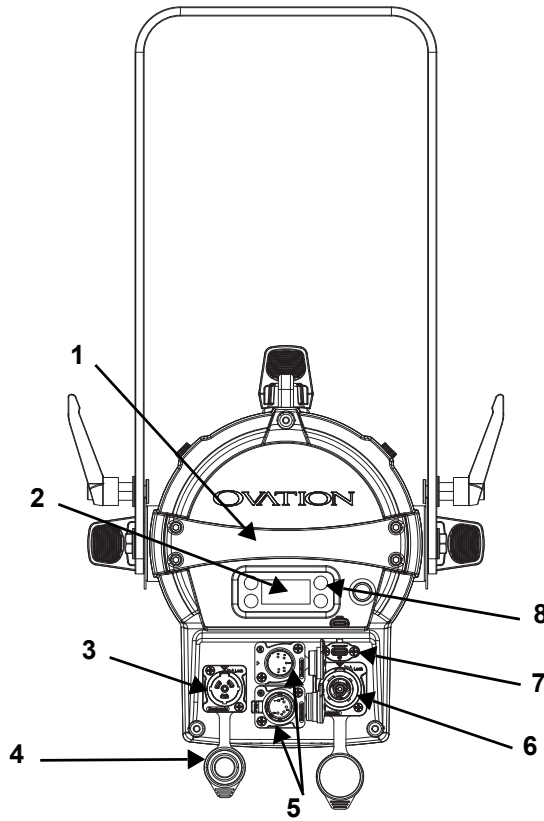
### Lens Tube

The following lens tubes are available for purchase:

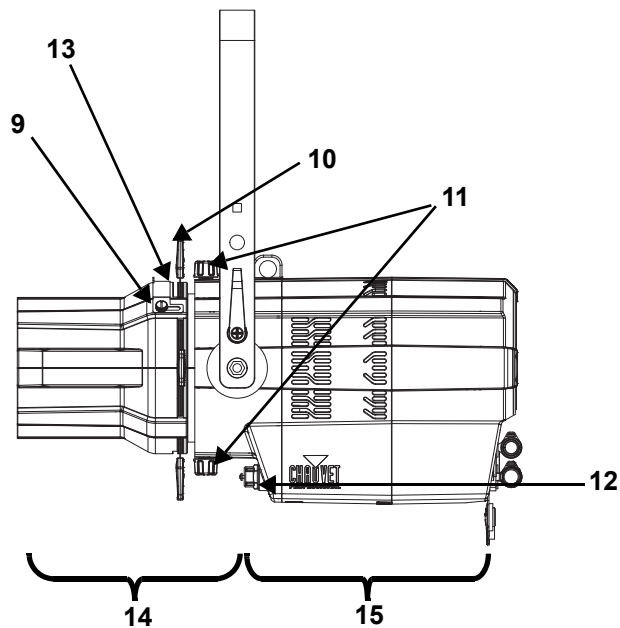
- 5° w/ gel frame (14 in/356 mm accessories)
- 10° w/ gel frame (12 in/304 mm accessories)
- 14° w/ gel frame (7.5 in/191 mm accessories)
- 19° w/ gel frame (6.25 in/159 mm accessories)
- 26° w/ gel frame (6.25 in/159 mm accessories)
- 36° w/ gel frame (6.25 in/159 mm accessories)
- 50° w/ gel frame (6.25 in/159 mm accessories)
- 15°–30° w/ gel frame (7.5 in/191 mm accessories)
- 25°–50° w/ gel frame (7.5 in/191 mm accessories)



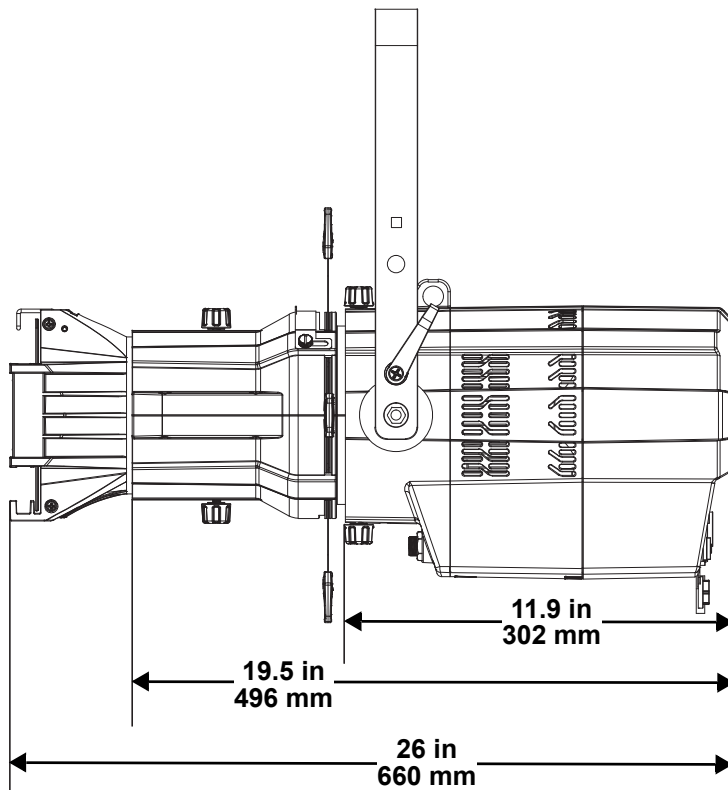
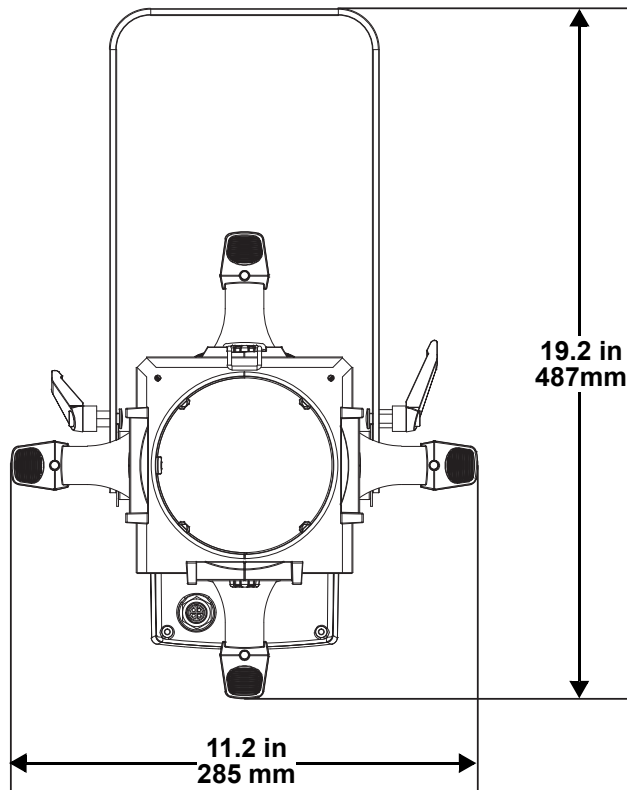
Product Overview



#	Name
1	Handle
2	Display
3	Seetronic Powerkon in
4	IP-rated plug cover
5	5-pin DMX in/out
6	Seetronic Powerkon out
7	USB port
8	Menu buttons
9	Accessory slot
10	Framing shutter (x4)
11	Barrel rotation knobs
12	Ovation GR-1 IP power/signal out
13	Pattern holder slot (A-sized holder for 3 inch patterns, B-sized holder for 2.5 and 2.75 inch patterns; sold separately)
14	Barrel assembly
15	Light engine



**Product Dimensions**



# 3. Setup

## AC Power

The Ovation E-4WW IP has an auto-ranging power supply and it can work with an input voltage range of 100 to 240 VAC, 50/60 Hz.

To determine the product's power requirements (circuit breaker, power outlet, and wiring), use the current value listed on the label affixed to the product's back panel, or refer to the product's specifications chart. The listed current rating indicates the product's average current draw under normal conditions.



- **Always connect the product to a protected circuit (a circuit breaker). Ensure the product has an appropriate electrical ground to avoid the risk of electrocution or fire.**
- **To eliminate unnecessary wear and improve its lifespan, during periods of non-use completely disconnect the product from power via breaker or by unplugging it.**



**Never connect the product to a rheostat (variable resistor) or dimmer circuit, even if the rheostat or dimmer channel serves only as a 0 to 100% switch.**

## AC Plug

The Ovation E-4WW IP comes with a power input cable terminated with a Seetronic Powerkon A connector on one end and an Edison plug on the other end (U.S. market). If the power cable which came with the product has no plug, or if the plug needs to be changed, use the table below to wire a plug.

Connection	Wire (U.S.)	Wire (Europe)	Screw Color
AC Live	Black	Brown	Yellow or Brass
AC Neutral	White	Blue	Silver
AC Ground	Green/Yellow	Green/Yellow	Green

## Power Linking

It is possible to power link Ovation E-4WW IP products. See the table below for the current draw at each voltage and frequency:

	100 V, 60 Hz	120 V, 60 Hz	208 V, 60 Hz	230 V, 50 Hz	240 V, 60 Hz
<b>Current Draw</b>	4.34 A	3.57 A	2.0 A	1.81 A	1.73 A

Never exceed 12 A on a single circuit. Power-linking cables can be purchased separately.



- **To preserve the IP65 rating and the warranty of this product Seetronic Powerkon cables must be used.**
- **Insert the attached IP65 rated plugs into the corresponding power/data connections when not in use.**

## DMX Linking

The Ovation E-4WW IP can be linked to a DMX controller using a 5-pin DMX connection. If using other DMX-compatible products with this product, it's possible to control each individually with a single DMX controller.

## DMX Personalities

The Ovation E-4WW IP uses a 5-pin DMX data connection for the **2 Ch**, **3 CH**, **4 Ch**, and **7 Ch**, DMX personalities.

- Refer to the [Introduction](#) for a brief description of each DMX personality.
- Refer to the [Operation](#) chapter to learn how to configure the Ovation E-4WW IP to work in these personalities.
- The [DMX Personalities](#) section provides detailed information regarding the DMX personalities.



**For information about DMX standards, Master/Slave connectivity, or the DMX cables needed to link this product to a DMX controller, download the DMX Primer from the Chauvet website: [www.chauvetprofessional.com](http://www.chauvetprofessional.com).**

## Remote Device Management

Remote Device Management, or RDM, is a standard for allowing DMX-enabled devices to communicate bi-directionally along existing DMX cabling. Check the DMX controller's User Manual or with the manufacturer as not all DMX controllers have this capability. The Ovation E-4WW IP supports RDM protocol that allows feedback to make changes to menu map options.

## Master/Slave Connectivity

The Master/Slave mode allows an Ovation E-4WW IP (the master) to control one or more Ovation E-4WW IP products (the slaves) without a DMX controller. Once Ovation E-4WW IP becomes the master when running an auto or custom program, or in Static mode.

Each slave's control panel must be configured to operate in Slave mode. During Master/Slave operation, the slaves will operate in unison with the master.



**DO NOT connect a DMX controller to products operating in Master/Slave mode. The DMX controller signals may interfere with the signals from the master.**



- The [Operation](#) section of this manual provides detailed instructions on how to configure the master and slaves.
- For more information about DMX standards or the DMX cables needed to link this product to a DMX controller, download the DMX primer from the Chauvet website: [www.chauvetprofessional.com](http://www.chauvetprofessional.com).



- To preserve the IP65 rating and the warranty of this product, IP65 data cables must be used.
- Insert the attached IP65 rated plugs into the corresponding power/data connections when not in use.

## USB Software Update

The Ovation E-4WW IP allows for software updates with a USB device using the built-in USB port. To update the software using a USB flash drive, do the following:

1. Power on the product, and plug the flash drive into the USB port.
2. Once the flash drive has been detected, the message “**Upgrade Firmware**” will be displayed. Press <ENTER>. If a different message appears on the display, search for the updated software in the main menu (**Update Firmware**) and select from **Only This Unit**, **Multiple Fixture**, or **Other Fixture Type**. A list of the updated software files will be displayed.



The “**Other Fixture Type**” option can only be selected for connected products compatible with the Upload 03 (the first 2 digits of the item code must be 03).

3. Select the file that needs to be uploaded. The message “**Are you sure?**” will be displayed. Press <ENTER>.



If the selected file is incorrect, the upgrade will fail, and the display will go back to the main interface. Repeat steps 1–3 using the correct file.

4. If the selected file is correct, the upgrade will start. **DO NOT** turn off the power or disconnect the USB during the process. USB update can take several minutes to complete.
5. When the update is completed, the fixture will automatically reboot.
6. Go to Fixture Information on the product’s menu map and confirm the firmware revision.
7. When the boot-up process is finished, restart the product.



- Place the .chl file in the root directory of the USB drive.
- The product’s USB port supports up to 32GB capacity and only works with FAT32 file format.



Turning off the power, removing the USB, or not setting the fixture to the correct protocol during the update can cause partial or total firmware failure in the targeted fixture(s). Please refer to [Force Upload](#) section to fix firmware failure issues.

## Force Upload

A Force Upload is done whenever a software update fails due to accidental removal of the USB flash drive, incorrect control protocol, or loss of power during a regular software update process.



- A Force Upload process requires a target fixture (the fixture that needs a Force Upload and a main fixture (the fixture that controls the upload process).
- The Force Upload process can only be done one target fixture at a time.

To do a Force Upload, follow the instructions below:

1. Link the target fixture to the main fixture via a DMX 5-pin connection. Ensure that the target fixture is turned off.
2. Turn on the main fixture and set its protocol to **DMX512**.
3. Plug the flash drive into the USB-C port of the main fixture.
4. Go to Upgrade Firmware on the menu map.
5. Choose between **Multiple Fixture** and **Other Fixture Type**. Press <ENTER>.
  - **Multiple Fixture:** Both the target fixture and main fixture are from the same product line (e.g., 2 Ovation E-4WW IP fixtures).
  - **Other Fixture Type:** The target fixture and main fixture are from different product series (e.g., a Ovation E-4WW IP as the target fixture and a Maverick Silens 2 Profile as the main fixture).
6. Select the file that needs to be uploaded. The message “**Are you sure?**” will appear on the screen. Press <ENTER>. Turn on the target fixture within 1–2 seconds of pressing <ENTER>. The display on the target fixture should remain off.
  - a. The main fixture will show the update progress (0–100%).
  - b. The target fixture’s display will turn on, and a notification “<UPDATE>” will appear on the screen.



The timing of when the target fixture’s display will turn on varies from fixture to fixture.

7. **DO NOT** turn off power or remove the USB flash drive. Once the software is done uploading, the target fixture will automatically reboot.
8. Go to the target fixture’s main menu and confirm that the firmware version has been updated.
9. Reboot the target fixture.

## Mounting

Before mounting the product, read and follow the safety recommendations indicated in the Safety Notes. For our Chauvet Professional line of mounting clamps, go to <http://trusst.com/products/>.

### Orientation

Always mount this product in a safe position, making sure there is adequate room for ventilation, configuration, and maintenance.

### Rigging

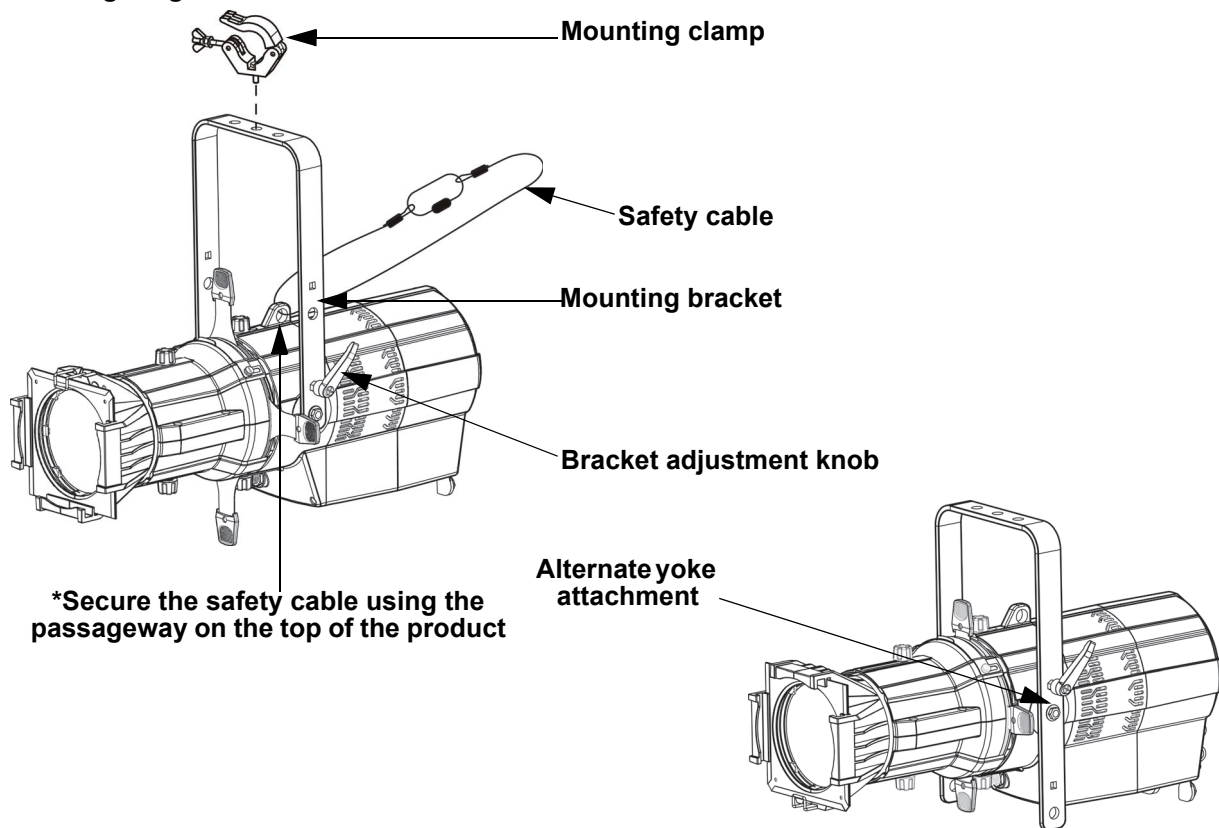
Chauvet recommends using the following general guidelines when mounting this product.

- Before deciding on a location for the product, make sure there is easy access to the product for maintenance and programming purposes.
- Make sure that the structure onto which the product is being mounted can support the product's weight (see the [Technical Specifications](#) for weight information).
- When mounting the product overhead, always use a safety cable. Mount the product securely to a rigging point, whether an elevated platform or a truss.
- When rigging the product onto a truss, use a mounting clamp of appropriate weight capacity.

### Procedure

The Ovation E-4WW IP comes with a hanging/mounting bracket to which a mounting clamps can be attached. The bracket has 13-mm holes, which are appropriate for this purpose. Make sure the clamp is capable of supporting the weight of this product. Use at least one mounting point per product where necessary. For the Chauvet Professional line of mounting clamps, go to <http://www.trusst.com/products>.

### Mounting Diagram



### Adjustable Yoke

The Ovation E-4WW IP comes with an adjustable yoke for mounting in low-clearance areas. To modify the height of the yoke, do the following:

1. Loosen the yoke adjustment knob.
2. On each side of the product remove the bolt attaching the plate to the yoke.
3. Adjust the position of the yoke to one of the two mounting points.
4. Put the bolts back in place, and tighten them and the yoke adjustment knobs.

### Soft Focus Filter

The Ovation E-4WW IP comes with a soft focus filter. To keep the soft focus filter in good condition:

- Ensure that no fingerprints are left on the filter, as this may cause the filter to heat unevenly and eventually warp.
- When placing the filter in the holder, follow the orientation direction printed on the filter.
- When inserting shutter blades into the light path, note that the heat is reflected back at the filter. The deeper the blades are inserted, and the longer the fixture runs, the more heat gets reflected on to the filter, causing it to warp and potentially adhere to the shutter blades.



**If there is a protective film on the soft-focus filter, it must be removed before use. The filter is in a holder in the metal gobo slot.**

### Manual Beam Focus Control

The Ovation E-4WW IP has a manual focus, which is adjusted as follows:

1. Locate the focus knobs at the bottom of the product.
2. Loosen the knobs by turning them counterclockwise.
3. Slide the lens tube forward or backward until the desired focus or beam edge is achieved.
4. Tighten the knobs by turning them clockwise, which locks the lenses in position.



**To avoid changing menu settings while focusing the Ovation E-4WW IP, press and hold the <FOCUS MODE> button for 3 seconds. This will put the product in Focus Mode, by increasing the intensity to 100%. To exit out of Focus Mode, press <MENU>.**

### Rotating the Barrel Assembly

The Ovation E-4WW IP allows manual rotation of the barrel assembly, as follows:

1. Locate the barrel rotation knobs at the top and bottom of the light engine.
2. Loosen the knobs by turning them counter-clockwise.
  - Note: Do not remove the knobs.
3. Rotate the barrel to the desired position, up to 25° in either direction from the centered position.
4. Tighten the knobs by turning them clockwise, which lock the barrel's position.

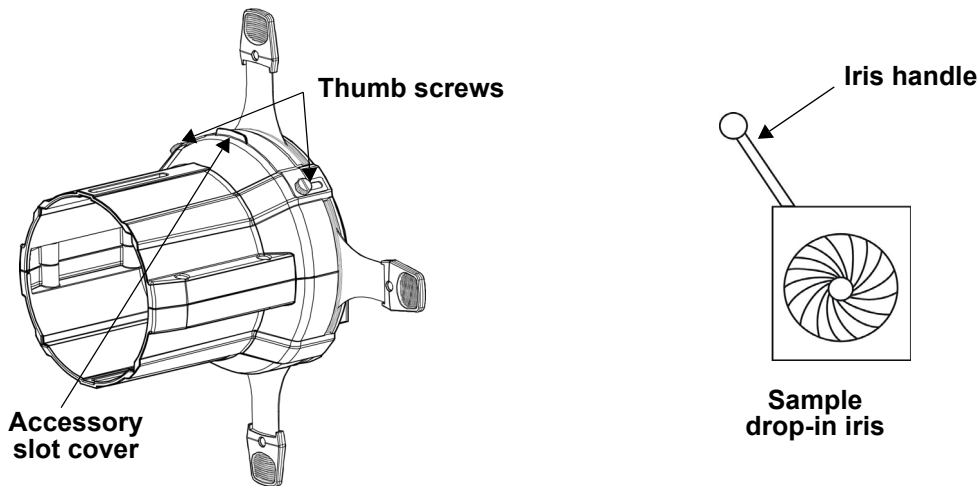


**Make sure the barrel assembly is oriented with the pattern holder and accessory slots at the top of the product.**

## Accessory Slot

The Ovation E-4WW IP has an accessory slot, which holds a drop-in iris, a motorized pattern device, or various other optional accessories (sold separately).

1. Loosen the thumbscrews on the slot cover.
  - **Note:** Do not remove the thumbscrews.
2. Slide the cover forward.
3. Insert an accessory.
  - **Note:** Make sure to insert the accessory correctly. For example, make sure the iris handle extends upward from the slot.
4. Slide the cover back. Make sure any handles or adjustment tools that stick out the top are able to function correctly.
5. Tighten the thumbscrews to secure the cover.



- When not using the accessory slot, replace and secure the slot cover to prevent light leakage during operation.
- When obtaining any optional accessories, be sure the items are compatible with the Ovation E-4WW IP.



## 4. Operation

### Control Panel Description

Button	Function
<MENU>	Exits from the current menu or function
<ENTER>	Enables the currently displayed menu or sets the selected value into the function
<UP>	Navigates upwards through the menu list or increases the value when in a function
<DOWN>	Navigates downwards through the menu list or decreases the value when in a function

### Control Options

Set the Ovation E-4WW IP starting address in the **001-512** DMX range. This enables control of up to 7 products in the 7-channel **7Ch** personality.

### Programming

Refer to the Menu Map to understand the menu options. The menu map shows the main level and a variable number of programming levels for each option.

- To go to the desired main level, press **<MENU>** repeatedly until the option shows on the display. Press **<ENTER>** to select. This will show the first programming level for that option.
- To select an option or value within the current programming level, press **<UP>** or **<DOWN>** until the option shows on the display. Press **<ENTER>** to select. This will show the selected value or the first option of the next programming level.
- Press **<MENU>** repeatedly to exit to the previous main level.

### Control Panel Lock

This setting enables the user to activate or disable the control panel lock, which keeps unauthorized users from changing the product's settings.

1. Go to the **Key Lock** main level.
2. Select **On** or **Off**.



**When the control panel lock is activated, in order to access the products main programming level, the product will prompt for the passcode. Enter the passcode as described below.**

### Passcode

After being prompted to enter the passcode:

Press **<UP>**, **<DOWN>**, **<UP>**, **<DOWN>**, **<ENTER>**.

## Menu Map

Refer to the Ovation E-4WW IP product page on [www.chauvetprofessional.com](http://www.chauvetprofessional.com) for the latest software and menu map.

Main Level	Programming Levels		Description
DMX Address	<001–512>		Selects DMX address (highest channel restricted to personality chosen).
DMX Channel	2 Ch		2-channel: dimmer, gobo rotate
	3 Ch		3-channel: 16-bit dimmer, gobo rotate
	4 Ch		4-channel: 16-bit dimmer, strobe, gobo rotate
	7 Ch		7-channel: 16-bit dimmer, strobe, auto programs, auto speed, cover, gobo rotate
Static	Dimmer	<0–255>	Sets the intensity of the light output
	Strobe		Sets the strobe rate
Auto Show	Auto 1–4	<1–100>	Selects automatic programs and speed
Gobo Rotator	<0–255>		Rotating gobo index
Master/Slave Mode	Master		Master mode
	Slave		DMX slave mode
Dimmer Curve	SCurve		Sets the dimmer curve
	Linear		
	Square		
	Inverse Square		
Dimmer Mode	Off		Linear dimming
	Dimmer 1–3		Dimming curves: <b>Dimmer 1</b> (fast) to <b>Dimmer 3</b> (slow)
LED Frequency	600Hz		PWM frequency
	1200Hz		
	2000Hz		
	4000Hz		
	6000Hz		
	25KHz		
Fan Mode	Auto		Sets the fan to auto mode
	On		Sets the fan to always on
	Off		Sets the fan to always off
	Silent		Sets the fan to silent
Back Light	10S		Turns off display backlight after 10 seconds of inactivity
	30S		Turns off display backlight after 30 seconds of inactivity
	2Min		Turns off display backlight after 2 minutes of inactivity
	Always On		Display backlight always on
Key Lock	On		Locks display (password is <UP>, <DOWN>, <UP>, <DOWN>, <ENTER>)
	Off		
Gobo Power	On		Enables or disables gobo power output
	Off		
Information	Fixture Hours	____H	Shows total hours the product has been powered on
	LED Hours	____H	Shows total hours the LED has been powered on
	Version	V_._	Shows installed software version
	UID	_____	Shows product ID

Main Level	Programming Levels		Description
Upgrade Firmware	Only This Fixture	_____CHL	Selects an update file for this product, or shows "No such file!"
		...	
	Multiple Fixture	_____CHL	Selects an update file for this and connected Ovation E-4WW IP products, or shows "No such file!"
		...	
	Other Fixture Type	_____CHL	Selects an update file for other connected products, or shows "No such file!"
		...	
Reset Factory	No		Reset to factory defaults
	Yes		



When operating in Fan Mode: Off and Fan Mode: Silent, the fixture will become hotter to the touch than when using other fan modes. Use proper protective equipment to prevent burns. Keep a safe distance from flammable objects.



When operating in Fan Mode: Off and Fan Mode: Silent, output of the fixture will be reduced and will not reach the same levels as when using other fan modes.

## Standalone Configuration

Use standalone configuration to operate the product without a DMX controller.

### Static Mode

The Static mode allows for permanent dimmer and strobe presets without a DMX controller.

1. Go to the **Static** main level.
2. Select **Dimmer** or **Strobe**.
3. Select the desired value (**0–255**).

### Focus Mode

Focus mode allows for focusing of the Ovation E-4WW IP without changing any menu settings.

1. Press and hold **<ENTER>** for 3 seconds. The output intensity will increase to 100%.
2. Press **<MENU>** to exit focus mode and restore the settings.

### Auto Programs

Auto programs allow for dynamic blinder effects without a DMX controller.

1. Go to the **Auto Show** main level
2. Select the desired auto (**Auto 1–4**).
3. Select the desired speed (**1–100**).



The auto programs cannot be edited.

### Gobo Rotator

The gobo rotator mode controls the Ovation GR-1 IP rotation speed (for use with Ovation GR-1 IP, sold separately).

1. Go to the **Gobo Rotator** main level.
2. Select the desired value (**0–255**).

## Master/Slave

The Master/Slave mode allows a group of Ovation E-4WW IP products (the slaves) to simultaneously duplicate the output of another Ovation E-4WW IP (the master) without a DMX controller.

To set each of the slaves:

1. Go to the **Master/Slave** main level
2. Select **Slave**.

To set the master:

1. Go to the **Master/Slave** main level
2. Select **Master**.
3. Select an auto program as explained in Auto Programs, or a static setting.



- **The master is the one that runs a program whether in Auto or Static mode.**
- **Do not connect a DMX controller to the products configured for Master/Slave operation. The DMX controller may interfere with signals from the master.**
- **The master should be the first product in the daisy chain.**

## Dimmer Curve

To set the dimmer curve, follow the instructions below:

1. Go to the Dimmer Curve main level.
2. Select the desired option (**SCurve**, **Linear**, **Square**, or **Inverse Square**).

## Dimmer Profiles

This setting determines how fast the output of the Ovation E-4WW IP changes when the user modifies the output value. This setting provides four different options to simulate the dimming curve of an incandescent lighting product.

- Go to the **Dimmer Mode** main level.
- Select a dimmer curve (**OFF**, **Dimmer 1**, **Dimmer 2**, or **Dimmer 3**).



- **OFF:** The output is proportional (linear) to the dimmer channel value.
- **Dimmer 1-3:** The output follows the dimmer value based on the corresponding dimmer curve, DIM1 being the fastest.

## LED Frequency

This option changes the Pulse Width Modulation (PWM) frequency of the LEDs on the Ovation E-4WW IP.

1. Go to the **LED Frequency** main level.
2. Select PWM Frequency (**600Hz**, **1200Hz**, **2000Hz**, **4000Hz**, **6000Hz**, or **25Khz**).

## Fan Mode

This setting determines how the fan speed on the Ovation E-4WW IP is set.

1. Go to the **Fan Mode** main level
2. Select a fan mode (**Auto**, **On**, **Off**, or **Silent**).

## Back Light

This setting allows for selection of the amount of time the backlight on the Ovation E-4WW IP's display stays on after the last button is pressed on the control panel.

1. Go to the **Back Light** main level.
2. Select **10S** (10 seconds), **30S** (30 seconds), **2Min** (2 minutes), or **Always On** (remains on).

## System Information

This option displays the total number of hours the product has run, the installed software version, and the product's UID.

1. Go to the **Information** main level.
2. Select **Fixture Hours**, **LED Hours**, **Version**, or **UID**.

## Factory Reset

This option restores the Ovation E-4WW IP to factory default settings.

1. Go to the **Reset Factory** main level.
2. Select **No** or **Yes**.

## Operation

### DMX Configuration

Use DMX configurations to operate the product with a DMX controller.

#### DMX Personalities

This setting allows the user to choose a particular DMX personality.

1. Go to the **DMX Channel** main level.
2. Select the desired personality (**2 Ch**, **3 Ch**, **4 Ch**, or **7 Ch**).
  - See the [DMX Values](#) section for the highest starting address selectable for each personality.
  - Make sure that the starting addresses on the various products do not overlap due to the new personality setting.



#### DMX Control

In this mode, each product will respond to a unique starting address from the DMX controller. All products with the same starting address will respond in unison.

1. Select a DMX personality as shown in [DMX Personalities](#).
2. Set the starting address:
  - a. Go to **DMX Address** main level.
  - b. Select the starting address (**001–512**).

The highest recommended starting address for each DMX personality is as follows:

DMX Personality	DMX Address	DMX Personality	DMX Address
2 Ch	511	4 Ch	509
3 Ch	510	7 Ch	506

#### DMX Values

2 Ch	3 Ch	4 Ch	7 Ch	Function	Value	Percent/Setting
1	1	1	1	<b>Dimmer</b>	000 ⇔ 255	0–100%
–	2	2	2	<b>Fine dimmer</b>	000 ⇔ 255	0–100%
–	–	3	3	<b>Strobe</b>	000 ⇔ 010 011 ⇔ 255	No function Strobe, slow to fast
–	–	–	4	<b>Auto programs</b>	000 ⇔ 010 011 ⇔ 070 071 ⇔ 130 131 ⇔ 190 191 ⇔ 255	No function Auto program 1, slow to fast Auto program 2, slow to fast Auto program 3, slow to fast Auto program 4, slow to fast
–	–	–	5	<b>Auto speed</b>	000 ⇔ 255	Slow to fast
–	–	–	6	<b>Control</b> (hold for 3 seconds)	000 ⇔ 007 008 ⇔ 015 016 ⇔ 023 024 ⇔ 031 032 ⇔ 039 040 ⇔ 047 048 ⇔ 055 056 ⇔ 063 064 ⇔ 071 072 ⇔ 079 080 ⇔ 087 088 ⇔ 095 096 ⇔ 103 104 ⇔ 111 112 ⇔ 255	No function Dimmer reset S-curve dimmer Linear dimmer Square dimmer curve Inverse square dimmer curve Dimmer speed mode OFF Dimmer speed 1 (fastest) Dimmer speed 2 Dimmer speed 3 (slowest) Fan auto Fan on Fan off Fan silent Reserved for future use
2	3	4	7	<b>Gobo rotator</b>	000 ⇔ 127 128 ⇔ 190 191 ⇔ 192 193 ⇔ 255	Gobo index Clockwise, fast to slow Stop Counterclockwise, fast to slow

## 5. Maintenance

### Product Maintenance

Dust build-up reduces light output performance and can cause overheating. This can lead to reduction of the light source's life and/or mechanical wear. To maintain optimum performance and minimize wear, clean each lighting product at least twice a month. However, be aware that usage and environmental conditions could be contributing factors to increase the cleaning frequency.

To clean the product, follow the instructions below:

1. Unplug the product from power.
2. Wait until the product is at room temperature.
3. Use a vacuum (or dry compressed air) and a soft brush to remove dust collected on the external surface/vents.
4. Clean all transparent surfaces with a mild soap solution, ammonia-free glass cleaner, or isopropyl alcohol.
5. Apply the solution directly to a soft, lint free cotton cloth or a lens cleaning tissue.
6. Softly drag any dirt or grime to the outside of the transparent surface.
7. Gently polish the transparent surfaces until they are free of haze and lint.



**Always dry the transparent surfaces carefully after cleaning them.**

## 6. Technical Specifications

### Dimensions and Weight

	Length	Width	Height	Weight
Fixture only	19.5 in (496 mm)	11.2 in (285 mm)	19.2 in (487 mm)	21.6 lb (9.79 kg)
w/ 5° lens extended	40.4 in (1026 mm)	14.5 in (368 mm)	19.2 in (487 mm)	26.4 lb (11.9 kg)
w/ 10° lens extended	32.2 in (817 mm)	12.4 in (314 mm)	19.2 in (487 mm)	24.8 lb (11.2 kg)
w/ 14° lens extended	28.9 in (734 mm)	11.9 in (302 mm)	19.2 in (487 mm)	26.8 lb (12.1 kg)
w/ 19°/26°/36°/50° lens extended	26 in (660 mm)	11.9 in (302 mm)	19.2 in (487 mm)	25.6 lb (11.6 kg)
w/ 15°–30° lens	32.3 in (820 mm)	11.9 in (302 mm)	19.2 in (487 mm)	30.4 lb (13.7 kg)
w/ 25°–30° lens	25.1 in (637 mm)	11.9 in (302 mm)	19.2 in (487 mm)	27.4 lb (12.4 kg)

**Note:** Dimensions in inches rounded to the nearest decimal digit.

### Power

Power Supply Type	Range	Voltage Selection
Switching (internal)	100 to 240 VAC, 50/60 Hz	Auto-ranging

Parameter	100 V, 60 Hz	120 V, 60 Hz	208 V, 60 Hz	230 V, 50 Hz	240 V, 60 Hz
Consumption	433	428 W	416 W	416 W	413 W
Operating Current	4.34 A	3.57 A	2.0 A	1.81 A	1.73 A
Power linking current (products)	12.5 A (2 products)	12.5 A (3 products)	12.5 A (6 products)	12.5 A (6 products)	12.5 A (7 products)

Power I/O	U.S./Worldwide	UK/Europe
Power input connector	Seetronic Powerkon IP65	Seetronic Powerkon IP65
Power output connector	Seetronic Powerkon IP65	Seetronic Powerkon IP65
Power cord plug	Edison (U.S.)	Local plug

### Light Source

Type	Color	Quantity	Power	Current	Lifespan
LED	Warm White	1	400 W	12.5 A	50,000 hours

### Photometrics

Parameter	5° Lens	10° Lens	14° Lens	19° Lens	26° Lens	36° Lens	50° Lens	15°–30° Lens		25°–50° Lens	
								Narrow	Wide	Narrow	Wide
Illuminance @ 5 m (lux)	45,552	25,479	15,080	9,627	8,883	4,983	2,199	15,632	6,829	7,668	3,733
Lumens	13,989	16,250	17,524	16,766	21,213	21,219	20,831	15,302	19,171	21,049	20,936
Beam Angle	6.9°	9.9°	13.6°	17°	18.9°	25.2°	38.7°	12.3°	20.1°	21.2°	29.2°
Field Angle	9.3°	12.5°	16.6°	21°	27.1°	36.1°	53.1°	17.1°	30.4°	28.1°	41.4°

### Thermal

Maximum External Temperature	Minimum External Temperature	Minimum Startup Temperature	Cooling System
113 °F (45 °C)	-22°F (-30°C)	-4°F (-20°C)	Fan-assisted convection

### DMX

I/O Connector	Channel Range
5-pin XLR	2, 3, 4, or 7

### Ordering

Product Name	Item Name	Item Code	UPC Number
Ovation E-4WW IP	OVATIONE4WWIP	03122048	781462223960



## Contact Us

General Information	Technical Support
<b>Chauvet World Headquarters</b>	
Address: 3360 Davie Rd., Suite 509 Davie, FL 33314 Voice: (954) 577-4455 Fax: (954) 929-5560 Toll Free: (800) 762-1084	Voice: (844) 393-7575 Fax: (954) 756-8015 Email: <a href="mailto:chauvetcs@chauvetlighting.com">chauvetcs@chauvetlighting.com</a> Website: <a href="http://www.chauvetprofessional.com">www.chauvetprofessional.com</a>
<b>Chauvet U.K.</b>	
Address: Pod 1 EVO Park Little Oak Drive, Sherwood Park Nottinghamshire, NG15 0EB UK Voice: +44 (0) 1773 511115 Fax: +44 (0) 1773 511110	Email: <a href="mailto:UKtech@chauvetlighting.eu">UKtech@chauvetlighting.eu</a> Website: <a href="http://www.chauvetprofessional.eu">www.chauvetprofessional.eu</a>
<b>Chauvet Benelux</b>	
Address: Stokstraat 18 9770 Kruishoutem Belgium Voice: +32 9 388 93 97	Email: <a href="mailto:BNLtech@chauvetlighting.eu">BNLtech@chauvetlighting.eu</a> Website: <a href="http://www.chauvetprofessional.eu">www.chauvetprofessional.eu</a>
<b>Chauvet France</b>	
Address: 3, Rue Ampère 91380 Chilly-Mazarin France Voice: +33 1 78 85 33 59	Email: <a href="mailto:FRtech@chauvetlighting.fr">FRtech@chauvetlighting.fr</a> Website: <a href="http://www.chauvetprofessional.eu">www.chauvetprofessional.eu</a>
<b>Chauvet Germany</b>	
Address: Bruno-Bürgel-Str. 11 28759 Bremen Germany Voice: +49 421 62 60 20	Email: <a href="mailto:DEtech@chauvetlighting.de">DEtech@chauvetlighting.de</a> Website: <a href="http://www.chauvetprofessional.eu">www.chauvetprofessional.eu</a>
<b>Chauvet Mexico</b>	
Address: Av. de las Partidas 34 - 3B (Entrance by Calle 2) Zona Industrial Lerma Lerma, Edo. de México, CP 52000 Voice: +52 (728) 690-2010	Email: <a href="mailto:servicio@chauvet.com.mx">servicio@chauvet.com.mx</a> Website: <a href="http://www.chauvetprofessional.mx">www.chauvetprofessional.mx</a>

## Warranty & Returns

For warranty terms and conditions and return information, please visit our website.

For customers in the United States and Mexico: [www.chauvetlighting.com/warranty-registration](http://www.chauvetlighting.com/warranty-registration).

For customers in the United Kingdom, Republic of Ireland, Belgium, the Netherlands, Luxembourg, France, and Germany: [www.chauvetlighting.eu/warranty-registration](http://www.chauvetlighting.eu/warranty-registration).