



# HS208T

Full range horn speaker 8" 100V

## Highlights:

---

- IP65 Ingress protection
- Multi-tapping 100V line transformer
- 8" high output woofer with a 1.3" voice coil
- Multi-Layer glass composite material with textured EPDM black coating
- Barrier terminal block in waterproof connection box

The AUDAC HS208T is a full-range loudspeaker system engineered to provide long throw, full range sound projection in a variety of fixed in- and outdoor applications. Its wide, smooth frequency response and high efficiency ensure high-fidelity music reproduction along with superb projection of clear, intelligible speech at very low distortion. The HS208T features a 1,3" HF driver with an 8" LF loudspeaker combination for the best sound reproduction, and has a very special coverage pattern of 40° horizontally and vertically. The HS208T contains the possibility to choose from power tapping for: - 120 Watt, 60 Watt, 30 Watt @ 100V - 8 Ohm impedance. The construction of the HS208T is made of polyester with textured EDPM black coating and a perforated aluminum grill front finish. Behind the aluminum grill, there is an acoustic foam assembled, which prevents rain coming into the speaker. Due to an Ingress Protection rating (IP) of 65, this speaker is suitable for any environment where humidity or moisture are present. At the rear, you will find cable clamps to select the line transformer as desired. The cable clamps are shielded to obstruct moisture and humidity Mounting bracket: - MBK208Z

## Applications:

---

- Corporate spaces
- Sport facilities
- Events



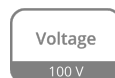
## Certification:

---



## Voltage:

---



## System specifications:

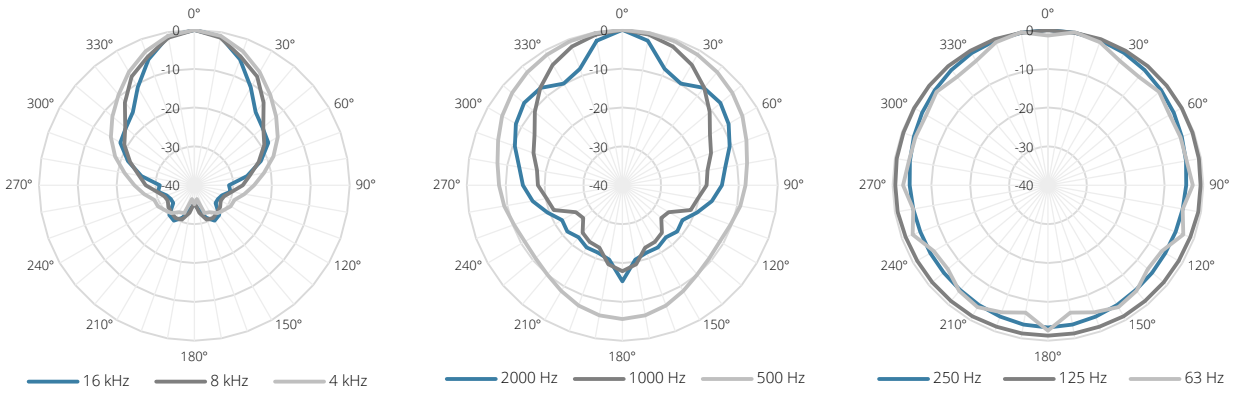
Speaker type		2-way horn speaker
Max. Power		300 W
RMS Power		150 W
Impedance		8 $\Omega$
Line Transformer Tappings	1	120 W / 83 $\Omega$
	2	60 W / 167 $\Omega$
	3	30 W / 333 $\Omega$
Sensitivity (1W/1m)		97 dB
Sound Pressure (Max. W/1m)		123 dB
Frequency	Response ( $\pm$ 3 dB)	100 Hz - 18 kHz
	Range (-10 dB)	70 Hz - 20 kHz
Crossover	Frequency	1.5 kHz
	Type	Passive built-in
Dispersion	Horizontal	40°
	Vertical	40°
Ingress Protection rating		IP65
Connectors		Barrier terminal block in waterproof connection box
Drivers	HF	1.3" Compression driver
	MF	8"

## Product Features:

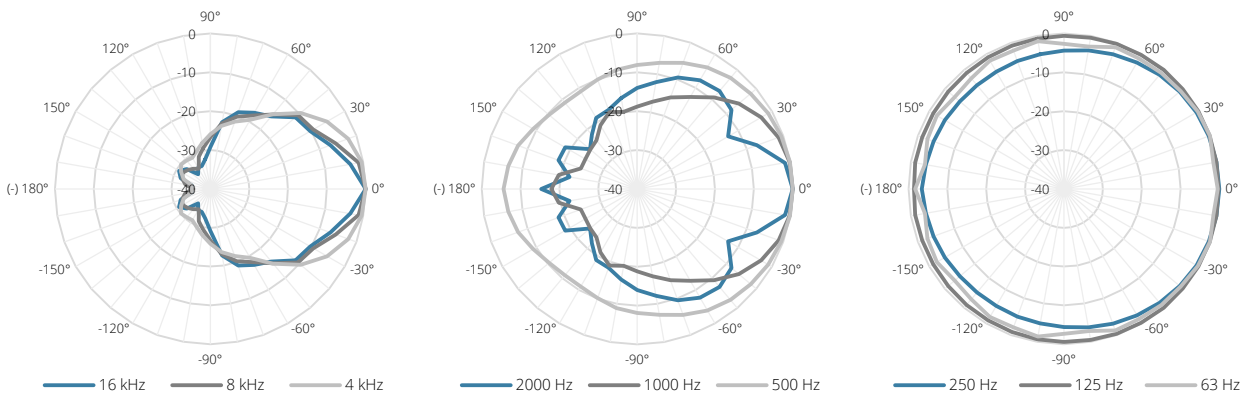
Dimensions		360 x 360 x 482 mm (W x H x D)
Weight		15.600 kg
Construction		Multi-Layer glass composite material with textured EPDM black coating
Front finish		Powdercoated aluminium with lining
Mounting & handling		Mounting bracket fixing holes
Accessories	Optional	MBK208Z Wall mounting bracket

# Acoustical data graphs:

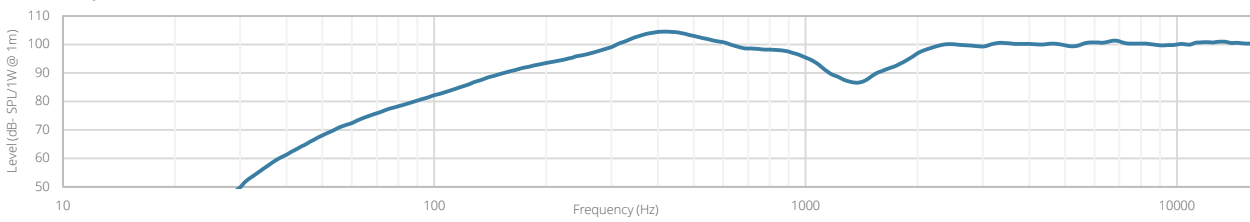
## Horizontal Polars:



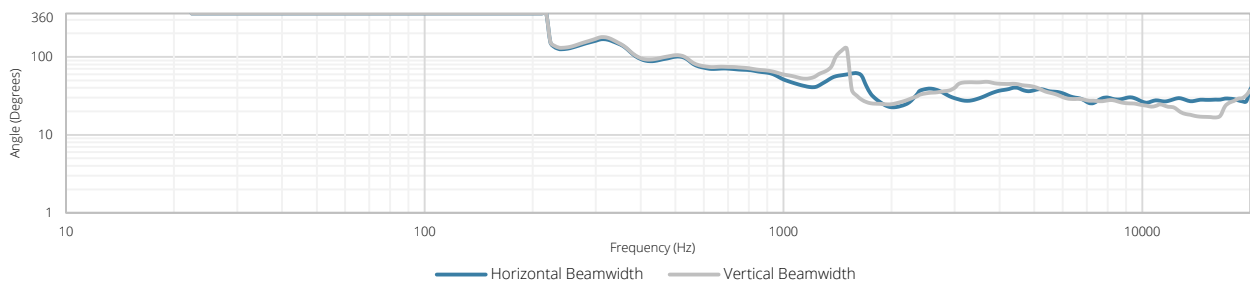
## Vertical Polars:



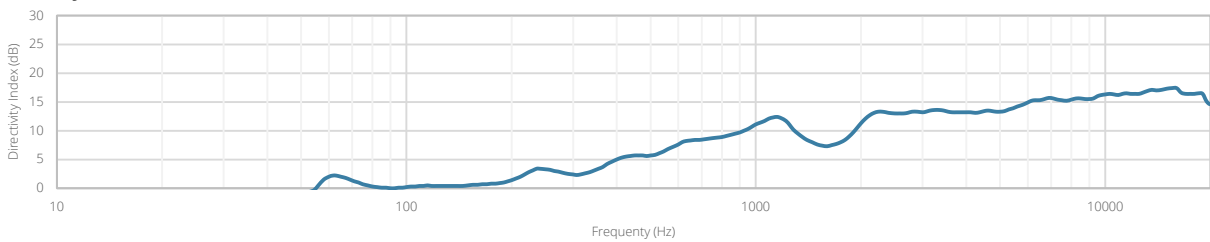
## Sensitivity:

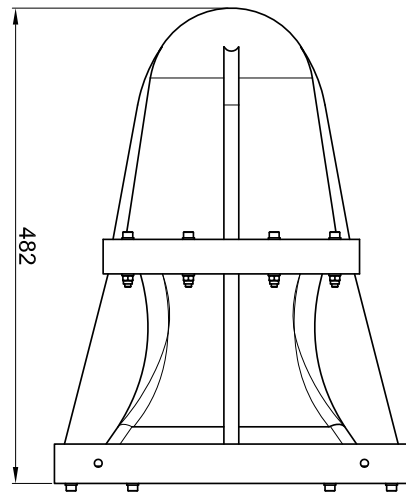
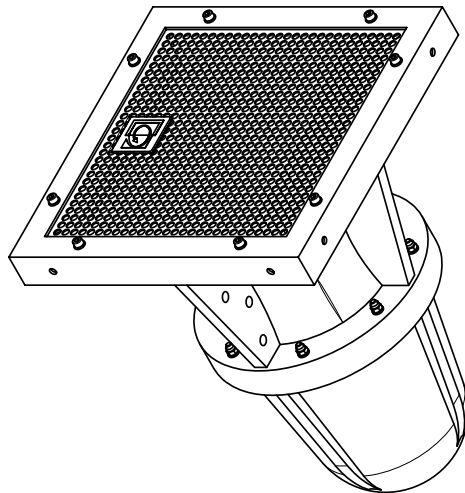
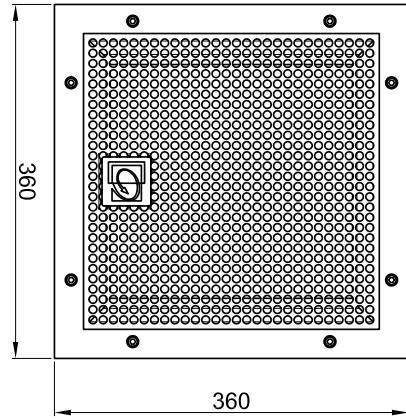
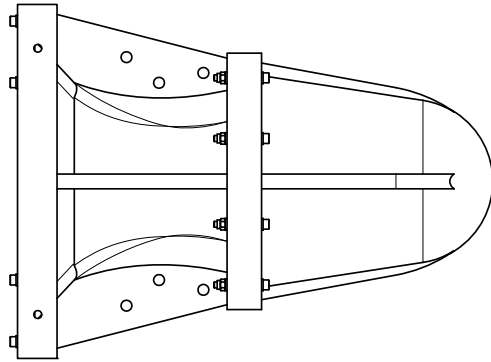


## Beamwidth (-3dB):



## Directivity index:





<b>HS208T</b>		<b>Product description:</b> HORN LOADED 2-WAY LOUDSPEAKER 8" SPEAKER - 120W / 100V	<b>Unit height:</b> N/A
<b>Weight:</b> 13,0 kg	<b>Outer dimensions:</b> (w x h x d) 360 x 360 x 482		