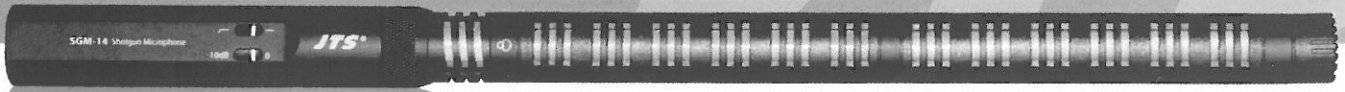


SGM-14

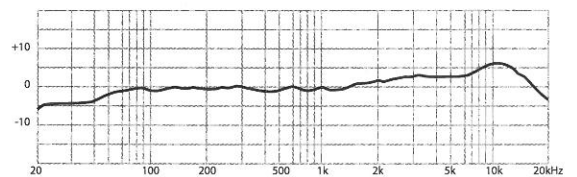
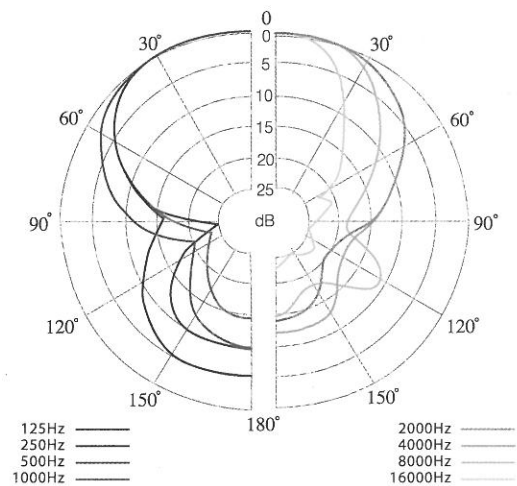
Shotgun Microphone



This 14" shotgun microphone is designed for ENG, outdoor recording and other specialized uses. It provides narrow acceptance angle and is desirable for long distance sound pick up. Low cut and pad are available for best miking effect.

Specifications

Type	Electret Condenser
Polar Pattern	Hypercardioid
Frequency Response	20~20,000Hz
Sensitivity	-32±3 dB*(25mV)*0dB=1V/Pa
Attenuation Switch	-10 dB
Low Frequency Roll-off	80 Hz
Impedance	Rated impedance is 200Ω
Max. SPL for 1% THD	125dB (135dB with -10 dB Attenuation)
Signal To Noise Ratio	78dB
Power Supply	9~48VDC phantom power
Output Connector	3P XLR (M)
Length	360mm



Dimension (mm)

