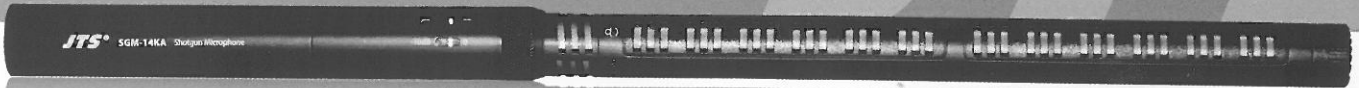


SGM-14KA

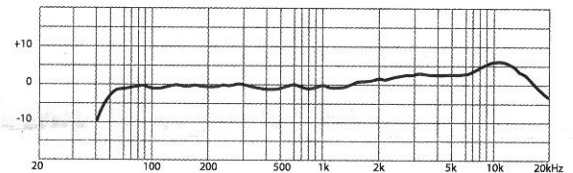
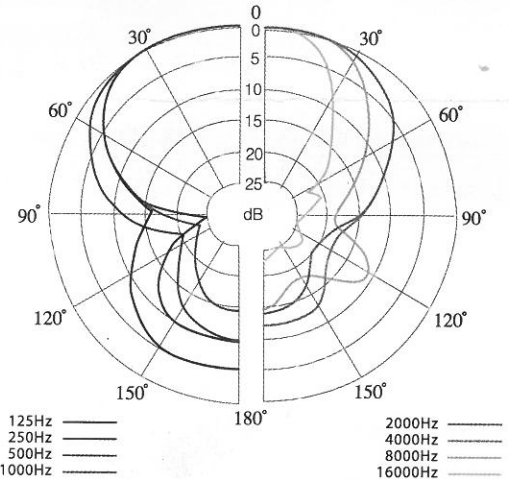
Shotgun Microphone



SGM-14KA is identical with SGM-14 except it has battery powered feature besides phantom power. This kit comes with a shoe mount suspension to isolate the touch noise. Two cables are included for both professional video camera and DSLR. A windscreen is also included in the pack.

Specifications

Type	Electret Condenser
Polar pattern	Hypercardioid
Frequency Response	40 to 20,000Hz
Sensitivity(at 1,000Hz)	-34±3 dB*(20mV) *0dB=1V/Pa
(Phantom / Battery)	-35±3 dB*(17.8mV)*0dB=1V/Pa
Attenuation Switch	-10 dB
Low Frequency Roll-off	120Hz
Impedance(Phantom /Battery)	Rated impedance is 500Ω / 600Ω
Max. SPL for 1%THD	125dB/110dB
(Phantom / Battery)	
Signal To Noise Ratio	70dB
Power Supply(Phantom/Battery)	9~48VDC /1.5V AA UM3 R6
Current consumption	≦2mA/ 0.4mA (1200 hours typical)
(Phantom / Battery)	
Output Connector	3P XLR (M)
Length	405.6mm



Accessories (For SGM-14KA Only)

KAC-50FM Cable

This cable is terminated with XLR Male and XLR Female connectors at each end. It is designed for professional video camera.



SMA-14 Shoe Mount Holder

This shoe mount holder isolates shock and vibration from operation effective.



MS-14FUR (Option) Windscreen

Microphone windscreen made of fur. It is designed to isolate wind noise especially for outdoor use.



KAC-50PM Cable

This cable is terminated with 3.5mm dummy stereo plug and XLR Female connector at each end. It is for DSLR and home camcorder.



MS-14 Windscreen

Microphone windscreen designed for SGM-14 shotgun microphone. It effectively minimizes wind and pop noise.



Dimension (mm)

