

STRIKEV

User Manual



Model ID: STRIKEV


CHAUVET
PROFESSIONAL

Edition Notes

The STRIKE V User Manual includes a description, safety precautions, installation, programming, operation, and maintenance instructions for the STRIKE V as of the release date of this edition.

Trademarks

Chauvet, Chauvet Professional, the Chauvet logo, and STRIKE are registered trademarks or trademarks of Chauvet & Sons, LLC (d/b/a Chauvet and Chauvet Lighting) in the United States and other countries. Other company and product names and logos referred to herein may be trademarks of their respective companies.

Copyright Notice

The works of authorship contained in this manual, including, but not limited to, all designs, text, and images are owned by Chauvet.

© **Copyright 2025 Chauvet & Sons, LLC. All rights reserved.**

Electronically published by Chauvet in the United States of America.

Manual Use

Chauvet authorizes its customers to download and print this manual for professional information purposes only. Chauvet expressly prohibits the usage, copy, storage, distribution, modification, or printing of this manual or its content for any other purpose without written consent from Chauvet.

Document Printing

For best results, print this document in color, on letter size paper (8.5 x 11 in), double-sided. If using A4 paper (210 x 297 mm), configure the printer to scale the content accordingly.

Intended Audience

Any person installing, operating, and/or maintaining this product should completely read through the guide that shipped with the product, as well as this manual, before installing, operating, or maintaining this product.

Disclaimer

Chauvet believes that the information contained in this manual is accurate in all respects. However, Chauvet assumes no responsibility and specifically disclaims any and all liability to any party for any loss, damage, or disruption caused by any errors or omissions in this document, whether such errors or omissions result from negligence, accident, or any other cause. Chauvet reserves the right to revise the content of this document without any obligation to notify any person or company of such revision. However, Chauvet has no obligation to make, and does not commit to make, any such revisions.

Document Revision

Go to www.chauvetprofessional.com for the latest version.

Revision	Date	Description
1	02/2025	Initial release.

TABLE OF CONTENTS

1. Before You Begin	1
What Is Included	1
Claims	1
Text Conventions	1
Symbols	1
Safety Notes.....	2
Battery Charge Notes.....	3
Storage Notes	3
FCC Statement of Compliance	3
Expected LED Lifespan.....	3
2. Introduction.....	4
Features.....	4
Product Overview.....	4
Product Dimensions	5
3. Setup.....	6
AC Power	6
AC Plug	6
Signal Connections	6
Control Personalities	6
DMX Linking.....	6
Remote Device Management	6
Art-Net™ Connection	7
sACN Connection.....	7
Ethernet Connection Diagram	7
Master/Slave Connectivity.....	7
USB Software Update	8
Force Upload.....	8
Mounting	9
Orientation.....	9
Rigging	9
Procedure.....	9
Mounting Diagram.....	9
Guide Pins.....	10
4. Operation.....	11
Control Panel Description	11
Control Options	11
Programming.....	11
Home Screen	11
Control Panel Lock.....	11
Passcode	11
Menu Map	12
Control Configuration	17
Protocol	17
Control Personalities	17
Starting Address.....	18
Network Setup.....	18
IP Mode	18
Universe	18
Manual IP Address	18
Subnet Mask.....	18

DMX Channel Assignments and Values	19
Color Temperature Chart	19
Color Macro Chart	19
Control Chart	19
FX Macro Chart	20
Dot and Cell Diagram	21
Single Control Modes	21
Movement Mode 30CH	29
Dual Control Pixels Modes	31
Multi-Layer Control Pixels Modes	37
Standalone Configuration	40
Static Mode	40
Fixed Color	40
Manual Color Mixer	40
Static Mode Strobe	40
Standalone Dimmer	40
Effect Macros	41
E-Frost	41
Settings Configuration	41
Tilt Settings	41
Manual Tilt	41
Tilt Offset	41
Tilt Invert	41
Disable Tilt	41
Legacy Tilt	41
Master/Slave	41
DMX Loss	41
Test Mode	42
Auto Test	42
Manual Test	42
Dimmer Speed Mode	42
Dimmer Curve	42
Color Calibration	42
Pulse Width Modulation	42
Pixel Invert	42
Fan Mode	42
Display Invert	42
Display Backlight	43
Information	43
Factory Reset	43
Web Server	43
Home	43
Settings	43
Output	43
Security	43
Error Codes	44
5. Maintenance	45
Product Maintenance	45
Torque Measurements	45
Vacuum Test Measurements	45
6. Technical Specifications	46
Contact Us	47
Warranty & Returns	47

Before You Begin

1. Before You Begin

What Is Included

- STRIKE V
- Seetronic Powerkon IP65 power cable
- Omega bracket
- Stealth filter
- Quick Reference Guide

Claims

Carefully unpack the product immediately and check the container to make sure all the parts are in the package and are in good condition.






If the box or the contents (the product and included accessories) appear damaged from shipping, or show signs of mishandling, notify the carrier immediately, not Chauvet. Failure to report damage to the carrier immediately may invalidate a claim. In addition, keep the box and contents for inspection.

For other issues, such as missing components or parts, damage not related to shipping, or concealed damage, file a claim with Chauvet within 7 days of delivery.

Text Conventions

Convention	Meaning
1–512	A range of values
50/60	A set of values of which only one can be chosen
Settings	A menu option not to be modified
<ENTER>	A key to be pressed on the product's control panel

Symbols

Symbol	Meaning
	Electrical warning. Not following these instructions may cause electrical damage to the product, accessories, or the user.
	Critical installation, configuration, or operation information. Not following these instructions may make the product not work, cause damage to the product, or cause harm to the operator.
	Pinch point warning. Not following these instructions may result in damage to, or loss of, tools, digits, or limbs.
	Important installation or configuration information. The product may not function correctly if this information is not used.
	Useful information.



Any reference to data or power connections in this manual assumes the use of Seetronic IP-rated cables.

The term “DMX” used throughout this manual refers to the USITT DMX512-A digital data transmission protocol.



Connection of the control signal: DMX line

- The product has XLR sockets for DMX input and output.
- Notice: This control circuit is isolated and belongs to the Class 2 data port. The control circuit has a cumulative leakage current of less than 3.5 mA.

Safety Notes

Read all the following safety notes before working with this product. These notes contain important information about the installation, usage, and maintenance of this product.



This product contains no user-serviceable parts. Any reference to servicing in this User Manual will only apply to properly trained, certified technicians. Do not open the housing or attempt any repairs.



All applicable local codes and regulations apply to proper installation of this product.

- The luminaire is intended for professional use only.
- The luminaire should be positioned so that prolonged staring into the luminaire at a distance closer than 1.6 ft (0.5 m) is not expected.
- If the external flexible cable or cord of this luminaire is damaged, it shall be replaced by a special cord or cord exclusively available from the manufacturer or its service agent.
- The light source contained in this luminaire shall only be replaced by the manufacturer or its service agent or a similar qualified person.
- **CAUTION:**
 - This product's housing may be hot when operating. Mount this product in a location with adequate ventilation, at least 20 in (50 cm) from adjacent surfaces.
 - When transferring the product from extreme temperature environments, (e.g., cold truck to warm humid ballroom) condensation may form on the internal electronics of the product. To avoid causing a failure, allow the product to fully acclimate to the surrounding environment before connecting it to power.
 - Flashing light is known to trigger epileptic seizures. User must comply with local laws regarding notification of strobe use.
- **ALWAYS:**
 - Disconnect from power before cleaning the product.
 - When using an IP65-rated product in an outdoor environment, use IP65- (or higher) rated power and data cable.
 - Replace and secure IP-rated protective covers to all power, data, USB, or other ports when not in use.
 - Use a safety cable when mounting this product overhead.
 - Connect this product to a grounded and protected circuit.
- **DO NOT:**
 - Open this product. It contains no user-serviceable parts.
 - Look at the light source when the product is on.
 - Leave any flammable material within 20 cm of this product while connected to power.
 - Connect this product to a dimmer or rheostat.
 - Operate this product if the housing, lenses, or cables appear damaged.
 - Submerge this product (adhere to standards for the published IP rating). Regular outdoor operation is fine.
 - Permanently install outdoors in locations with extreme environmental conditions. This includes, but is not limited to:
 - Exposure to a marine/saline environment (within 3 miles of a saltwater body of water).
 - Locations where normal temperatures exceed the temperature ranges in this manual.
 - Locations that are prone to flooding or being buried in snow.
 - Other areas where the product will be subject to extreme radiation or caustic substances.
 - **ONLY** use the hanging/mounting bracket to carry this product.
 - The maximum ambient temperature is 113 °F (45 °C). Do not operate this product at higher temperatures.
 - The minimum startup temperature is -4°F (-20°C). Do not start the product at lower temperatures.
 - The minimum ambient temperature is -22°F (-30°C). Do not operate the product at lower temperatures.
 - To eliminate unnecessary wear and improve its lifespan, during periods of non-use completely disconnect the product from power via breaker or by unplugging it.
 - In the event of a serious operating problem, stop using immediately.



If this Chauvet product requires service, contact Chauvet Technical Support.

Before You Begin

Battery Charge Notes

Rechargeable lithium-ion batteries are potentially hazardous and can present a serious FIRE HAZARD, SERIOUS INJURY, and/or PROPERTY DAMAGE if damaged, defective, or improperly used.

- **ALWAYS:**

- Charge using a manufacturer-provided charger while the product is powered off.
- Charge the battery in temperatures between 32°–95°F (0°–35°C).
- Allow a depleted battery to charge for a few minutes before turning on the product. If the battery is completely discharged, the device cannot be turned on immediately when the charger is connected.
- Keep at least 3 ft (1 m) distance to any heat source and away from flammable materials.
- Keep the lid of any charging case open while charging.
- Keep batteries away from children.
- Store batteries between 40–60% charge.
- Follow local regulations when disposing of batteries.
- Replace with an authentic Chauvet battery.



- **DO NOT:**

- Continue charging if the battery becomes hot, smokes, swells, or gives off an odor during charging.
- Leave the product unattended while charging.
- Deplete the battery below 10%.
- Charge the battery in a closed container.
- Charge for more than 24 hours.

Storage Notes

Follow the instructions below when storing the STRIKE V:

- Store charged product(s) in a dry environment, away from direct sunlight.
- Charge or discharge the battery to approximately 50% of capacity before storage.
- Lithium-ion batteries continue to slowly discharge (self-discharge) when not in use or while in storage. Routinely check the battery's charge status.
- Store the battery at temperatures between 41 °F and 68 °F (5 °C and 20 °C).

FCC Statement of Compliance

This device complies with Part 15 Part B of the FCC rules. Operation is subject to the following two conditions:

1. This device may not cause harmful interference, and
2. This device must accept any interference received, including interference that may cause undesired operation.

This equipment has been tested and found to comply with the limits for a Class B digital device, pursuant to Part 15 of the FCC Rules. These limits are designed to provide reasonable protection against harmful interference in a residential installation. This equipment generates uses and can radiate radio frequency energy and, if not installed and used in accordance with the instructions, may cause harmful interference to radio communications. However, there is no guarantee that interference will not occur in a particular installation. If this equipment does cause harmful interference to radio or television reception, which can be determined by turning the equipment off and on, the user is encouraged to try to correct the interference by one or more of the following measures:

- Reorient or relocate the receiving antenna.
- Increase the separation between the equipment and receiver.
- Connect the equipment into an outlet on a circuit different from that to which the receiver is connected.
- Consult the dealer or an experienced radio/TV technician for help.

Any changes or modifications not expressly approved by the party responsible for compliance could void the user's authority to operate the equipment.

Expected LED Lifespan

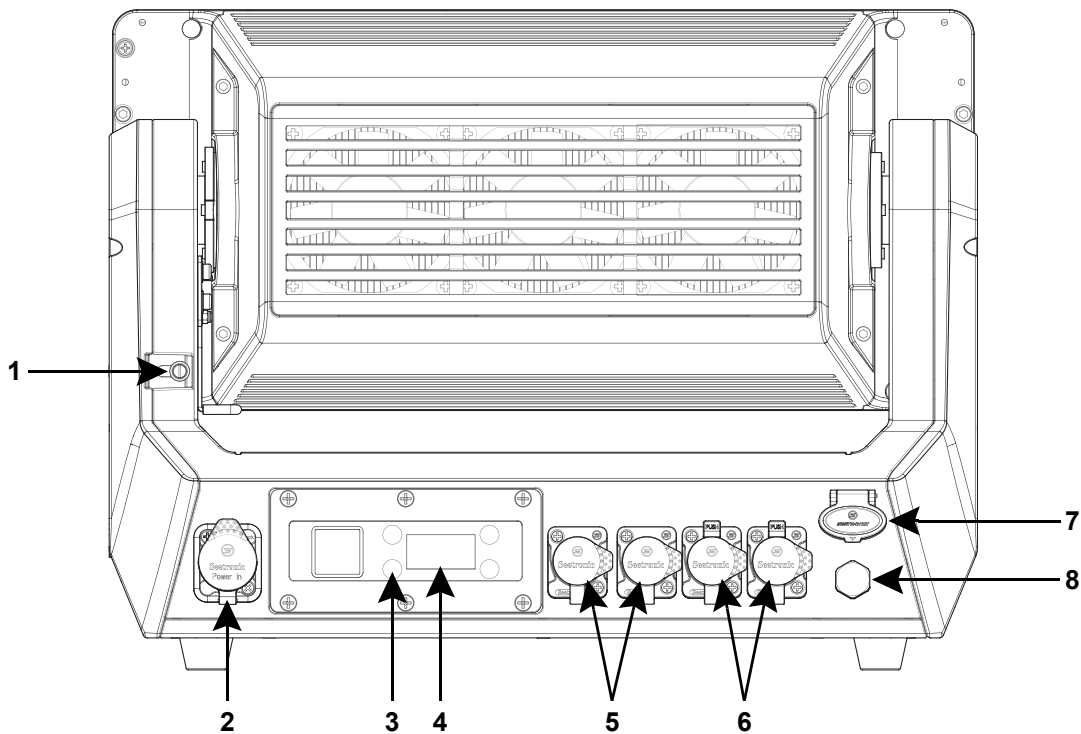
Over time, use and heat will gradually reduce LED brightness. Clustered LEDs produce more heat than single LEDs, contributing to shorter lifespans if always used at full intensity. The average LED lifespan is 40,000 to 50,000 hours. To extend LED lifespan, maintain proper ventilation around the product, and limit the overall intensity.

2. Introduction

Features

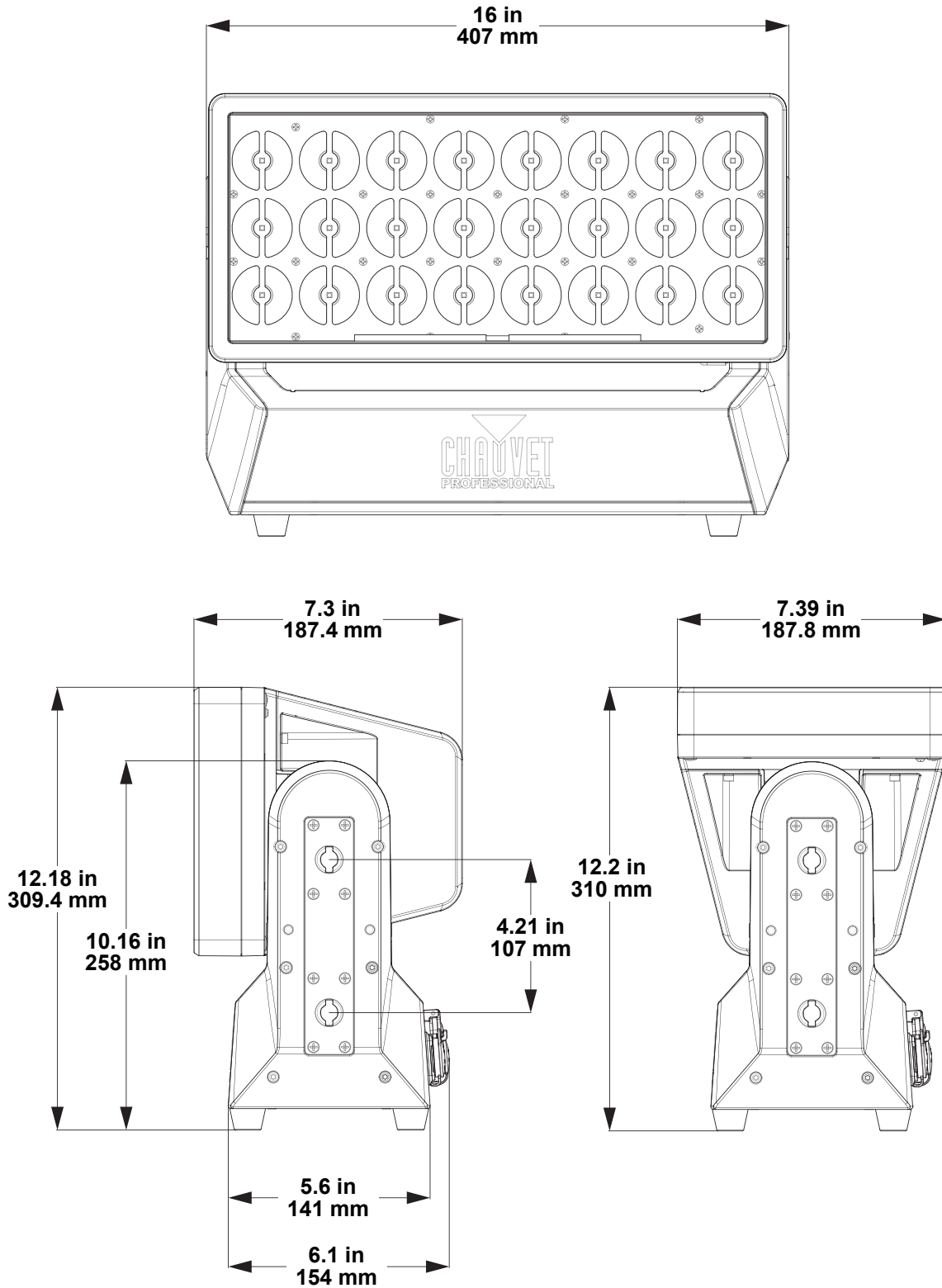
- Fully featured, High-power, 180° tilting hybrid strobe/wash with IP65 rating for all-weather use.
- 48 individually controllable pixels across two layers of LEDs
- Variable electronic frost for added eye candy effects
- Included magnetically attachable stealth filter for hiding the LEDs when not in use
- Multiple mounting locations and re-positionable yoke with ¼ turn adapters for creative and convenient rigging options in vertical and horizontal orientations
- RDM control over DMX for fixture reporting
- 16-bit dimming of master dimmer for smooth control of fades
- Easy to use OLED display
- Rugged design for years of rough use in the most extreme conditions.
- Adjustable Pulse Width Modulation (PWM) for added flexibility
- USB port for fixture software updates
- Built-in alignment pins to insure perfectly straight linear arrays
- Failsafe Ethernet connectivity allows for data to pass even if fixture power is lost

Product Overview



#	Name	#	Name
1	Alignment pin screw (x2)	5	5-pin DMX in/out
2	Seetronic Powerkon in	6	Ethernet through ports
3	Menu buttons	7	USB type-C port
4	LCD Display	8	GORE [®] valve

Product Dimensions



3. Setup

AC Power

The STRIKE V has an auto-ranging power supply and it can work with an input voltage range of 100 to 240 VAC, 50/60 Hz.

To determine the product's power requirements (circuit breaker, power outlet, and wiring), use the current value listed on the label affixed to the product's back panel, or refer to the product's specifications chart. The listed current rating indicates the product's average current draw under normal conditions.



- **Always connect the product to a protected circuit (a circuit breaker or fuse). Ensure the product has an appropriate electrical ground to avoid the risk of electrocution or fire.**
- **To eliminate unnecessary wear and improve its lifespan, during periods of non-use completely disconnect the product from power via breaker or by unplugging it.**



Never connect the product to a rheostat (variable resistor) or dimmer circuit, even if the rheostat or dimmer channel serves only as a 0 to 100% switch.

AC Plug

The STRIKE V comes with a power input cable terminated with a Seetronic Powerkon A connector on one end and an Edison plug on the other end (U.S. market). If the power cable which came with the product has no plug, or if it is necessary to change the plug, use the table below to wire a plug.

Connection	Wire (U.S.)	Wire (Europe)	Screw Color
AC Live	Black	Brown	Yellow or Brass
AC Neutral	White	Blue	Silver
AC Ground	Green/Yellow	Green/Yellow	Green

Signal Connections

The STRIKE V can receive a DMX, Art-Net™, or sACN signal. The product has 2 Seetronic Etherkon-compatible through ports and 5-pin DMX in and out ports. If using other compatible products with this product, it is possible to control each individually with a single controller.

Control Personalities

The STRIKE V uses a 5-pin DMX data connection, Art-Net™, or sACN for its 15 control personalities and combinations:

- **Single Control: 29CH, 222CH, and 314CH.**
- **Dual/Multi-Layer Control Movement: 30CH.**
- **Dual Control Pixels: 144CH, 192CH, 240CH, and 288CH.**
- **Multi-Layer Control Pixels: 72CH+ 72CH, 72CH+ 96CH, 96CH+ 72CH, 96CH+ 96CH, 120CH+ 120CH, 120CH+ 144CH, 144CH+ 120CH, and 144CH+ 144CH.**



In the Dual Control and Multi-Layer Control modes, the Movement protocol and the Pixels protocols cannot be the same.

- Refer to the [Operation](#) chapter to learn how to configure the STRIKE V to work in these personalities.
- The [DMX Channel Assignments and Values](#) section provides detailed information regarding the control personalities.



If the user is not familiar with or need more information about DMX standards or the DMX cables needed to link this product to a DMX controller, download the DMX Primer from the Chauvet website: www.chauvetprofessional.com.

DMX Linking

The STRIKE V can link to a DMX controller using a 5-pin DMX connection. For more information, read the DMX primer at: https://www.chauvetprofessional.com/wp-content/uploads/2016/06/DMX_Primer.pdf.

Remote Device Management

Remote Device Management, or RDM, is a standard for allowing DMX-enabled devices to communicate bi-directionally along existing DMX cabling. Check the DMX controller's User Manual or with the manufacturer as not all DMX controllers have this capability. The STRIKE V supports RDM protocol that allows feedback to make changes to menu map options.

Setup

Art-Net™ Connection

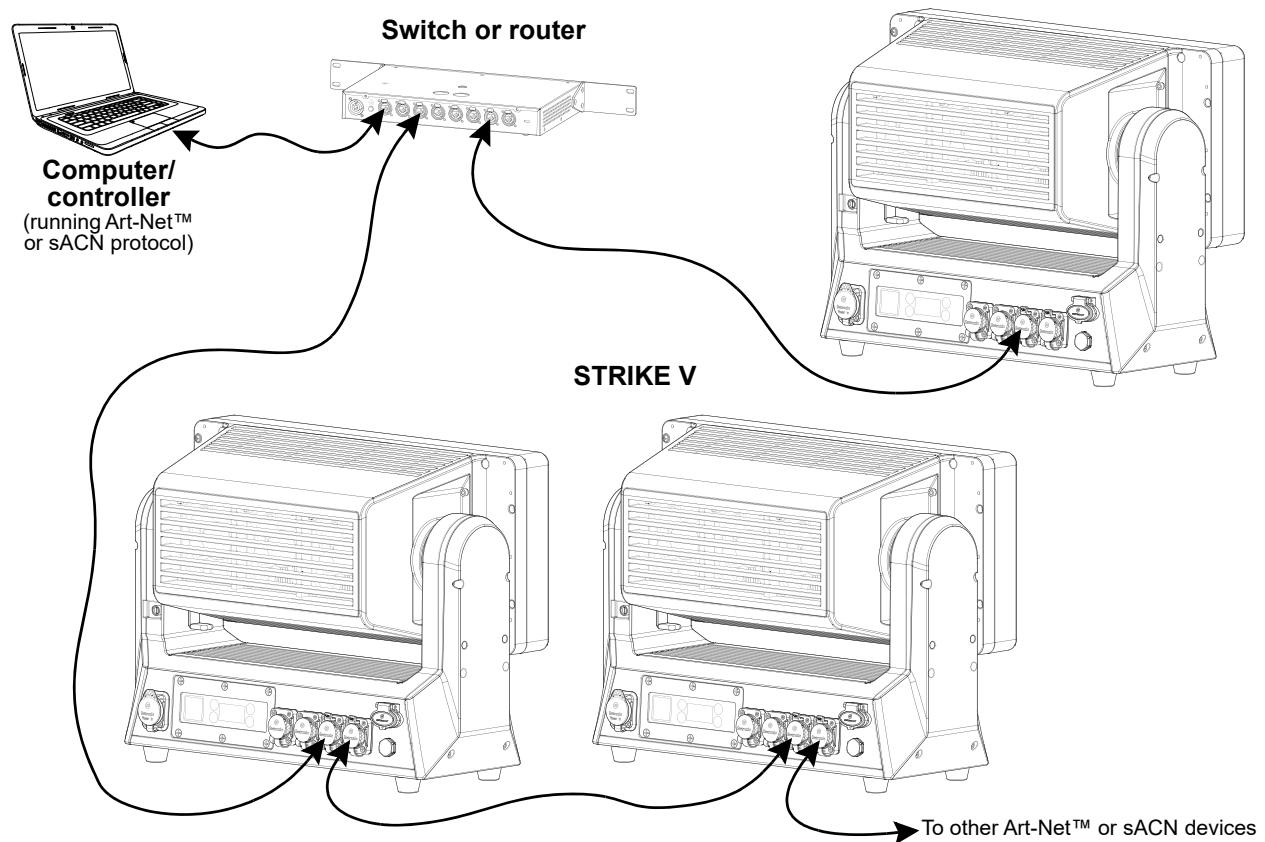
Art-Net™ is an Ethernet protocol that uses TCP/IP which transfers a large amount of DMX512 data using an ethernet connection over a large network. An Art-Net™ protocol document is available from www.chauvetprofessional.com.

Art-Net™ designed by and copyright Artistic Licence Holdings Ltd.

sACN Connection

Also known as ANSI E1.31, streaming ACN is an Ethernet protocol that uses the layering and formatting of Architecture for Control Networks to transport DMX512 data over IP or any other ACN compatible network.

Ethernet Connection Diagram



Master/Slave Connectivity

The Master/Slave mode allows an STRIKE V (the master) to control one or more STRIKE V products (the slaves) without a DMX controller. One STRIKE V becomes the master when running an auto program or in Static mode.

Each slave's control panel must be configured to operate in Slave mode. During Master/Slave operation, the slaves will operate in unison with the master.



DO NOT connect a DMX controller to products operating in Master/Slave mode. The DMX controller signals may interfere with the signals from the master.



- The [Operation](#) section of this manual provides detailed instructions on how to configure the master and slaves.
- For more information about DMX standards or the DMX cables needed to link this product to a DMX controller, download the DMX primer from the Chauvet website: www.chauvetprofessional.com.

USB Software Update

The STRIKE V allows for software updates with a USB device using the built-in USB port. To update the software using a USB flash drive, do the following:

1. Power on the product, and plug the flash drive into the USB port.
2. Once the flash drive has been detected, the message “**Upgrade Firmware**” will be displayed. Press <ENTER>. If a different message appears on the display, search for the updated software in the main menu (**Update Firmware**) and select from **Only This Unit**, **Multiple Fixture**, **Other Fixture Type**, or **Fixture to Fixture**. A list of the updated software files will be displayed.
3. Select the file that needs to be uploaded. The message “**Are you sure?**” will be displayed. Press <ENTER>.



If the selected file is incorrect, the upgrade will fail, and the display will go back to the main interface. Repeat steps 1–3 using the correct file.

4. If the selected file is correct, the upgrade will start. DO NOT turn off the power or disconnect the USB during the process. USB update can take several minutes to complete.
5. When the update is completed, the fixture will automatically reboot.
6. Go to Fixture Information on the product’s menu map and confirm the firmware revision.
7. When the boot-up process is finished, restart the product.



- Place the .chl file in the root directory of the USB drive.
- The product’s USB port supports up to 32GB capacity and only works with FAT32 file format.



Turning off the power, removing the USB, or not setting the fixture to the correct protocol during the update can cause partial or total firmware failure in the targeted fixture(s). Please refer to [Force Upload](#) section to fix firmware failure issues.

Force Upload

A Force Upload is done whenever a software update fails due to accidental removal of the USB flash drive, incorrect control protocol, or loss of power during a regular software update process.



- **A Force Upload process requires a target fixture (the fixture that needs a Force Upload and a main fixture (the fixture that controls the upload process).**
- **The Force Upload process can only be done one target fixture at a time.**

To do a Force Upload, follow the instructions below:

1. Link the target fixture to the main fixture via a DMX 5-pin connection. Ensure that the target fixture is turned off.
2. Turn on the main fixture and set its protocol to **DMX512**.
3. Plug the flash drive into the USB-C port of the main fixture.
4. Go to Upgrade Firmware on the menu map.
5. Choose between **Multiple Fixture** and **Other Fixture Type**. Press <ENTER>.
 - **Multiple Fixture:** Both the target fixture and main fixture are from the same product line (e.g., 2 STRIKE V fixtures).
 - **Other Fixture Type:** The target fixture and main fixture are from different product series (e.g., a STRIKE V as the target fixture and a Maverick Silens 2 Profile as the main fixture).
6. Select the file that needs to be uploaded. The message “**Are you sure?**” will appear on the screen. Press <ENTER>. Turn on the target fixture within 1–2 seconds of pressing <ENTER>. The display on the target fixture should remain off.
 - a. The main fixture will show the update progress (0–100%).
 - b. The target fixture’s display will turn on, and a notification “<UPDATE>” will appear on the screen.



The timing of when the target fixture’s display will turn on varies from fixture to fixture.

7. DO NOT turn off power or remove the USB flash drive. Once the software is done uploading, the target fixture will automatically reboot.
8. Go to the target fixture’s main menu and confirm that the firmware version has been updated.
9. Reboot the target fixture.

Setup

Mounting

Before mounting the product, read and follow the safety recommendations indicated in the [Safety Notes](#).

Orientation

Always mount this product in a safe position, making sure there is adequate room for ventilation, configuration, and maintenance.

Rigging

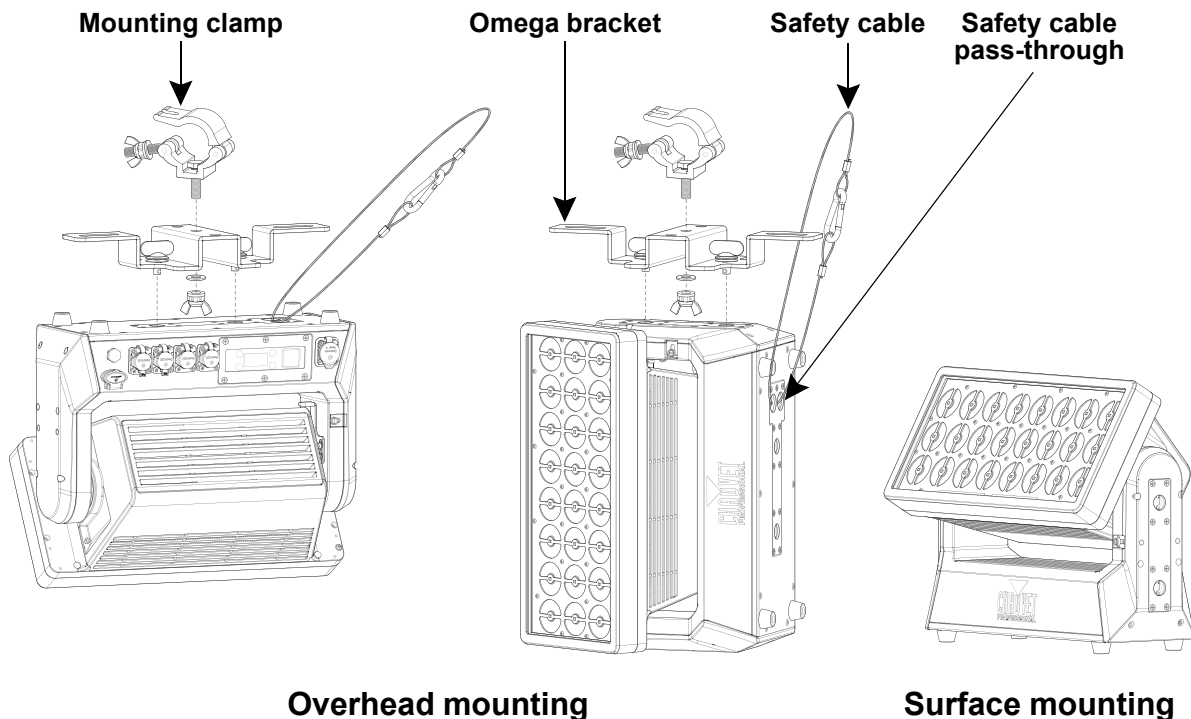
Chauvet recommends using the following general guidelines when mounting this product.

- Before deciding on a location for the product, make sure there is easy access to the product for maintenance and programming purposes.
- Make sure that the structure and attachment points can support the weight before hanging the product (see the [Technical Specifications](#) for weight information).
- When mounting the product overhead, always use a safety cable. Mount the product securely to a rigging point, whether an elevated platform or a truss.
- When rigging the product onto a truss, use a mounting clamp of appropriate weight capacity.
- When power linking multiple products, mount the products close enough for power-linking cables to reach.
- The bracket adjustment knobs allow for directional adjustment when aiming the product to the desired angle. Only loosen or tighten the bracket knobs manually. Using tools could damage the knobs.

Procedure

The STRIKE V comes with an Omega bracket. The user can directly attach a mounting clamp (sold separately) to this Omega bracket. Make sure the clamp is capable of supporting the weight of this product. For the Chauvet Professional line of mounting clamps, go to <http://www.trusst.com/products>.

Mounting Diagram



Guide Pins

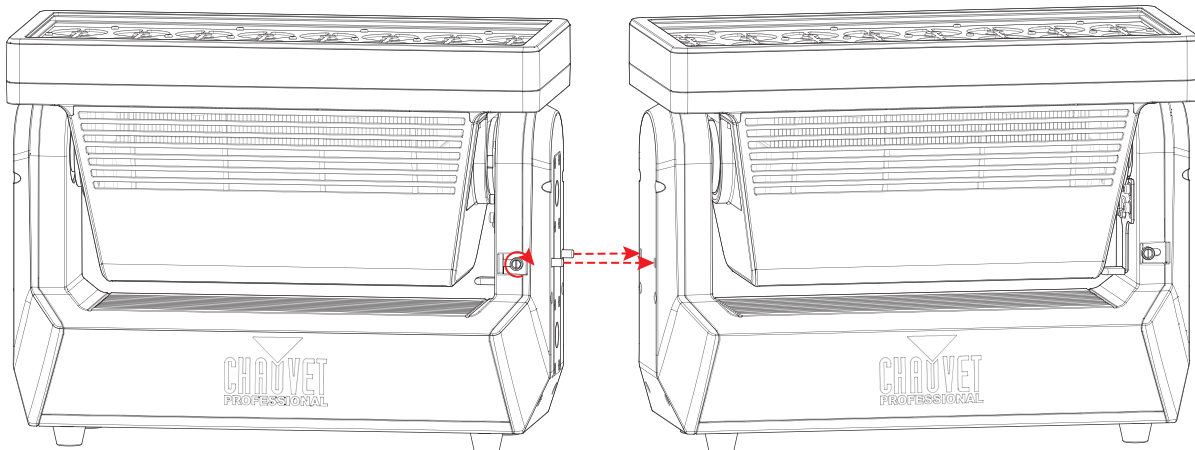
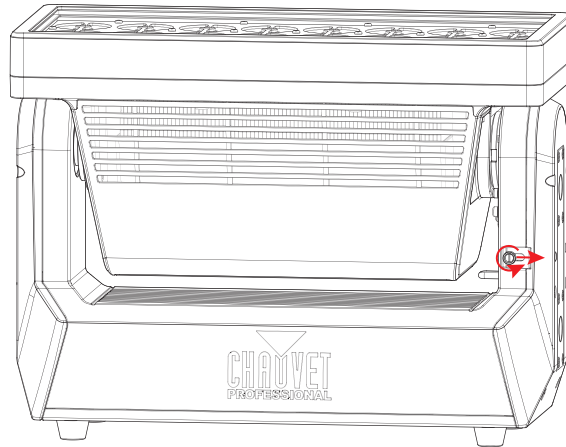
The STRIKE V has 2 guide pins which can assist in keeping linearly mounted products together in a straight line. To use the guide pins:

1. Loosen the guide pin locking screws on either side of the product with a flat-head screwdriver.



Only loosen the locking screws enough to allow movement of the pins.

2. Slide the locking screws so that the guide pins emerge from the product.
3. Tighten the guide pin locking screws until secure in place.
4. Insert the guide pins into the guide holes of another STRIKE V product during the mounting process.



4. Operation

Control Panel Description

Button/Knob	Function
<MENU>	Exits from the current menu or function
<ENTER>	Enables the currently displayed menu or sets the selected value into the selected function
<UP>	Navigates upwards through the menu list or increases the numeric value when in a function
<DOWN>	Navigates downwards through the menu list or decreases the value when in a function

Control Options

Set the STRIKE V starting address in the **001-484** DMX range. This enables control of up to 17 products in the Single Control 29-channel personality.

Programming

Refer to the menu map to understand the menu options. The menu map shows the main menu and a variable number of programming levels for each option.

- To access the main menu, press <MENU>.
- To access the main menu from the home screen, press <MENU>.
- To navigate to the desired option in the main menu, press <MENU> repeatedly until the option is indicated, or use <UP> or <DOWN> to navigate directly.
- Press <ENTER> to select the indicated option.
- Use <UP> or <DOWN> to navigate within a programming level until the desired option is indicated.
- To return to the main menu, press <MENU> repeatedly until it shows on the display.
- Press and hold <MENU> to return to the home screen.

Control options can also be accessed through the [Web Server](#).

Home Screen

The STRIKE V has a home screen that shows the current control protocols, personalities, starting addresses, IP addresses, and universes. To see the home screen, press and hold <MENU> until it shows on the display. From the home screen, press <ENTER> to reach the main menu.

Control Panel Lock

The setting locks or unlocks the control panel.

1. Go to the **Key Lock** main level.
2. Select **On** (locks control panel) or **Off** (control panel stays unlocked).



When the control panel lock is activated, the product will prompt for the passcode in order to access the menu. Enter the passcode as described below.

Passcode

When prompted, enter the following passcode: <UP>, <DOWN>, <UP>, <DOWN>, <ENTER>. It is not possible to change this passcode.

Menu Map

Refer to the STRIKE V product page on www.chauvetprofessional.com for the latest menu map.

Main Level	Programming Levels		Description		
Protocol	Single–Movement	DMX512	Sets the control protocol for single control or movement control		
		Artnet			
		sACN			
	Dual Pixels	DMX512	Sets the control protocol for pixel control in dual mode		
		Artnet			
		sACN			
Multi-Layer	Dot Pixels	Artnet	Sets the control protocol for dot pixel control in multi-layer mode		
		sACN			
	Cell Pixels	Artnet	Sets the control protocol for cell pixel control in multi-layer mode		
		sACN			
DMX Address	Single–Movement	001–484	Sets the DMX starting addresses		
	Dual Pixels	001–369			
	Multi-Layer	Dot Pixels		001–441	
		Cell Pixels			
DMX Channel	Single Control	29CH	Sets a single control personality		
		222CH			
		314CH			
	Dual Control	Movement	30CH	Confirms the movement control personality	
			144CH		
		Pixels	192CH	Sets the pixel control personality in dual mode	
			240CH		
			288CH		
	Multi-Layer Control	Movement	30CH	Confirms the movement control personality	
			72CH+ 72CH		
		Pixels	72CH+ 96CH	Sets the combination of dot+ cell pixel control personalities in multi-layer mode	
			96CH+ 72CH		
			96CH+ 96CH		
120CH+ 120CH					
120CH+ 144CH					
144CH+ 120CH					
144CH+ 144CH					
Static	Fixed Color	Fixed Dot	R	GW	Sets a static dot color
			G	BW	
			B	RGB	
			W	RGW	
			RG	RBW	
			RB	GBW	
			RW	RGBW	
			GB		
	Fixed Cell	Fixed Cell	R	GW	Sets a static cell color
			G	BW	
			B	RGB	
			W	RGW	
			RG	RBW	

Main Level	Programming Levels			Description		
Static (cont.)	Fixed Color (cont.)	Fixed Cell (cont.)	RB	GBW	Sets a static cell color	
			RW	RGBW		
			GB			
	Manual Color Mixer	Dot Mixer	Red	<000-255>	Combine red, green, blue, and white to mix a custom dot color	
			Green			
			Blue			
			White			
		Cell Mixer	Red	<000-255>		Combine red, green, blue, and white to mix a custom cell color
			Green			
	Blue					
	Flash Settings	Dot Flash	Flash Duration	000-255	Set the dot strobe length	
			Flash Rate		Set the dot strobe speed	
		Cell Flash	Flash Duration	000-255	Set the cell strobe length	
			Flash Rate		Set the cell strobe speed	
Intensity Settings	Dot Intensity		000-255	Set the dot dimmer level		
	Cell Intensity			Set the cell dimmer level		
Effect Macros	Dot Effect Macros	Color Chase	<001-255>	Set a dot effect macro and speed		
		Police Car				
		Firetruck				
		Fire				
		Clouds				
		Fireworks				
		Paparazzi				
	Cell Effect Macros	Color Chase	<001-255>		Set a cell effect macro and speed	
		Police Car				
		Firetruck				
		Fire				
		Clouds				
		Fireworks				
		Paparazzi				
Frost	000-255			Set the e-frost level		
	Tilt	000-255		Set the tilt level		
Tilt Settings	Tilt Offset	000-255		Set the tilt offset		
	Tilt Invert	No		Normal tilt direction		
		Yes		Inverted tilt direction		
	Tilt Disable	No		Enables tilt		
		Yes		Disables tilt		
	Tilt Legacy	No		STRIKE V tilt speed		
Yes		Color STRIKE M tilt speed				
Master/ Slave	Master			DMX mode (master)		
	Slave			Slave mode		

Main Level	Programming Levels		Description	
Dmx Loss	Hold Last		Holds last signal received	
	Blackout		Blacks out fixture	
Test	Auto Test		Auto test all functions	
	Manual Test	Tilt	<000–255>	Manually control and test all settings through the control panel
		Tilt Fine		
		Frost		
		Dot Dim		
		Dot Dim Fine		
		Cell Dim		
		Cell Dim Fine		
		Dot Flash Dur		
		Dot Flash Rate		
		Cell Flash Du		
		Cell Flash Ra		
		Dot Strobe Ef		
		Cell Strobe E		
		CTC		
		Dot FX Select		
		Dot S & Dir		
		Dot FX Cross		
		Cell FX Selec		
		Cell S & Dir		
		Cell FX Cross		
		Control		
		Dot Red		
		Dot Green		
		Dot Blue		
		Dot White		
	Cell R			
Cell Green				
Cell Blue				
Cell White				
Dimmer Mode	Off		Sets the dimmer speed	
	Dimmer 1–3			
Dimmer Curve	Linear		Sets the dimmer curve	
	Square			
	Inverse Square			
	S–Curve			

Main Level	Programming Levels				Description
Color Calibration	Off				Uses exact LED values
	User Calibration	Dot Calibration	Red	<125–255>	Sets the red dot LED maximum value
			Green		Sets the green dot LED maximum value
			Blue		Sets the blue dot LED maximum value
			White		Sets the white dot LED maximum value
		Cell Calibration	Red	<125–255>	Sets the red cell LED maximum value
			Green		Sets the green cell LED maximum value
			Blue		Sets the blue cell LED maximum value
			White		Sets the white cell LED maximum value
	Factory Calibration				Uses the factory-defined calibration
LED Frequency	1000Hz				Sets the Pulse Width Modulation frequency
	2000Hz				
	4000Hz				
	6000Hz				
	25KHz				
	64KHz				
Pixel Invert	Dot Invert	No		Normal dot direction	
		Yes		Inverted dot direction	
	Cell Invert	No		Normal cell direction	
		Yes		Inverted cell direction	
Fan Mode	Auto				Fan speed according to product temperature
	On				Fan always on
	Silent				Fan always off
Display Invert	No				Normal display
	Yes				Inverted display
Key Lock	On				Locks display (password: <UP> , <DOWN> , <UP> , <DOWN> , <ENTER>)
	Off				
Back Light	10S				Display turns off after 10 seconds
	30S				Display turns off after 30 seconds
	2Min				Display turns off after 2 minutes
	Always On				Display stays on
Ethernet Setting	IP Mode	Manual			Manually sets IP address
		DHCP			Network sets IP address
		Static			Product sets IP address
	Artnet Universe	Single–Movement		000–255	Sets the Art-Net™ universe
		Dual		000–255	
		Multi-Layer	Dot Pixels	000–255	
			Cell Pixels	000–255	
	sACN Universe	Single–Movement		001–256	Sets the sACN universe
		Dual		001–256	
		Multi-Layer	Dot Pixels	001–256	
			Cell Pixels	001–256	
	IP Address	-----			Sets IP address in manual mode
	Subnet Mask	-----			Sets Subnet Mask in manual mode

Main Level	Programming Levels		Description
Information	Fixture Hours:	----_H	Shows number of hours product has been powered on
	Led Hours:	----_H	Shows total hours the LED has been powered on
	DISP Ver:	V1.0.0	Shows display firmware version
	CTR1–Y Ver:	V1.0	Shows tilt driver firmware version
	CTR2–LEDA Ver:	V1.0	Shows LED driver A firmware version
	CTR3–LEDB Ver:	V1.0	Shows LED driver B firmware version
	UID:	21A40A06_----	Shows product UID
	Temperature Max:	__°C	Shows highest current temperature in °C
	Temperature Dot:	__°C	Shows current dot temperature in °C
	Temperature Cell:	__°C	Shows current cell temperature in °C
Temperature Base:	46°C	Shows current base temperature in °C	
Upgrade Firmware	Only This Fixture	----_.CHL	Selects an update file for this product, or shows “No such file!”
		...	
	Multiple Fixture	----_.CHL	Selects an update file for this and connected STRIKE V products, or shows “No such file!”
		...	
Other Fixture Type	----_.CHL	Selects an update file for other connected products, or shows “No such file!”	
	...		
Fixture To Fixture	Are you sure?	Uploads current firmware to connected products	
Factory Reset	No		Resets the product to factory default settings
	Yes		



When operating in Fan Mode: Silent, the product will become hotter to the touch than when using other fan modes. Use proper protective equipment to prevent burns. Keep a safe distance from flammable objects.



- The “Other Fixture Type” option under Upgrade Firmware can only be selected for connected products compatible with the Upload 03 (the first 2 digits of the item code must be 03).
- The “Fixture to Fixture” option under Upgrade Firmware can only be selected for connected STRIKE V products.

Operation

Control Configuration

Use control configurations to operate the product with a DMX, Art-Net™, or sACN controller, or with a combination of up to all three protocols.

Protocol

The STRIKE V can work with a single controller or with up to 3 controllers running 3 different control protocols. In Dual Control and Multi-Layer mode, one protocol controls the Movement, and the other protocol(s) control the Pixels.

Single Control mode works with DMX, Art-Net™, and sACN control signals.

Dual Control Movement works with DMX, Art-Net™, and sACN control signals.

Dual Control Pixels works with wired DMX, Art-Net™, and sACN control signals.

Multi-Layer Movement works with DMX control signals.

Multi-Layer Pixels works with Art-Net™ and sACN control signals together.

To set the control mode and the protocol(s):

1. Go to the **Protocol** main level.
2. Select the desired control mode, from **Single–Movement**, **Dual Pixels**, or **Multi-Layer**.
3. For **Multi-Layer**, select which pixels to configure, from **Dot Pixels** or **Cell Pixels**.
4. Select the desired protocol, from **DMX** (not available for **Multi-Layer**), **ArtNet**, or **sACN**.



- In **Dual Control** mode, the **Movement** protocol and the **Pixels** protocol cannot be the same.
- In **Multi-Layer** mode, the **Movement** protocol must be **DMX**, and the **Dot** and **Cell Pixels** protocols cannot be the same as each other.



See the [Network Setup](#) section for further setup of ethernet protocols (Art-Net™ or sACN).

Control Personalities

To set the control personality:

1. Select the control protocols as described under [Protocol](#).
1. Go to the **DMX Channel** main level.
2. Select the control mode, from **Single Control**, **Dual Control**, or **Multi-Layer Control**.
3. For
 - **Single Control**: Select the personality, from **29CH**, **222CH**, or **314CH**.
 - **Dual Control**: Select **Pixels***, then select the personality, from **144CH**, **192CH**, **240CH**, or **288CH**.
 - **Multi-Layer Control**: Select **Pixels***, then select the personality combination (dot+ cell), from **72CH+ 72CH**, **72CH+ 96CH**, **96CH+ 72CH**, **96CH+ 96CH**, **120CH+ 120CH**, **120CH+ 144CH**, **144CH+ 120CH**, or **144CH+ 144CH**.



- See the [Starting Address](#) section for the highest selectable starting address for each personality.
- Make sure that the starting addresses on the various products do not overlap due to the new personality setting.
- *There is only 1 Movement personality, so it is automatically selected when choosing a Dual Control or Multi-Layer Control personality.

Starting Address

Each product and control mode will respond to a unique starting address from the controller. All products with the same starting address will respond in unison. To set the starting address:

1. Select the control protocols as described under [Protocol](#) and the personalities as described under [Control Personalities](#).
2. Go to the **DMX Address** main level.
3. Select which address to assign, from **Single–Movement**, **Dual Pixels**, or **Multi-Layer**.
4. For **Multi-Layer**, select which pixels address to assign, from **Dot Pixels** or **Cell Pixels**.
5. Select the starting address (1–484).

Control Mode	Personality	Highest Address	Products per Universe
Single Control	29CH	484	17
	222CH	291	2
	314CH	199	1
Movement	30CH	483	17
Dual Control Pixels	144CH	369	3
	192CH	321	2
	240CH	273	2
	288CH	225	1
Multi-Layer Pixels	72CH	441	7
	96CH	417	5
	120CH	393	4
	144CH	369	3

Network Setup

The Network Setup settings control the IP address and subnet mask of the product.

IP Mode

To choose how the IP address is set:

1. Go to the **Ethernet Setting** main level.
2. Select the **IP Mode** option.
3. Select the desired IP mode, from **Manual** (to set a custom IP address), **DHCP** (the IP address is assigned by the connected network), or **Static** (the product uses a default, preset IP address).

Universe

The Art-Net™ and sACN control protocols require universe addresses in addition to starting addresses. To assign a universe to the control mode when using Art-Net™ or sACN:

1. Select the control protocols as described under [Protocol](#) and the personalities as described under [Control Personalities](#).
2. Go to the **Ethernet Setting** main level.
3. Select the **Artnet Universe** or **sACN Universe** option.
4. Select which mode's universe to set, from **Single–Movement**, **Dual Pixels**, or **Multi-Layer**.
5. For **Multi-Layer**, select which pixels universe to set, from **Dot Pixels** or **Cell Pixels**.
6. For:
 - **ArtNet**, set the universe from **000–255**.
 - **sACN**, set the universe from **001–256**.

Manual IP Address

To set the IP address when the **IP Mode** is set to **Manual**:

1. Go to the **Ethernet Setting** main level.
2. Select the **IP Address** option and set the 4 values of the IP address from **000–255**.

Subnet Mask

To set the subnet mask:

1. Go to the **Ethernet Setting** main level.
2. Select the **Subnet Mask** option and set the 4 values of the subnet mask from **000–255**.

Operation

DMX Channel Assignments and Values

Color Temperature Chart

Value	Setting	Value	Setting	Value	Setting
000 ⇔ 005	No function	084 ⇔ 090	3900–4000K	168 ⇔ 174	5100–5200K
006 ⇔ 013	2800–2900K	091 ⇔ 097	4000–4100K	175 ⇔ 181	5200–5300K
014 ⇔ 020	2900–3000K	098 ⇔ 104	4100–4200K	182 ⇔ 188	5300–5400K
021 ⇔ 027	3000–3100K	105 ⇔ 111	4200–4300K	189 ⇔ 195	5400–5500K
028 ⇔ 034	3100–3200K	112 ⇔ 118	4300–4400K	196 ⇔ 202	5500–5600K
035 ⇔ 041	3200–3300K	119 ⇔ 125	4400–4500K	203 ⇔ 209	5600–5700K
042 ⇔ 048	3300–3400K	126 ⇔ 132	4500–4600K	210 ⇔ 216	5700–6000K
049 ⇔ 055	3400–3500K	133 ⇔ 139	4600–4700K	217 ⇔ 223	6000–6500K
056 ⇔ 062	3500–3600K	140 ⇔ 146	4700–4800K	224 ⇔ 230	6500–7000K
063 ⇔ 069	3600–3700K	147 ⇔ 153	4800–4900K	231 ⇔ 237	7000–7500K
070 ⇔ 076	3700–3800K	154 ⇔ 160	4900–5000K	238 ⇔ 244	7500–8000K
077 ⇔ 083	3800–3900K	161 ⇔ 167	5000–5100K	245 ⇔ 255	8000K

Color Macro Chart

Value	Setting	Value	Setting	Value	Setting
000	No function	012 ⇔ 048	Green +, blue 100%	163	Red 100%
001 ⇔ 002	2700K white	049	Green and blue 100%	164 ⇔ 200	Red 100%, blue +
003 ⇔ 004	3200K white	050 ⇔ 086	Green 100%, blue -	201	Red and blue 100%
005 ⇔ 006	4200K white	087	Green 100%	202 ⇔ 238	Red -, blue 100%
007 ⇔ 008	5600K white	088 ⇔ 124	Red +, green 100%	239	Blue 100%
009 ⇔ 010	8000K white	125	Red and green 100%	240 ⇔ 247	Color fade, fast to slow
011	Blue 100%	126 ⇔ 162	Red 100%, green -	248 ⇔ 255	Color snap, fast to slow

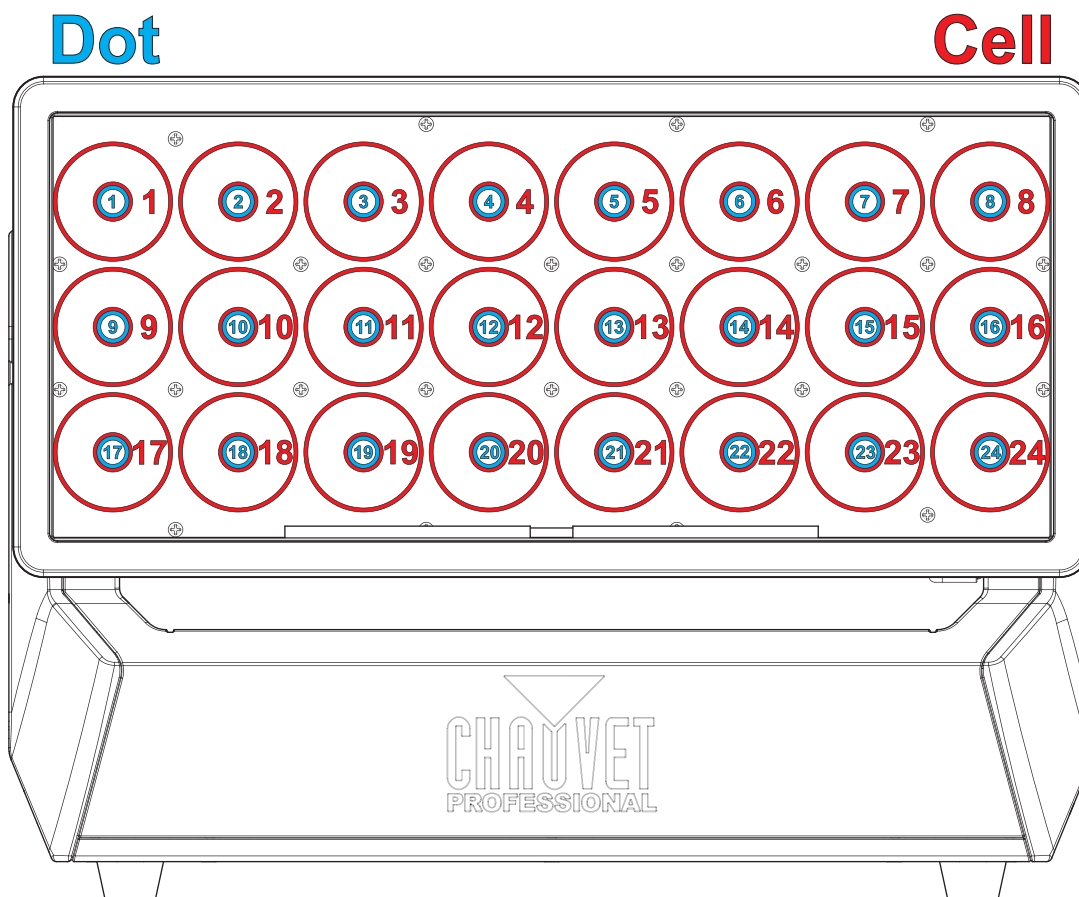
Control Chart

Value	Setting	Value	Setting
000 ⇔ 005	No function	086 ⇔ 090	S-curve dimmer curve
006 ⇔ 010	Dimmer mode off	091 ⇔ 095	No function
011 ⇔ 015	Dimmer mode 1 (fast)	096 ⇔ 100	Invert Dot off
016 ⇔ 020	Dimmer mode 2 (medium)	101 ⇔ 105	Invert Dot on
021 ⇔ 025	Dimmer mode 3 (slow)	106 ⇔ 110	Invert Cell off
026 ⇔ 030	PWM 1000 Hz	111 ⇔ 115	Invert Cell on
031 ⇔ 035	PWM 2000 Hz	116 ⇔ 120	Color STRIKE M tilt speed
036 ⇔ 040	PWM 4000 Hz	121 ⇔ 125	Normal tilt speed
041 ⇔ 045	PWM 6000 Hz	126 ⇔ 130	Hold last on DMX loss
046 ⇔ 050	PWM 25 KHz	131 ⇔ 135	Blackout on DMX loss
051 ⇔ 055	PWM 64 KHz	136 ⇔ 145	Reserved for future use
056 ⇔ 060	Fan mode Auto	146 ⇔ 150	Color calibration off
061 ⇔ 065	Fan mode On	151 ⇔ 155	User color calibration
066 ⇔ 070	Fan mode Silent	156 ⇔ 160	Factory color calibration
071 ⇔ 075	Linear dimmer curve	161 ⇔ 243	Reserved for future use
076 ⇔ 080	Square dimmer curve	244 ⇔ 249	Dimmer mode override (instant engage)
081 ⇔ 085	Inverse square dim curve	250 ⇔ 255	No function

FX Macro Chart

Value	Setting	Value	Setting	Value	Setting	Value	Setting	Value	Setting
000	No function	052	Macro 12	103	Macro 32 A	154	Macro 49 E	205	Macro 61 D
001	No function	053	Macro 13	104	Macro 32 B	155	Macro 49 F	206	Macro 61 E
002	No function	054	Macro 14	105	Macro 33.1	156	Macro 50.1	207	Macro 61 F
003	Macro 1.01	055	Macro 15.1	106	Macro 33.2	157	Macro 50.2	208	Macro 61 G
004	Macro 1.02	056	Macro 15.2	107	Macro 33.3	158	Macro 50.3 A	209	Macro 61 H
005	Macro 1.03	057	Macro 15.3	108	Macro 33.4	159	Macro 50.3 B	210	Macro 61 I
006	Macro 1.04	058	Macro 16.1	109	Macro 34.1	160	Macro 50.3 C	211	Macro 61 J
007	Macro 1.05	059	Macro 16.2	110	Macro 34.2	161	Macro 51 A	212	Macro 61 K
008	Macro 1.06	060	Macro 17.1	111	Macro 34.3	162	Macro 51 B	213	Macro 61 L
009	Macro 1.07	061	Macro 17.2	112	Macro 35.1	163	Macro 51 C	214	Macro 61 M
010	Macro 1.08	062	Macro 18.1	113	Macro 35.2	164	Macro 52 A	215	Macro 61 N
011	Macro 1.09	063	Macro 18.2	114	Macro 36	165	Macro 52 B	216	Macro 61 O
012	Macro 1.10	064	Macro 19.1	115	Macro 37.1	166	Macro 53 A	217	Macro 61 P
013	Macro 1.10	065	Macro 19.2	116	Macro 37.2 A	167	Macro 53 B	218	Macro 61 Q
014	Macro 1.12	066	Macro 20 A	117	Macro 37.2 B	168	Macro 53 C	219	Macro 61 R
015	Macro 1.13	067	Macro 20 B	118	Macro 37.2 C	169	Macro 53 D	220	Macro 62 A
016	Macro 1.14	068	Macro 21 A	119	Macro 37.2 D	170	Macro 53 E	221	Macro 62 B
017	Macro 1.15	069	Macro 21 B	120	Macro 37.2 E	171	Macro 53 F	222	Macro 62 C
018	Macro 1.16	070	Macro 21 C	121	Macro 37.2 F	172	Macro 54	223	Macro 62 D
019	Macro 1.17	071	Macro 22 A	122	Macro 38 A	173	Macro 55 A	224	Macro 62 E
020	Macro 1.18	072	Macro 22 B	123	Macro 38 B	174	Macro 55 B	225	Macro 62 F
021	Macro 2.1	073	Macro 22 C	124	Macro 38 C	175	Macro 55 C	226	Macro 62 G
022	Macro 2.2	074	Macro 23.1	125	Macro 39.1	176	Macro 55 D	227	Macro 62 H
023	Macro 2.3	075	Macro 23.2	126	Macro 39.2	177	Macro 56 A	228	Macro 62 I
024	Macro 2.4	076	Macro 23.3	127	Macro 39.3	178	Macro 56 B	229	Macro 62 J
025	Macro 2.5	077	Macro 24	128	Macro 39.4	179	Macro 56 C	230	Macro 62 K
026	Macro 2.6	078	Macro 25	129	Macro 39.5	180	Macro 56 D	231	Macro 62 L
027	Macro 2.7	079	Macro 26 A	130	Macro 40.1	181	Macro 56 E	232	Macro 62 M
028	Macro 2.8	080	Macro 26 B	131	Macro 40.2	182	Macro 56 F	233	Macro 62 N
029	Macro 2.9	081	Macro 26 C	132	Macro 40.3	183	Macro 57.1	234	Macro 62 O
030	Macro 3.1	082	Macro 26 D	133	Macro 40.4	184	Macro 57.2	235	Macro 62 P
031	Macro 3.2	083	Macro 27.1	134	Macro 41.1	185	Macro 58 A	236	Macro 62 Q
032	Macro 3.3	084	Macro 27.2 A	135	Macro 41.2	186	Macro 58 B	237	Macro 62 R
033	Macro 3.4	085	Macro 27.2 B	136	Macro 41.3	187	Macro 58 C	238	Macro 63 A
034	Macro 3.5	086	Macro 28 A	137	Macro 42.1	188	Macro 58 D	239	Macro 63 B
035	Macro 3.6	087	Macro 28 B	138	Macro 42.2	189	Macro 58 E	240	Macro 63 C
036	Macro 4.1	088	Macro 28 C	139	Macro 43	190	Macro 58 F	241	Macro 63 D
037	Macro 4.2	089	Macro 29.1	140	Macro 44 A	191	Macro 58 G	242	Macro 63 E
038	Macro 4.3	090	Macro 29.2	141	Macro 44 B	192	Macro 58 H	243	Macro 63 F
039	Macro 4.4	091	Macro 29.3	142	Macro 45 A	193	Macro 58 I	244	Macro 63 G
040	Macro 5.1	092	Macro 29.4	143	Macro 45 B	194	Macro 59.1	245	Macro 63 H
041	Macro 5.2	093	Macro 29.5	144	Macro 46	195	Macro 59.2	246	Macro 63 I
042	Macro 5.3	094	Macro 29.6	145	Macro 47 A	196	Macro 59.3	247	Macro 64 A
043	Macro 6.1	095	Macro 30.1	146	Macro 47 B	197	Macro 60 A	248	Macro 64 B
044	Macro 6.2	096	Macro 30.2	147	Macro 47 C	198	Macro 60 B	249	Macro 64 C
045	Macro 7.1	097	Macro 30.3	148	Macro 48.1	199	Macro 60 C	250	Macro 64 D
046	Macro 7.2	098	Macro 30.4	149	Macro 48.2	200	Macro 60 D	251	Macro 64 D
047	Macro 8	099	Macro 30.5 A	150	Macro 49 A	201	Macro 60 E	252	Macro 64 E
048	Macro 9	100	Macro 30.5 B	151	Macro 49 B	202	Macro 61 A	253	Macro 64 F
049	Macro 10.1	101	Macro 30.5 C	152	Macro 49 C	203	Macro 61 B	254	Macro 64 G
050	Macro 10.2	102	Macro 31	153	Macro 49 D	204	Macro 61 C	255	Macro 64 H
051	Macro 11								

Dot and Cell Diagram



Single Control Modes

29	222	314	Function	Value	Percent/Setting
1	1	1	Tilt	000 ⇔ 255	0–100%
2	2	2	Fine tilt	000 ⇔ 255	0–100%
–	3	3	Tilt speed	000 ⇔ 255	Fast to slow
3	4	4	E-frost	000 ⇔ 255	0–100%
4	5	–	Dot dimmer	000 ⇔ 255	0–100%
5	6	–	Dot fine dimmer	000 ⇔ 255	0–100%
6	7	–	Cell dimmer	000 ⇔ 255	0–100%
7	8	–	Cell fine dimmer	000 ⇔ 255	0–100%
8	9	5	Dot strobe duration	000 ⇔ 009	Classic strobe mode: disables duration control
				010 ⇔ 250	Short to long (7–650 ms)
				251 ⇔ 255	100% on
9	10	6	Dot strobe rate	000 ⇔ 009	100% on
				010 ⇔ 250	Slow to fast (0.289–16.67 Hz)
				251 ⇔ 255	100% on
10	11	7	Cell strobe duration	000 ⇔ 009	Classic strobe mode: disables duration control
				010 ⇔ 250	Short to long (7–650 ms)
				251 ⇔ 255	100% on

29	222	314	Function	Value	Percent/Setting
11	12	8	Cell strobe rate	000 ⇔ 009 010 ⇔ 250 251 ⇔ 255	100% on Slow to fast (0.289–16.67 Hz) 100% on
12	13	9	Dot strobe effect	000 ⇔ 005 006 ⇔ 042 043 ⇔ 085 086 ⇔ 128 129 ⇔ 171 172 ⇔ 214 215 ⇔ 255	No function Fade up, slow to fast Fade down, slow to fast Fade up and down, slow to fast Random strobe, slow to fast Lightning strobe, slow to fast Spike strobe, slow to fast
13	14	10	Cell strobe effect	000 ⇔ 005 006 ⇔ 042 043 ⇔ 085 086 ⇔ 128 129 ⇔ 171 172 ⇔ 214 215 ⇔ 255	No function Fade up, slow to fast Fade down, slow to fast Fade up and down, slow to fast Random strobe, slow to fast Lightning strobe, slow to fast Spike strobe, slow to fast
14	15	11	Color temperature	000 ⇔ 255	See the Color Temperature Chart
–	16	12	Dot foreground dimmer	000 ⇔ 255	0–100%
–	17	13	Dot foreground color	000 ⇔ 255	See the Color Macro Chart
–	18	14	Dot background dimmer	000 ⇔ 255	0–100%
–	19	15	Dot background color	000 ⇔ 255	See the Color Macro Chart
15	20	16	Dot FX macro	000 ⇔ 255	See the FX Macro Chart
16	21	17	Dot FX macro direction and speed	000 ⇔ 005 006 ⇔ 124 125 ⇔ 130 131 ⇔ 249 250 ⇔ 255	No function Left to right, fast to slow No function Right to left, slow to fast No function
17	22	18	Dot FX macro delay	000 ⇔ 002 003 ⇔ 255	Snap Fade, short to long
–	23	19	Cell foreground dimmer	000 ⇔ 255	0–100%
–	24	20	Cell foreground color	000 ⇔ 255	See the Color Macro Chart
–	25	21	Cell background dimmer	000 ⇔ 255	0–100%
–	26	22	Cell background color	000 ⇔ 255	See the Color Macro Chart
18	27	23	Cell FX macro	000 ⇔ 255	See the FX Macro Chart
19	28	24	Cell FX macro direction and speed	000 ⇔ 005 006 ⇔ 124 125 ⇔ 130 131 ⇔ 249 250 ⇔ 255	No function Left to right, fast to slow No function Right to left, slow to fast No function
20	29	25	Cell FX macro delay	000 ⇔ 002 003 ⇔ 255	Snap Fade, short to long
21	30	26	Control (hold for 3 seconds)	000 ⇔ 255	See the Control Chart
22	–	–	Dot red	000 ⇔ 255	0–100%
23	–	–	Dot green	000 ⇔ 255	0–100%
24	–	–	Dot blue	000 ⇔ 255	0–100%
25	–	–	Dot white	000 ⇔ 255	0–100%

Operation

29	222	314	Function	Value	Percent/Setting
26	-	-	Cell red	000 ⇔ 255	0-100%
27	-	-	Cell green	000 ⇔ 255	0-100%
28	-	-	Cell blue	000 ⇔ 255	0-100%
29	-	-	Cell white	000 ⇔ 255	0-100%
-	-	27	Dot 1 dimmer	000 ⇔ 255	0-100%
-	-	28	Dot 1 fine dimmer	000 ⇔ 255	0-100%
-	31	29	Dot 1 red	000 ⇔ 255	0-100%
-	32	30	Dot 1 green	000 ⇔ 255	0-100%
-	33	31	Dot 1 blue	000 ⇔ 255	0-100%
-	34	32	Dot 1 white	000 ⇔ 255	0-100%
-	-	33	Dot 2 dimmer	000 ⇔ 255	0-100%
-	-	34	Dot 2 fine dimmer	000 ⇔ 255	0-100%
-	35	35	Dot 2 red	000 ⇔ 255	0-100%
-	36	36	Dot 2 green	000 ⇔ 255	0-100%
-	37	37	Dot 2 blue	000 ⇔ 255	0-100%
-	38	38	Dot 2 white	000 ⇔ 255	0-100%
-	-	39	Dot 3 dimmer	000 ⇔ 255	0-100%
-	-	40	Dot 3 fine dimmer	000 ⇔ 255	0-100%
-	39	41	Dot 3 red	000 ⇔ 255	0-100%
-	40	42	Dot 3 green	000 ⇔ 255	0-100%
-	41	43	Dot 3 blue	000 ⇔ 255	0-100%
-	42	44	Dot 3 white	000 ⇔ 255	0-100%
-	-	45	Dot 4 dimmer	000 ⇔ 255	0-100%
-	-	46	Dot 4 fine dimmer	000 ⇔ 255	0-100%
-	43	47	Dot 4 red	000 ⇔ 255	0-100%
-	44	48	Dot 4 green	000 ⇔ 255	0-100%
-	45	49	Dot 4 blue	000 ⇔ 255	0-100%
-	46	50	Dot 4 white	000 ⇔ 255	0-100%
-	-	51	Dot 5 dimmer	000 ⇔ 255	0-100%
-	-	52	Dot 5 fine dimmer	000 ⇔ 255	0-100%
-	47	53	Dot 5 red	000 ⇔ 255	0-100%
-	48	54	Dot 5 green	000 ⇔ 255	0-100%
-	49	55	Dot 5 blue	000 ⇔ 255	0-100%
-	50	56	Dot 5 white	000 ⇔ 255	0-100%
-	-	57	Dot 6 dimmer	000 ⇔ 255	0-100%
-	-	58	Dot 6 fine dimmer	000 ⇔ 255	0-100%
-	51	59	Dot 6 red	000 ⇔ 255	0-100%
-	52	60	Dot 6 green	000 ⇔ 255	0-100%
-	53	61	Dot 6 blue	000 ⇔ 255	0-100%
-	54	62	Dot 6 white	000 ⇔ 255	0-100%
-	-	63	Dot 7 dimmer	000 ⇔ 255	0-100%
-	-	64	Dot 7 fine dimmer	000 ⇔ 255	0-100%
-	55	65	Dot 7 red	000 ⇔ 255	0-100%
-	56	66	Dot 7 green	000 ⇔ 255	0-100%
-	57	67	Dot 7 blue	000 ⇔ 255	0-100%
-	58	68	Dot 7 white	000 ⇔ 255	0-100%
-	-	69	Dot 8 dimmer	000 ⇔ 255	0-100%

29	222	314	Function	Value	Percent/Setting
-	-	70	Dot 8 fine dimmer	000 ⇄ 255	0-100%
-	59	71	Dot 8 red	000 ⇄ 255	0-100%
-	60	72	Dot 8 green	000 ⇄ 255	0-100%
-	61	73	Dot 8 blue	000 ⇄ 255	0-100%
-	62	74	Dot 8 white	000 ⇄ 255	0-100%
-	-	75	Dot 9 dimmer	000 ⇄ 255	0-100%
-	-	76	Dot 9 fine dimmer	000 ⇄ 255	0-100%
-	63	77	Dot 9 red	000 ⇄ 255	0-100%
-	64	78	Dot 9 green	000 ⇄ 255	0-100%
-	65	79	Dot 9 blue	000 ⇄ 255	0-100%
-	66	80	Dot 9 white	000 ⇄ 255	0-100%
-	-	81	Dot 10 dimmer	000 ⇄ 255	0-100%
-	-	82	Dot 10 fine dimmer	000 ⇄ 255	0-100%
-	67	83	Dot 10 red	000 ⇄ 255	0-100%
-	68	84	Dot 10 green	000 ⇄ 255	0-100%
-	69	85	Dot 10 blue	000 ⇄ 255	0-100%
-	70	86	Dot 10 white	000 ⇄ 255	0-100%
-	-	87	Dot 11 dimmer	000 ⇄ 255	0-100%
-	-	88	Dot 11 fine dimmer	000 ⇄ 255	0-100%
-	71	89	Dot 11 red	000 ⇄ 255	0-100%
-	72	90	Dot 11 green	000 ⇄ 255	0-100%
-	73	91	Dot 11 blue	000 ⇄ 255	0-100%
-	74	92	Dot 11 white	000 ⇄ 255	0-100%
-	-	93	Dot 12 dimmer	000 ⇄ 255	0-100%
-	-	94	Dot 12 fine dimmer	000 ⇄ 255	0-100%
-	75	95	Dot 12 red	000 ⇄ 255	0-100%
-	76	96	Dot 12 green	000 ⇄ 255	0-100%
-	77	97	Dot 12 blue	000 ⇄ 255	0-100%
-	78	98	Dot 12 white	000 ⇄ 255	0-100%
-	-	99	Dot 13 dimmer	000 ⇄ 255	0-100%
-	-	100	Dot 13 fine dimmer	000 ⇄ 255	0-100%
-	79	101	Dot 13 red	000 ⇄ 255	0-100%
-	80	102	Dot 13 green	000 ⇄ 255	0-100%
-	81	103	Dot 13 blue	000 ⇄ 255	0-100%
-	82	104	Dot 13 white	000 ⇄ 255	0-100%
-	-	105	Dot 14 dimmer	000 ⇄ 255	0-100%
-	-	106	Dot 14 fine dimmer	000 ⇄ 255	0-100%
-	83	107	Dot 14 red	000 ⇄ 255	0-100%
-	84	108	Dot 14 green	000 ⇄ 255	0-100%
-	85	109	Dot 14 blue	000 ⇄ 255	0-100%
-	86	110	Dot 15 white	000 ⇄ 255	0-100%
-	-	111	Dot 15 dimmer	000 ⇄ 255	0-100%
-	-	112	Dot 15 fine dimmer	000 ⇄ 255	0-100%
-	87	113	Dot 15 red	000 ⇄ 255	0-100%
-	88	114	Dot 15 green	000 ⇄ 255	0-100%
-	89	115	Dot 15 blue	000 ⇄ 255	0-100%
-	90	116	Dot 15 white	000 ⇄ 255	0-100%

Operation

29	222	314	Function	Value	Percent/Setting
-	-	117	Dot 16 dimmer	000 ⇔ 255	0-100%
-	-	118	Dot 16 fine dimmer	000 ⇔ 255	0-100%
-	91	119	Dot 16 red	000 ⇔ 255	0-100%
-	92	120	Dot 16 green	000 ⇔ 255	0-100%
-	93	121	Dot 16 blue	000 ⇔ 255	0-100%
-	94	122	Dot 16 white	000 ⇔ 255	0-100%
-	-	123	Dot 17 dimmer	000 ⇔ 255	0-100%
-	-	124	Dot 17 fine dimmer	000 ⇔ 255	0-100%
-	95	125	Dot 17 red	000 ⇔ 255	0-100%
-	96	126	Dot 17 green	000 ⇔ 255	0-100%
-	97	127	Dot 17 blue	000 ⇔ 255	0-100%
-	98	128	Dot 17 white	000 ⇔ 255	0-100%
-	-	129	Dot 18 dimmer	000 ⇔ 255	0-100%
-	-	130	Dot 18 fine dimmer	000 ⇔ 255	0-100%
-	99	131	Dot 18 red	000 ⇔ 255	0-100%
-	100	132	Dot 18 green	000 ⇔ 255	0-100%
-	101	133	Dot 18 blue	000 ⇔ 255	0-100%
-	102	134	Dot 18 white	000 ⇔ 255	0-100%
-	-	135	Dot 19 dimmer	000 ⇔ 255	0-100%
-	-	136	Dot 19 fine dimmer	000 ⇔ 255	0-100%
-	103	137	Dot 19 red	000 ⇔ 255	0-100%
-	104	138	Dot 19 green	000 ⇔ 255	0-100%
-	105	139	Dot 19 blue	000 ⇔ 255	0-100%
-	106	140	Dot 19 white	000 ⇔ 255	0-100%
-	-	141	Dot 20 dimmer	000 ⇔ 255	0-100%
-	-	142	Dot 20 fine dimmer	000 ⇔ 255	0-100%
-	107	143	Dot 20 red	000 ⇔ 255	0-100%
-	108	144	Dot 20 green	000 ⇔ 255	0-100%
-	109	145	Dot 20 blue	000 ⇔ 255	0-100%
-	110	146	Dot 20 white	000 ⇔ 255	0-100%
-	-	147	Dot 21 dimmer	000 ⇔ 255	0-100%
-	-	148	Dot 21 fine dimmer	000 ⇔ 255	0-100%
-	111	149	Dot 21 red	000 ⇔ 255	0-100%
-	112	150	Dot 21 green	000 ⇔ 255	0-100%
-	113	151	Dot 21 blue	000 ⇔ 255	0-100%
-	114	152	Dot 21 white	000 ⇔ 255	0-100%
-	-	153	Dot 22 dimmer	000 ⇔ 255	0-100%
-	-	154	Dot 22 fine dimmer	000 ⇔ 255	0-100%
-	115	155	Dot 22 red	000 ⇔ 255	0-100%
-	116	156	Dot 22 green	000 ⇔ 255	0-100%
-	117	157	Dot 22 blue	000 ⇔ 255	0-100%
-	118	158	Dot 22 white	000 ⇔ 255	0-100%
-	-	159	Dot 23 dimmer	000 ⇔ 255	0-100%
-	-	160	Dot 23 fine dimmer	000 ⇔ 255	0-100%
-	119	161	Dot 23 red	000 ⇔ 255	0-100%
-	120	162	Dot 23 green	000 ⇔ 255	0-100%
-	121	163	Dot 23 blue	000 ⇔ 255	0-100%

29	222	314	Function	Value	Percent/Setting
-	122	164	Dot 23 white	000 ⇄ 255	0-100%
-	-	165	Dot 24 dimmer	000 ⇄ 255	0-100%
-	-	166	Dot 24 fine dimmer	000 ⇄ 255	0-100%
-	123	167	Dot 24 red	000 ⇄ 255	0-100%
-	124	168	Dot 24 green	000 ⇄ 255	0-100%
-	125	169	Dot 24 blue	000 ⇄ 255	0-100%
-	126	170	Dot 24 white	000 ⇄ 255	0-100%
-	-	171	Cell 1 dimmer	000 ⇄ 255	0-100%
-	-	172	Cell 1 fine dimmer	000 ⇄ 255	0-100%
-	127	173	Cell 1 red	000 ⇄ 255	0-100%
-	128	174	Cell 1 green	000 ⇄ 255	0-100%
-	129	175	Cell 1 blue	000 ⇄ 255	0-100%
-	130	176	Cell 1 white	000 ⇄ 255	0-100%
-	-	177	Cell 2 dimmer	000 ⇄ 255	0-100%
-	-	178	Cell 2 fine dimmer	000 ⇄ 255	0-100%
-	131	179	Cell 2 red	000 ⇄ 255	0-100%
-	132	180	Cell 2 green	000 ⇄ 255	0-100%
-	133	181	Cell 2 blue	000 ⇄ 255	0-100%
-	134	182	Cell 2 white	000 ⇄ 255	0-100%
-	-	183	Cell 3 dimmer	000 ⇄ 255	0-100%
-	-	184	Cell 3 fine dimmer	000 ⇄ 255	0-100%
-	135	185	Cell 3 red	000 ⇄ 255	0-100%
-	136	186	Cell 3 green	000 ⇄ 255	0-100%
-	137	187	Cell 3 blue	000 ⇄ 255	0-100%
-	138	188	Cell 3 white	000 ⇄ 255	0-100%
-	-	189	Cell 4 dimmer	000 ⇄ 255	0-100%
-	-	190	Cell 4 fine dimmer	000 ⇄ 255	0-100%
-	139	191	Cell 4 red	000 ⇄ 255	0-100%
-	140	192	Cell 4 green	000 ⇄ 255	0-100%
-	141	193	Cell 4 blue	000 ⇄ 255	0-100%
-	142	194	Cell 4 white	000 ⇄ 255	0-100%
-	-	195	Cell 5 dimmer	000 ⇄ 255	0-100%
-	-	196	Cell 5 fine dimmer	000 ⇄ 255	0-100%
-	143	197	Cell 5 red	000 ⇄ 255	0-100%
-	144	198	Cell 5 green	000 ⇄ 255	0-100%
-	145	199	Cell 5 blue	000 ⇄ 255	0-100%
-	146	200	Cell 5 white	000 ⇄ 255	0-100%
-	-	201	Cell 6 dimmer	000 ⇄ 255	0-100%
-	-	202	Cell 6 fine dimmer	000 ⇄ 255	0-100%
-	147	203	Cell 6 red	000 ⇄ 255	0-100%
-	148	204	Cell 6 green	000 ⇄ 255	0-100%
-	149	205	Cell 6 blue	000 ⇄ 255	0-100%
-	150	206	Cell 6 white	000 ⇄ 255	0-100%
-	-	207	Cell 7 dimmer	000 ⇄ 255	0-100%
-	-	208	Cell 7 fine dimmer	000 ⇄ 255	0-100%
-	151	209	Cell 7 red	000 ⇄ 255	0-100%
-	152	210	Cell 7 green	000 ⇄ 255	0-100%

Operation

29	222	314	Function	Value	Percent/Setting
-	153	211	Cell 7 blue	000 ⇔ 255	0-100%
-	154	212	Cell 7 white	000 ⇔ 255	0-100%
-	-	213	Cell 8 dimmer	000 ⇔ 255	0-100%
-	-	214	Cell 8 fine dimmer	000 ⇔ 255	0-100%
-	155	215	Cell 8 red	000 ⇔ 255	0-100%
-	156	216	Cell 8 green	000 ⇔ 255	0-100%
-	157	217	Cell 8 blue	000 ⇔ 255	0-100%
-	158	218	Cell 8 white	000 ⇔ 255	0-100%
-	-	219	Cell 9 dimmer	000 ⇔ 255	0-100%
-	-	220	Cell 9 fine dimmer	000 ⇔ 255	0-100%
-	159	221	Cell 9 red	000 ⇔ 255	0-100%
-	160	222	Cell 9 green	000 ⇔ 255	0-100%
-	161	223	Cell 9 blue	000 ⇔ 255	0-100%
-	162	224	Cell 9 white	000 ⇔ 255	0-100%
-	-	225	Cell 10 dimmer	000 ⇔ 255	0-100%
-	-	226	Cell 10 fine dimmer	000 ⇔ 255	0-100%
-	163	227	Cell 10 red	000 ⇔ 255	0-100%
-	164	228	Cell 10 green	000 ⇔ 255	0-100%
-	165	229	Cell 10 blue	000 ⇔ 255	0-100%
-	166	230	Cell 10 white	000 ⇔ 255	0-100%
-	-	231	Cell 11 dimmer	000 ⇔ 255	0-100%
-	-	232	Cell 11 fine dimmer	000 ⇔ 255	0-100%
-	167	233	Cell 11 red	000 ⇔ 255	0-100%
-	168	234	Cell 11 green	000 ⇔ 255	0-100%
-	169	235	Cell 11 blue	000 ⇔ 255	0-100%
-	170	236	Cell 11 white	000 ⇔ 255	0-100%
-	-	237	Cell 12 dimmer	000 ⇔ 255	0-100%
-	-	238	Cell 12 fine dimmer	000 ⇔ 255	0-100%
-	171	239	Cell 12 red	000 ⇔ 255	0-100%
-	172	240	Cell 12 green	000 ⇔ 255	0-100%
-	173	241	Cell 12 blue	000 ⇔ 255	0-100%
-	174	242	Cell 12 white	000 ⇔ 255	0-100%
-	-	243	Cell 13 dimmer	000 ⇔ 255	0-100%
-	-	244	Cell 13 fine dimmer	000 ⇔ 255	0-100%
-	175	245	Cell 13 red	000 ⇔ 255	0-100%
-	176	246	Cell 13 green	000 ⇔ 255	0-100%
-	177	247	Cell 13 blue	000 ⇔ 255	0-100%
-	178	248	Cell 13 white	000 ⇔ 255	0-100%
-	-	249	Cell 14 dimmer	000 ⇔ 255	0-100%
-	-	250	Cell 14 fine dimmer	000 ⇔ 255	0-100%
-	179	251	Cell 14 red	000 ⇔ 255	0-100%
-	180	252	Cell 14 green	000 ⇔ 255	0-100%
-	181	253	Cell 14 blue	000 ⇔ 255	0-100%
-	182	254	Cell 14 white	000 ⇔ 255	0-100%
-	-	255	Cell 15 dimmer	000 ⇔ 255	0-100%
-	-	256	Cell 15 fine dimmer	000 ⇔ 255	0-100%
-	183	257	Cell 15 red	000 ⇔ 255	0-100%

29	222	314	Function	Value	Percent/Setting
-	184	258	Cell 15 green	000 ⇔ 255	0-100%
-	185	259	Cell 15 blue	000 ⇔ 255	0-100%
-	186	260	Cell 15 white	000 ⇔ 255	0-100%
-	-	261	Cell 16 dimmer	000 ⇔ 255	0-100%
-	-	262	Cell 16 fine dimmer	000 ⇔ 255	0-100%
-	187	263	Cell 16 red	000 ⇔ 255	0-100%
-	188	264	Cell 16 green	000 ⇔ 255	0-100%
-	189	265	Cell 16 blue	000 ⇔ 255	0-100%
-	190	266	Cell 16 white	000 ⇔ 255	0-100%
-	-	267	Cell 17 dimmer	000 ⇔ 255	0-100%
-	-	268	Cell 17 fine dimmer	000 ⇔ 255	0-100%
-	191	269	Cell 17 red	000 ⇔ 255	0-100%
-	192	270	Cell 17 green	000 ⇔ 255	0-100%
-	193	271	Cell 17 blue	000 ⇔ 255	0-100%
-	194	272	Cell 17 white	000 ⇔ 255	0-100%
-	-	273	Cell 18 dimmer	000 ⇔ 255	0-100%
-	-	274	Cell 18 fine dimmer	000 ⇔ 255	0-100%
-	195	275	Cell 18 red	000 ⇔ 255	0-100%
-	196	276	Cell 18 green	000 ⇔ 255	0-100%
-	197	277	Cell 18 blue	000 ⇔ 255	0-100%
-	198	278	Cell 18 white	000 ⇔ 255	0-100%
-	-	279	Cell 19 dimmer	000 ⇔ 255	0-100%
-	-	280	Cell 19 fine dimmer	000 ⇔ 255	0-100%
-	199	281	Cell 19 red	000 ⇔ 255	0-100%
-	200	282	Cell 19 green	000 ⇔ 255	0-100%
-	201	283	Cell 19 blue	000 ⇔ 255	0-100%
-	202	284	Cell 19 white	000 ⇔ 255	0-100%
-	-	285	Cell 20 dimmer	000 ⇔ 255	0-100%
-	-	286	Cell 20 fine dimmer	000 ⇔ 255	0-100%
-	203	287	Cell 20 red	000 ⇔ 255	0-100%
-	204	288	Cell 20 green	000 ⇔ 255	0-100%
-	205	289	Cell 20 blue	000 ⇔ 255	0-100%
-	206	290	Cell 20 white	000 ⇔ 255	0-100%
-	-	291	Cell 21 dimmer	000 ⇔ 255	0-100%
-	-	292	Cell 21 fine dimmer	000 ⇔ 255	0-100%
-	207	293	Cell 21 red	000 ⇔ 255	0-100%
-	208	294	Cell 21 green	000 ⇔ 255	0-100%
-	209	295	Cell 21 blue	000 ⇔ 255	0-100%
-	210	296	Cell 21 white	000 ⇔ 255	0-100%
-	-	297	Cell 22 dimmer	000 ⇔ 255	0-100%
-	-	298	Cell 22 fine dimmer	000 ⇔ 255	0-100%
-	211	299	Cell 22 red	000 ⇔ 255	0-100%
-	212	300	Cell 22 green	000 ⇔ 255	0-100%
-	213	301	Cell 22 blue	000 ⇔ 255	0-100%
-	214	302	Cell 22 white	000 ⇔ 255	0-100%
-	-	303	Cell 23 dimmer	000 ⇔ 255	0-100%
-	-	304	Cell 23 fine dimmer	000 ⇔ 255	0-100%

Operation

29	222	314	Function	Value	Percent/Setting
-	215	305	Cell 23 red	000 ⇔ 255	0–100%
-	216	306	Cell 23 green	000 ⇔ 255	0–100%
-	217	307	Cell 23 blue	000 ⇔ 255	0–100%
-	218	308	Cell 23 white	000 ⇔ 255	0–100%
-	-	309	Cell 24 dimmer	000 ⇔ 255	0–100%
-	-	310	Cell 24 fine dimmer	000 ⇔ 255	0–100%
-	219	311	Cell 24 red	000 ⇔ 255	0–100%
-	220	312	Cell 24 green	000 ⇔ 255	0–100%
-	221	313	Cell 24 blue	000 ⇔ 255	0–100%
-	222	314	Cell 24 white	000 ⇔ 255	0–100%

Movement Mode 30CH

Channel	Function	Value	Percent/Setting
1	Tilt	000 ⇔ 255	0–100%
2	Fine tilt	000 ⇔ 255	0–100%
3	Tilt speed	000 ⇔ 255	Fast to slow
4	E-frost	000 ⇔ 255	0–100%
5	Dot dimmer	000 ⇔ 255	0–100%
6	Dot fine dimmer	000 ⇔ 255	0–100%
7	Cell dimmer	000 ⇔ 255	0–100%
8	Cell fine dimmer	000 ⇔ 255	0–100%
9	Dot strobe duration	000 ⇔ 009	Classic strobe mode: disables duration control
		010 ⇔ 250	Short to long (7–650 ms)
		251 ⇔ 255	100% on
10	Dot strobe rate	000 ⇔ 009	100% on
		010 ⇔ 250	Slow to fast (0.289–16.67 Hz)
		251 ⇔ 255	100% on
11	Cell strobe duration	000 ⇔ 009	Classic strobe mode: disables duration control
		010 ⇔ 250	Short to long (7–650 ms)
		251 ⇔ 255	100% on
12	Cell strobe rate	000 ⇔ 009	100% on
		010 ⇔ 250	Slow to fast (0.289–16.67 Hz)
		251 ⇔ 255	100% on
13	Dot strobe effect	000 ⇔ 005	No function
		006 ⇔ 042	Fade up
		043 ⇔ 085	Fade down
		086 ⇔ 128	Fade up and down
		129 ⇔ 171	Random strobe
		172 ⇔ 214	Lightning strobe
215 ⇔ 255	Spike strobe		

Channel	Function	Value	Percent/Setting
14	Cell strobe effect	000 ⇔ 005	No function
		006 ⇔ 042	Fade up
		043 ⇔ 085	Fade down
		086 ⇔ 128	Fade up and down
		129 ⇔ 171	Random strobe
		172 ⇔ 214	Lightning strobe
		215 ⇔ 255	Spike strobe
15	Color temperature	000 ⇔ 255	See the Color Temperature Chart
16	Dot foreground dimmer	000 ⇔ 255	0–100%
17	Dot foreground color	000 ⇔ 255	See the Color Macro Chart
18	Dot background dimmer	000 ⇔ 255	0–100%
19	Dot background color	000 ⇔ 255	See the Color Macro Chart
20	Dot FX macro	000 ⇔ 255	See the FX Macro Chart
21	Dot FX macro direction and speed	000 ⇔ 005	No function
		006 ⇔ 124	Left to right, fast to slow
		125 ⇔ 130	No function
		131 ⇔ 249	Right to left, slow to fast
		250 ⇔ 255	No function
22	Dot FX macro delay	000 ⇔ 002	Snap
		003 ⇔ 255	Fade, short to long
23	Cell foreground dimmer	000 ⇔ 255	0–100%
24	Cell foreground color	000 ⇔ 255	See the Color Macro Chart
25	Cell background dimmer	000 ⇔ 255	0–100%
26	Cell background color	000 ⇔ 255	See the Color Macro Chart
27	Cell FX macro	000 ⇔ 255	See the FX Macro Chart
28	Cell FX macro direction and speed	000 ⇔ 005	No function
		006 ⇔ 124	Left to right, fast to slow
		125 ⇔ 130	No function
		131 ⇔ 249	Right to left, slow to fast
		250 ⇔ 255	No function
29	Cell FX macro delay	000 ⇔ 002	Snap
		003 ⇔ 255	Fade, short to long
30	Control (hold for 3 seconds)	000 ⇔ 255	See the Control Chart

Operation

Dual Control Pixels Modes

144	192	240	288	Function	Value	Percent/Setting
-	-	1	1	Dot 1 dimmer	000 ⇄ 255	0–100%
-	-	2	2	Dot 1 fine dimmer	000 ⇄ 255	0–100%
1	1	3	3	Dot 1 red	000 ⇄ 255	0–100%
2	2	4	4	Dot 1 green	000 ⇄ 255	0–100%
3	3	5	5	Dot 1 blue	000 ⇄ 255	0–100%
-	4	-	6	Dot 1 white	000 ⇄ 255	0–100%
-	-	6	7	Dot 2 dimmer	000 ⇄ 255	0–100%
-	-	7	8	Dot 2 fine dimmer	000 ⇄ 255	0–100%
4	5	8	9	Dot 2 red	000 ⇄ 255	0–100%
5	6	9	10	Dot 2 green	000 ⇄ 255	0–100%
6	7	10	11	Dot 2 blue	000 ⇄ 255	0–100%
-	8	-	12	Dot 2 white	000 ⇄ 255	0–100%
-	-	11	13	Dot 3 dimmer	000 ⇄ 255	0–100%
-	-	12	14	Dot 3 fine dimmer	000 ⇄ 255	0–100%
7	9	13	15	Dot 3 red	000 ⇄ 255	0–100%
8	10	14	16	Dot 3 green	000 ⇄ 255	0–100%
9	11	15	17	Dot 3 blue	000 ⇄ 255	0–100%
-	12	-	18	Dot 3 white	000 ⇄ 255	0–100%
-	-	16	19	Dot 4 dimmer	000 ⇄ 255	0–100%
-	-	17	20	Dot 4 fine dimmer	000 ⇄ 255	0–100%
10	13	18	21	Dot 4 red	000 ⇄ 255	0–100%
11	14	19	22	Dot 4 green	000 ⇄ 255	0–100%
12	15	20	23	Dot 4 blue	000 ⇄ 255	0–100%
-	16	-	24	Dot 4 white	000 ⇄ 255	0–100%
-	-	21	25	Dot 5 dimmer	000 ⇄ 255	0–100%
-	-	22	26	Dot 5 fine dimmer	000 ⇄ 255	0–100%
13	17	23	27	Dot 5 red	000 ⇄ 255	0–100%
14	18	24	28	Dot 5 green	000 ⇄ 255	0–100%
15	19	25	29	Dot 5 blue	000 ⇄ 255	0–100%
-	20	-	30	Dot 5 white	000 ⇄ 255	0–100%
-	-	26	31	Dot 6 dimmer	000 ⇄ 255	0–100%
-	-	27	32	Dot 6 fine dimmer	000 ⇄ 255	0–100%
16	21	28	33	Dot 6 red	000 ⇄ 255	0–100%
17	22	29	34	Dot 6 green	000 ⇄ 255	0–100%
18	23	30	35	Dot 6 blue	000 ⇄ 255	0–100%
-	24	-	36	Dot 6 white	000 ⇄ 255	0–100%
-	-	31	37	Dot 7 dimmer	000 ⇄ 255	0–100%
-	-	32	38	Dot 7 fine dimmer	000 ⇄ 255	0–100%
19	25	33	39	Dot 7 red	000 ⇄ 255	0–100%
20	26	34	40	Dot 7 green	000 ⇄ 255	0–100%
21	27	35	41	Dot 7 blue	000 ⇄ 255	0–100%
-	28	-	42	Dot 7 white	000 ⇄ 255	0–100%
-	-	36	43	Dot 8 dimmer	000 ⇄ 255	0–100%
-	-	37	44	Dot 8 fine dimmer	000 ⇄ 255	0–100%
22	29	38	45	Dot 8 red	000 ⇄ 255	0–100%
23	30	39	46	Dot 8 green	000 ⇄ 255	0–100%

144	192	240	288	Function	Value	Percent/Setting
24	31	40	47	Dot 8 blue	000 ⇔ 255	0–100%
–	32	–	48	Dot 8 white	000 ⇔ 255	0–100%
–	–	41	49	Dot 9 dimmer	000 ⇔ 255	0–100%
–	–	42	50	Dot 9 fine dimmer	000 ⇔ 255	0–100%
25	33	43	51	Dot 9 red	000 ⇔ 255	0–100%
26	34	44	52	Dot 9 green	000 ⇔ 255	0–100%
27	35	45	53	Dot 9 blue	000 ⇔ 255	0–100%
–	36	–	54	Dot 9 white	000 ⇔ 255	0–100%
–	–	46	55	Dot 10 dimmer	000 ⇔ 255	0–100%
–	–	47	56	Dot 10 fine dimmer	000 ⇔ 255	0–100%
28	37	48	57	Dot 10 red	000 ⇔ 255	0–100%
29	38	49	58	Dot 10 green	000 ⇔ 255	0–100%
30	39	50	59	Dot 10 blue	000 ⇔ 255	0–100%
–	40	–	60	Dot 10 white	000 ⇔ 255	0–100%
–	–	51	61	Dot 11 dimmer	000 ⇔ 255	0–100%
–	–	52	62	Dot 11 fine dimmer	000 ⇔ 255	0–100%
31	41	53	63	Dot 11 red	000 ⇔ 255	0–100%
32	42	54	64	Dot 11 green	000 ⇔ 255	0–100%
33	43	55	65	Dot 11 blue	000 ⇔ 255	0–100%
–	44	–	66	Dot 11 white	000 ⇔ 255	0–100%
–	–	56	67	Dot 12 dimmer	000 ⇔ 255	0–100%
–	–	57	68	Dot 12 fine dimmer	000 ⇔ 255	0–100%
34	45	58	69	Dot 12 red	000 ⇔ 255	0–100%
35	46	59	70	Dot 12 green	000 ⇔ 255	0–100%
36	47	60	71	Dot 12 blue	000 ⇔ 255	0–100%
–	48	–	72	Dot 12 white	000 ⇔ 255	0–100%
–	–	61	73	Dot 13 dimmer	000 ⇔ 255	0–100%
–	–	62	74	Dot 13 fine dimmer	000 ⇔ 255	0–100%
37	49	63	75	Dot 13 red	000 ⇔ 255	0–100%
38	50	64	76	Dot 13 green	000 ⇔ 255	0–100%
39	51	65	77	Dot 13 blue	000 ⇔ 255	0–100%
–	52	–	78	Dot 13 white	000 ⇔ 255	0–100%
–	–	66	79	Dot 14 dimmer	000 ⇔ 255	0–100%
–	–	67	80	Dot 14 fine dimmer	000 ⇔ 255	0–100%
40	53	68	81	Dot 14 red	000 ⇔ 255	0–100%
41	54	69	82	Dot 14 green	000 ⇔ 255	0–100%
42	55	70	83	Dot 14 blue	000 ⇔ 255	0–100%
–	56	–	84	Dot 15 white	000 ⇔ 255	0–100%
–	–	71	85	Dot 15 dimmer	000 ⇔ 255	0–100%
–	–	72	86	Dot 15 fine dimmer	000 ⇔ 255	0–100%
43	57	73	87	Dot 15 red	000 ⇔ 255	0–100%
44	58	74	88	Dot 15 green	000 ⇔ 255	0–100%
45	59	75	89	Dot 15 blue	000 ⇔ 255	0–100%
–	60	–	90	Dot 15 white	000 ⇔ 255	0–100%
–	–	76	91	Dot 16 dimmer	000 ⇔ 255	0–100%
–	–	77	92	Dot 16 fine dimmer	000 ⇔ 255	0–100%
46	61	78	93	Dot 16 red	000 ⇔ 255	0–100%

Operation

144	192	240	288	Function	Value	Percent/Setting
47	62	79	94	Dot 16 green	000 ⇄ 255	0–100%
48	63	80	95	Dot 16 blue	000 ⇄ 255	0–100%
–	64	–	96	Dot 16 white	000 ⇄ 255	0–100%
–	–	81	97	Dot 17 dimmer	000 ⇄ 255	0–100%
–	–	82	98	Dot 17 fine dimmer	000 ⇄ 255	0–100%
49	65	83	99	Dot 17 red	000 ⇄ 255	0–100%
50	66	84	100	Dot 17 green	000 ⇄ 255	0–100%
51	67	85	101	Dot 17 blue	000 ⇄ 255	0–100%
–	68	–	102	Dot 17 white	000 ⇄ 255	0–100%
–	–	86	103	Dot 18 dimmer	000 ⇄ 255	0–100%
–	–	87	104	Dot 18 fine dimmer	000 ⇄ 255	0–100%
52	69	88	105	Dot 18 red	000 ⇄ 255	0–100%
53	70	89	106	Dot 18 green	000 ⇄ 255	0–100%
54	71	90	107	Dot 18 blue	000 ⇄ 255	0–100%
–	72	–	108	Dot 18 white	000 ⇄ 255	0–100%
–	–	91	109	Dot 19 dimmer	000 ⇄ 255	0–100%
–	–	92	110	Dot 19 fine dimmer	000 ⇄ 255	0–100%
55	73	93	111	Dot 19 red	000 ⇄ 255	0–100%
56	74	94	112	Dot 19 green	000 ⇄ 255	0–100%
57	75	95	113	Dot 19 blue	000 ⇄ 255	0–100%
–	76	–	114	Dot 19 white	000 ⇄ 255	0–100%
–	–	96	115	Dot 20 dimmer	000 ⇄ 255	0–100%
–	–	97	116	Dot 20 fine dimmer	000 ⇄ 255	0–100%
58	77	98	117	Dot 20 red	000 ⇄ 255	0–100%
59	78	99	118	Dot 20 green	000 ⇄ 255	0–100%
60	79	100	119	Dot 20 blue	000 ⇄ 255	0–100%
–	80	–	120	Dot 20 white	000 ⇄ 255	0–100%
–	–	101	121	Dot 21 dimmer	000 ⇄ 255	0–100%
–	–	102	122	Dot 21 fine dimmer	000 ⇄ 255	0–100%
61	81	103	123	Dot 21 red	000 ⇄ 255	0–100%
62	82	104	124	Dot 21 green	000 ⇄ 255	0–100%
63	83	105	125	Dot 21 blue	000 ⇄ 255	0–100%
–	84	–	126	Dot 21 white	000 ⇄ 255	0–100%
–	–	106	127	Dot 22 dimmer	000 ⇄ 255	0–100%
–	–	107	128	Dot 22 fine dimmer	000 ⇄ 255	0–100%
64	85	108	129	Dot 22 red	000 ⇄ 255	0–100%
65	86	109	130	Dot 22 green	000 ⇄ 255	0–100%
66	87	110	131	Dot 22 blue	000 ⇄ 255	0–100%
–	88	–	132	Dot 22 white	000 ⇄ 255	0–100%
–	–	111	133	Dot 23 dimmer	000 ⇄ 255	0–100%
–	–	112	134	Dot 23 fine dimmer	000 ⇄ 255	0–100%
67	89	113	135	Dot 23 red	000 ⇄ 255	0–100%
68	90	114	136	Dot 23 green	000 ⇄ 255	0–100%
69	91	115	137	Dot 23 blue	000 ⇄ 255	0–100%
–	92	–	138	Dot 23 white	000 ⇄ 255	0–100%
–	–	116	139	Dot 24 dimmer	000 ⇄ 255	0–100%
–	–	117	140	Dot 24 fine dimmer	000 ⇄ 255	0–100%

144	192	240	288	Function	Value	Percent/Setting
70	93	118	141	Dot 24 red	000 ⇄ 255	0–100%
71	94	119	142	Dot 24 green	000 ⇄ 255	0–100%
72	95	120	143	Dot 24 blue	000 ⇄ 255	0–100%
–	96	–	144	Dot 24 white	000 ⇄ 255	0–100%
–	–	121	145	Cell 1 dimmer	000 ⇄ 255	0–100%
–	–	122	146	Cell 1 fine dimmer	000 ⇄ 255	0–100%
73	97	123	147	Cell 1 red	000 ⇄ 255	0–100%
74	98	124	148	Cell 1 green	000 ⇄ 255	0–100%
75	99	125	149	Cell 1 blue	000 ⇄ 255	0–100%
–	100	–	150	Cell 1 white	000 ⇄ 255	0–100%
–	–	126	151	Cell 2 dimmer	000 ⇄ 255	0–100%
–	–	127	152	Cell 2 fine dimmer	000 ⇄ 255	0–100%
76	101	128	153	Cell 2 red	000 ⇄ 255	0–100%
77	102	129	154	Cell 2 green	000 ⇄ 255	0–100%
78	103	130	155	Cell 2 blue	000 ⇄ 255	0–100%
–	104	–	156	Cell 2 white	000 ⇄ 255	0–100%
–	–	131	157	Cell 3 dimmer	000 ⇄ 255	0–100%
–	–	132	158	Cell 3 fine dimmer	000 ⇄ 255	0–100%
79	105	133	159	Cell 3 red	000 ⇄ 255	0–100%
80	106	134	160	Cell 3 green	000 ⇄ 255	0–100%
81	107	135	161	Cell 3 blue	000 ⇄ 255	0–100%
–	108	–	162	Cell 3 white	000 ⇄ 255	0–100%
–	–	136	163	Cell 4 dimmer	000 ⇄ 255	0–100%
–	–	137	164	Cell 4 fine dimmer	000 ⇄ 255	0–100%
82	109	138	165	Cell 4 red	000 ⇄ 255	0–100%
83	110	139	166	Cell 4 green	000 ⇄ 255	0–100%
84	111	140	167	Cell 4 blue	000 ⇄ 255	0–100%
–	112	–	168	Cell 4 white	000 ⇄ 255	0–100%
–	–	141	169	Cell 5 dimmer	000 ⇄ 255	0–100%
–	–	142	170	Cell 5 fine dimmer	000 ⇄ 255	0–100%
85	113	143	171	Cell 5 red	000 ⇄ 255	0–100%
86	114	144	172	Cell 5 green	000 ⇄ 255	0–100%
87	115	145	173	Cell 5 blue	000 ⇄ 255	0–100%
–	116	–	174	Cell 5 white	000 ⇄ 255	0–100%
–	–	146	175	Cell 6 dimmer	000 ⇄ 255	0–100%
–	–	147	176	Cell 6 fine dimmer	000 ⇄ 255	0–100%
88	117	148	177	Cell 6 red	000 ⇄ 255	0–100%
89	118	149	178	Cell 6 green	000 ⇄ 255	0–100%
90	119	150	179	Cell 6 blue	000 ⇄ 255	0–100%
–	120	–	180	Cell 6 white	000 ⇄ 255	0–100%
–	–	151	181	Cell 7 dimmer	000 ⇄ 255	0–100%
–	–	152	182	Cell 7 fine dimmer	000 ⇄ 255	0–100%
91	121	153	183	Cell 7 red	000 ⇄ 255	0–100%
92	122	154	184	Cell 7 green	000 ⇄ 255	0–100%
93	123	155	185	Cell 7 blue	000 ⇄ 255	0–100%
–	124	–	186	Cell 7 white	000 ⇄ 255	0–100%
–	–	156	187	Cell 8 dimmer	000 ⇄ 255	0–100%

Operation

144	192	240	288	Function	Value	Percent/Setting
–	–	157	188	Cell 8 fine dimmer	000 ⇄ 255	0–100%
94	125	158	189	Cell 8 red	000 ⇄ 255	0–100%
95	126	159	190	Cell 8 green	000 ⇄ 255	0–100%
96	127	160	191	Cell 8 blue	000 ⇄ 255	0–100%
–	128	–	192	Cell 8 white	000 ⇄ 255	0–100%
–	–	161	193	Cell 9 dimmer	000 ⇄ 255	0–100%
–	–	162	194	Cell 9 fine dimmer	000 ⇄ 255	0–100%
97	129	163	195	Cell 9 red	000 ⇄ 255	0–100%
98	130	164	196	Cell 9 green	000 ⇄ 255	0–100%
99	131	165	197	Cell 9 blue	000 ⇄ 255	0–100%
–	132	–	198	Cell 9 white	000 ⇄ 255	0–100%
–	–	166	199	Cell 10 dimmer	000 ⇄ 255	0–100%
–	–	167	200	Cell 10 fine dimmer	000 ⇄ 255	0–100%
100	133	168	201	Cell 10 red	000 ⇄ 255	0–100%
101	134	169	202	Cell 10 green	000 ⇄ 255	0–100%
102	135	170	203	Cell 10 blue	000 ⇄ 255	0–100%
–	136	–	204	Cell 10 white	000 ⇄ 255	0–100%
–	–	171	205	Cell 11 dimmer	000 ⇄ 255	0–100%
–	–	172	206	Cell 11 fine dimmer	000 ⇄ 255	0–100%
103	137	173	207	Cell 11 red	000 ⇄ 255	0–100%
104	138	174	208	Cell 11 green	000 ⇄ 255	0–100%
105	139	175	209	Cell 11 blue	000 ⇄ 255	0–100%
–	140	–	210	Cell 11 white	000 ⇄ 255	0–100%
–	–	176	211	Cell 12 dimmer	000 ⇄ 255	0–100%
–	–	177	212	Cell 12 fine dimmer	000 ⇄ 255	0–100%
106	141	178	213	Cell 12 red	000 ⇄ 255	0–100%
107	142	179	214	Cell 12 green	000 ⇄ 255	0–100%
108	143	180	215	Cell 12 blue	000 ⇄ 255	0–100%
–	144	–	216	Cell 12 white	000 ⇄ 255	0–100%
–	–	181	217	Cell 13 dimmer	000 ⇄ 255	0–100%
–	–	182	218	Cell 13 fine dimmer	000 ⇄ 255	0–100%
109	145	183	219	Cell 13 red	000 ⇄ 255	0–100%
110	146	184	220	Cell 13 green	000 ⇄ 255	0–100%
111	147	185	221	Cell 13 blue	000 ⇄ 255	0–100%
–	148	–	222	Cell 13 white	000 ⇄ 255	0–100%
–	–	186	223	Cell 14 dimmer	000 ⇄ 255	0–100%
–	–	187	224	Cell 14 fine dimmer	000 ⇄ 255	0–100%
112	149	188	225	Cell 14 red	000 ⇄ 255	0–100%
113	150	189	226	Cell 14 green	000 ⇄ 255	0–100%
114	151	190	227	Cell 14 blue	000 ⇄ 255	0–100%
–	152	–	228	Cell 14 white	000 ⇄ 255	0–100%
–	–	191	229	Cell 15 dimmer	000 ⇄ 255	0–100%
–	–	192	230	Cell 15 fine dimmer	000 ⇄ 255	0–100%
115	153	193	231	Cell 15 red	000 ⇄ 255	0–100%
116	154	194	232	Cell 15 green	000 ⇄ 255	0–100%
117	155	195	233	Cell 15 blue	000 ⇄ 255	0–100%
–	156	–	234	Cell 15 white	000 ⇄ 255	0–100%

144	192	240	288	Function	Value	Percent/Setting
-	-	196	235	Cell 16 dimmer	000 ⇄ 255	0–100%
-	-	197	236	Cell 16 fine dimmer	000 ⇄ 255	0–100%
118	157	198	237	Cell 16 red	000 ⇄ 255	0–100%
119	158	199	238	Cell 16 green	000 ⇄ 255	0–100%
120	159	200	239	Cell 16 blue	000 ⇄ 255	0–100%
-	160	-	240	Cell 16 white	000 ⇄ 255	0–100%
-	-	201	241	Cell 17 dimmer	000 ⇄ 255	0–100%
-	-	202	242	Cell 17 fine dimmer	000 ⇄ 255	0–100%
121	161	203	243	Cell 17 red	000 ⇄ 255	0–100%
122	162	204	244	Cell 17 green	000 ⇄ 255	0–100%
123	163	205	245	Cell 17 blue	000 ⇄ 255	0–100%
-	164	-	246	Cell 17 white	000 ⇄ 255	0–100%
-	-	206	247	Cell 18 dimmer	000 ⇄ 255	0–100%
-	-	207	248	Cell 18 fine dimmer	000 ⇄ 255	0–100%
124	165	208	249	Cell 18 red	000 ⇄ 255	0–100%
125	166	209	250	Cell 18 green	000 ⇄ 255	0–100%
126	167	210	251	Cell 18 blue	000 ⇄ 255	0–100%
-	168	-	252	Cell 18 white	000 ⇄ 255	0–100%
-	-	211	253	Cell 19 dimmer	000 ⇄ 255	0–100%
-	-	212	254	Cell 19 fine dimmer	000 ⇄ 255	0–100%
127	169	213	255	Cell 19 red	000 ⇄ 255	0–100%
128	170	214	256	Cell 19 green	000 ⇄ 255	0–100%
129	171	215	257	Cell 19 blue	000 ⇄ 255	0–100%
-	172	-	258	Cell 19 white	000 ⇄ 255	0–100%
-	-	216	259	Cell 20 dimmer	000 ⇄ 255	0–100%
-	-	217	260	Cell 20 fine dimmer	000 ⇄ 255	0–100%
130	173	218	261	Cell 20 red	000 ⇄ 255	0–100%
131	174	219	262	Cell 20 green	000 ⇄ 255	0–100%
132	175	220	263	Cell 20 blue	000 ⇄ 255	0–100%
-	176	-	264	Cell 20 white	000 ⇄ 255	0–100%
-	-	221	265	Cell 21 dimmer	000 ⇄ 255	0–100%
-	-	222	266	Cell 21 fine dimmer	000 ⇄ 255	0–100%
133	177	223	267	Cell 21 red	000 ⇄ 255	0–100%
134	178	224	268	Cell 21 green	000 ⇄ 255	0–100%
135	179	225	269	Cell 21 blue	000 ⇄ 255	0–100%
-	180	-	270	Cell 21 white	000 ⇄ 255	0–100%
-	-	226	271	Cell 22 dimmer	000 ⇄ 255	0–100%
-	-	227	272	Cell 22 fine dimmer	000 ⇄ 255	0–100%
136	181	228	273	Cell 22 red	000 ⇄ 255	0–100%
137	182	229	274	Cell 22 green	000 ⇄ 255	0–100%
138	183	230	275	Cell 22 blue	000 ⇄ 255	0–100%
-	184	-	276	Cell 22 white	000 ⇄ 255	0–100%
-	-	231	277	Cell 23 dimmer	000 ⇄ 255	0–100%
-	-	232	278	Cell 23 fine dimmer	000 ⇄ 255	0–100%
139	185	233	279	Cell 23 red	000 ⇄ 255	0–100%
140	186	234	280	Cell 23 green	000 ⇄ 255	0–100%
141	187	235	281	Cell 23 blue	000 ⇄ 255	0–100%

Operation

144	192	240	288	Function	Value	Percent/Setting
-	188	-	282	Cell 23 white	000 ⇄ 255	0-100%
-	-	236	283	Cell 24 dimmer	000 ⇄ 255	0-100%
-	-	237	284	Cell 24 fine dimmer	000 ⇄ 255	0-100%
142	189	238	285	Cell 24 red	000 ⇄ 255	0-100%
143	190	239	286	Cell 24 green	000 ⇄ 255	0-100%
144	191	240	287	Cell 24 blue	000 ⇄ 255	0-100%
-	192	-	288	Cell 24 white	000 ⇄ 255	0-100%

Multi-Layer Control Pixels Modes

72	96	120	144	Function	Value	Percent/Setting
-	-	1	1	Dot/Cell 1 dimmer	000 ⇄ 255	0-100%
-	-	2	2	Dot/Cell 1 fine dimmer	000 ⇄ 255	0-100%
1	1	3	3	Dot/Cell 1 red	000 ⇄ 255	0-100%
2	2	4	4	Dot/Cell 1 green	000 ⇄ 255	0-100%
3	3	5	5	Dot/Cell 1 blue	000 ⇄ 255	0-100%
-	4	-	6	Dot/Cell 1 white	000 ⇄ 255	0-100%
-	-	6	7	Dot/Cell 2 dimmer	000 ⇄ 255	0-100%
-	-	7	8	Dot/Cell 2 fine dimmer	000 ⇄ 255	0-100%
4	5	8	9	Dot/Cell 2 red	000 ⇄ 255	0-100%
5	6	9	10	Dot/Cell 2 green	000 ⇄ 255	0-100%
6	7	10	11	Dot/Cell 2 blue	000 ⇄ 255	0-100%
-	8	-	12	Dot/Cell 2 white	000 ⇄ 255	0-100%
-	-	11	13	Dot/Cell 3 dimmer	000 ⇄ 255	0-100%
-	-	12	14	Dot/Cell 3 fine dimmer	000 ⇄ 255	0-100%
7	9	13	15	Dot/Cell 3 red	000 ⇄ 255	0-100%
8	10	14	16	Dot/Cell 3 green	000 ⇄ 255	0-100%
9	11	15	17	Dot/Cell 3 blue	000 ⇄ 255	0-100%
-	12	-	18	Dot/Cell 3 white	000 ⇄ 255	0-100%
-	-	16	19	Dot/Cell 4 dimmer	000 ⇄ 255	0-100%
-	-	17	20	Dot/Cell 4 fine dimmer	000 ⇄ 255	0-100%
10	13	18	21	Dot/Cell 4 red	000 ⇄ 255	0-100%
11	14	19	22	Dot/Cell 4 green	000 ⇄ 255	0-100%
12	15	20	23	Dot/Cell 4 blue	000 ⇄ 255	0-100%
-	16	-	24	Dot/Cell 4 white	000 ⇄ 255	0-100%
-	-	21	25	Dot/Cell 5 dimmer	000 ⇄ 255	0-100%
-	-	22	26	Dot/Cell 5 fine dimmer	000 ⇄ 255	0-100%
13	17	23	27	Dot/Cell 5 red	000 ⇄ 255	0-100%
14	18	24	28	Dot/Cell 5 green	000 ⇄ 255	0-100%
15	19	25	29	Dot/Cell 5 blue	000 ⇄ 255	0-100%
-	20	-	30	Dot/Cell 5 white	000 ⇄ 255	0-100%
-	-	26	31	Dot/Cell 6 dimmer	000 ⇄ 255	0-100%
-	-	27	32	Dot/Cell 6 fine dimmer	000 ⇄ 255	0-100%
16	21	28	33	Dot/Cell 6 red	000 ⇄ 255	0-100%
17	22	29	34	Dot/Cell 6 green	000 ⇄ 255	0-100%
18	23	30	35	Dot/Cell 6 blue	000 ⇄ 255	0-100%
-	24	-	36	Dot/Cell 6 white	000 ⇄ 255	0-100%

72	96	120	144	Function	Value	Percent/Setting
-	-	31	37	Dot/Cell 7 dimmer	000 ⇄ 255	0–100%
-	-	32	38	Dot/Cell 7 fine dimmer	000 ⇄ 255	0–100%
19	25	33	39	Dot/Cell 7 red	000 ⇄ 255	0–100%
20	26	34	40	Dot/Cell 7 green	000 ⇄ 255	0–100%
21	27	35	41	Dot/Cell 7 blue	000 ⇄ 255	0–100%
-	28	-	42	Dot/Cell 7 white	000 ⇄ 255	0–100%
-	-	36	43	Dot/Cell 8 dimmer	000 ⇄ 255	0–100%
-	-	37	44	Dot/Cell 8 fine dimmer	000 ⇄ 255	0–100%
22	29	38	45	Dot/Cell 8 red	000 ⇄ 255	0–100%
23	30	39	46	Dot/Cell 8 green	000 ⇄ 255	0–100%
24	31	40	47	Dot/Cell 8 blue	000 ⇄ 255	0–100%
-	32	-	48	Dot/Cell 8 white	000 ⇄ 255	0–100%
-	-	41	49	Dot/Cell 9 dimmer	000 ⇄ 255	0–100%
-	-	42	50	Dot/Cell 9 fine dimmer	000 ⇄ 255	0–100%
25	33	43	51	Dot/Cell 9 red	000 ⇄ 255	0–100%
26	34	44	52	Dot/Cell 9 green	000 ⇄ 255	0–100%
27	35	45	53	Dot/Cell 9 blue	000 ⇄ 255	0–100%
-	36	-	54	Dot/Cell 9 white	000 ⇄ 255	0–100%
-	-	46	55	Dot/Cell 10 dimmer	000 ⇄ 255	0–100%
-	-	47	56	Dot/Cell 10 fine dimmer	000 ⇄ 255	0–100%
28	37	48	57	Dot/Cell 10 red	000 ⇄ 255	0–100%
29	38	49	58	Dot/Cell 10 green	000 ⇄ 255	0–100%
30	39	50	59	Dot/Cell 10 blue	000 ⇄ 255	0–100%
-	40	-	60	Dot/Cell 10 white	000 ⇄ 255	0–100%
-	-	51	61	Dot/Cell 11 dimmer	000 ⇄ 255	0–100%
-	-	52	62	Dot/Cell 11 fine dimmer	000 ⇄ 255	0–100%
31	41	53	63	Dot/Cell 11 red	000 ⇄ 255	0–100%
32	42	54	64	Dot/Cell 11 green	000 ⇄ 255	0–100%
33	43	55	65	Dot/Cell 11 blue	000 ⇄ 255	0–100%
-	44	-	66	Dot/Cell 11 white	000 ⇄ 255	0–100%
-	-	56	67	Dot/Cell 12 dimmer	000 ⇄ 255	0–100%
-	-	57	68	Dot/Cell 12 fine dimmer	000 ⇄ 255	0–100%
34	45	58	69	Dot/Cell 12 red	000 ⇄ 255	0–100%
35	46	59	70	Dot/Cell 12 green	000 ⇄ 255	0–100%
36	47	60	71	Dot/Cell 12 blue	000 ⇄ 255	0–100%
-	48	-	72	Dot/Cell 12 white	000 ⇄ 255	0–100%
-	-	61	73	Dot/Cell 13 dimmer	000 ⇄ 255	0–100%
-	-	62	74	Dot/Cell 13 fine dimmer	000 ⇄ 255	0–100%
37	49	63	75	Dot/Cell 13 red	000 ⇄ 255	0–100%
38	50	64	76	Dot/Cell 13 green	000 ⇄ 255	0–100%
39	51	65	77	Dot/Cell 13 blue	000 ⇄ 255	0–100%
-	52	-	78	Dot/Cell 13 white	000 ⇄ 255	0–100%
-	-	66	79	Dot/Cell 14 dimmer	000 ⇄ 255	0–100%
-	-	67	80	Dot/Cell 14 fine dimmer	000 ⇄ 255	0–100%
40	53	68	81	Dot/Cell 14 red	000 ⇄ 255	0–100%
41	54	69	82	Dot/Cell 14 green	000 ⇄ 255	0–100%
42	55	70	83	Dot/Cell 14 blue	000 ⇄ 255	0–100%

Operation

72	96	120	144	Function	Value	Percent/Setting
-	56	-	84	Dot/Cell 15 white	000 ⇄ 255	0–100%
-	-	71	85	Dot/Cell 15 dimmer	000 ⇄ 255	0–100%
-	-	72	86	Dot/Cell 15 fine dimmer	000 ⇄ 255	0–100%
43	57	73	87	Dot/Cell 15 red	000 ⇄ 255	0–100%
44	58	74	88	Dot/Cell 15 green	000 ⇄ 255	0–100%
45	59	75	89	Dot/Cell 15 blue	000 ⇄ 255	0–100%
-	60	-	90	Dot/Cell 15 white	000 ⇄ 255	0–100%
-	-	76	91	Dot/Cell 16 dimmer	000 ⇄ 255	0–100%
-	-	77	92	Dot/Cell 16 fine dimmer	000 ⇄ 255	0–100%
46	61	78	93	Dot/Cell 16 red	000 ⇄ 255	0–100%
47	62	79	94	Dot/Cell 16 green	000 ⇄ 255	0–100%
48	63	80	95	Dot/Cell 16 blue	000 ⇄ 255	0–100%
-	64	-	96	Dot/Cell 16 white	000 ⇄ 255	0–100%
-	-	81	97	Dot/Cell 17 dimmer	000 ⇄ 255	0–100%
-	-	82	98	Dot/Cell 17 fine dimmer	000 ⇄ 255	0–100%
49	65	83	99	Dot/Cell 17 red	000 ⇄ 255	0–100%
50	66	84	100	Dot/Cell 17 green	000 ⇄ 255	0–100%
51	67	85	101	Dot/Cell 17 blue	000 ⇄ 255	0–100%
-	68	-	102	Dot/Cell 17 white	000 ⇄ 255	0–100%
-	-	86	103	Dot/Cell 18 dimmer	000 ⇄ 255	0–100%
-	-	87	104	Dot/Cell 18 fine dimmer	000 ⇄ 255	0–100%
52	69	88	105	Dot/Cell 18 red	000 ⇄ 255	0–100%
53	70	89	106	Dot/Cell 18 green	000 ⇄ 255	0–100%
54	71	90	107	Dot/Cell 18 blue	000 ⇄ 255	0–100%
-	72	-	108	Dot/Cell 18 white	000 ⇄ 255	0–100%
-	-	91	109	Dot/Cell 19 dimmer	000 ⇄ 255	0–100%
-	-	92	110	Dot/Cell 19 fine dimmer	000 ⇄ 255	0–100%
55	73	93	111	Dot/Cell 19 red	000 ⇄ 255	0–100%
56	74	94	112	Dot/Cell 19 green	000 ⇄ 255	0–100%
57	75	95	113	Dot/Cell 19 blue	000 ⇄ 255	0–100%
-	76	-	114	Dot/Cell 19 white	000 ⇄ 255	0–100%
-	-	96	115	Dot/Cell 20 dimmer	000 ⇄ 255	0–100%
-	-	97	116	Dot/Cell 20 fine dimmer	000 ⇄ 255	0–100%
58	77	98	117	Dot/Cell 20 red	000 ⇄ 255	0–100%
59	78	99	118	Dot/Cell 20 green	000 ⇄ 255	0–100%
60	79	100	119	Dot/Cell 20 blue	000 ⇄ 255	0–100%
-	80	-	120	Dot/Cell 20 white	000 ⇄ 255	0–100%
-	-	101	121	Dot/Cell 21 dimmer	000 ⇄ 255	0–100%
-	-	102	122	Dot/Cell 21 fine dimmer	000 ⇄ 255	0–100%
61	81	103	123	Dot/Cell 21 red	000 ⇄ 255	0–100%
62	82	104	124	Dot/Cell 21 green	000 ⇄ 255	0–100%
63	83	105	125	Dot/Cell 21 blue	000 ⇄ 255	0–100%
-	84	-	126	Dot/Cell 21 white	000 ⇄ 255	0–100%
-	-	106	127	Dot/Cell 22 dimmer	000 ⇄ 255	0–100%
-	-	107	128	Dot/Cell 22 fine dimmer	000 ⇄ 255	0–100%
64	85	108	129	Dot/Cell 22 red	000 ⇄ 255	0–100%
65	86	109	130	Dot/Cell 22 green	000 ⇄ 255	0–100%

72	96	120	144	Function	Value	Percent/Setting
66	87	110	131	Dot/Cell 22 blue	000 ⇔ 255	0–100%
–	88	–	132	Dot/Cell 22 white	000 ⇔ 255	0–100%
–	–	111	133	Dot/Cell 23 dimmer	000 ⇔ 255	0–100%
–	–	112	134	Dot/Cell 23 fine dimmer	000 ⇔ 255	0–100%
67	89	113	135	Dot/Cell 23 red	000 ⇔ 255	0–100%
68	90	114	136	Dot/Cell 23 green	000 ⇔ 255	0–100%
69	91	115	137	Dot/Cell 23 blue	000 ⇔ 255	0–100%
–	92	–	138	Dot/Cell 23 white	000 ⇔ 255	0–100%
–	–	116	139	Dot/Cell 24 dimmer	000 ⇔ 255	0–100%
–	–	117	140	Dot/Cell 24 fine dimmer	000 ⇔ 255	0–100%
70	93	118	141	Dot/Cell 24 red	000 ⇔ 255	0–100%
71	94	119	142	Dot/Cell 24 green	000 ⇔ 255	0–100%
72	95	120	143	Dot/Cell 24 blue	000 ⇔ 255	0–100%
–	96	–	144	Dot/Cell 24 white	000 ⇔ 255	0–100%

Standalone Configuration

Static Mode

Fixed Color

To select a fixed color:

1. Go to the **Static** main level.
2. Select the **Fixed Color** option.
3. Select the **Fixed Dot** or **Fixed Cell** option.
4. Select the desired static color, from **R, G, B, W, RG, RB, RW, GB, GW, BW, RGB, RGW, RBW, GBW, or RGBW**.

Manual Color Mixer

To manually mix a custom static color:

1. Go to the **Static** main level.
2. Select the **Manual Color Mixer** option.
3. Select the **Dot Mixer** or **Cell Mixer** option.
4. Select the color to edit (**Red, Green, Blue, or White**).
5. Set the value for the selected color (**000–255**).
6. Repeat steps 2 through 5 until the product outputs as desired.

Static Mode Strobe

To set a strobe in static mode:

1. Go to the **Static** main level.
2. Select the **Flash Settings** option.
3. Select the **Dot Flash** or **Cell Flash** option.
4. Select the **Flash Duration** (how long each strobe lasts) or **Flash Rate** (how quickly it strobes) option.
5. Set the selected value (**000–255**).

Standalone Dimmer

To set the dimmer values in static mode:

1. Go to the **Static** main level.
2. Select the **Intensity Settings** option.
3. Select which dimmer value to set, from **Dot Intensity** or **Cell Intensity**.
4. Set the selected dimmer value (**000–255**).

Operation

Effect Macros

To select an effect macro:

1. Go to the **Effect Macros** main level.
2. Select the **Dot Effect Macros** or **Cell Effect Macros** option.
3. Select the desired macro, from **Color Chase**, **Police Car**, **Firetruck**, **Fire**, **Clouds**, **Fireworks**, **Paparazzi**, or **Lightning**.
4. Set the speed (**001–255**).

E-Frost

To set the e-frost level manually through the display menu:

1. Go to the **Frost** main level.
2. Set the **Frost** value (**000–255**).

Settings Configuration

Tilt Settings

Manual Tilt

To set the tilt manually through the display menu:

1. Go to the **Tilt Settings** main level.
2. Select the **Tilt** option.
3. Set the tilt level (**000–255**).

Tilt Offset

To set an offset for the tilt:

1. Go to the **Tilt Settings** main level.
2. Select the **Tilt Offset** option.
3. Set the tilt offset (**000–255**).

Tilt Invert

To reverse the direction of the tilt:

1. Go to the **Tilt Settings** main level.
2. Select the **Tilt Invert** option.
3. Select **No** (do not invert) or **Yes** (invert).

Disable Tilt

To disable the tilt function:

1. Go to the **Tilt Settings** main level.
2. Select the **Tilt Disable** option.
3. Select **No** (enable/do not disable) or **Yes** (disable).

Legacy Tilt

To match the tilt speed of a Color STRIKE M:

1. Go to the **Tilt Settings** main level.
2. Select the **Tilt Legacy** option.
3. Select **No** (keep normal tilt speed) or **Yes** (match Color STRIKE M tilt speed).

Master/Slave

To set the STRIKE V product to master or slave mode:

1. Go to the **Master/Slave** main level.
2. Select from **Master** (sends control signal) or **Slave** (receives control signal).



- **Configure all the slave products before connecting the master to the daisy chain.**
- **Never connect a DMX controller to a DMX string configured for Master/Slave operation because the controller may interfere with the signals from the master.**
- **Do not connect more than 31 slaves to the master.**

DMX Loss

To select how the product will respond to a loss of the control signal:

1. Go to the **DMX Loss** main level.
2. Select the **Hold Last** (holds last signal received) or **Blackout** (blacks out fixture) option.

Test Mode

Auto Test

To have the STRIKE V automatically test all functions one after the other:

1. Go to the **Test** main level.
2. Select the **Auto Test** option.

Manual Test

To manually test an individual function of the STRIKE V:

1. Go to the **Test** main level.
2. Select the **Manual Test** option.
3. Select a function to test, from **Tilt**, **Tilt Fine**, **Frost**, **Dot Dim**, **Dot Dim Fine**, **Cell Dim**, **Cell Dim Fine**, **Dot Flash Dur** (duration), **Dot Flash Rate**, **Cell Flash Du** (duration), **Cell Flash Ra** (rate), **Dot Strobe Ef** (effect), **Cell Strobe E** (effect), **CTC**, **Dot FX Select**, **Dot S & Dir** (speed and direction), **Dot FX Cross**, **Cell FX Selec**, **Cell S & Dir** (speed and direction), **Cell FX Cross**, **Control**, **Dot Red**, **Dot Green**, **Dot Blue**, **Dot White**, **Cell R**, **Cell Green**, **Cell Blue**, or **Cell White**.
4. Increase or decrease the value of the selected function from **000–255** to test it.

Dimmer Speed Mode

To set the dimmer speed:

1. Go to the **Dimmer Mode** main level.
2. Select the dimmer speed mode from **Off** (instant), **Dimmer 1** (fastest), **Dimmer 2**, or **Dimmer 3** (slowest).

Dimmer Curve

To set the dimmer curve:

1. Go to the **Dimmer Curve** main level.
2. Select from **Linear**, **Square**, **Inverse Square**, or **S Curve**.

Color Calibration

To configure the color calibration:

1. Go to the **Color Calibration** main level.
2. Select from the **Off**, **User Calibration**, or **Factory Calibration** option.
3. If **User Calibration**, select the **Dot Calibration** or **Cell Calibration** option.
4. Select the maximum color value to edit, from **Red**, **Green**, **Blue**, or **White**.
5. Set the maximum level for the selected color, from **125–255**.
6. Repeat steps 3–4 until the colors are calibrated as desired.

Pulse Width Modulation

To set the frequency of the pulse width modulation:

1. Go to the **LED Frequency** main level.
2. Select the PWM frequency, from **1000Hz**, **2000Hz**, **4000Hz**, **6000Hz**, **25KHz**, or **64KHz**.

Pixel Invert

To reverse the direction of the dot or cell pixels:

1. Go to the **Pixel Invert** main level.
2. Select the **Dot Invert** or **Cell Invert** option.
3. Select **No** (keep normal direction) or **Yes** (reverse selected direction).

Fan Mode

To set the fan mode:

1. Go to the **Fan Mode** main level.
2. Select the fan mode, from **Auto** (adjusts to product temperature), **On** (always on), or **Silent** (silent mode).

Display Invert

To invert the display:

1. Go to the **Display Invert** main level.
2. Select from **No** (does not invert the display) or **Yes** (inverts the display).

Operation

Display Backlight

To set how long the display will stay lit without activity:

1. Go to the **Back Light** main level.
2. Select from **10S** (10 seconds), **30S** (30 seconds), **2Min** (2 minutes), or **Always On**.

Information

To view product information, such as the number of hours the product has been on, the driver firmware, etc., go to the **Information** main level.

Factory Reset

To reset the product to factory default settings:

1. Go to the **Factory Reset** main level.
2. Select **No** (do not reset) or **Yes** (reset).

Web Server

The STRIKE V Web Server can be accessed by any computer on the same network as the product. It allows network access to system information, settings such as control protocol and starting address, color output testing, and the ability to change the Web Server password.

1. Connect the product to a Windows computer with a network cable.
2. On the computer, set the IP address of the new network to have the same first 3 digits as the IP address of the product (See [Network Setup](#)).
3. Enter the IP address of the product into the URL bar of a web browser on the computer.
4. Enter both the User Name and Password as **admin** to log in.

Home

The Web Server Home page displays the details of all available control personalities and the technical specifications for the STRIKE V.

Settings

The Web Server Settings page provides options for control. From the drop-down menus, the Protocol, Universe, Start Address, IP Address, Ethernet to DMX, Personality, Dimmer Curve, Dimmer Mode, and PWM Frequency can all be edited. Click **Save Settings** to send the new configuration to the product.

Output

On the Web Server Output page, an output test of the product's LEDs can be performed, by either editing the values of each LED manually (by typing the number or moving the fader), or by selecting a sample color. The page will show the current output color on the bottom left.

Security

The Web Server Security page gives the option to change the password to the connected product's web server. Enter the old password (**admin**, by default) and the new password twice, then click **Save Settings** to change the password.

Error Codes

See the table below for error codes and recommended solutions:

Error Code	Possible Reason	Potential Solution
CTR1-Y Err	The Tilt driver PCB is damaged	Replace the tilt driver board
	CTR1 software upload failed	Re-upload the CTR1 software
CTR2-LEDA Err	The LED A driver PCB is damaged	Replace the LED A driver PCB
	CTR2 software upload failed	Re-upload the CTR2 software
CTR3-LEDB Err	The LED B driver PCB is damaged	Replace the LED B driver PCB
	CTR3 software upload failed	Re-upload the CTR3 software
Tilt Reset Err	The Hall Sensor PCB is damaged	Replace the Hall Sensor PCB
	The Tilt driver PCB is damaged	Replace the Tilt driver PDB
Tilt Encode Error	The Hall Sensor PCB is damaged	Replace the Hall Sensor PCB
	Magnet fell off or was improperly installed	Re-install the magnet
	The Tilt driver PCB is damaged	Replace the Tilt driver PDB
LedA_1T Err	The temperature control wire #1 is disconnected or has a poor connection	Check the wire connection
	The LED A driver PCB is damaged	Replace the LED A driver PCB
LedA_2T Err	The temperature control wire #2 is disconnected or has a poor connection	Check the wire connection
	The LED A driver PCB is damaged	Replace the LED A driver PCB
LedA_3T Err	The temperature control wire #3 is disconnected or has a poor connection	Check the wire connection
	The LED A driver PCB is damaged	Replace the LED A driver PCB
LedB_1T Err	The temperature control wire #1 is disconnected or has a poor connection	Check the wire connection
	The LED B driver PCB is damaged	Replace the LED B driver PCB
LedB_2T Err	The temperature control wire #2 is disconnected or has a poor connection	Check the wire connection
	The LED B driver PCB is damaged	Replace the LED B driver PCB
LedB_3T Err	The temperature control wire #3 is disconnected or has a poor connection	Check the wire connection
	The LED B driver PCB is damaged	Replace the LED B driver PCB
LedA_Calibration	The LED A driver PCB needs calibration	Re-calibrate the LED A driver PCB
	The LED A driver PCB is damaged	Replace the LED A driver PCB
LedB_Calibration	The LED B driver PCB needs calibration	Re-calibrate the LED B driver PCB
	The LED B driver PCB is damaged	Replace the LED B driver PCB
No such file!	USB has poor connection	Replug the USB
	USB internal wires have poor connection	Change the USB
	No upgrade file in the USB	Check the files in the USB

5. Maintenance

Product Maintenance

Dust build-up reduces light output performance and can cause overheating. This can lead to reduction of the light source's life and/or mechanical wear. To maintain optimum performance and minimize wear, clean each lighting product at least twice a month. However, be aware that usage and environmental conditions could be contributing factors to increase the cleaning frequency.

To clean the product, follow the instructions below:

1. Unplug the product from power.
2. Wait until the product is at room temperature.
3. Use a vacuum (or dry compressed air) and a soft brush to remove dust collected on the external surface/vents.
4. Clean all transparent surfaces with a mild soap solution, ammonia-free glass cleaner, or isopropyl alcohol.
5. Apply the solution directly to a soft, lint free cotton cloth or a lens cleaning tissue.
6. Softly drag any dirt or grime to the outside of the transparent surface.
7. Gently polish the transparent surfaces until they are free of haze and lint.



Always dry the transparent surfaces carefully after cleaning them.



Do not spin the cooling fans with compressed air. Damage may result.

Torque Measurements

To maintain the IP rating when reassembling the product, use the given torque measurements for each of the following screws and bolts:

Fixture Parts	Torque Rating (Kgf.cm)	Torque Rating (lbf.in)
Top and read cover	9.6	8.33
DMX and Ethernet connectors	5.1	4.42
Power connector	5.4	4.68

Vacuum Test Measurements

Use the IP Tester from Chauvet Professional to ensure the product has been reassembled correctly by following the information below:

Parameters	Values
Method	Positive
Fill time	30 seconds
Test pressure	40 kPa
Test duration	60 seconds
PASS state leak pressure	<0.5 kPa

6. Technical Specifications

Dimensions and Weight

Length	Width	Height	Weight
16 in (407 mm)	7.3 in (187.4 mm)	12.2 in (310 mm)	36 lb (16.3 kg)

Note: Dimensions in inches are rounded.

Power

Power Supply Type	Range	Voltage Selection
Switching (internal)	100 to 240 VAC, 50/60 Hz	Auto-ranging

Parameter	100 V, 60 Hz	120 V, 60 Hz	208 V, 60 Hz	230 V, 50 Hz	240 V, 50 Hz
Consumption	747 W	747 W	719 W	717 W	717 W
Operating Current	7.54 A	6.20 A	3.63 A	3.28 A	3.17 A
Power Linking Current	12 A	12 A	12 A	12 A	12 A

Power I/O	U.S./Worldwide	UK/Europe
Power Input Connector	Seetronic Powerkon IP65	Seetronic Powerkon IP65
Power Output Connector	Seetronic Powerkon IP65	Seetronic Powerkon IP65
Power Cable plug	Edison	Local plug

Light Source

Type	Color	Quantity	Power	Current	Lifespan
LED (Dot)	Quad-color RGBW	24	6 W		50,000 hours
LED (Cell)	Quad-color RGBW	24	50 W		50,000 hours

Photometrics

Color Temperature Range	Color Temperature at Full
-------------------------	---------------------------

Parameter	Beam Angle	Field Angle	Lumens	Illuminance @ 5 m
Dot	105.7°	153.1°	1,912	29 lux
Dot with E-Frost	103.1°	155.6°	1,633	26 lux
Cell	9.9°	17.5°	17,127	16,789 lux
Cell with E-Frost	46.8°	117.2°	15,769	536 lux
Combined	9.9°	17.6°	19,589	16,779 lux
Combined with E-Frost	50.3°	125°	13,406	539 lux

Thermal

Maximum External Temperature	Cooling System
113 °F (45 °C)	Fan-assisted Convection

Control

DMX I/O Connector	Art-Net™/sACN I/O Connector	Channel Range
5-pin IP65 XLR	Seetronic Etherkon IP65	29, 222, 314; 30; 144, 192, 240, 288; 72, 96, 120, 144; 72, 96, 120, 144

Ordering

Product Name	Item Name	Item Code	UPC Number
STRIKE V	STRIKEV	03012637	781462229856



UL 1573
CSA C22.2 No. 166
E113093



RoHS



Contact Us

General Information	Technical Support
Chauvet World Headquarters	
Address: 3360 Davie Rd., Suite 509 Davie, FL 33314 Voice: (954) 577-4455 Fax: (954) 929-5560 Toll Free: (800) 762-1084	Voice: (844) 393-7575 Fax: (954) 756-8015 Email: chauvetcs@chauvetlighting.com Website: www.chauvetprofessional.com
Chauvet U.K.	
Address: Pod 1 EVO Park Little Oak Drive, Sherwood Park Nottinghamshire, NG15 0EB UK Voice: +44 (0) 1773 511115 Fax: +44 (0) 1773 511110	Email: UKtech@chauvetlighting.eu Website: www.chauvetprofessional.eu
Chauvet Benelux	
Address: Vaartlaan 9 9800 Deinze Belgium Voice: +32 9 388 93 97	Email: BNLtech@chauvetlighting.eu Website: www.chauvetprofessional.eu
Chauvet France	
Address: 3, Rue Ampère 91380 Chilly-Mazarin France Voice: +33 1 78 85 33 59	Email: FRtech@chauvetlighting.fr Website: www.chauvetprofessional.eu
Chauvet Germany	
Address: Bruno-Bürgel-Str. 11 28759 Bremen Germany Voice: +49 421 62 60 20	Email: DEtech@chauvetlighting.de Website: www.chauvetprofessional.eu
Chauvet Mexico	
Address: Av. de las Partidas 34 - 3B (Entrance by Calle 2) Zona Industrial Lerma Lerma, Edo. de México, CP 52000 Voice: +52 (728) 690-2010	Email: servicio@chauvet.com.mx Website: www.chauvetprofessional.mx

Warranty & Returns

For warranty terms and conditions and return information, please visit our website.

For customers in the United States and Mexico: www.chauvetlighting.com/warranty-registration.

For customers in the United Kingdom, Republic of Ireland, Belgium, the Netherlands, Luxembourg, France, and Germany: www.chauvetlighting.eu/warranty-registration.