

REMOTE AMP WITH ZONE SELECTOR



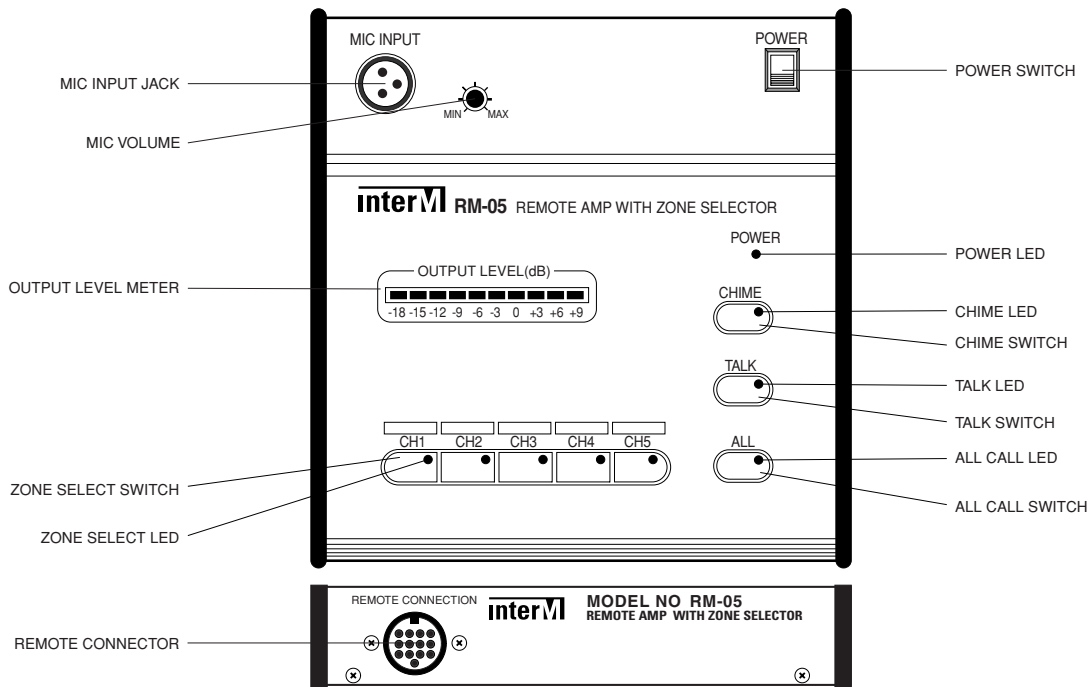
FEATURES

- **SPEAKER LINE CONTROL**
Speaker zone of PAM-240/360 can be control by RM-05.
- **ZONE CONTROL CIRCUITS**
Speaker zones can be selected individually by means of the CHANNEL switches or altogether using the ALL CALL switch.
- **ANNOUNCEMENTS BY MICROPHONE**
Unobtrusive and easy to use condenser type microphone which is highly sensitive and reproduces high clarity speech.
- **PRE-ANNOUNCEMENT CHIME**
A four tone chime is incorporated for pre-announcement purposes. It is initiated by pressing the CHIME switch.
- **LED OUTPUT LEVEL INDICATION**
The ten segment LED barograph display indicates the instantaneous signal output level of the amplifier.

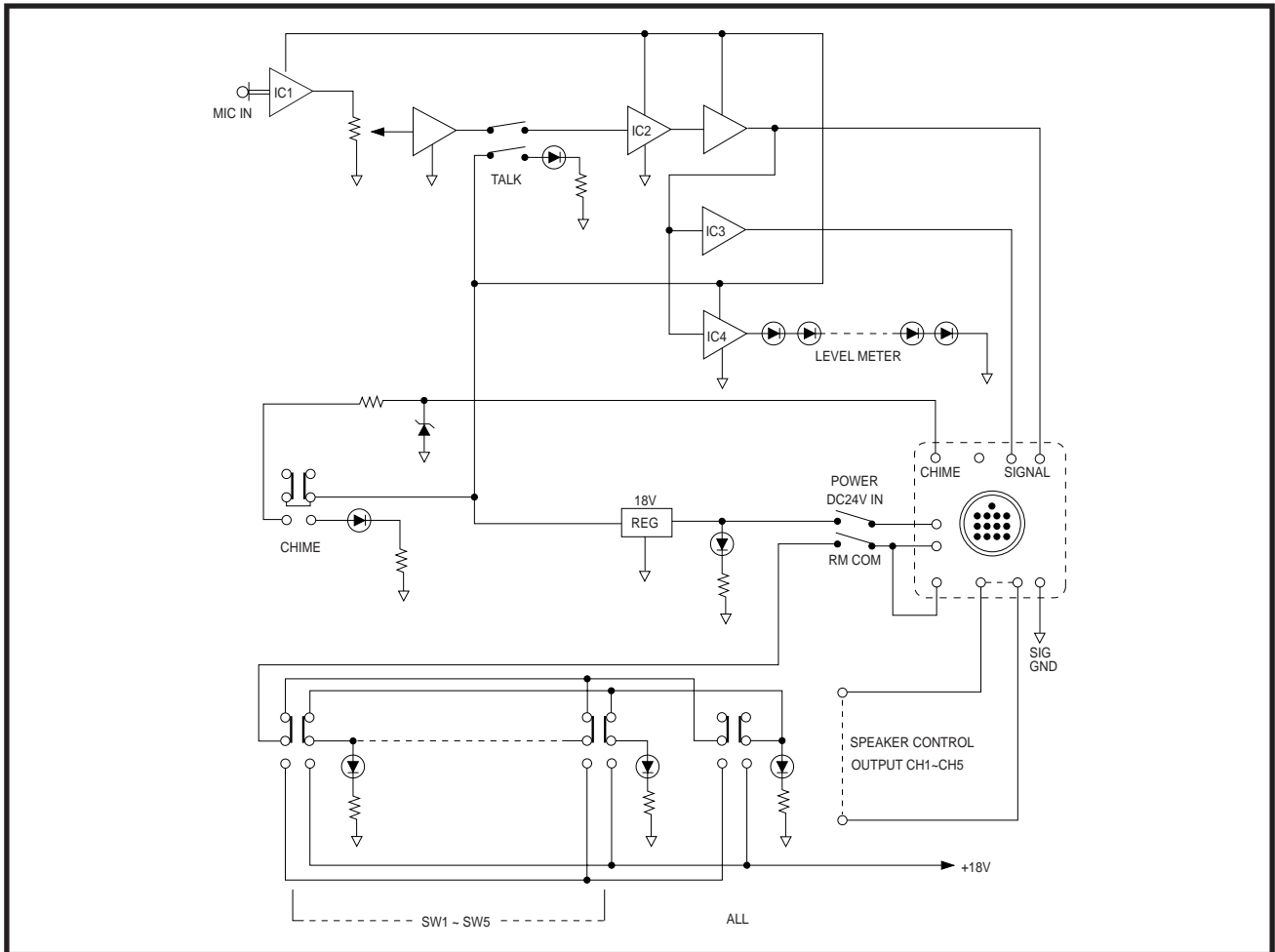
SPECIFICATIONS

- **ELECTRICAL** * 0dB=0.775Vrms
 - Output Level/Impedance+4dB(unit gain)/600Ω, BAL
 - MIC Input Sensitivity/Impedance.....-50dB/600Ω, BAL
 - Frequency Response20Hz~20kHz, -3dB
 - THDLess than 0.1%
 - S/NBetter than 65dB
 - Speaker Control Terminal & Switch5CH
- **MIC (CMC-01) Specifications**
 - TypeCondenser Microphone
 - Polar Pattern.....Unidirectional
 - Frequency Response100Hz~16,000Hz
 - Impedancemax 680Ω
 - Sensitivity(0dB=1V/0.1Pa at 1kHz)-47dB±3dB
 - Sensitivity Reduction.....with in -3dB at 1.0V
 - Current Consumptionmax 0.5mA
 - S/N.....more than 60dB
 - Standard Power SupplyDC 1.5V
 - Weight Goose Neck200g
- **GENERAL**
 - Power Source.....DC 24V(used by DIN connector)
 - Weight.....900g(Without Microphone)
 - Dimensions.....194(W)×60(H)×205(D)mm

RM-05



BLOCK DIAGRAM



interM

OFFICE : 653-5 BANGHAK-DONG, DOBONG-KU, SEOUL, KOREA TEL : 82-2-2289-8140~8, FAX : 82-2-2289-8149
 Home page : <http://www.inter-m.com> E-mail : export@inter-m.com

9047932310